



US00D616789S

(12) **United States Design Patent**
Huse

(10) **Patent No.:** **US D616,789 S**
(45) **Date of Patent:** **** Jun. 1, 2010**

(54) **DISPLAY TREE BRANCH**

(76) Inventor: **Art Huse**, 1013 N. Leeds, Kokomo, IN
(US) 46901

(**) Term: **14 Years**

(21) Appl. No.: **29/316,446**

(22) Filed: **Sep. 28, 2009**

(51) **LOC (9) Cl.** **11-04**

(52) **U.S. Cl.** **D11/130**

(58) **Field of Classification Search** D11/117,
D11/118, 120, 121, 125, 127, 130, 131, 157,
D11/158; 428/7, 8, 9, 10, 12, 17, 18, 19,
428/20, 21, 22, 23

See application file for complete search history.

(56) **References Cited**

U.S. PATENT DOCUMENTS

2,219,112	A	10/1940	Oday	
D143,745	S *	2/1946	Miller	D6/302
D166,528	S *	4/1952	Cole	D6/458
3,003,623	A *	10/1961	Paul et al.	206/577
3,167,467	A *	1/1965	Abramson	428/18
3,459,624	A *	8/1969	Reukauf et al.	428/18
3,463,696	A *	8/1969	Reukauf et al.	428/18
3,746,600	A *	7/1973	Circelli	428/8
D270,882	S *	10/1983	Wilson	D6/301
D276,055	S *	10/1984	Guertin	D21/337
5,115,921	A	5/1992	Lavelle	
D348,857	S *	7/1994	Aldrich	D11/130
D355,043	S *	1/1995	Sibley	D26/69
5,487,925	A	1/1996	Simmel et al.	
D403,212	S *	12/1998	Doret, Jr.	D7/600.2
D424,470	S *	5/2000	Koo	D11/130
D424,968	S	5/2000	Vargo	
D444,359	S *	7/2001	Levy	D7/704
D453,910	S *	2/2002	Jones, II	D11/157

D475,320	S *	6/2003	Hensley et al.	D11/157
D476,262	S *	6/2003	Hensley et al.	D11/157
D516,385	S *	3/2006	Franczyk	D7/610
D536,936	S *	2/2007	Tiemann	D7/704
D558,529	S *	1/2008	McDavitt et al.	D7/610
D558,530	S *	1/2008	McDavitt et al.	D7/610
2003/0099786	A1 *	5/2003	Wang	428/6
2005/0048226	A1 *	3/2005	Gary et al.	428/18

* cited by examiner

Primary Examiner—Stella M Reid

Assistant Examiner—Elizabeth J Oswecki

(74) *Attorney, Agent, or Firm*—Frank D Lachenmaier

(57) **CLAIM**

The ornamental design for a display tree branch, as shown and described.

DESCRIPTION

FIG. 1 is a perspective view of display branches shown on a Christmas tree in a used condition showing our new design;

FIG. 2 is an enlarged perspective view of a display branch with the mounting nuts and bolts removed showing my new design;

FIG. 3 is a top view thereof;

FIG. 4 is a front view thereof;

FIG. 5 is a back view thereof;

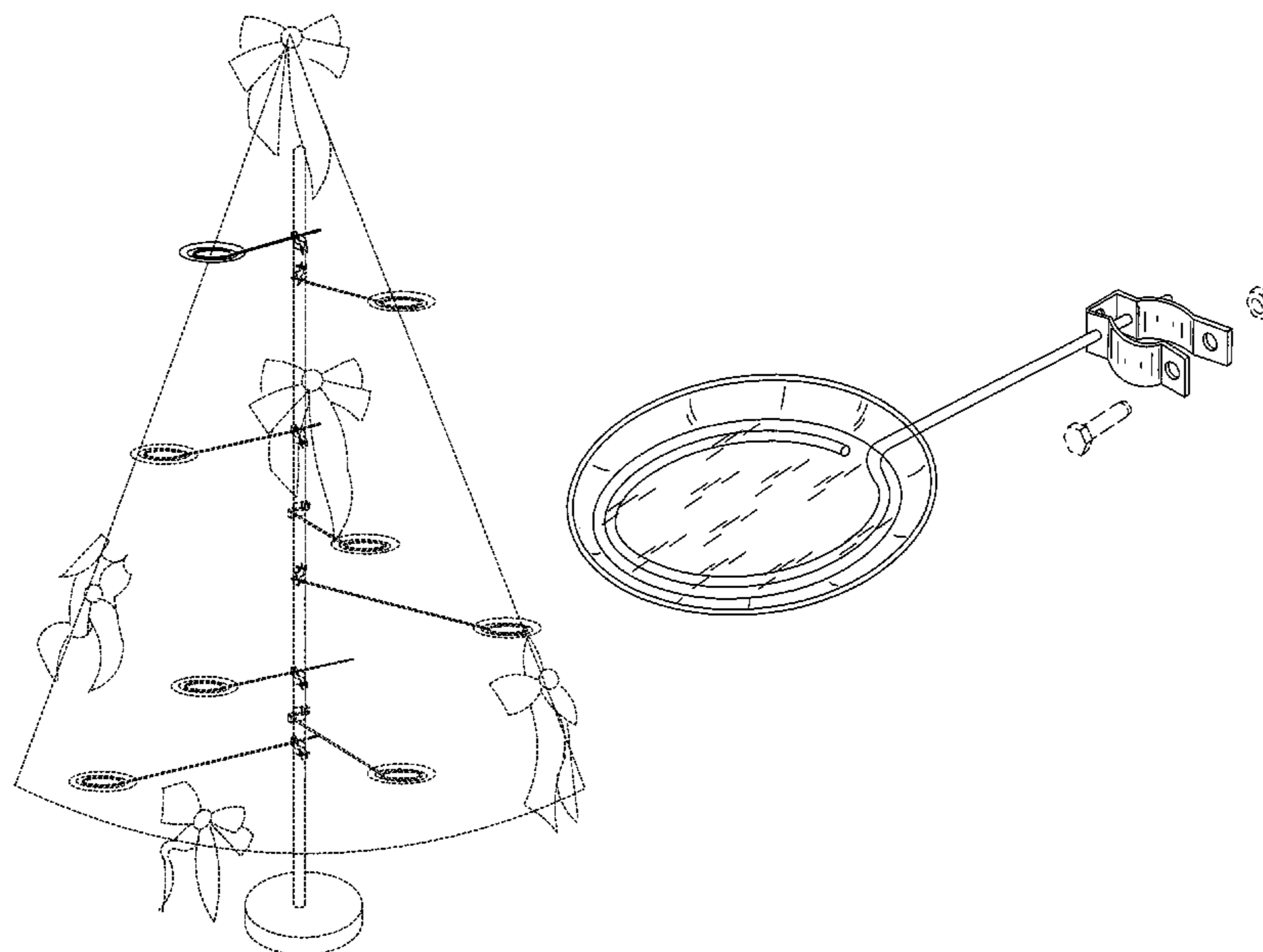
FIG. 6 is a bottom view thereof;

FIG. 7 is a right side view thereof; and,

FIG. 8 is a left side view thereof.

The tree, tree stand, mounting bolts, nuts and decorative bows shown in broken lines form no part of this invention and are shown for illustrative purposes only.

1 Claim, 4 Drawing Sheets



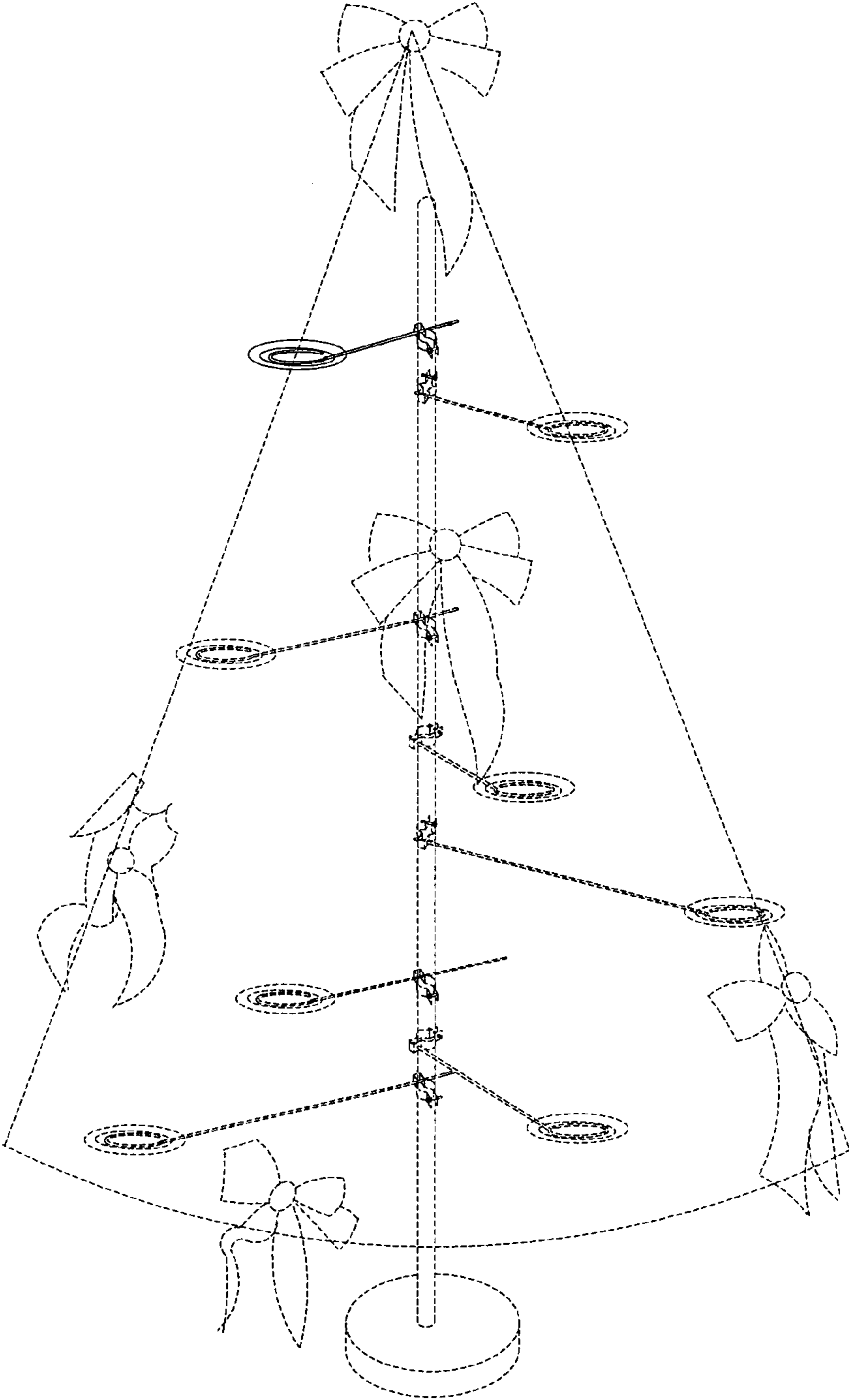


FIG 1

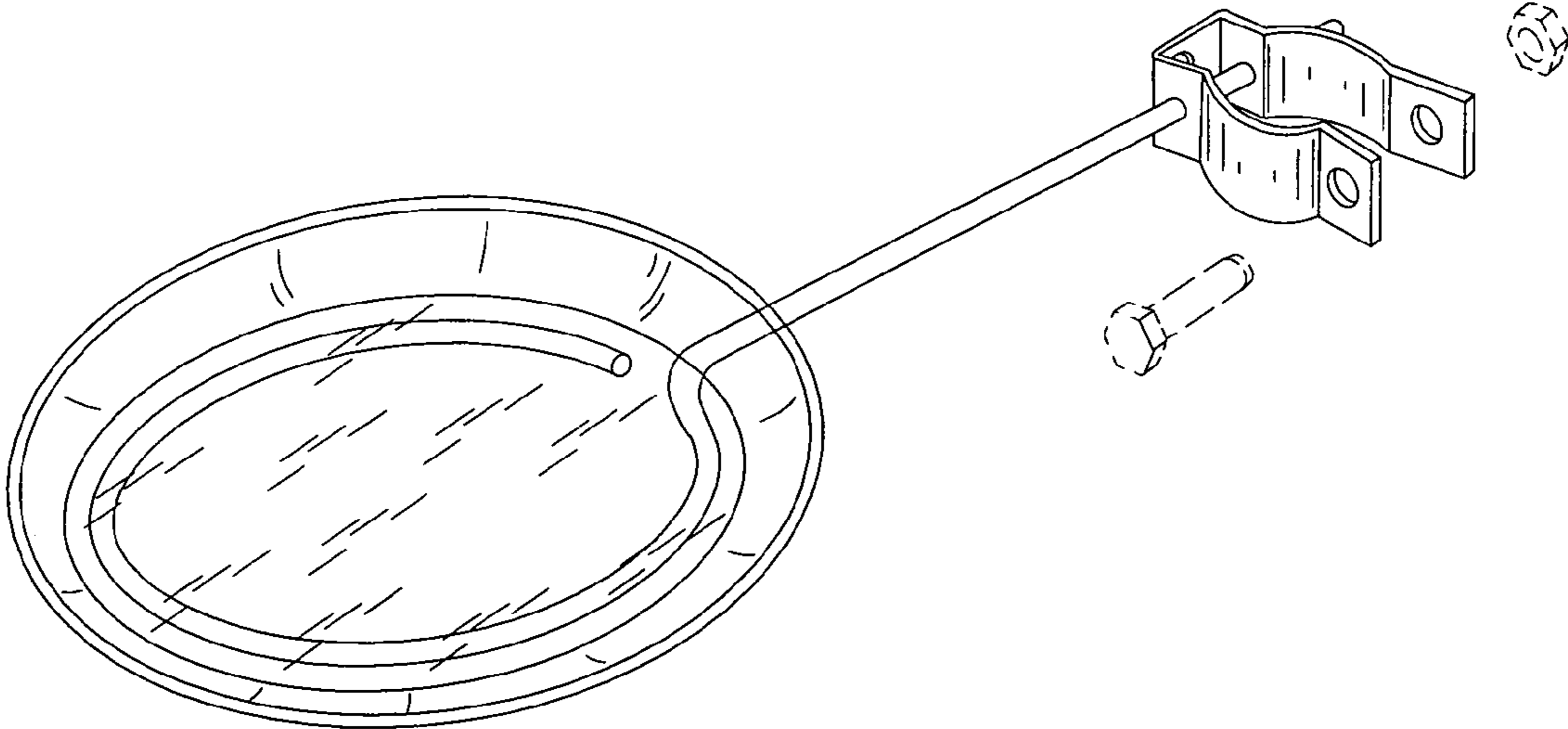


FIG 2

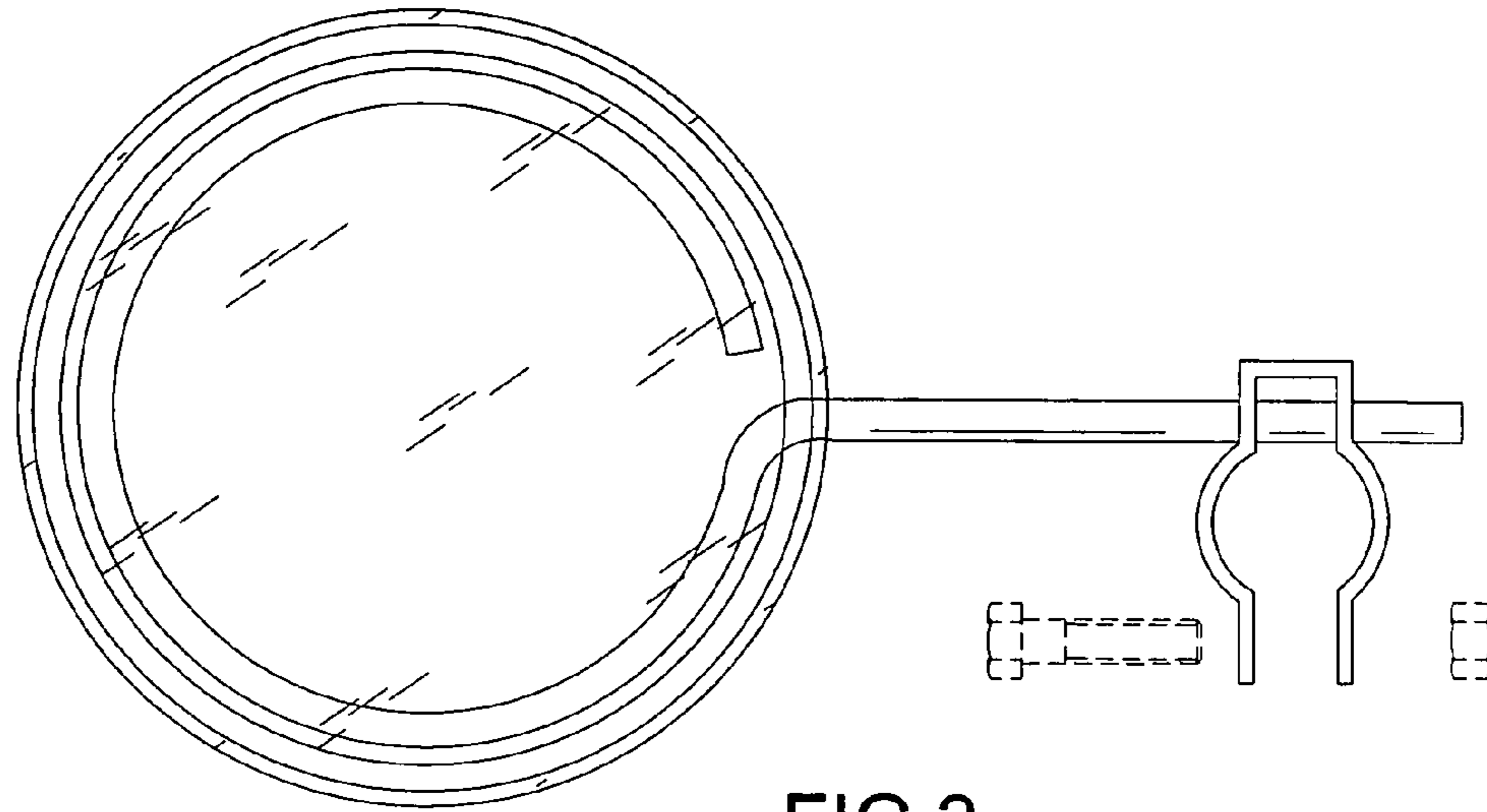


FIG 3

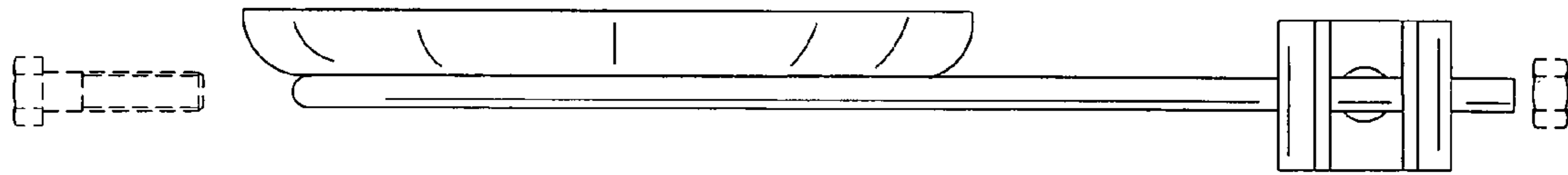


FIG 4

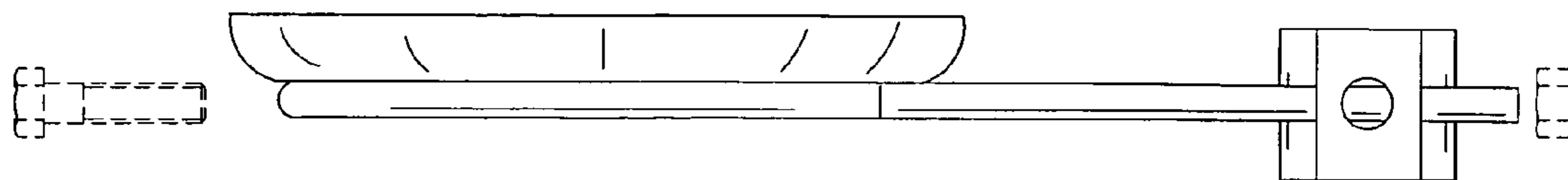


FIG 5

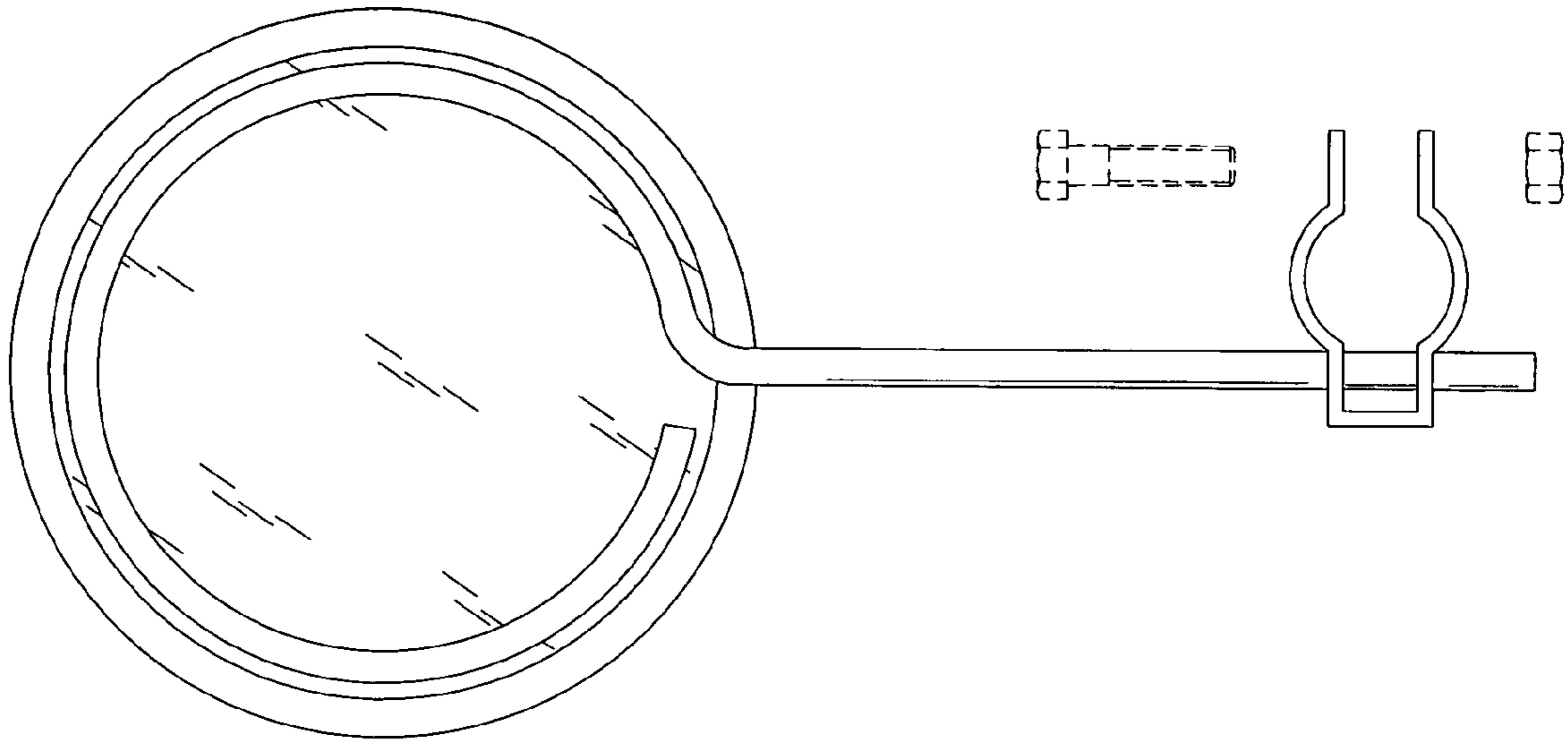


FIG 6

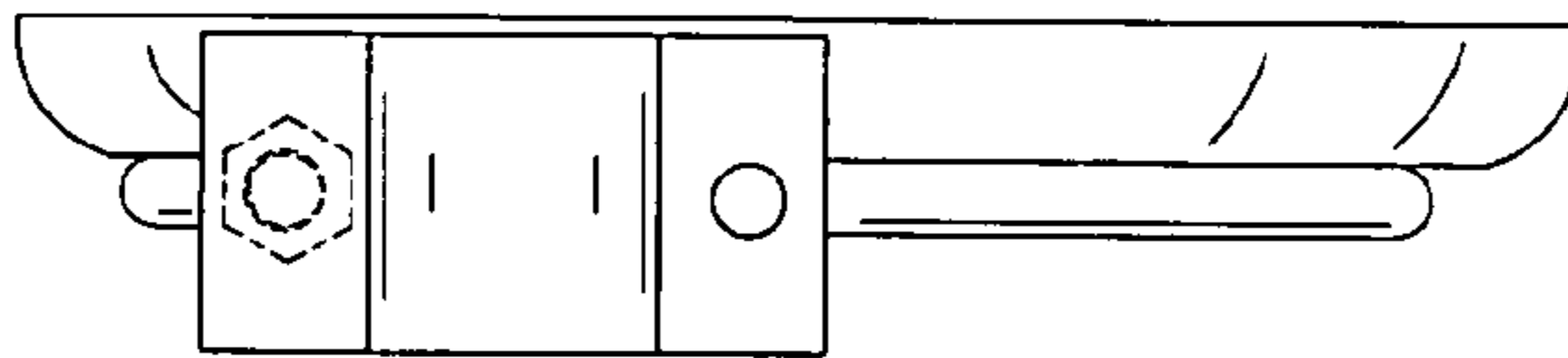


FIG 7

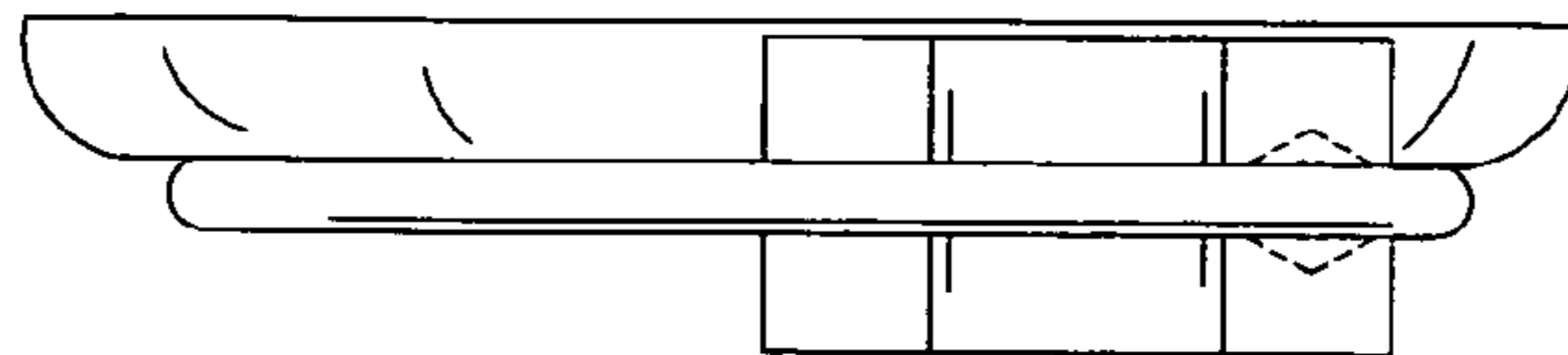


FIG 8