

US00D616783S

(12) **United States Design Patent**
Chastaingt

(10) **Patent No.:** **US D616,783 S**
(45) **Date of Patent:** **** Jun. 1, 2010**

(54) **CROWN GUARD**

(75) Inventor: **Arnaud Chastaingt**, Paris (FR)

(73) Assignee: **Cartier Creation Studio SA** (CH)

(**) Term: **14 Years**

(21) Appl. No.: **29/356,999**

(22) Filed: **Mar. 5, 2010**

(51) **LOC (9) Cl.** **10-07**

(52) **U.S. Cl.** **D10/128**

(58) **Field of Classification Search** D10/128,
D10/131, 132, 30-39; 368/288-290, 286,
368/276, 281, 282

See application file for complete search history.

(56) **References Cited**

U.S. PATENT DOCUMENTS

2,352,889	A	*	7/1944	Drescher	368/288
D195,421	S	*	6/1963	Hueguenin	D10/39
D385,803	S	*	11/1997	Hysek	D10/30
D387,997	S	*	12/1997	Dobashi	D10/30
D391,174	S	*	2/1998	Modolo	D10/32
D399,763	S	*	10/1998	Rabassa	D10/38
D400,110	S	*	10/1998	Polenberg	D10/39
D402,566	S	*	12/1998	Moriai	D10/30
D414,121	S	*	9/1999	Hanagata	D10/30
D415,043	S	*	10/1999	Fichter	D10/39
D418,427	S	*	1/2000	Fichter	D10/30
D428,345	S	*	7/2000	Chodat	D10/30
D430,807	S	*	9/2000	Moriai	D10/30
D436,319	S	*	1/2001	Giardiello	D10/39
D439,173	S	*	3/2001	Giardiello	D10/32
D443,529	S	*	6/2001	Oshita	D10/30

D451,406	S	*	12/2001	Giardiello	D10/32
D457,074	S	*	5/2002	Berri et al.	D10/30
D470,421	S	*	2/2003	Ramazzina	D10/30
D494,492	S	*	8/2004	Pibouleau	D10/128
D502,410	S	*	3/2005	Dias	D10/32
D554,536	S	*	11/2007	Tonohori et al.	D10/31
D569,276	S	*	5/2008	Scheufele	D10/39
D570,231	S	*	6/2008	Actis-Datta	D10/38
D583,258	S	*	12/2008	Calvani	D10/39
D590,277	S	*	4/2009	Wei	D10/38

* cited by examiner

Primary Examiner—Lucy Lieberman

(74) *Attorney, Agent, or Firm*—Galbreath Law Offices, P.C.;
John A. Galbreath

(57) **CLAIM**

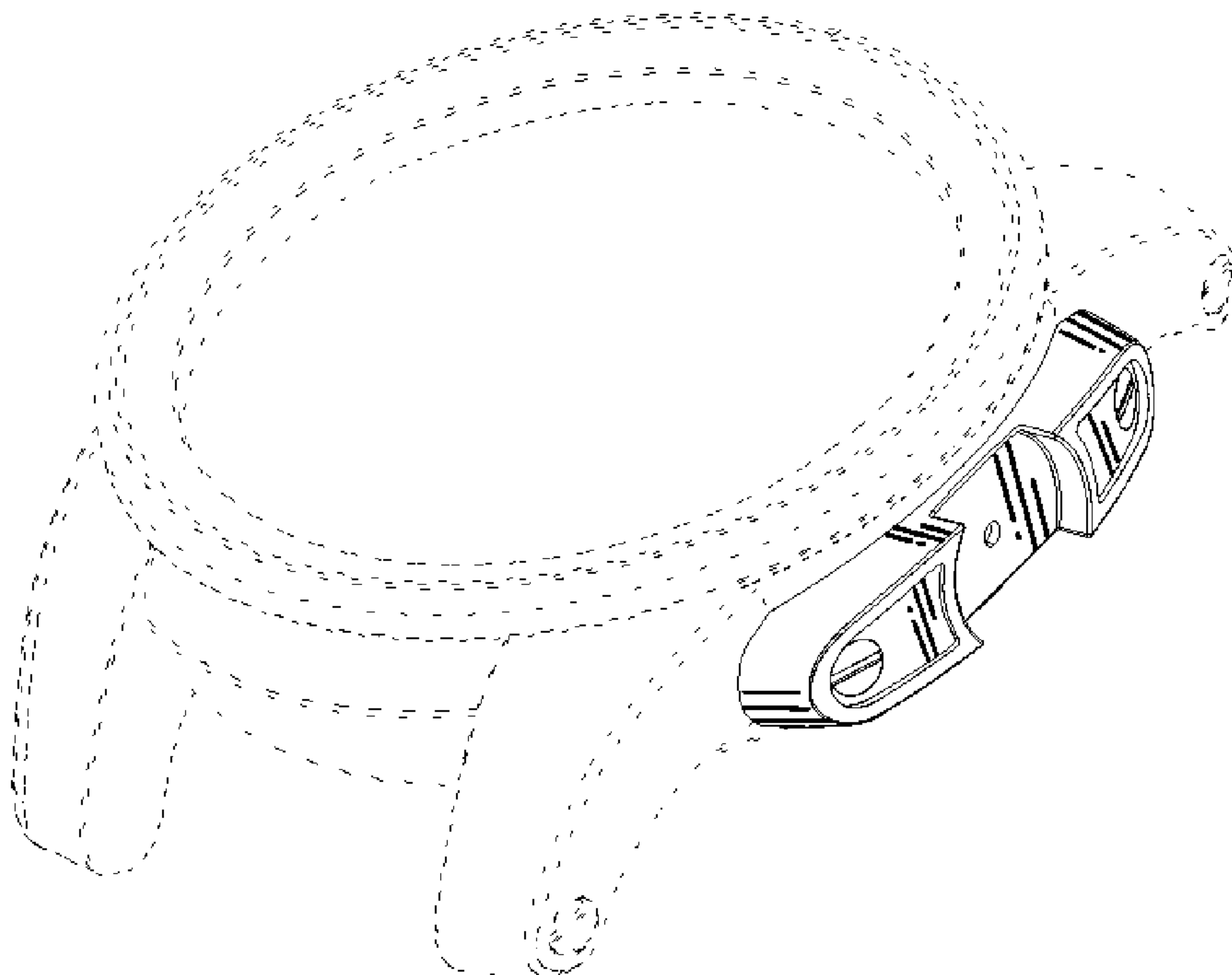
The ornamental design for a crown guard, as shown and described.

DESCRIPTION

FIG. 1 is a top view of the invention;
FIG. 2 is a bottom view of the invention;
FIG. 3 is a back view of the invention;
FIG. 4 is a side view of the invention;
FIG. 5 is a front view of the invention;
FIG. 6 is another side view of the invention, showing the side opposite that shown in FIG. 4; and,
FIG. 7 is a perspective view of the invention.

The portion of the watch that is shown in broken lines in the drawings is for illustrative purposes only and does not form part of the claimed design.

1 Claim, 1 Drawing Sheet



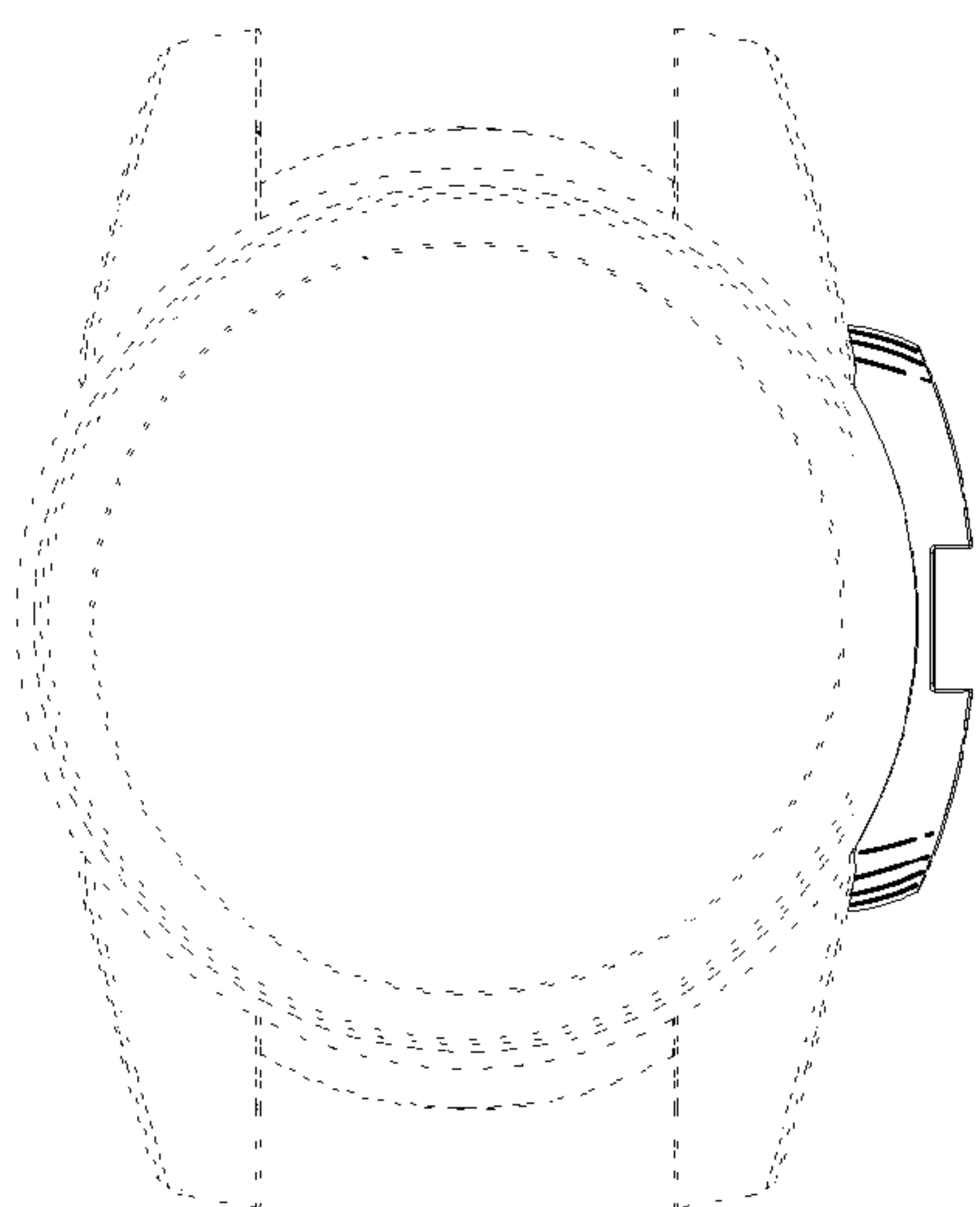


FIG. 1

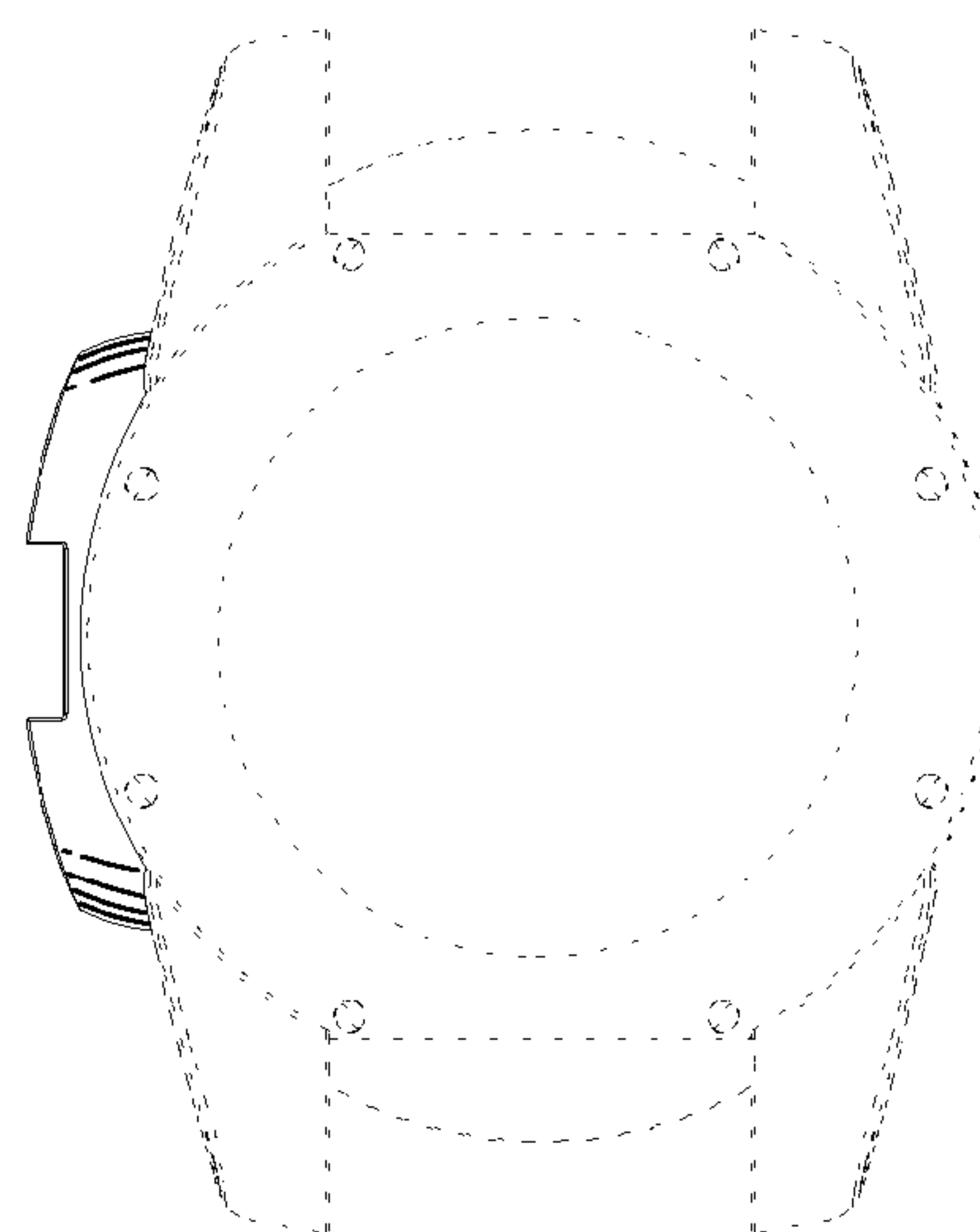


FIG. 2

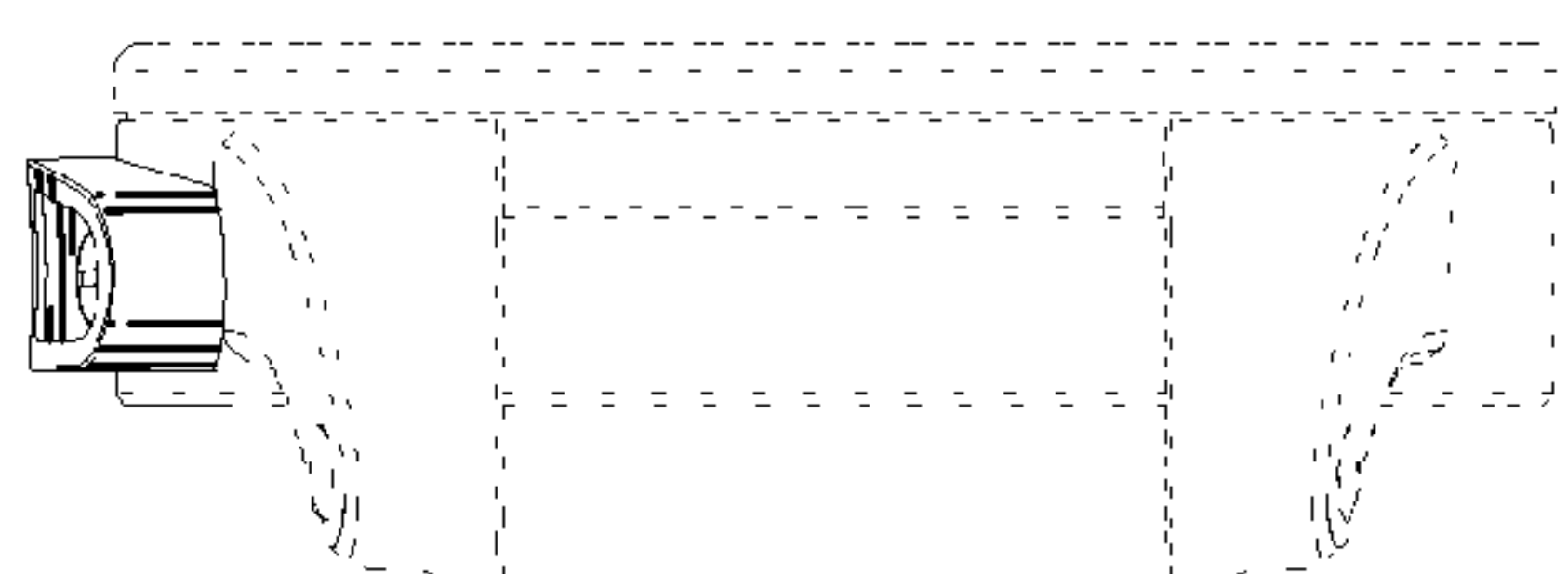


FIG. 3

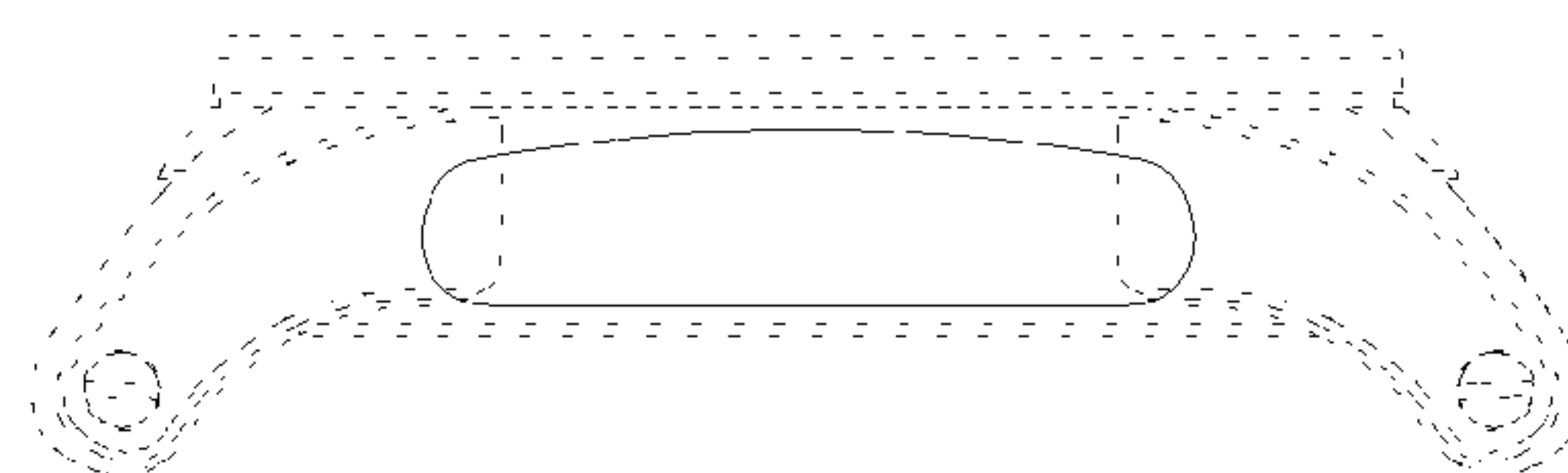


FIG. 4

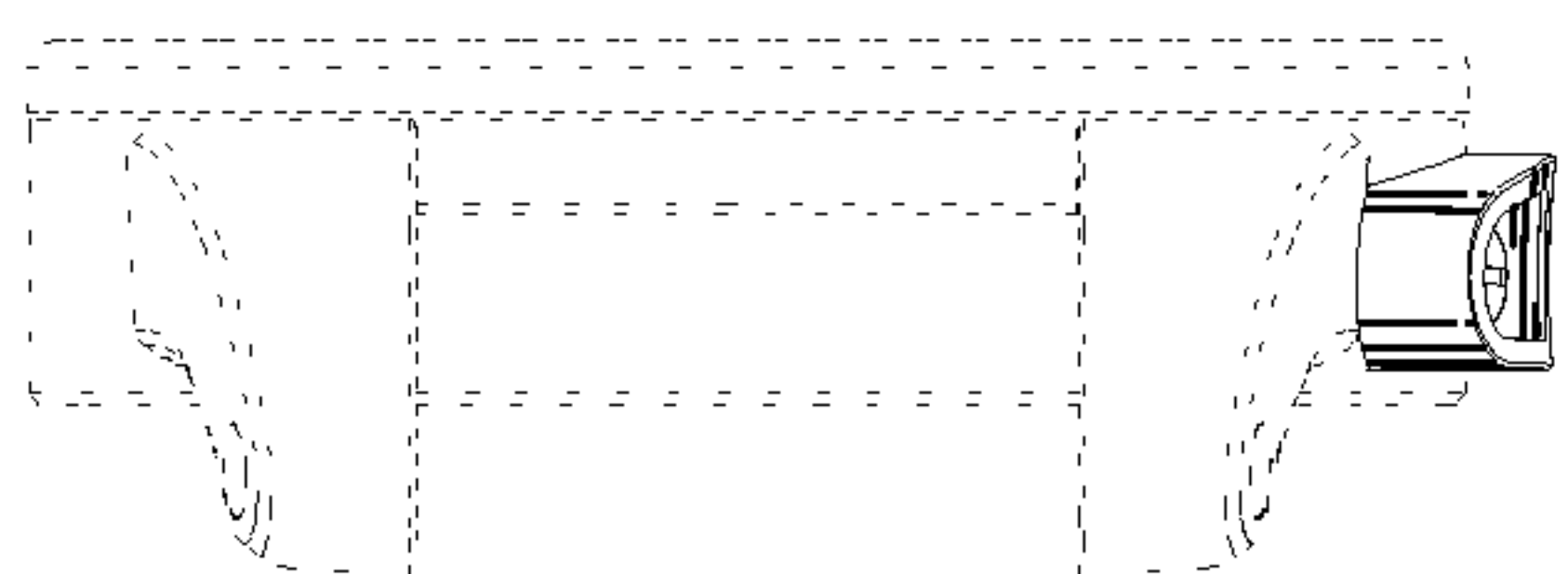


FIG. 5

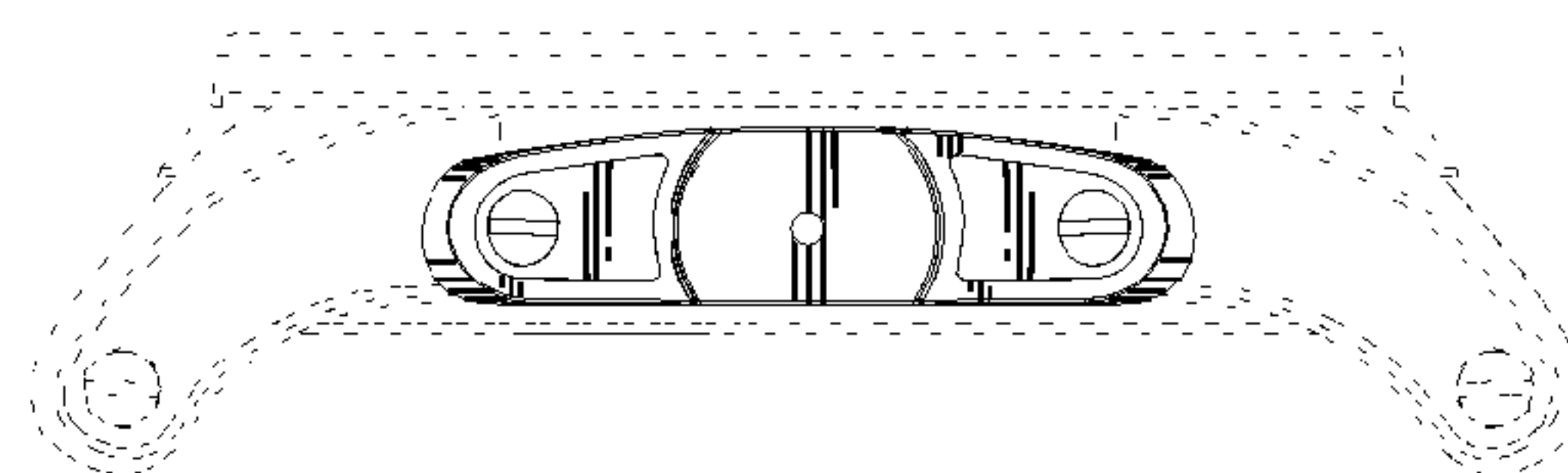


FIG. 6

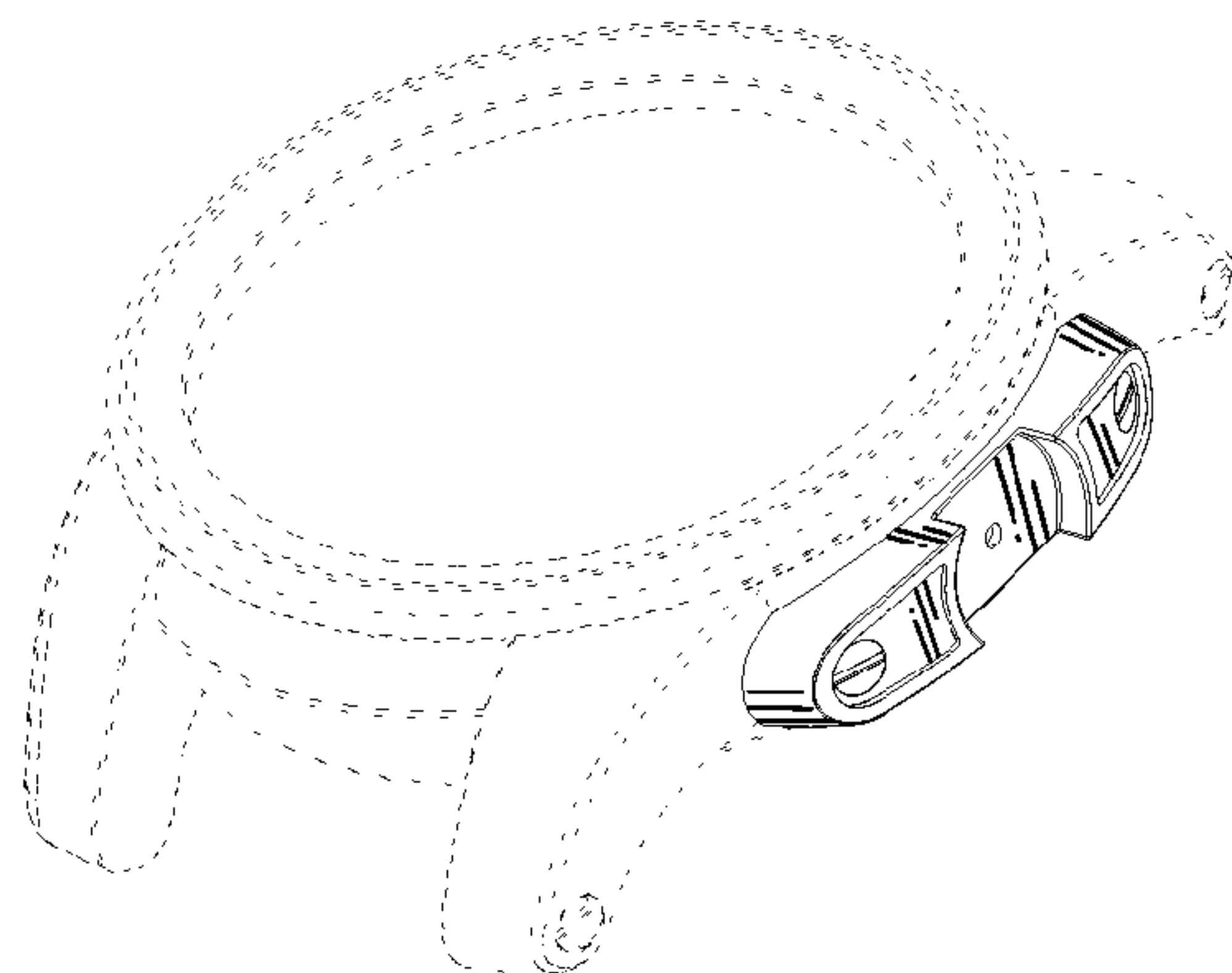


FIG. 7