



US00D616781S

(12) **United States Design Patent**
Zagata

(10) **Patent No.:** **US D616,781 S**
(45) **Date of Patent:** **** Jun. 1, 2010**

(54) **DISPLAY PANEL FOR A COMBINED CLOCK, CALENDAR AND WEATHER INDICATOR**

(75) Inventor: **Mark Zagata**, Plymouth, MI (US)

(73) Assignee: **ZagataRiley**, Livonia, MI (US)

(**) Term: **14 Years**

(21) Appl. No.: **29/292,258**

(22) Filed: **Oct. 3, 2007**

(51) **LOC (9) Cl.** **10-07**

(52) **U.S. Cl.** **D10/125**

(58) **Field of Classification Search** D10/2,
D10/3, 4, 15, 122-125, 52-57; D19/20,
D19/21, 25; D14/171; 368/11, 28-30
See application file for complete search history.

(56) **References Cited**

U.S. PATENT DOCUMENTS

4,483,628	A *	11/1984	Terzian	368/82
D364,355	S *	11/1995	George	D10/18
D374,009	S *	9/1996	George	D14/171
D427,237	S *	6/2000	Chu et al.	D19/21
D427,629	S *	7/2000	Chu et al.	D19/21
D427,630	S *	7/2000	Chu et al.	D19/21
D434,070	S *	11/2000	Lin et al.	D19/21
D436,621	S *	1/2001	Chu et al.	D19/21
D436,992	S *	1/2001	Chu et al.	D19/21
D437,351	S *	2/2001	Chang et al.	D19/21
D438,900	S *	3/2001	Chu et al.	D19/21
D442,496	S	5/2001	Haupt		
D445,841	S	7/2001	Sabo		
D451,816	S *	12/2001	Sato	D10/15
D452,165	S *	12/2001	Sato	D10/15
D452,166	S *	12/2001	Sato	D10/15
D484,421	S *	12/2003	Chang et al.	D10/15
D484,811	S *	1/2004	Chang et al.	D10/15
D484,812	S *	1/2004	Chang et al.	D10/15

D485,192	S *	1/2004	Chang et al.	D10/15
6,967,900	B2	11/2005	Chapman		
D522,881	S *	6/2006	Tien	D10/3
D529,823	S *	10/2006	Tien	D10/2
D531,161	S *	10/2006	Chen	D14/171
D532,709	S *	11/2006	McCormick	D10/53
D541,185	S	4/2007	Li		
D543,868	S *	6/2007	Bhavnani	D10/2
D545,694	S *	7/2007	Bhavnani	D10/15
7,305,876	B2 *	12/2007	Gillette	73/170.16
D561,165	S *	2/2008	Hocherman et al.	D14/171
D561,611	S *	2/2008	Chu et al.	D10/15
2006/0095210	A1 *	5/2006	Chan	702/3

OTHER PUBLICATIONS

“Acu Rite 00972 Wireless Indoor Thermo-Hygrometer & Moon & Phase Atomic Clock,” www.partsshelf.com/ps-acu-rite-00972.html, Retrieved from internet Dec. 31, 2007.

* cited by examiner

Primary Examiner—Lucy Lieberman

(74) Attorney, Agent, or Firm—Alleman Hall McCoy Russell & Tuttle LLP

(57) **CLAIM**

The ornamental design for a display panel for a combined clock, calendar, and weather indicator, as shown and described.

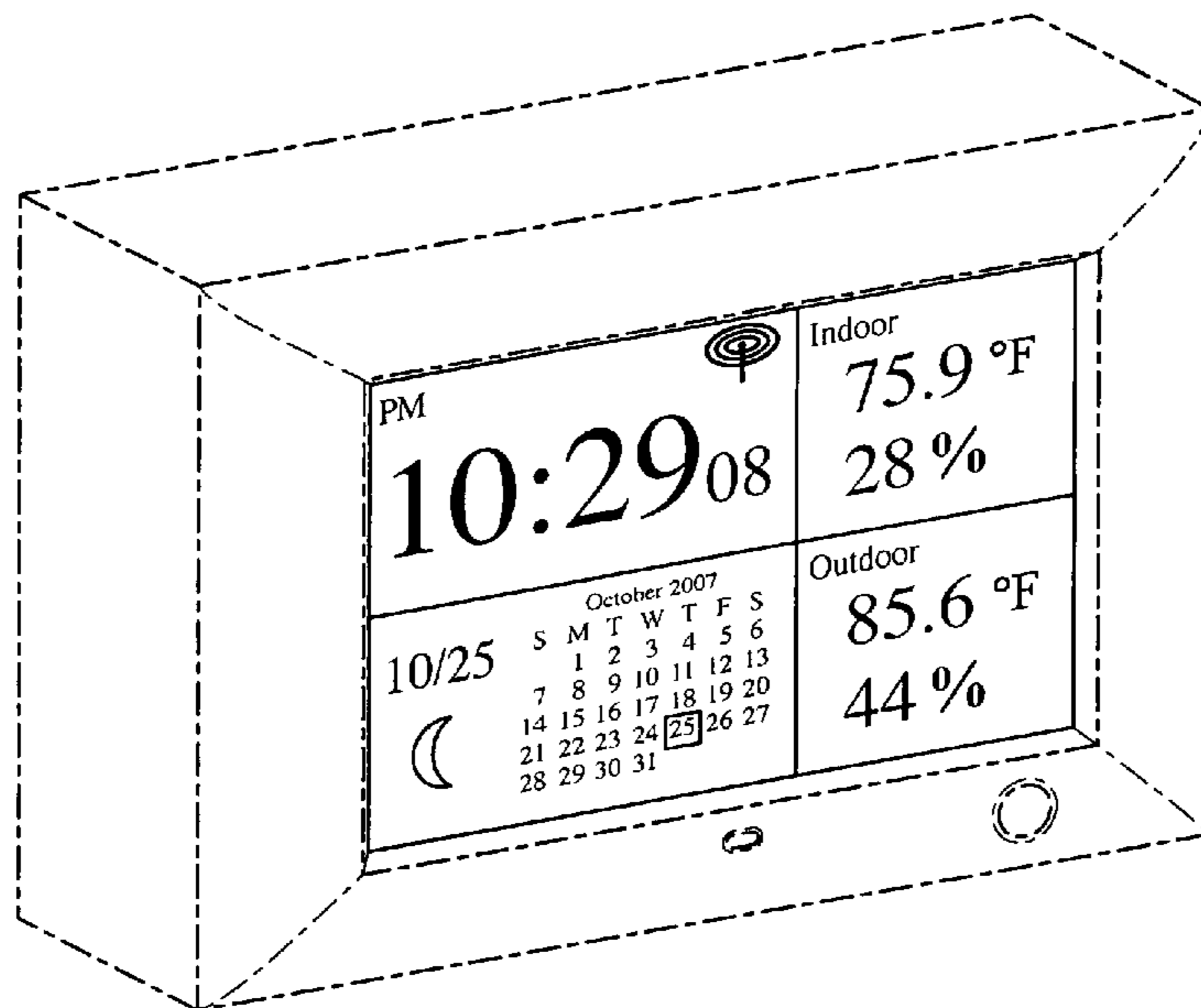
DESCRIPTION

FIG. 1 is a front perspective view of a display panel for a combined clock, calendar and weather indicator showing my new design; and,

FIG. 2 is an enlarged front elevation thereof.

The broken lines in the drawings are used to show portions of a combined clock, calendar and weather indicator that do not form part of the claimed design.

1 Claim, 2 Drawing Sheets



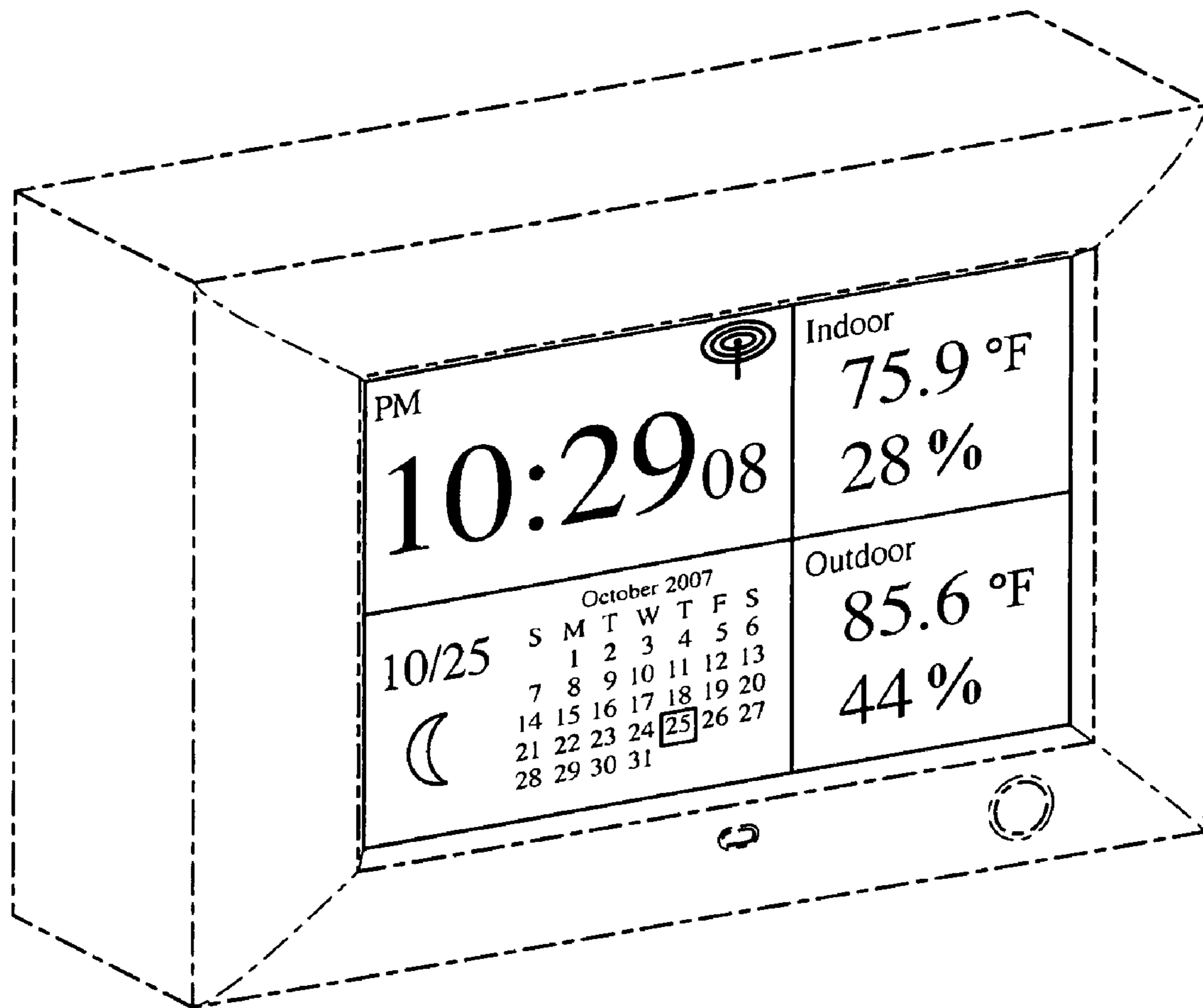


FIG. 1

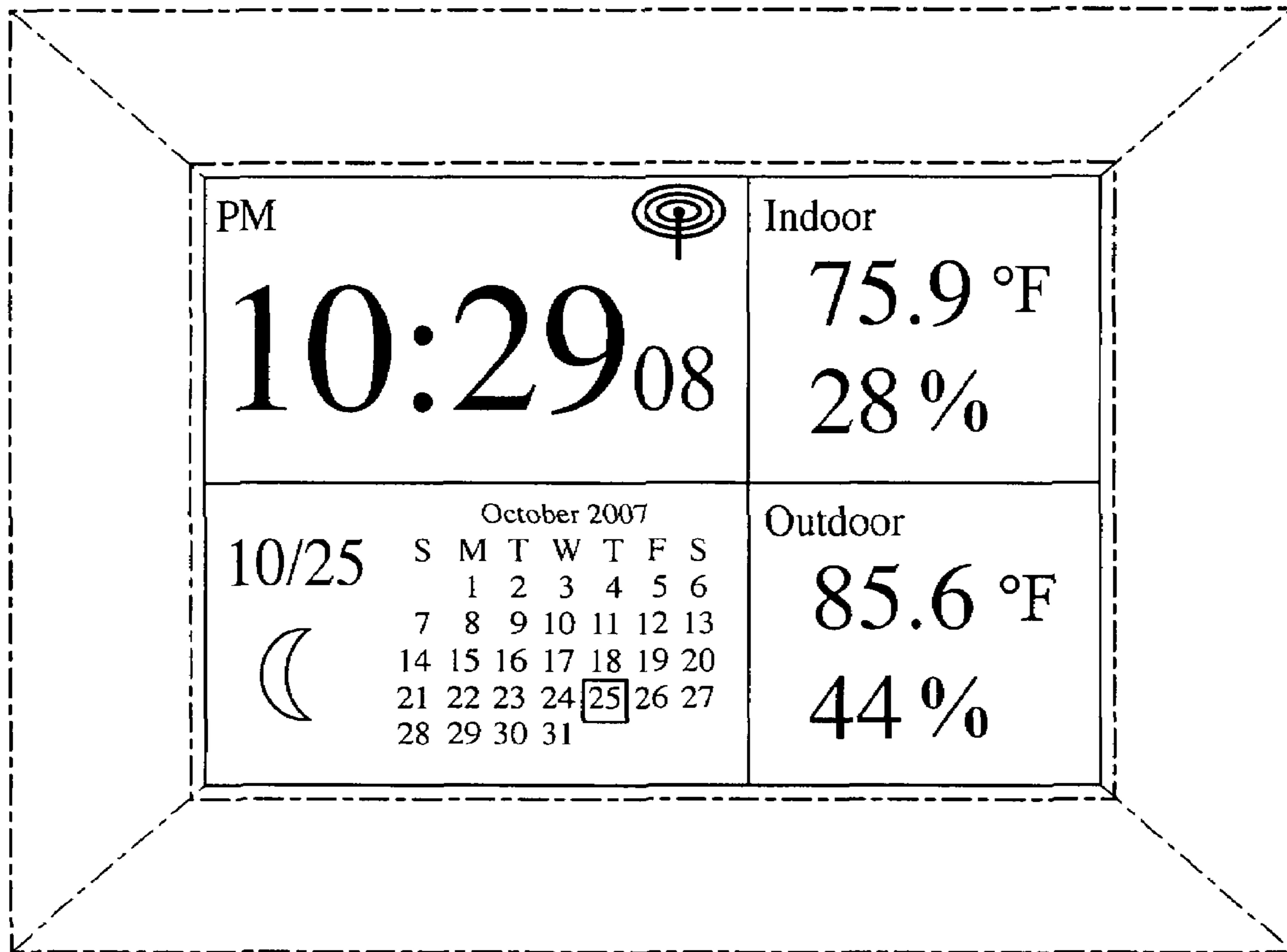


FIG. 2