



US00D616780S

(12) **United States Design Patent**  
**Smith**

(10) **Patent No.:** **US D616,780 S**

(45) **Date of Patent:** **\*\* Jun. 1, 2010**

(54) **WARNING LIGHT AND FLANGE**

(75) Inventor: **Kevin M. Smith**, Chester, CT (US)

(73) Assignee: **Whelen Engineering Company, Inc.**,  
Chester, CT (US)

(\*\*) Term: **14 Years**

(21) Appl. No.: **29/315,513**

(22) Filed: **Jul. 1, 2009**

(51) **LOC (9) Cl.** ..... **10-05**

(52) **U.S. Cl.** ..... **D10/114**

(58) **Field of Classification Search** ..... D10/109,  
D10/111, 114, 104; D26/29-31, 70, 71,  
D26/72, 85, 73; D11/137; D21/650; 362/544,  
362/459, 466, 183, 431, 428, 294, 584; 280/87.042,  
280/601, 79.11; 340/321, 584, 815.45; 52/848,  
52/838; 315/159; 405/232; 335/202; 307/157  
See application file for complete search history.

(56) **References Cited**

**U.S. PATENT DOCUMENTS**

2,529,576 A \* 11/1950 Scanlon ..... 404/16  
D165,130 S \* 11/1951 Bolser ..... D10/114  
3,781,790 A \* 12/1973 Dawson ..... 340/473

D261,048 S \* 9/1981 Price ..... D26/24  
D443,377 S \* 6/2001 Handsaker ..... D26/72  
D472,660 S \* 4/2003 Lee ..... D26/72

\* cited by examiner

*Primary Examiner*—Caron Veynar

*Assistant Examiner*—George D Kirschbaum

(74) *Attorney, Agent, or Firm*—Alix, Yale & Ristas, LLP

(57) **CLAIM**

The ornamental design for the warning light and flange, as shown and described.

**DESCRIPTION**

FIG. 1 is a perspective view of a warning light and flange showing my new design;

FIG. 2 is a top plan view thereof;

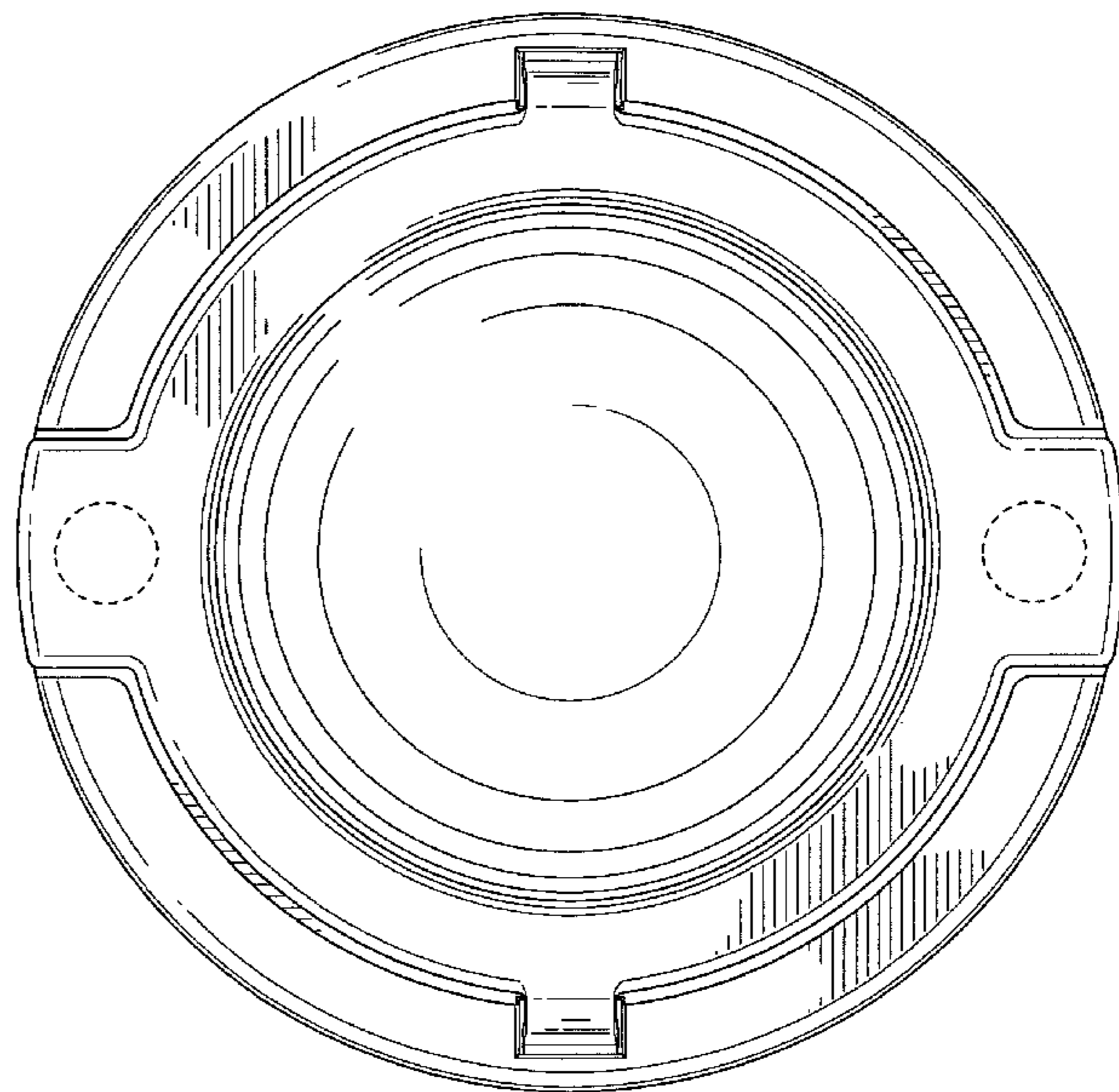
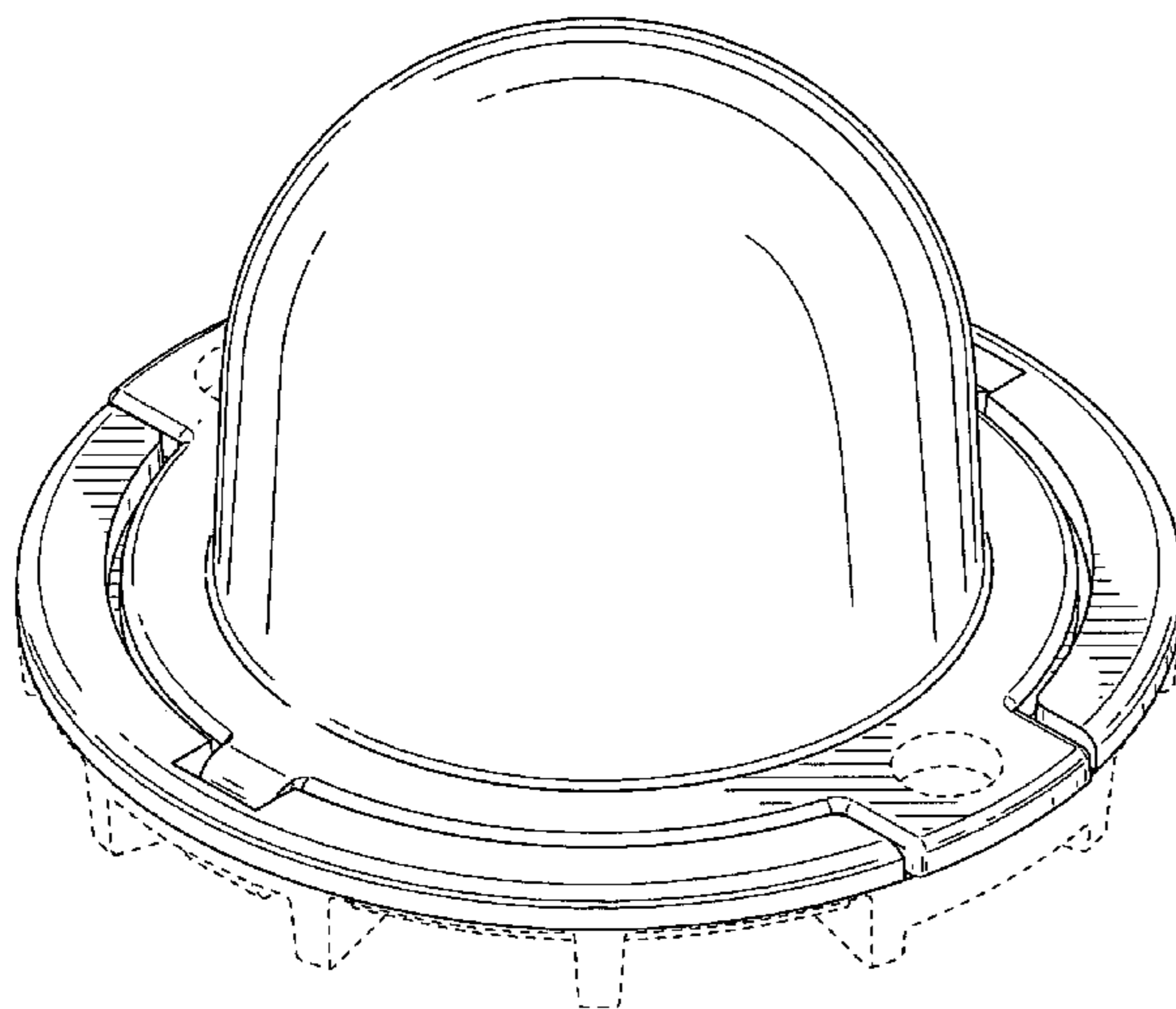
FIG. 3 is a left side view thereof, the opposite right side view being identical; and,

FIG. 4 is a front view thereof, the opposite rear view being identical.

No claim is made to the portions shown in broken lines.

No claim is made to the bottom plan view.

**1 Claim, 4 Drawing Sheets**



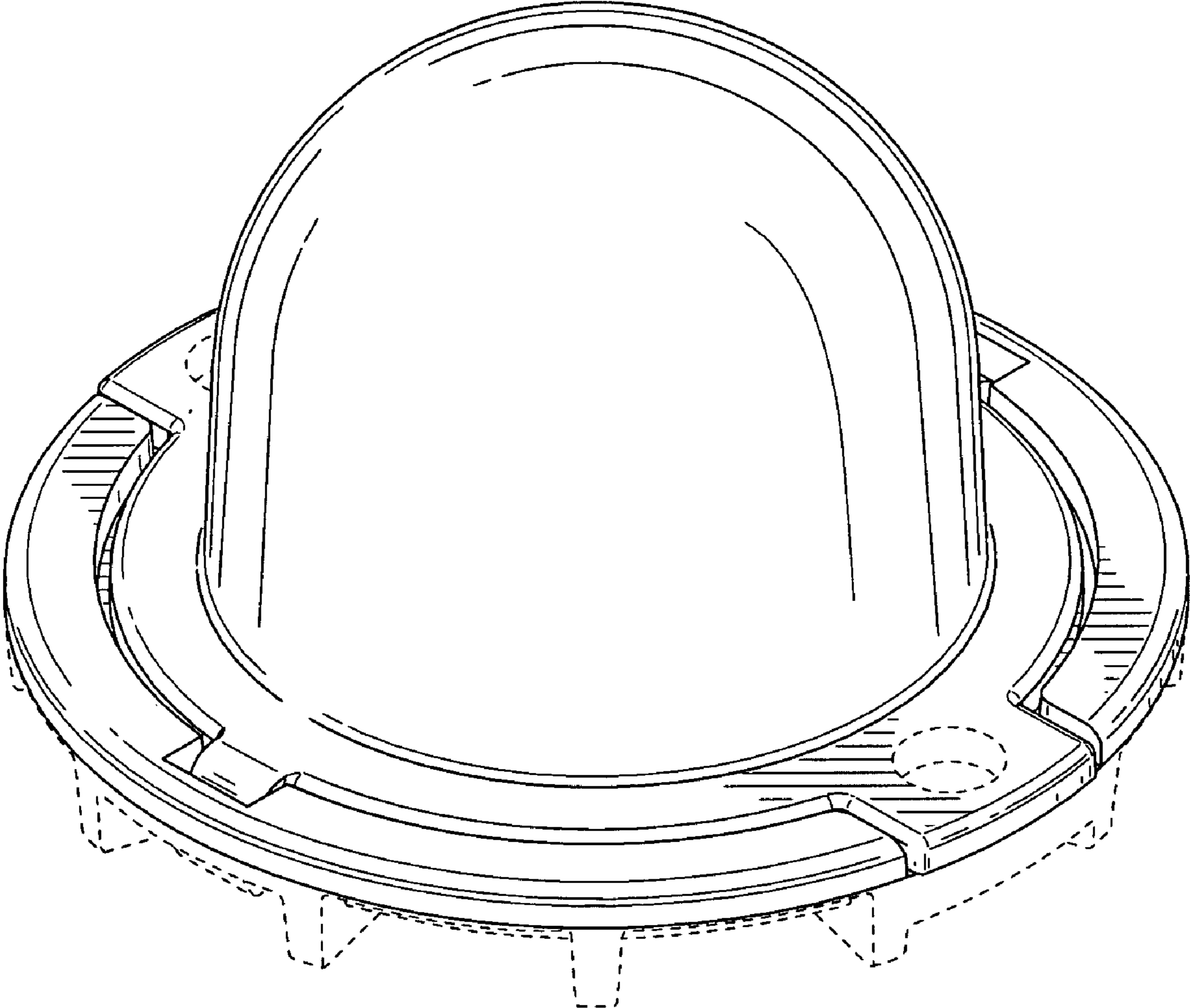


FIG. 1

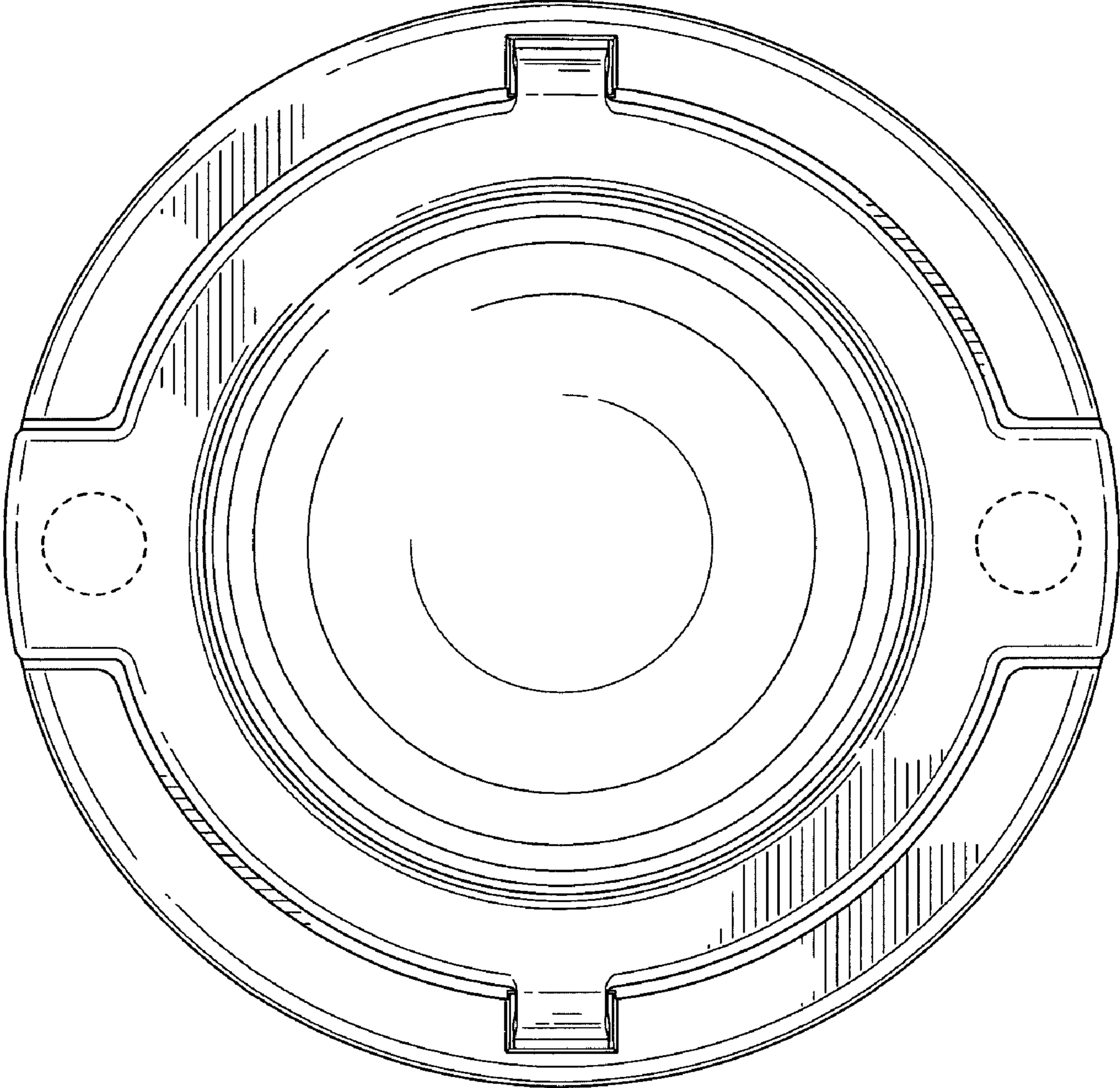


FIG. 2

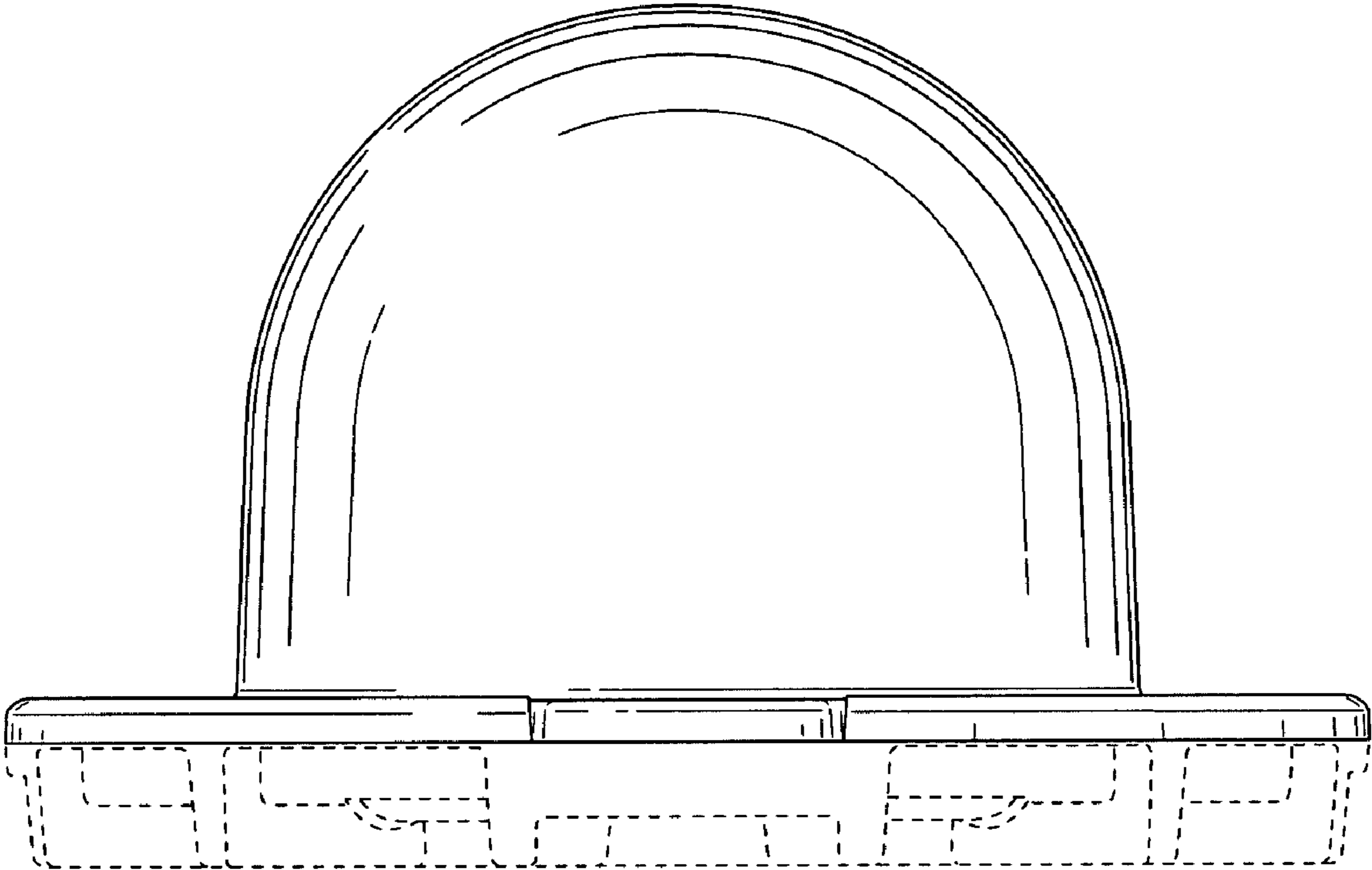


FIG. 3

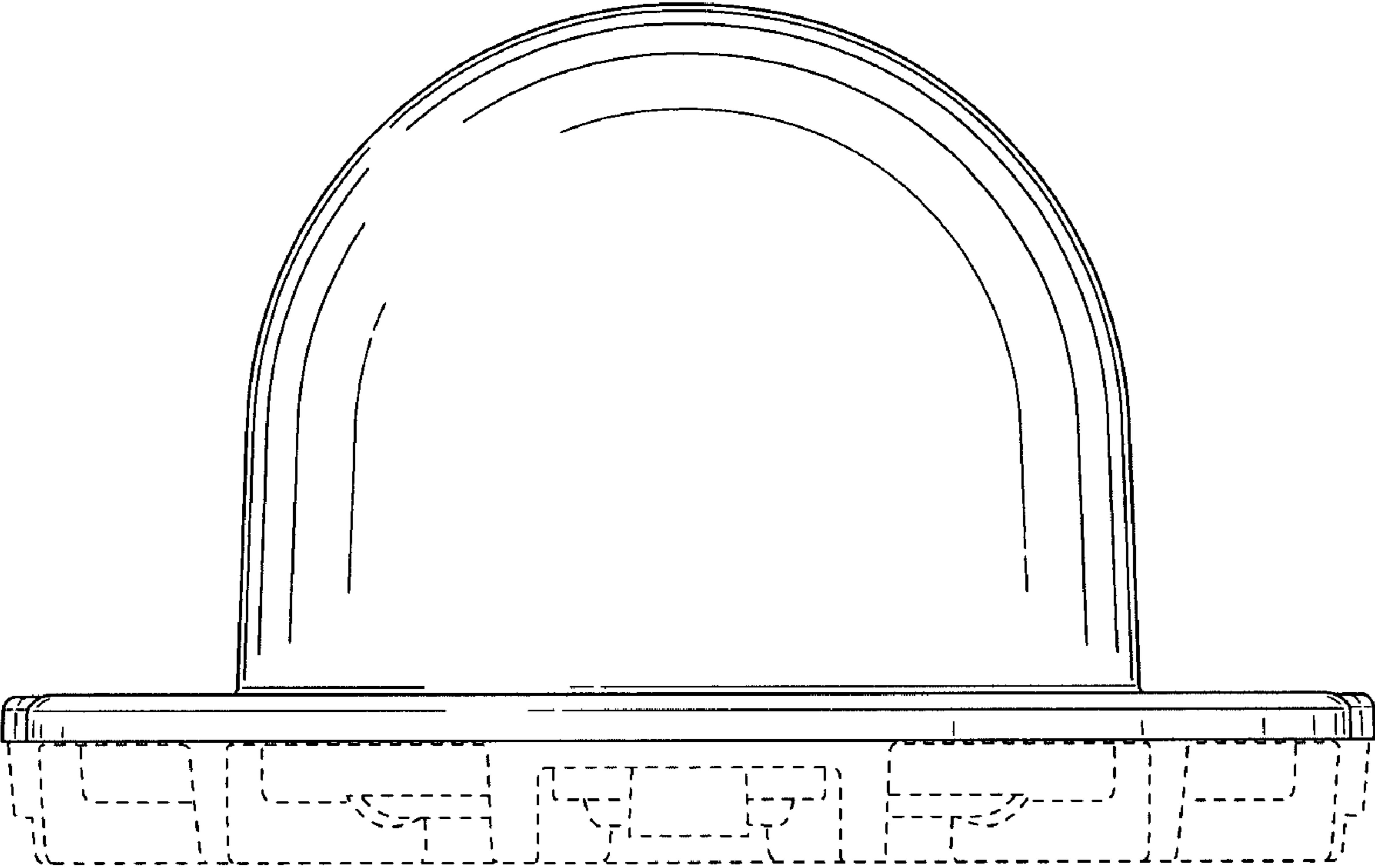


FIG. 4