



US00D616778S

(12) **United States Design Patent**
Marszalek et al.

(10) **Patent No.:** **US D616,778 S**
(45) **Date of Patent:** **** Jun. 1, 2010**

- (54) **SECURITY ALARM FOR ARTICLES ON DISPLAY**
- (75) Inventors: **Christopher Marszalek**, Plainfield, IL (US); **Jim Groth**, Poplar Grove, IL (US); **Daniel Horvath**, Marseilles, IL (US); **Andy Reynolds**, Aurora, IL (US); **Edward T. Eaton**, Eola, IL (US)

- 2007/0125569 A1 6/2007 Marszalek et al.
- 2007/0152819 A1 7/2007 Marszalek et al.
- 2007/0169956 A1 7/2007 Marszalek et al.
- 2008/0061975 A1 3/2008 Belden, Jr. et al.
- 2008/0204239 A1 8/2008 Marszalek et al.
- 2009/0058643 A1 3/2009 Groth

(73) Assignee: **Sennco Solutions, Inc.**, Plainfield, IL (US)

U.S. Appl. No. 12/455,096, Marszalek et al.

(**) Term: **14 Years**

(Continued)

(21) Appl. No.: **29/315,128**

Primary Examiner—Caron Veynar
Assistant Examiner—George D Kirschbaum
(74) *Attorney, Agent, or Firm*—Patents + TMS, P.C.

(22) Filed: **May 28, 2009**

(57) **CLAIM**

- (51) **LOC (9) Cl.** **10-05**
- (52) **U.S. Cl.** **D10/106**
- (58) **Field of Classification Search** D10/104, D10/106; D14/251; 70/57, 57.1, 58, 59
See application file for complete search history.

The ornamental design for a security alarm for articles on display, as shown.

DESCRIPTION

(56) **References Cited**

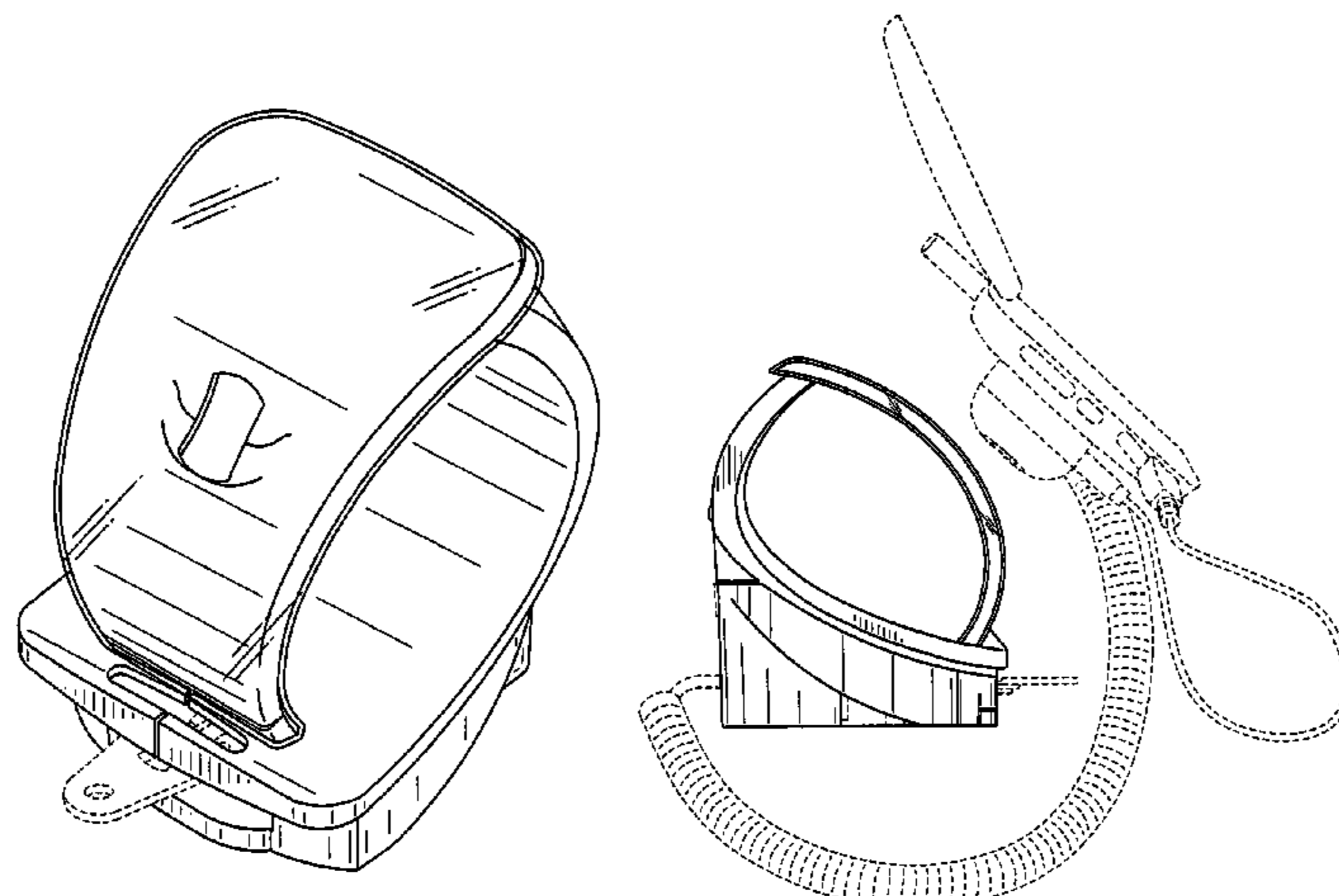
FIG. 1 is a perspective view of a security alarm for articles on display;
FIG. 2 is a front view thereof showing the security alarm positioned adjacent to a cell phone and cabling;
FIG. 3 is a left side view thereof showing the security alarm positioned adjacent to the cell phone and cabling;
FIG. 4 is a front view thereof;
FIG. 5 is a rear view thereof;
FIG. 6 is a right side view thereof;
FIG. 7 is a left side view thereof;
FIG. 8 is a top view thereof; and
FIG. 9 is a bottom view thereof.

U.S. PATENT DOCUMENTS

- 5,861,807 A 1/1999 Leyden et al.
- 6,027,277 A 2/2000 Leyden et al.
- 7,223,917 B1 12/2006 Marszalek et al.
- 7,202,417 B2 4/2007 Marszalek et al.
- 7,202,786 B2 4/2007 Marszalek et al.
- 7,154,039 B1 5/2007 Marszalek et al.
- 7,385,522 B2 6/2008 Belden, Jr. et al.
- 7,387,003 B2 6/2008 Marszalek et al.
- 7,487,652 B2 2/2009 Marszalek et al.
- 7,504,944 B2 3/2009 Marszalek et al.
- 7,522,047 B2* 4/2009 Belden et al. 340/568.1
- 2005/0263315 A1 12/2005 Marszalek et al.
- 2005/0264418 A1 12/2005 Marszalek et al.
- 2005/0268674 A1 12/2005 Marszalek et al.
- 2006/0086160 A1 4/2006 Marszalek et al.
- 2006/0170549 A1 8/2006 Belden, Jr. et al.
- 2006/0174812 A1 8/2006 Marszalek et al.
- 2007/0113973 A1 5/2007 Marszalek et al.
- 2007/0125472 A1 6/2007 Marszalek et al.

Any broken line illustration of structure in the drawing is not part of the design sought to be patented. The cell phone and cabling are shown in broken lines for illustrative purposes and form no part of the claimed design.

1 Claim, 5 Drawing Sheets



OTHER PUBLICATIONS

“The Next Generation in Display Security Vantage”, Se-Kure Controls, Inc. Flyer.

“Se-Kure Controls: Detailed Descriptions of Items Too New for Catalog”, Se-Kure Controls, Inc. Website, http://www.se-kure.com/new_listings.htm.

“Se-Kure Controls: 4-Port and One-on-One Alarms”, Se-Kure Controls, Inc. Website, <http://www.se-kure.com/page7.htm>.

“InVue Security Products USB Sensors”, Promotional Flyer.

* cited by examiner

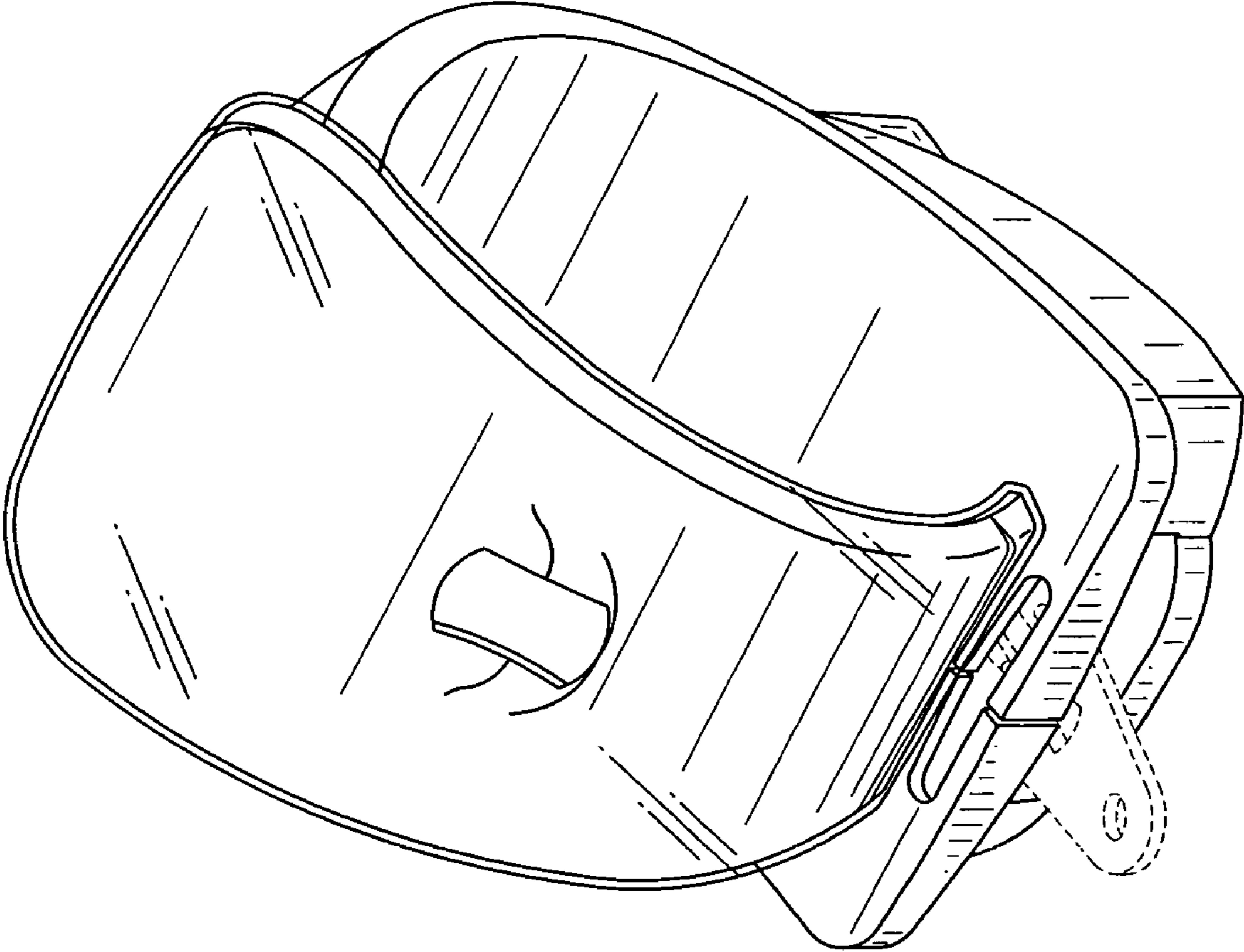


FIG. 1

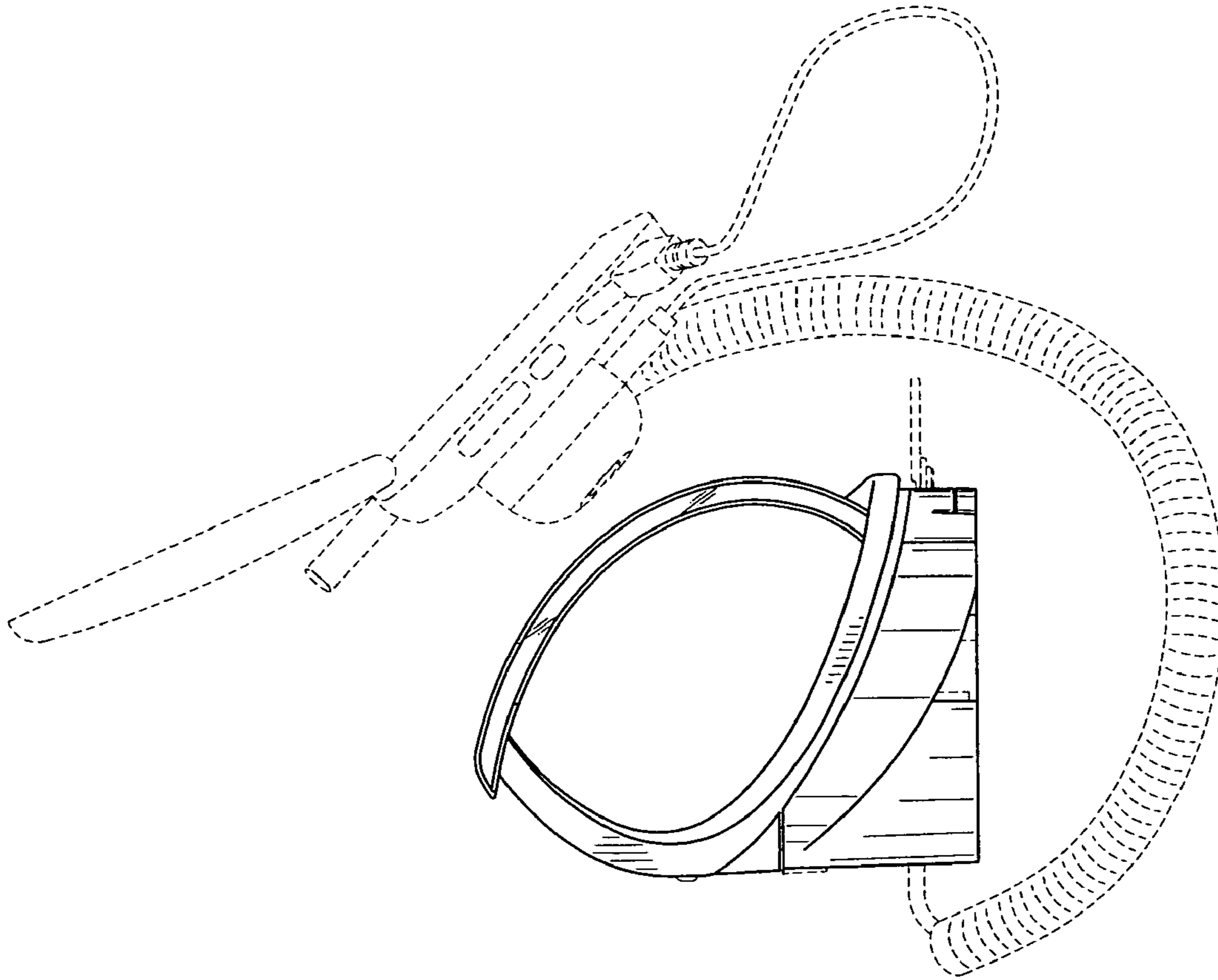


FIG. 3

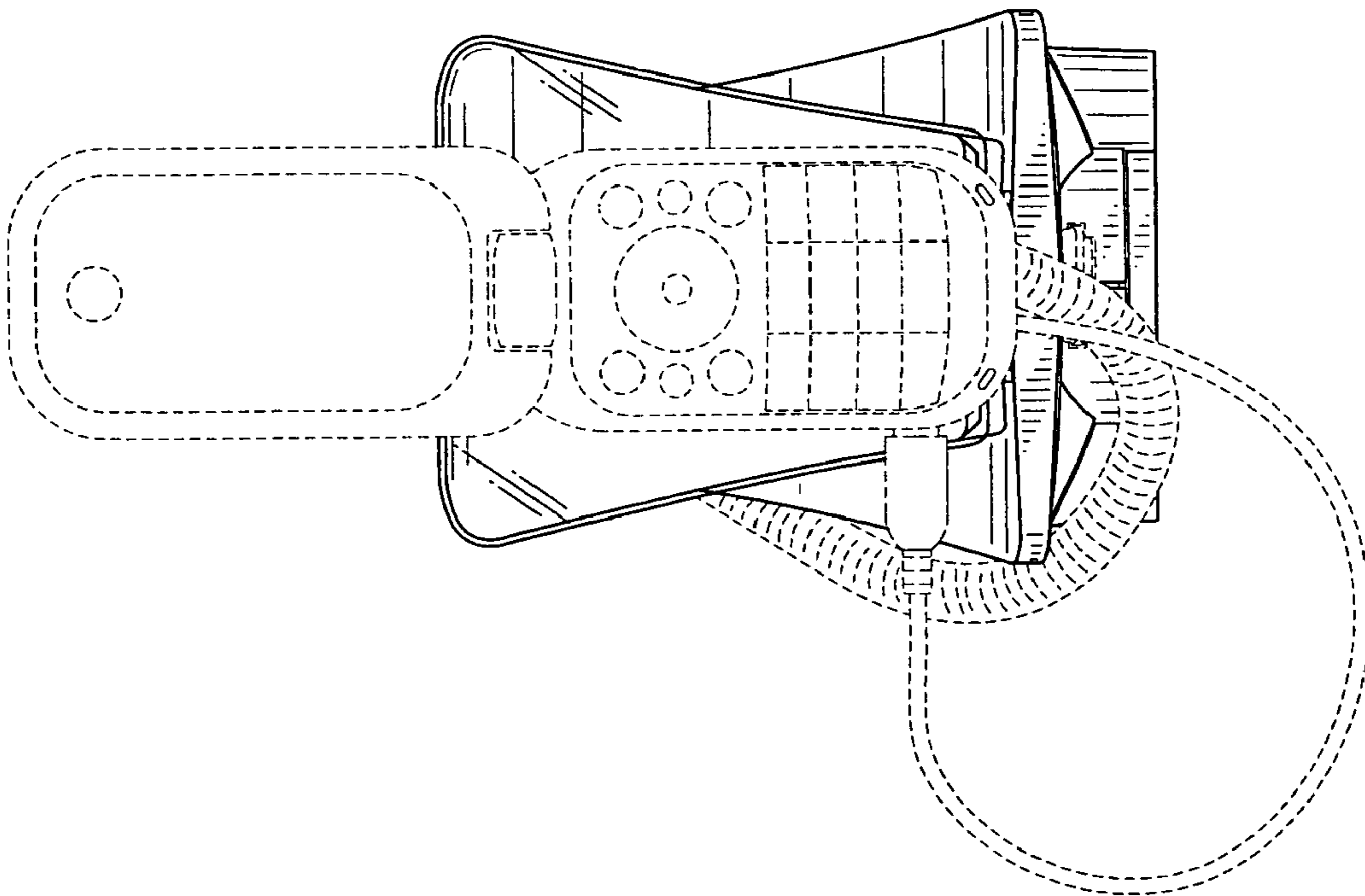


FIG. 2

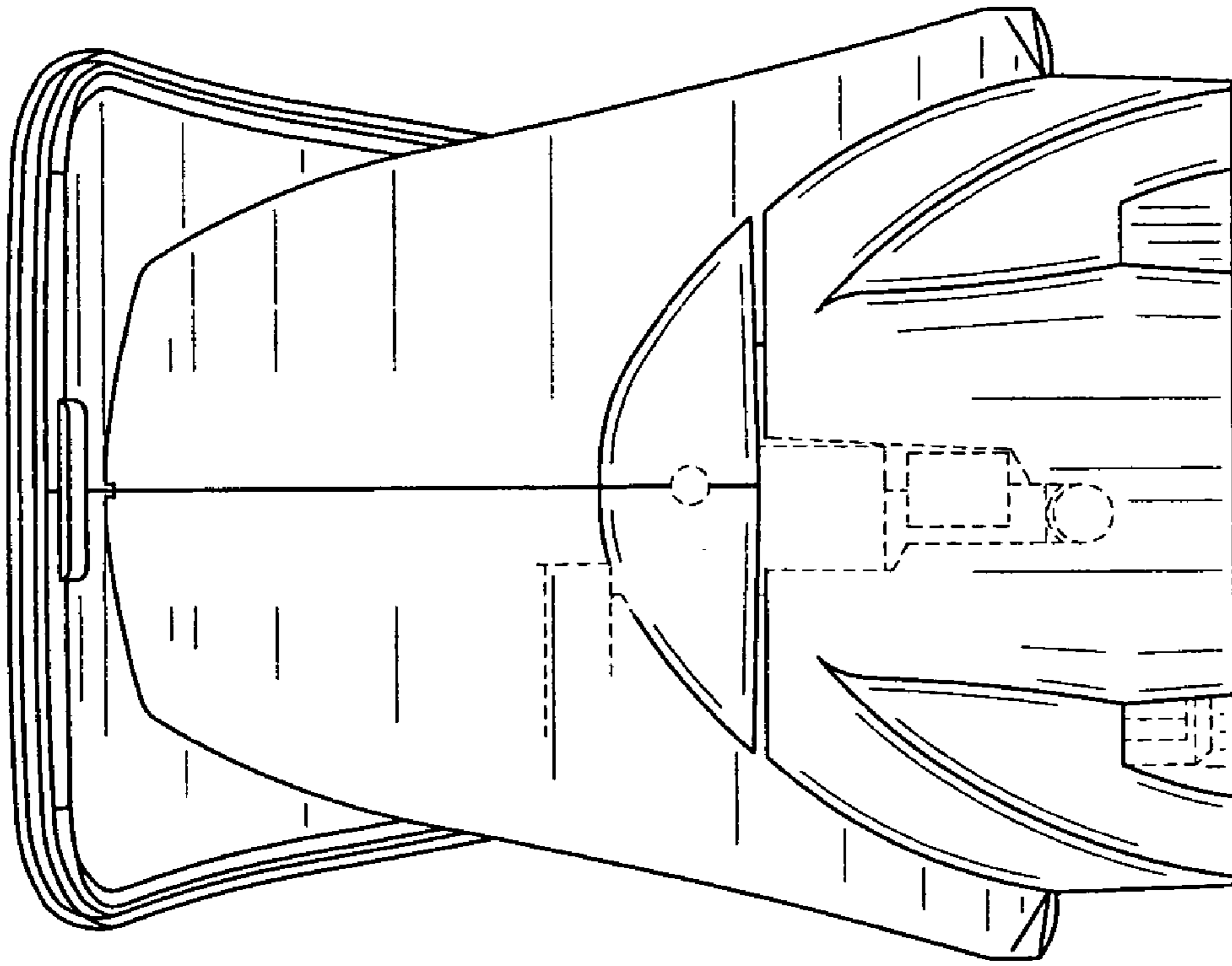


FIG. 5

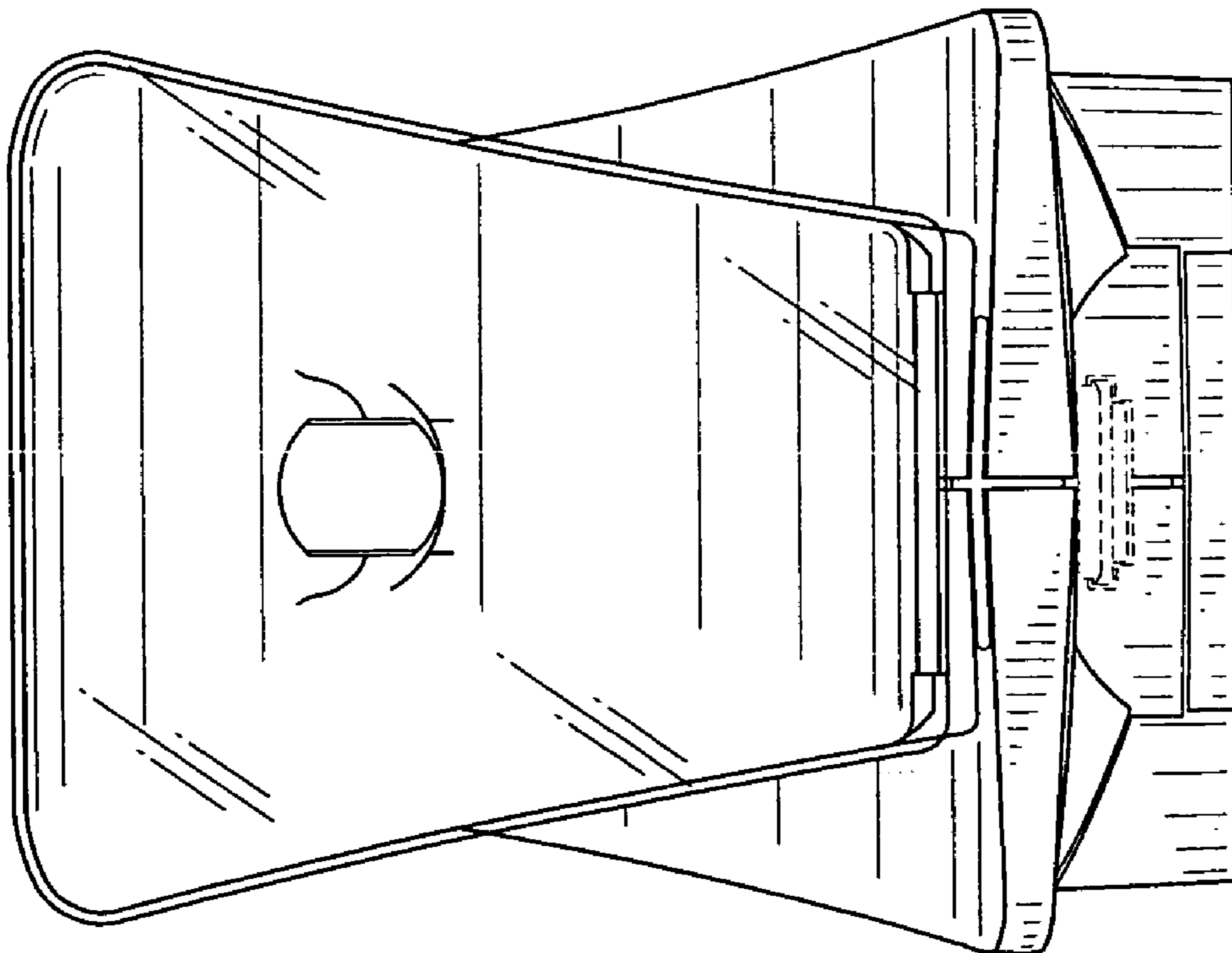


FIG. 4

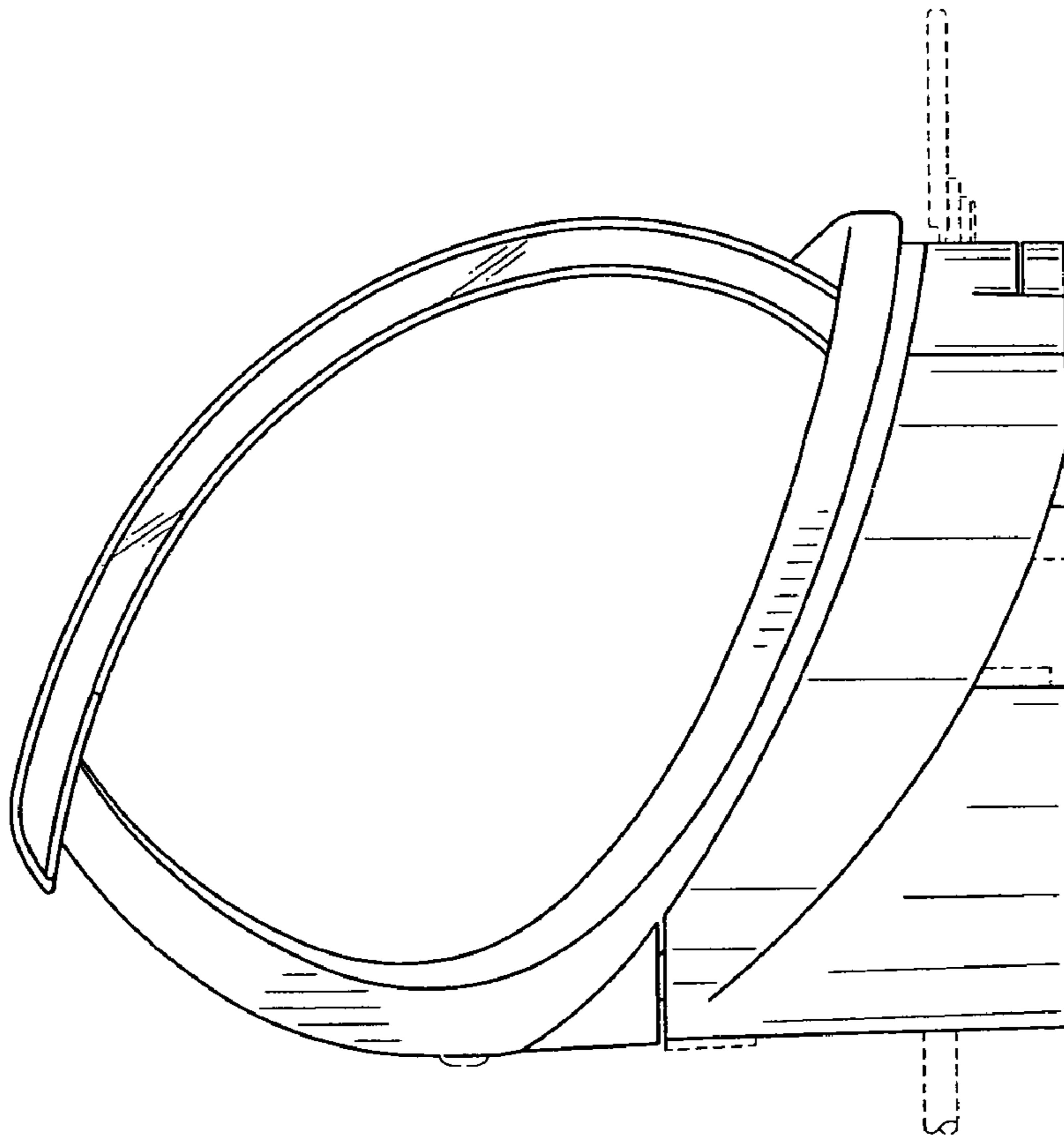


FIG. 6

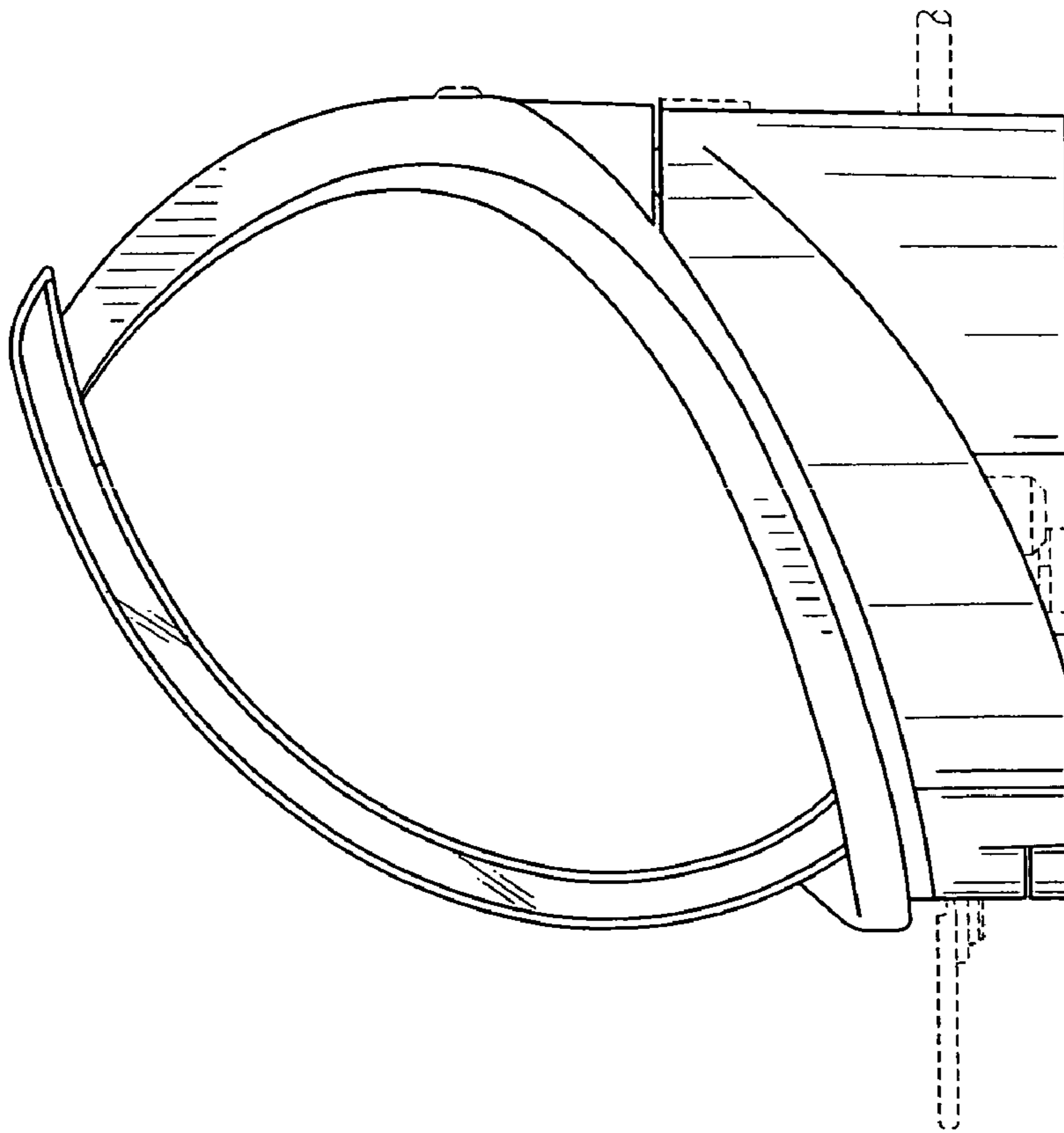


FIG. 7

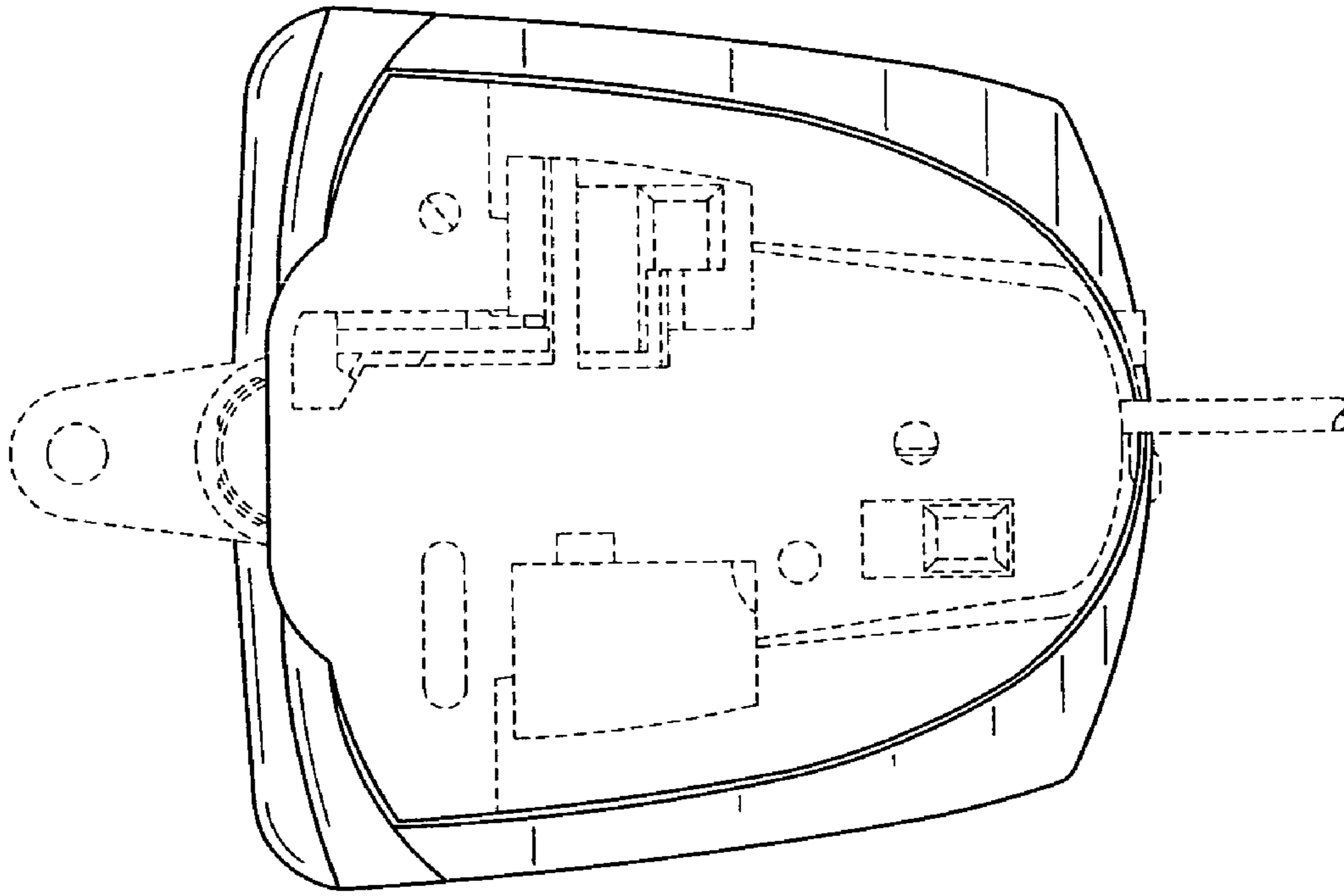


FIG. 9

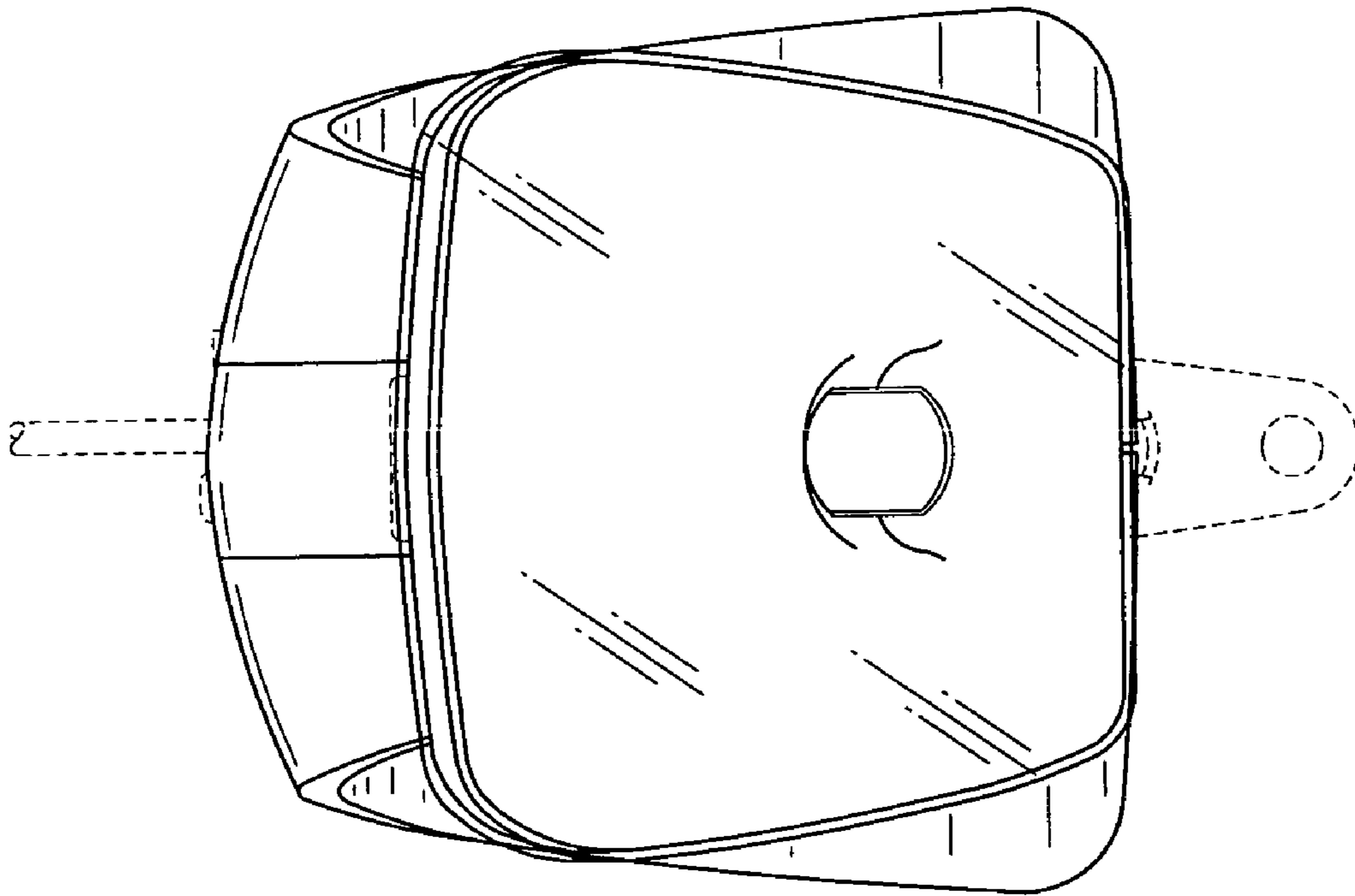


FIG. 8