



US00D616777S

(12) **United States Design Patent**
Jackson

(10) **Patent No.:** **US D616,777 S**
(45) **Date of Patent:** **** Jun. 1, 2010**

(54) **ROTATABLE TRANSPONDERS HAVING A HOUSING WITH VISIBLE INDICIA**

D570,722 S * 6/2008 Taylor D10/114
D584,181 S * 1/2009 Poon D10/114
D598,316 S * 8/2009 Kuwano D10/114
D598,799 S * 8/2009 Shigematsu D10/114

(75) Inventor: **Stephen S. Jackson**, Chapel Hill, NC (US)

* cited by examiner

(73) Assignee: **RadarFind Corporation**, Morrisville, NC (US)

Primary Examiner—Caron Veynar

Assistant Examiner—George D Kirschbaum

(**) Term: **14 Years**

(74) *Attorney, Agent, or Firm*—Myers Bigel Sibley & Sajovec

(21) Appl. No.: **29/346,591**

(57) **CLAIM**

(22) Filed: **Nov. 3, 2009**

The ornamental design for a rotatable transponder having a housing with visible indicia, as shown and described.

Related U.S. Application Data

DESCRIPTION

(62) Division of application No. 29/331,334, filed on Jan. 23, 2009, now Pat. No. Des. 605,965.

FIG. 1 is a front perspective view of another embodiment of the rotatable transponder showing my design;

(51) **LOC (9) Cl.** **10-05**

FIG. 2 is side view thereof;

(52) **U.S. Cl.** **D10/104**

FIG. 3 is a top end view thereof;

(58) **Field of Classification Search** D10/109, D10/111, 114, 104, 106, 113; D26/29–31, D26/60, 28; D14/440, 441, 141.1, 159; D24/185, D24/186; 362/359–368, 475–478, 485, 487
See application file for complete search history.

FIG. 4 is a bottom end view thereof; and,

FIG. 5 is a front perspective environmental view thereof illustrating rotatable transponders in an exemplary clinical use environment.

(56) **References Cited**

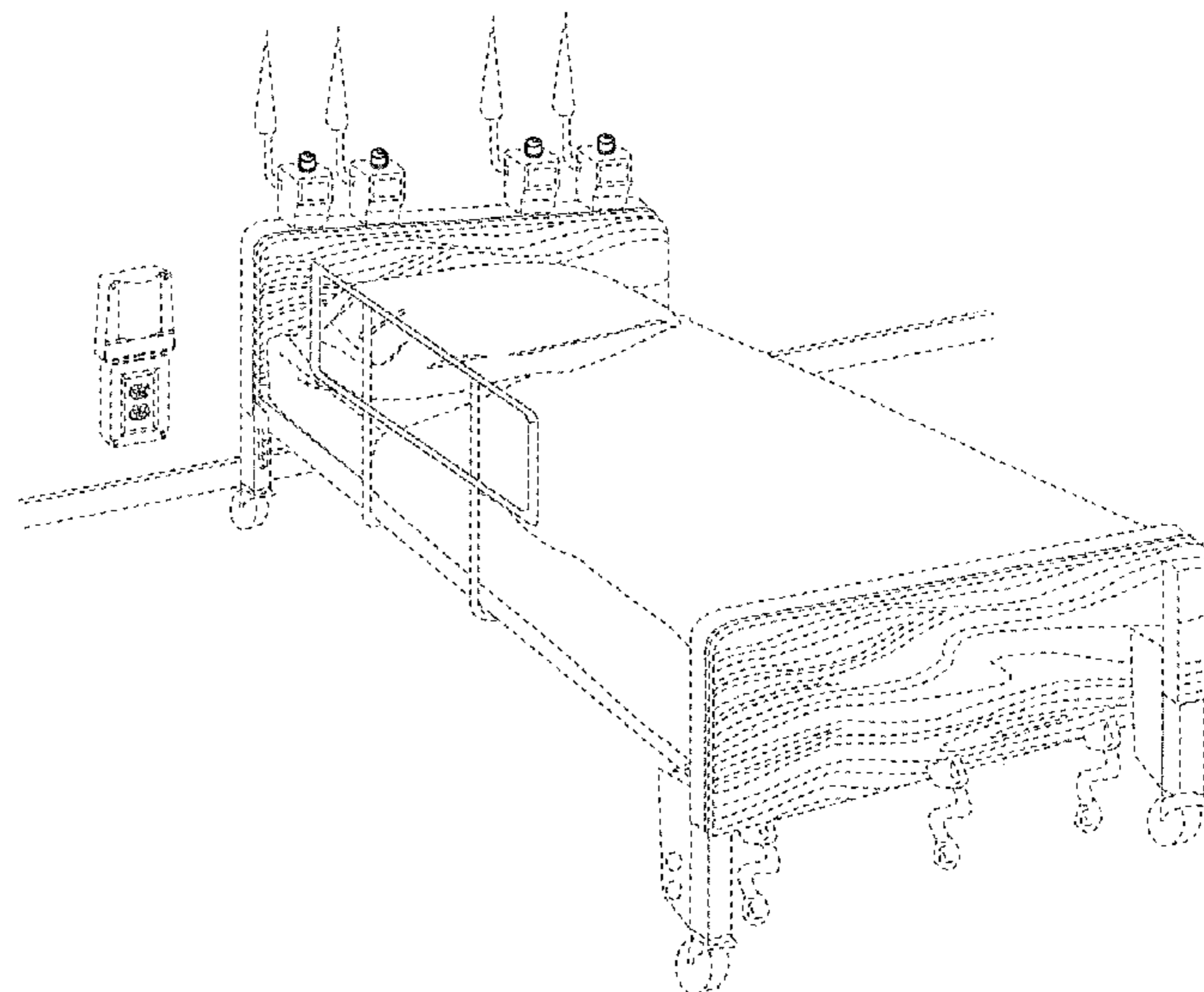
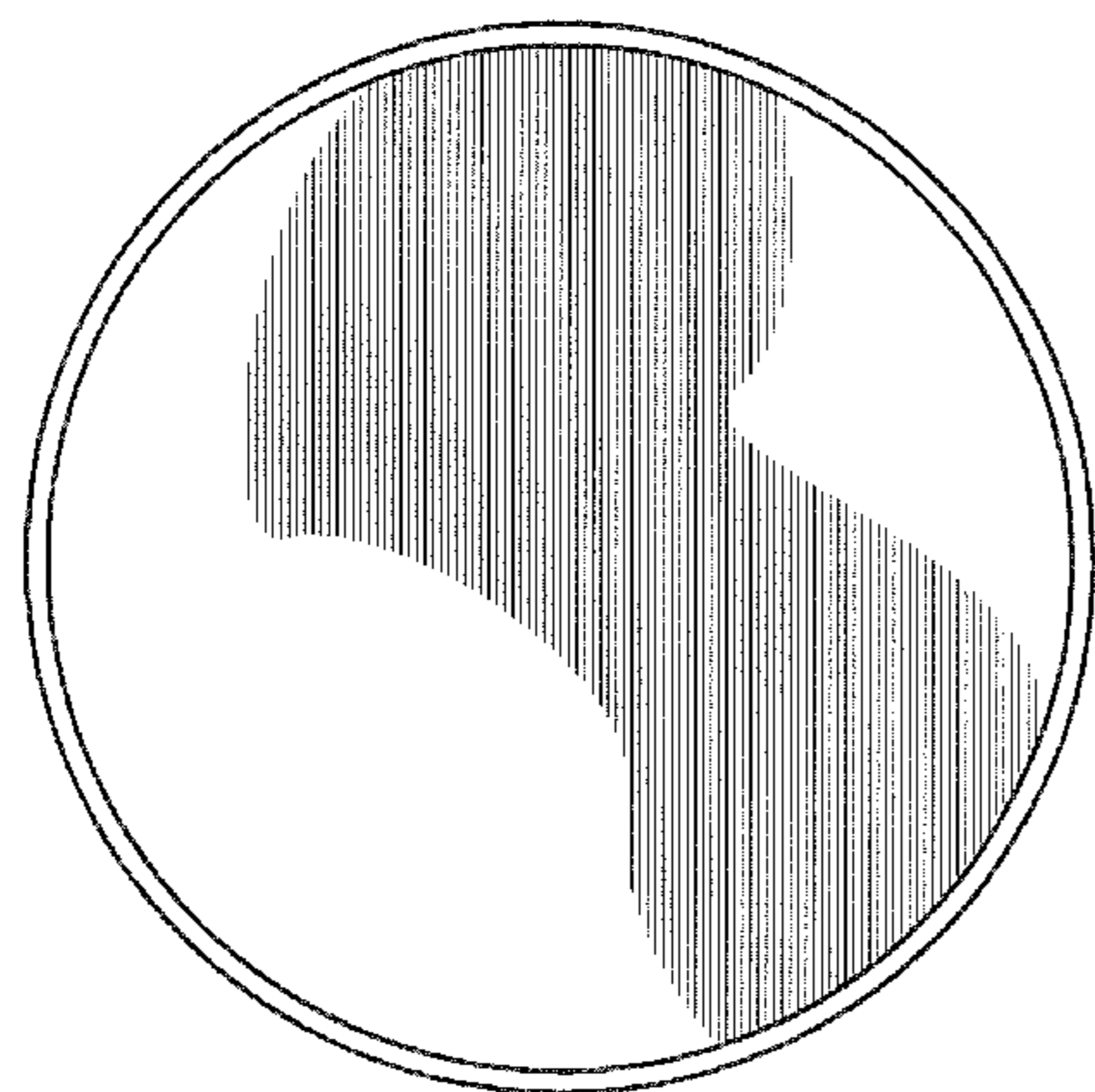
The broken lines shown herein are for illustrative purposes only and form no part of the claimed design. The environmental views illustrate the rotatable transponder having a housing with visible indicia affixed to devices in a clinical environment. The diagonal shading indicates a visually translucent or transparent surface. The different stippling patterns indicate different contrasting colors, which are visible via the transparent and/or translucent areas.

U.S. PATENT DOCUMENTS

The broken lines depict unclaimed environmental subject matter.

- D191,681 S * 10/1961 Chase D10/114
- 3,325,930 A * 6/1967 Braeutigam 40/473
- D228,571 S * 10/1973 Burland D10/114
- D239,730 S * 4/1976 Thomas D10/114
- D245,447 S * 8/1977 Brudy et al. D10/121
- D326,237 S * 5/1992 Gale et al. D10/114
- D402,577 S * 12/1998 Payne et al. D10/114
- D513,477 S * 1/2006 Heftman D10/111
- D544,805 S * 6/2007 Corrigan et al. D10/111

1 Claim, 3 Drawing Sheets



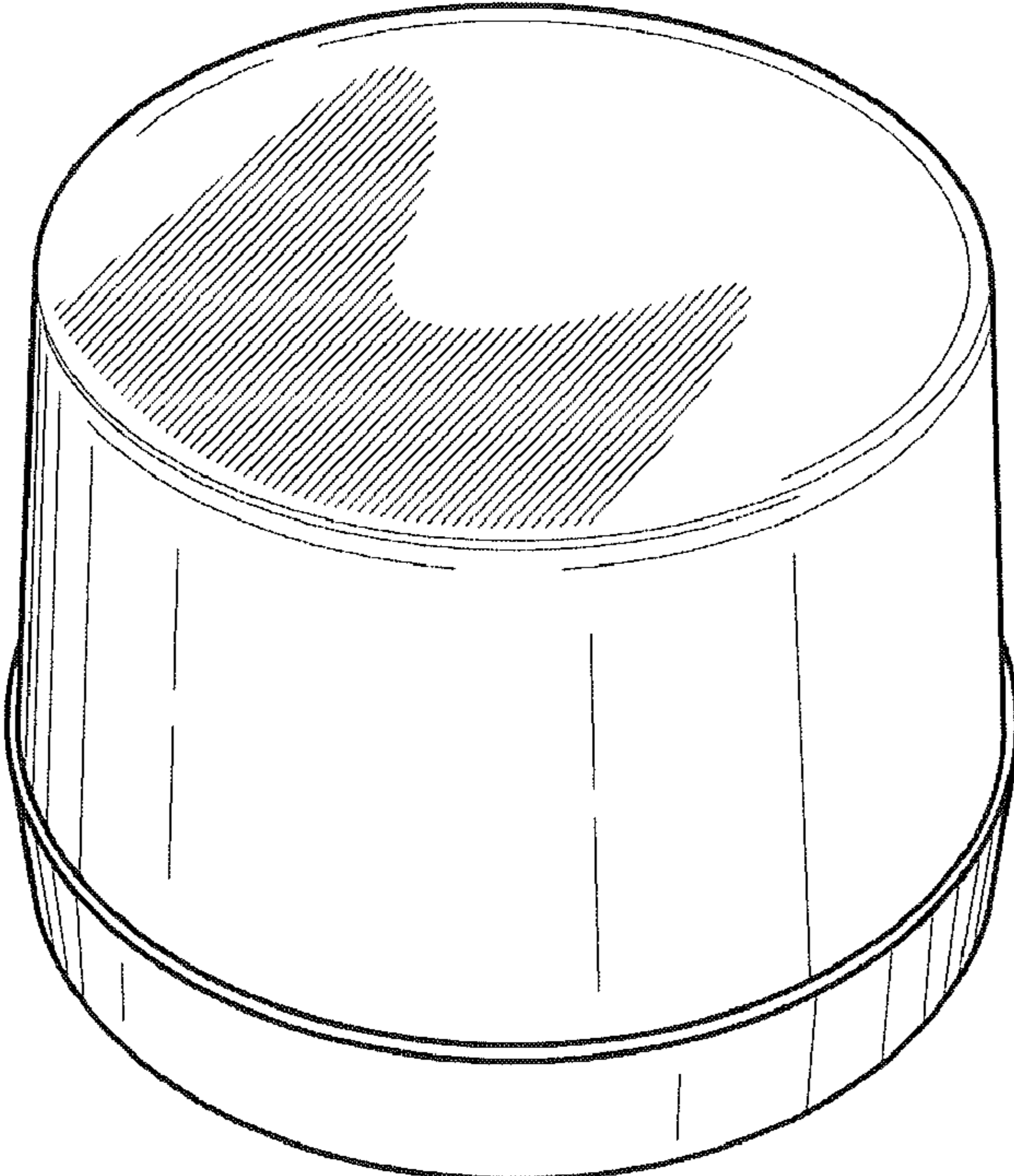


FIG. 1

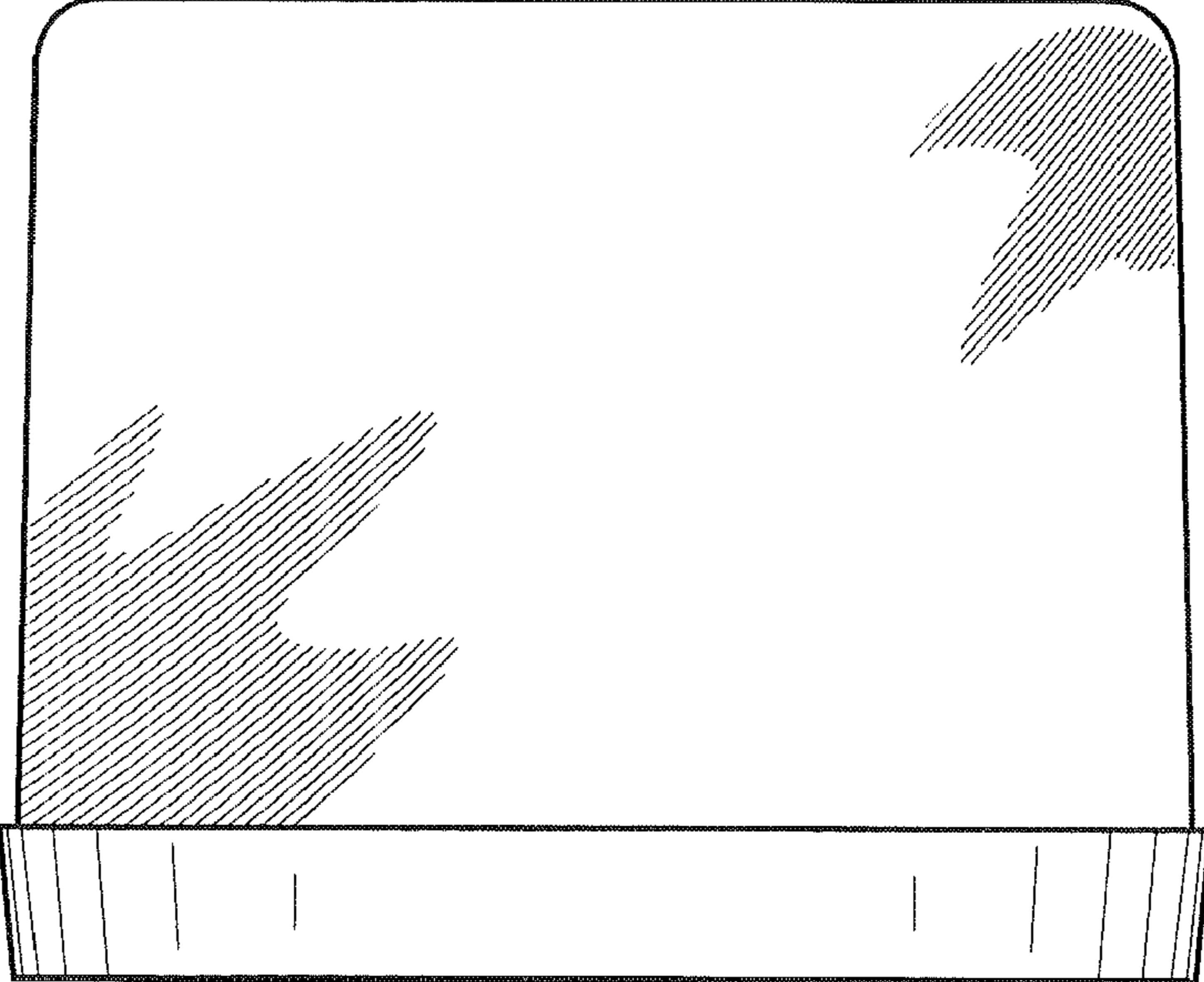


FIG. 2

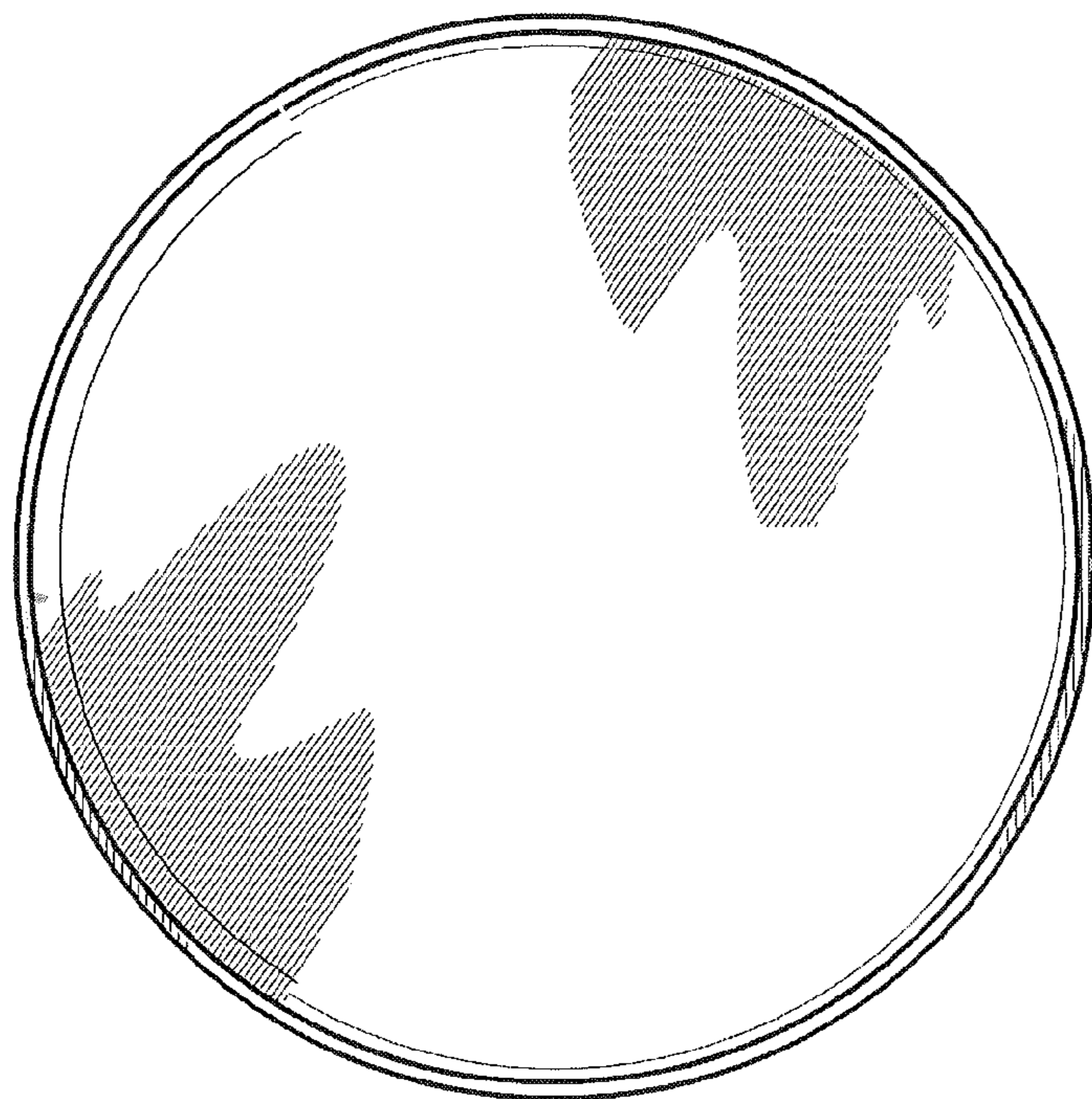


FIG. 3

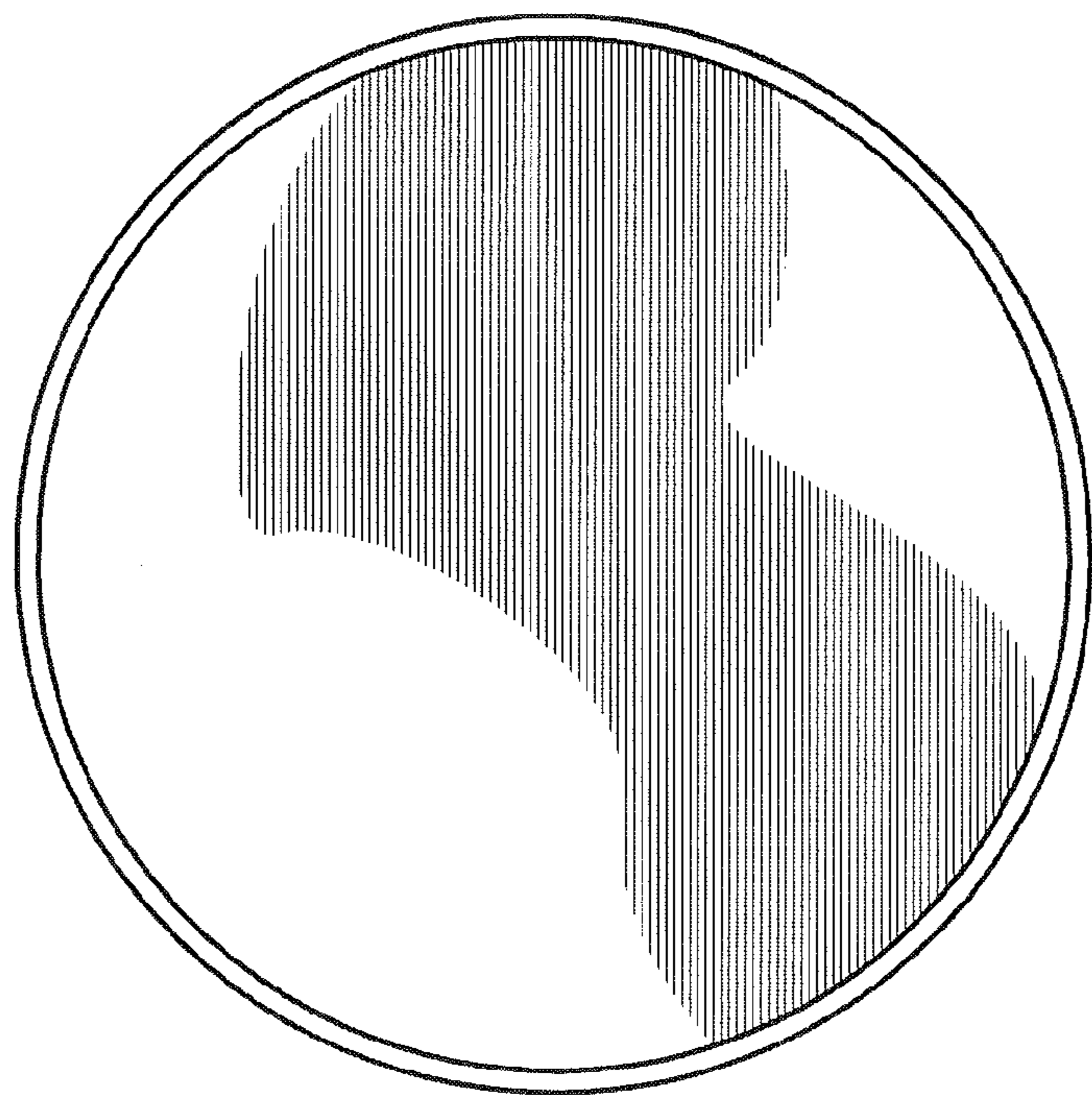


FIG. 4

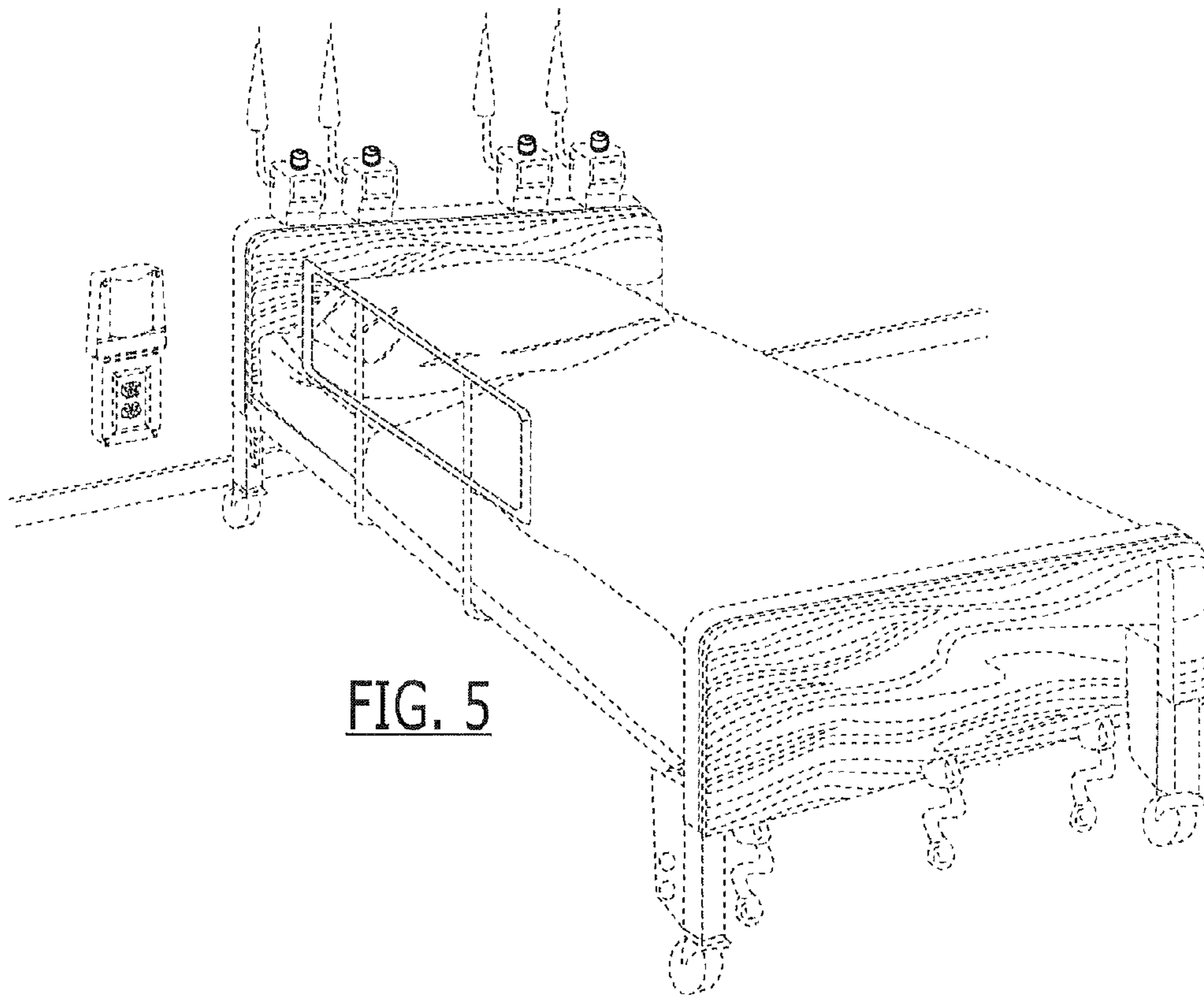


FIG. 5