



US00D616753S

(12) **United States Design Patent**
Beam et al.

(10) **Patent No.:** **US D616,753 S**
(45) **Date of Patent:** **** Jun. 1, 2010**

(54) **CONTAINER**

(75) Inventors: **Erin Melcher Beam**, Califon, NJ (US);
Stephen Wahl, San Francisco, CA (US);
Opher Doron Yom Tov, San Francisco,
CA (US); **Alan Regala**, Mountain View,
CA (US); **Stephen Kim**, San Francisco,
CA (US)

(73) Assignee: **McNeil-PPC, Inc.**, Skillman, NJ (US)

(**) Term: **14 Years**

(21) Appl. No.: **29/322,141**

(22) Filed: **Jul. 30, 2008**

Related U.S. Application Data

(60) Division of application No. 29/289,119, filed on Jul. 6, 2007, now Pat. No. Des. 576,037, which is a continuation of application No. 29/286,015, filed on Apr. 18, 2007, now abandoned, which is a continuation-in-part of application No. 29/285,980, filed on Apr. 18, 2007, now Pat. No. Des. 573,474, which is a continuation-in-part of application No. 29/285,981, filed on Apr. 18, 2007, now abandoned, which is a continuation of application No. 11/375,774, filed on Mar. 15, 2006.

(51) **LOC (9) Cl.** **09-01**

(52) **U.S. Cl.** **D9/529; D9/420; D9/449**

(58) **Field of Classification Search** D3/5,
D3/11, 203.5, 265, 266; D9/686, 529, 549,
D9/556, 558, 569, 574-575, 420, 423, 435,
D9/446-447, 449; 215/382-384, 396, 398;
220/660; D28/7, 85

See application file for complete search history.

(56) **References Cited**

U.S. PATENT DOCUMENTS

969,329 A * 9/1910 Blake 220/504
1,748,430 A * 2/1930 Stringham D3/265 X

D215,817 S * 11/1969 Gorman D9/687
D302,659 S * 8/1989 Peterson et al. D9/529
D333,975 S * 3/1993 Moore D9/687
D357,186 S * 4/1995 Dinand D9/529
D367,605 S * 3/1996 Moore D9/686
D400,009 S * 10/1998 Conway D3/265
D432,784 S * 10/2000 Conway D3/203.5
D436,434 S * 1/2001 Conway D3/203.5
6,170,651 B1 * 1/2001 Taormina 206/5
D441,953 S * 5/2001 Ben Moshe D3/265
D455,261 S * 4/2002 Browne D3/265
D500,641 S * 1/2005 Wolf et al. D7/629
D555,490 S * 11/2007 Liu D9/549
D573,474 S * 7/2008 Beam et al. D9/529
D577,993 S * 10/2008 Zanaletti D9/424
D599,670 S * 9/2009 Qin D9/686 X

* cited by examiner

Primary Examiner—Carol Rademaker

(74) *Attorney, Agent, or Firm*—Karen G. Horowitz

(57) **CLAIM**

The ornamental design for a container, as shown and described.

DESCRIPTION

FIG. 1 is a top, back, and right side perspective view of a container showing my new design;

FIG. 2 is a right side elevational view thereof;

FIG. 3 is left side elevational view thereof;

FIG. 4 is a front elevational view thereof;

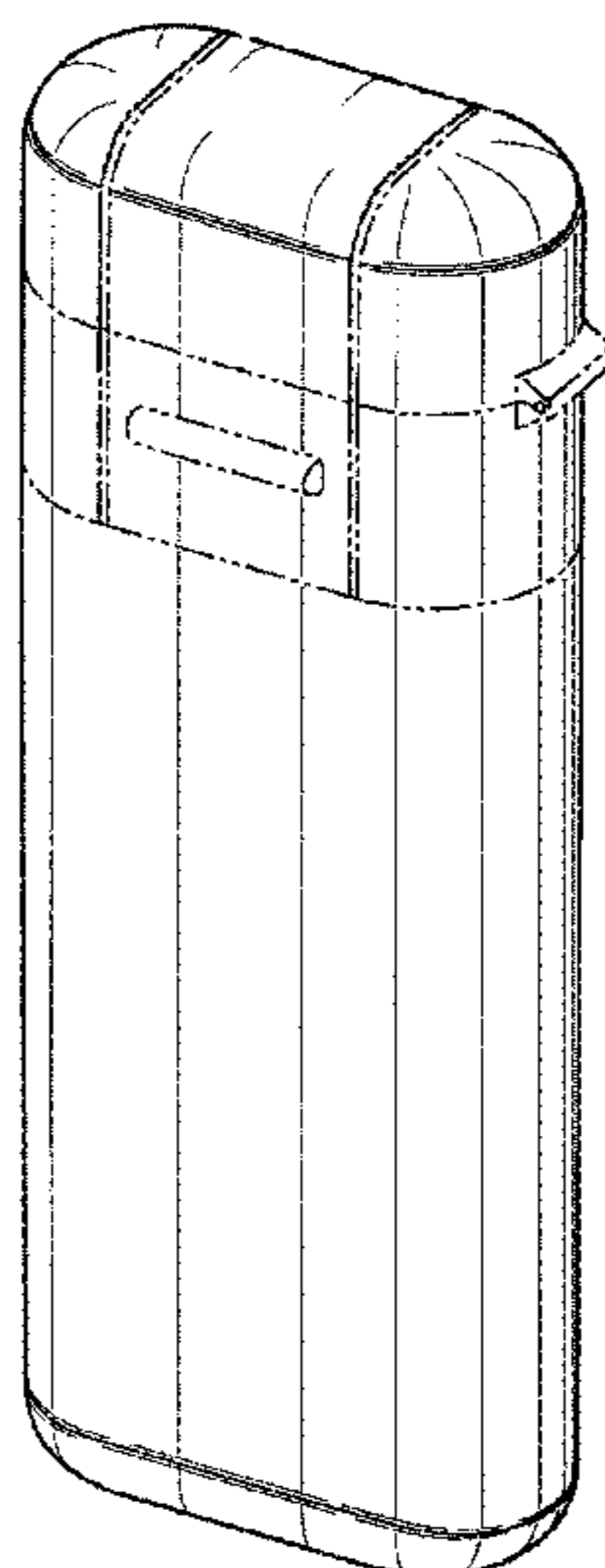
FIG. 5 is a back elevational view thereof;

FIG. 6 is a top plan view thereof; and,

FIG. 7 is a bottom plan view thereof.

The broken lines in the drawings are illustrative and form no part of the claimed design, and have been included for the purpose of illustrating a lower boundary of the cap and features of the cap that form no part of the claimed design.

1 Claim, 6 Drawing Sheets



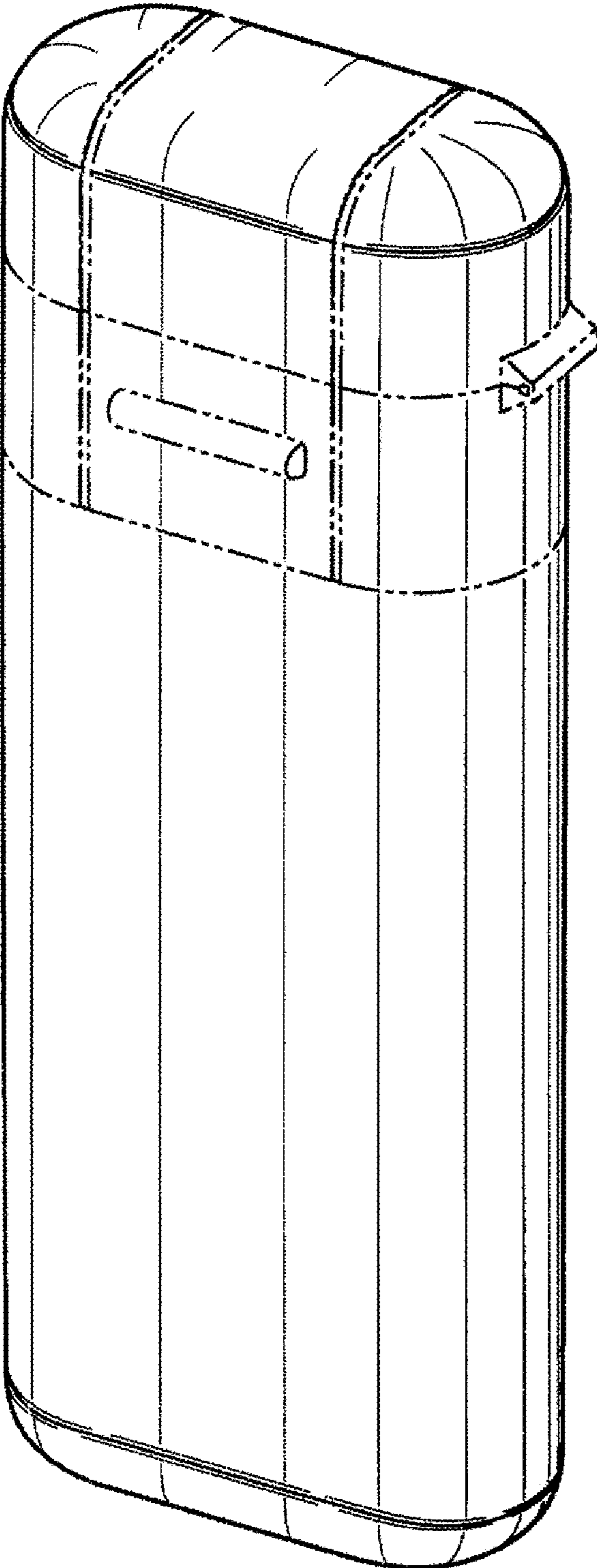


Fig. 1

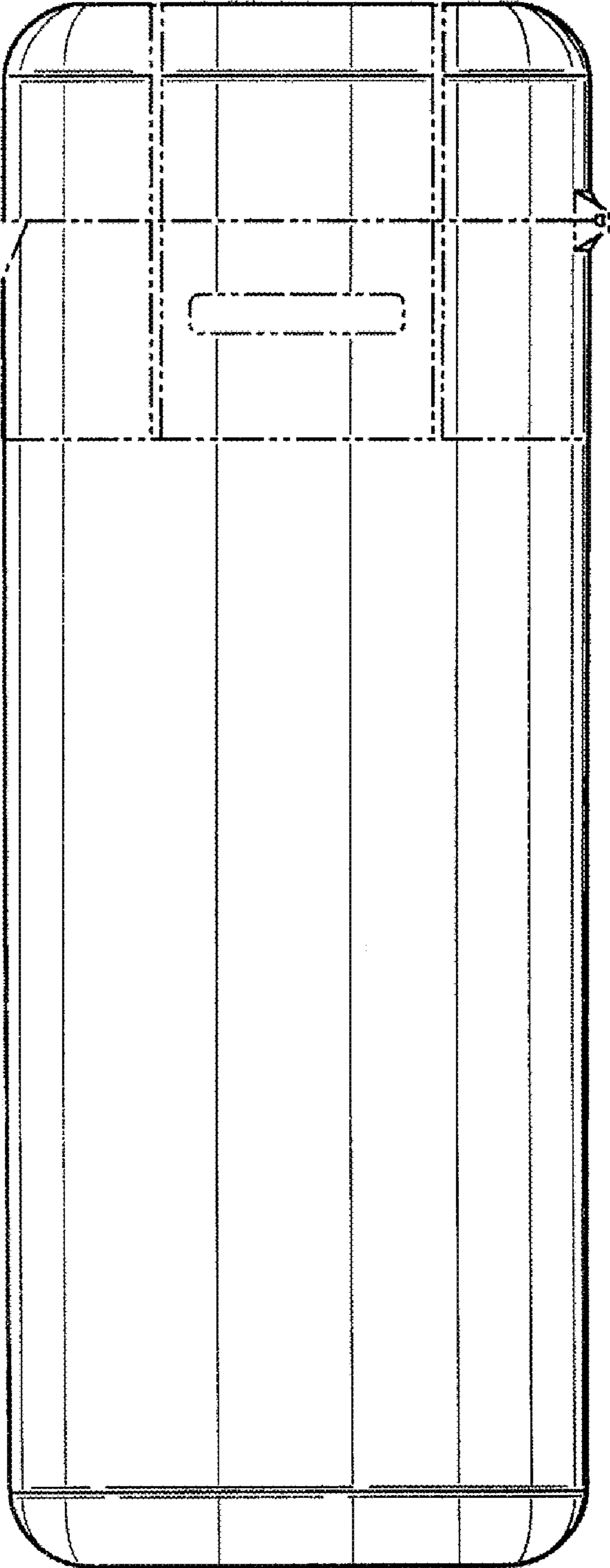


Fig. 2

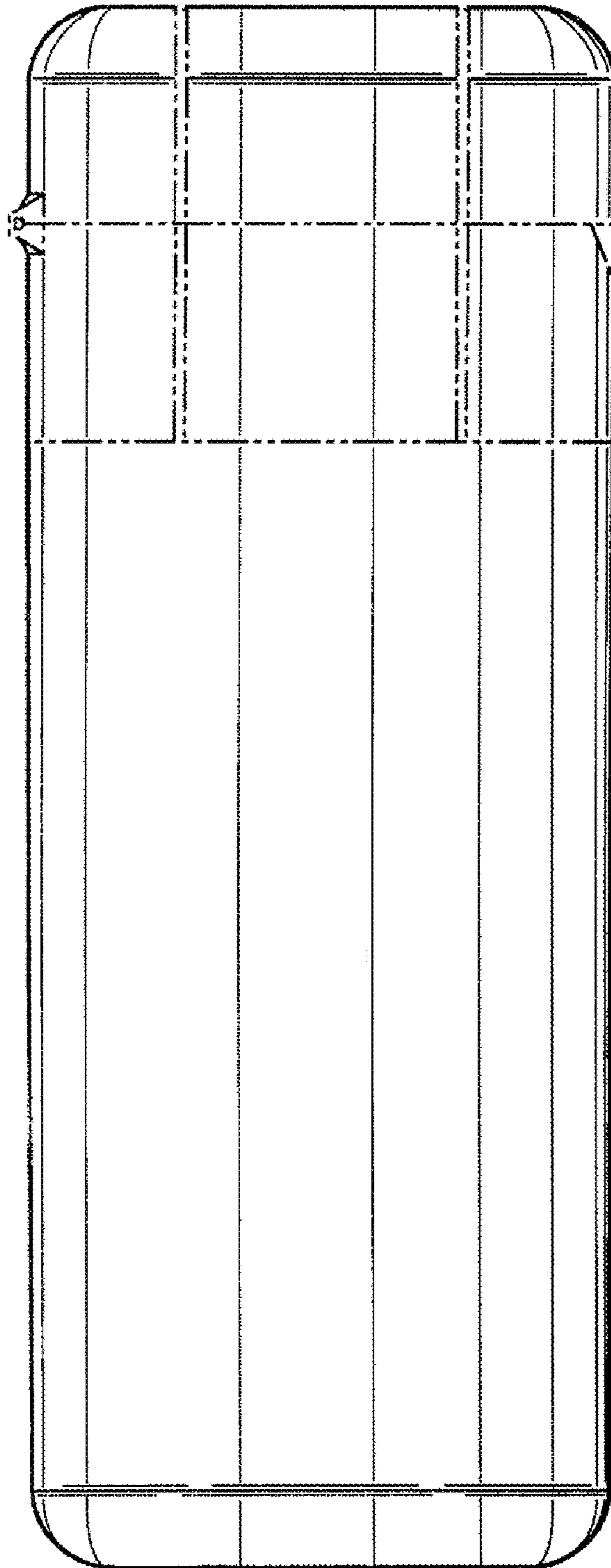


Fig. 3

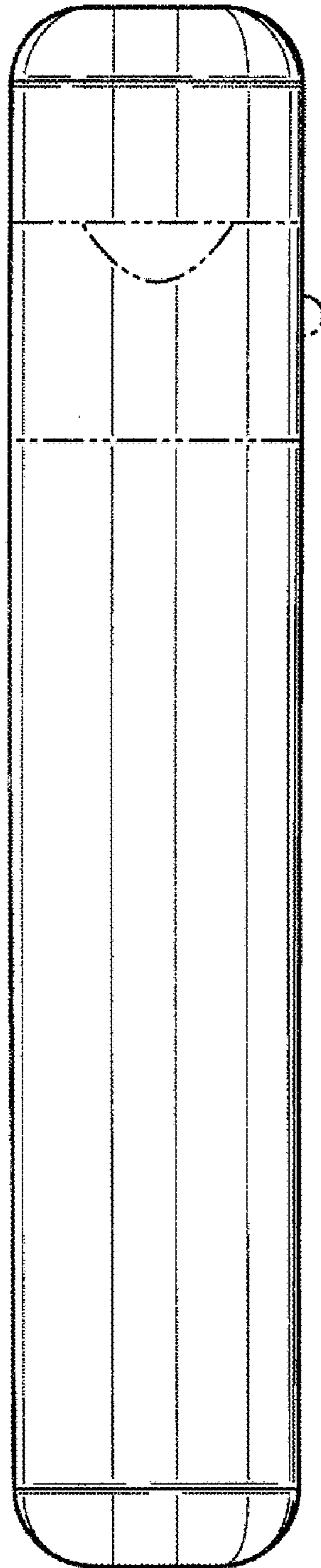


Fig. 4

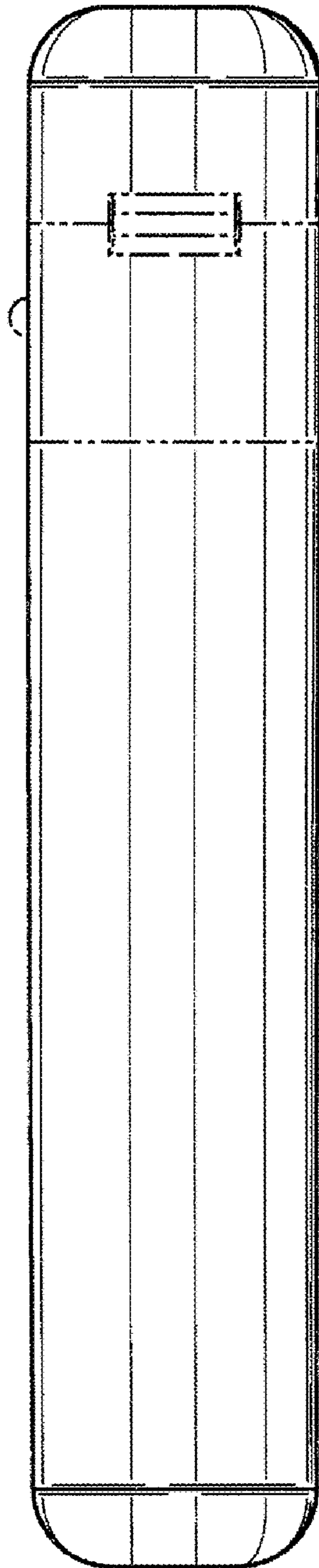


Fig. 5

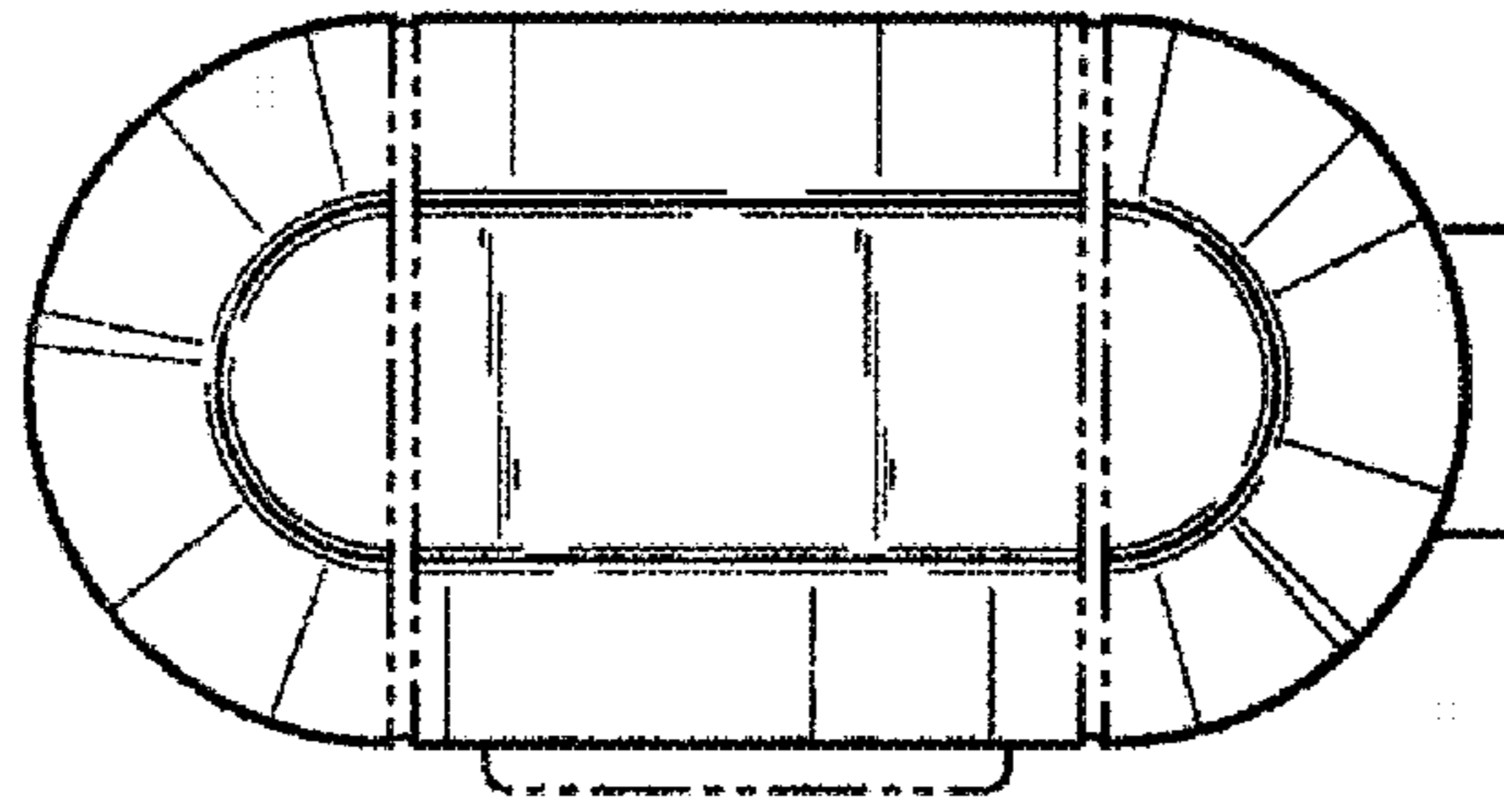


Fig. 6

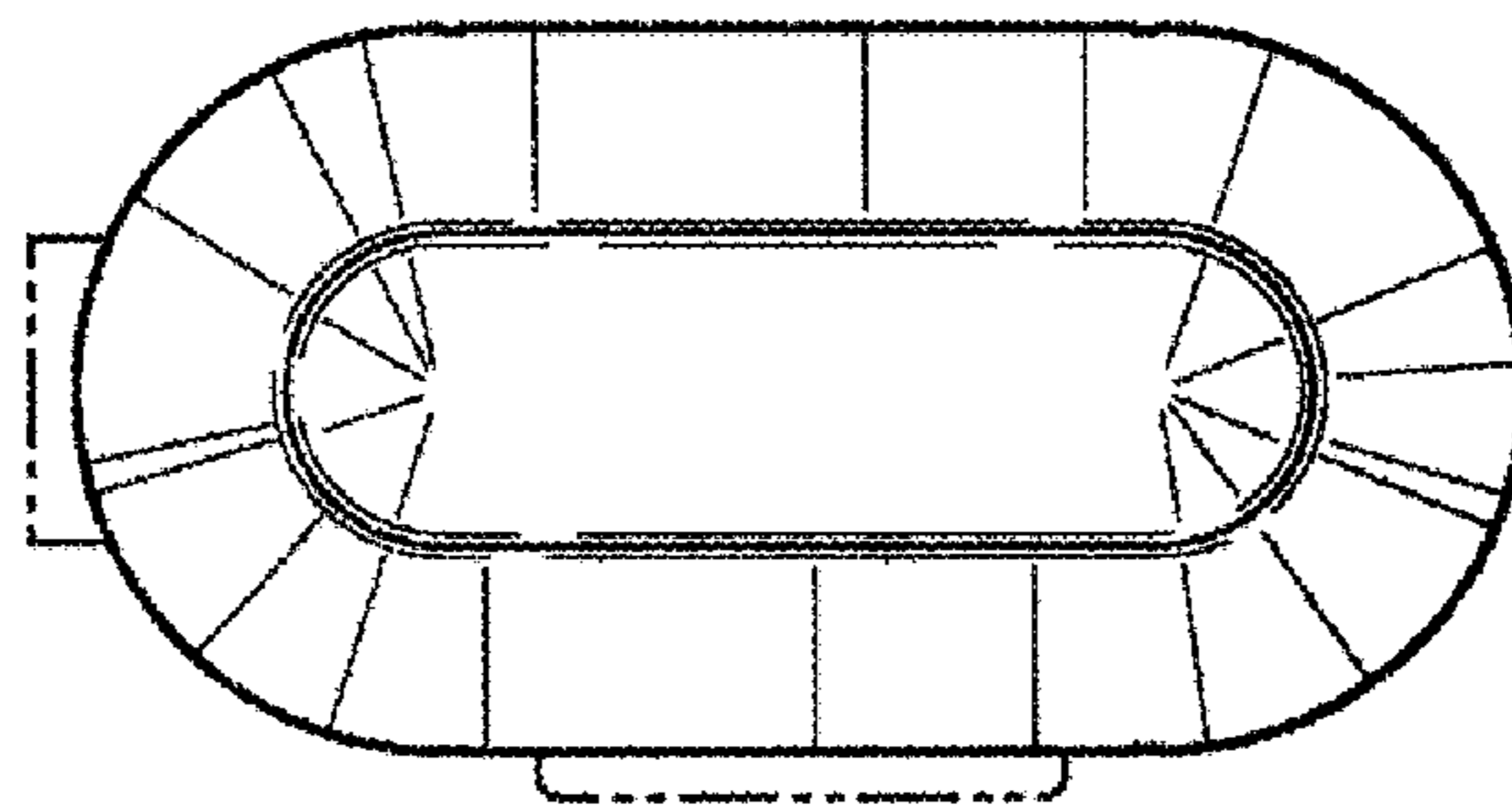


Fig. 7