



US00D616748S

(12) **United States Design Patent**
Nakamura et al.

(10) **Patent No.:** **US D616,748 S**
(45) **Date of Patent:** **** Jun. 1, 2010**

(54) **FLASK AND CAP**

DESCRIPTION

(75) Inventors: **Denise Seiko Nakamura**, São Paulo SP (BR); **Romulo Del Tedesco Zamberlan**, São Paulo SP (BR); **Flávia Bartholomeu**, Cajamar SP (BR)

(73) Assignee: **Natura Cosméticos S.A.**, Sao Paulo (BR)

(**) Term: **14 Years**

(21) Appl. No.: **29/328,998**

(22) Filed: **Dec. 5, 2008**

(30) **Foreign Application Priority Data**

Jul. 21, 2008 (BR) DI6803313-3

(51) **LOC (9) Cl.** **09-01**

(52) **U.S. Cl.** **D9/503; D9/443; D9/504**

(58) **Field of Classification Search** D9/500, D9/502-505, 516, 529, 537, 539, 540, 545, D9/549, 558, 682, 686-692, 434-435, 443-444, D9/452-454; 215/379, 381-382; 220/660, 220/662, 669-673, 675
See application file for complete search history.

(56) **References Cited**

U.S. PATENT DOCUMENTS

3,118,573 A * 1/1964 Krogdale 222/212
(Continued)

OTHER PUBLICATIONS

U.S. Appl. No. 29/303,069, filed Jan. 31, 2008; In re: Britto; entitled *Bottle*.

Primary Examiner—Ian Simmons

Assistant Examiner—Dana L Sipos

(74) *Attorney, Agent, or Firm*—Alston & Bird LLP

(57) **CLAIM**

The ornamental design for a flask and cap, as shown and described.

FIG. 1 is a top perspective view of a flask and cap showing our new design;

FIG. 2 is a right side elevation view thereof, the left side elevation view being a mirror image;

FIG. 3 is a front elevation view thereof

FIG. 4 is a top plan view thereof;

FIG. 5 is a bottom plan view thereof;

FIG. 6 is an exploded top perspective view thereof;

FIG. 7 is a top perspective view of the collar portion of the claimed design;

FIG. 8 is a bottom perspective view thereof;

FIG. 9 is a top plan view thereof;

FIG. 10 is a bottom plan view thereof;

FIG. 11 is a front elevation view thereof, the rear elevation being identical;

FIG. 12 is a front elevation view of the flask portion of the claimed design;

FIG. 13 is a rear elevation view thereof;

FIG. 14 is a top plan view thereof;

FIG. 15 is a bottom plan view thereof;

FIG. 16 is a top perspective view of the cap portion of the claimed design;

FIG. 17 is a bottom perspective view thereof;

FIG. 18 is a top plan view thereof;

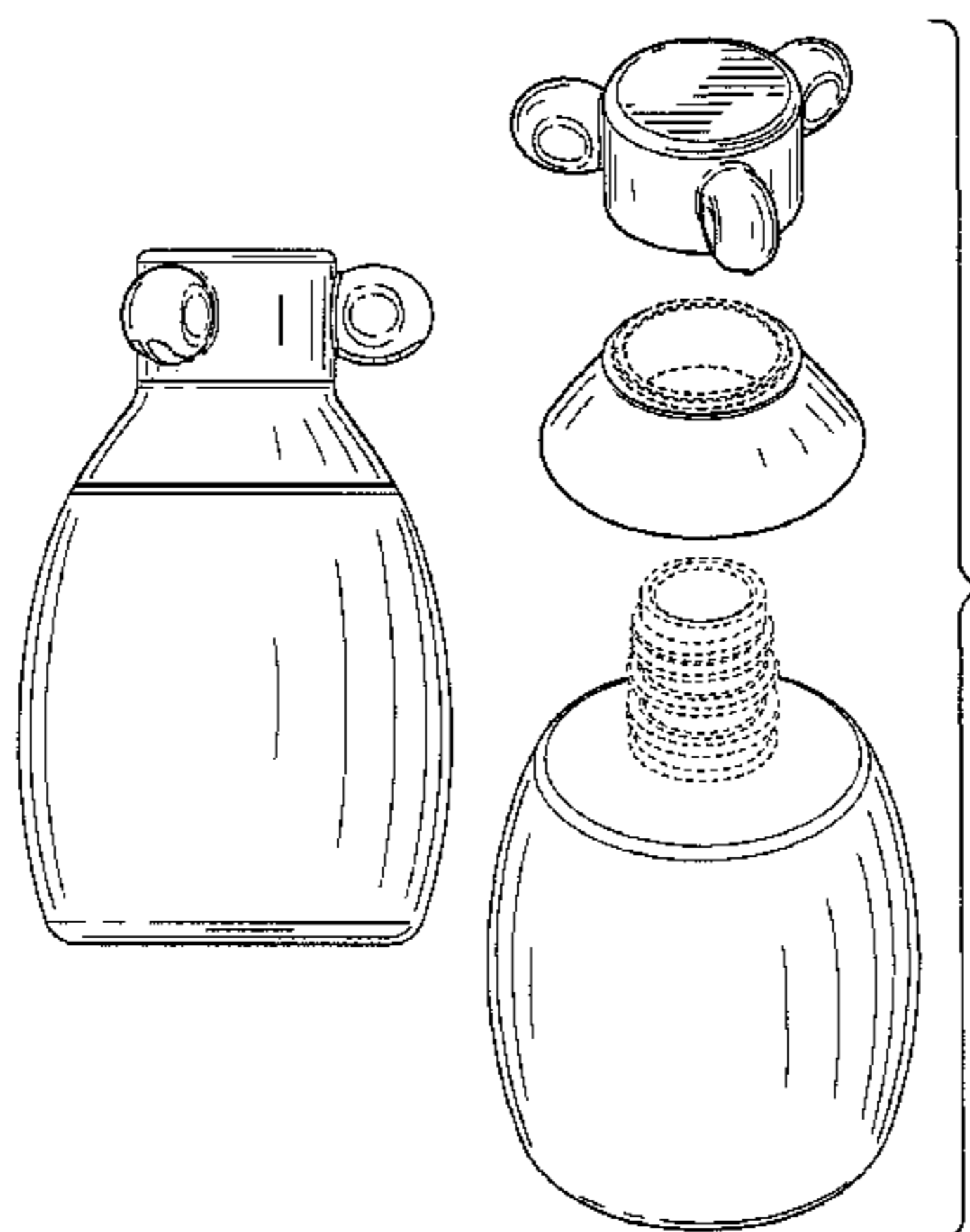
FIG. 19 is a bottom plan view thereof;

FIG. 20 is a front elevation view thereof; and,

FIG. 21 is a right side elevation view thereof, the left side elevation view being a mirror image.

The broken lines in the drawings showing the inner details of the collar and cap portions the threaded pour spout and neck of the and the bottom surfaces illustrate the portions of the design that form no part of the claim.

1 Claim, 6 Drawing Sheets



US D616,748 S

Page 2

U.S. PATENT DOCUMENTS

3,337,901 A * 8/1967 Schefer et al. 401/129
D208,885 S * 10/1967 Roehrich D9/503
D337,526 S * 7/1993 Teo D9/550
D379,585 S * 6/1997 Wright D9/690
D403,469 S * 12/1998 Driscoll D28/76
D423,360 S * 4/2000 Hirato et al. D9/504
D436,864 S * 1/2001 Slater D9/451
D442,633 S * 5/2001 Kalczynski D19/36
6,253,942 B1 * 7/2001 Elias 215/305

D450,808 S * 11/2001 Gottwald D23/250
D456,258 S * 4/2002 Chin D9/435
D484,039 S * 12/2003 Dretzka D9/691
D514,939 S 2/2006 Miozzo et al.

OTHER PUBLICATIONS

U.S. Appl. No. 29/324,026, filed Sep. 4, 2008; In re: Yoneda; entitled
Flask for Liquids.

* cited by examiner

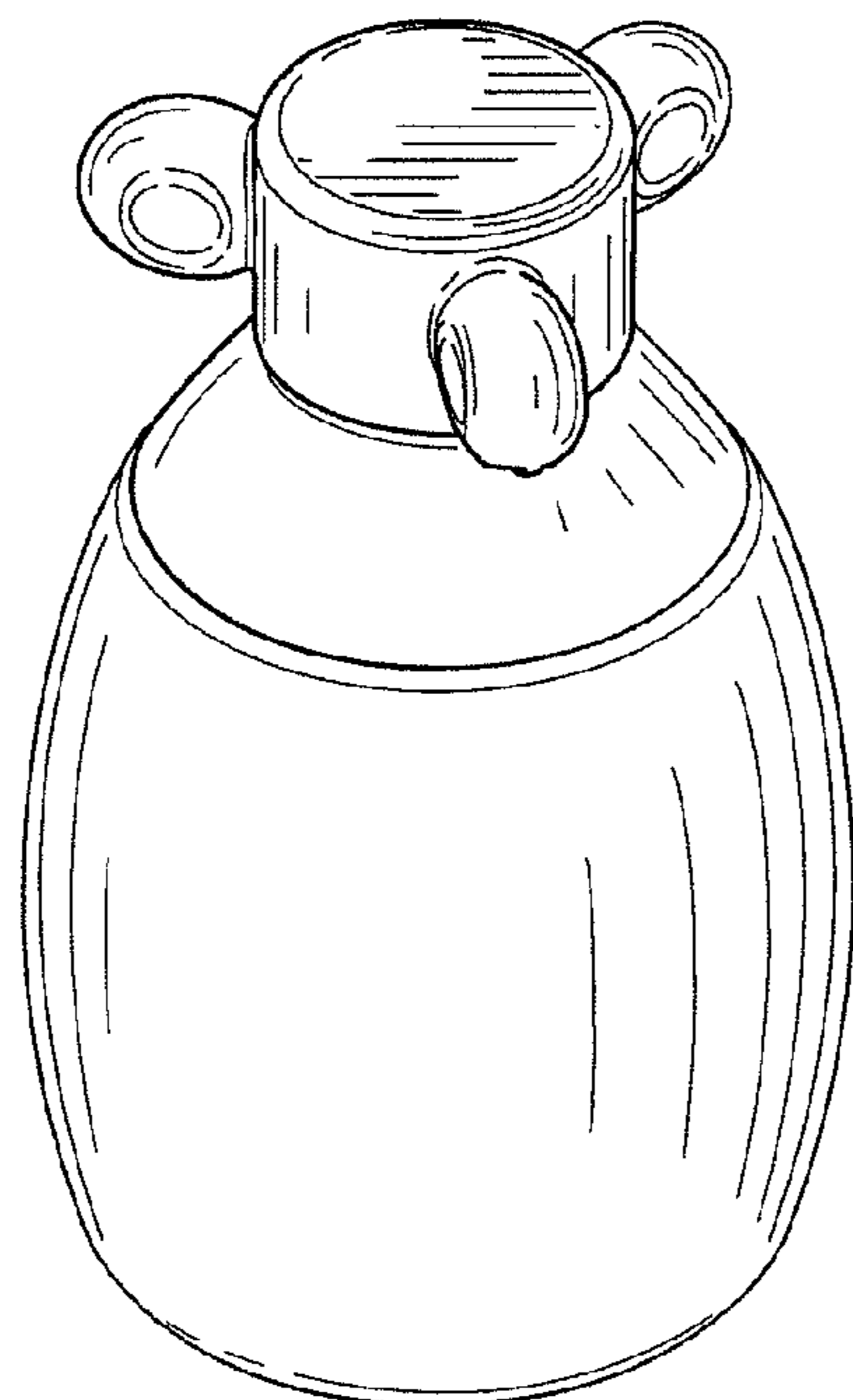


FIG. 1

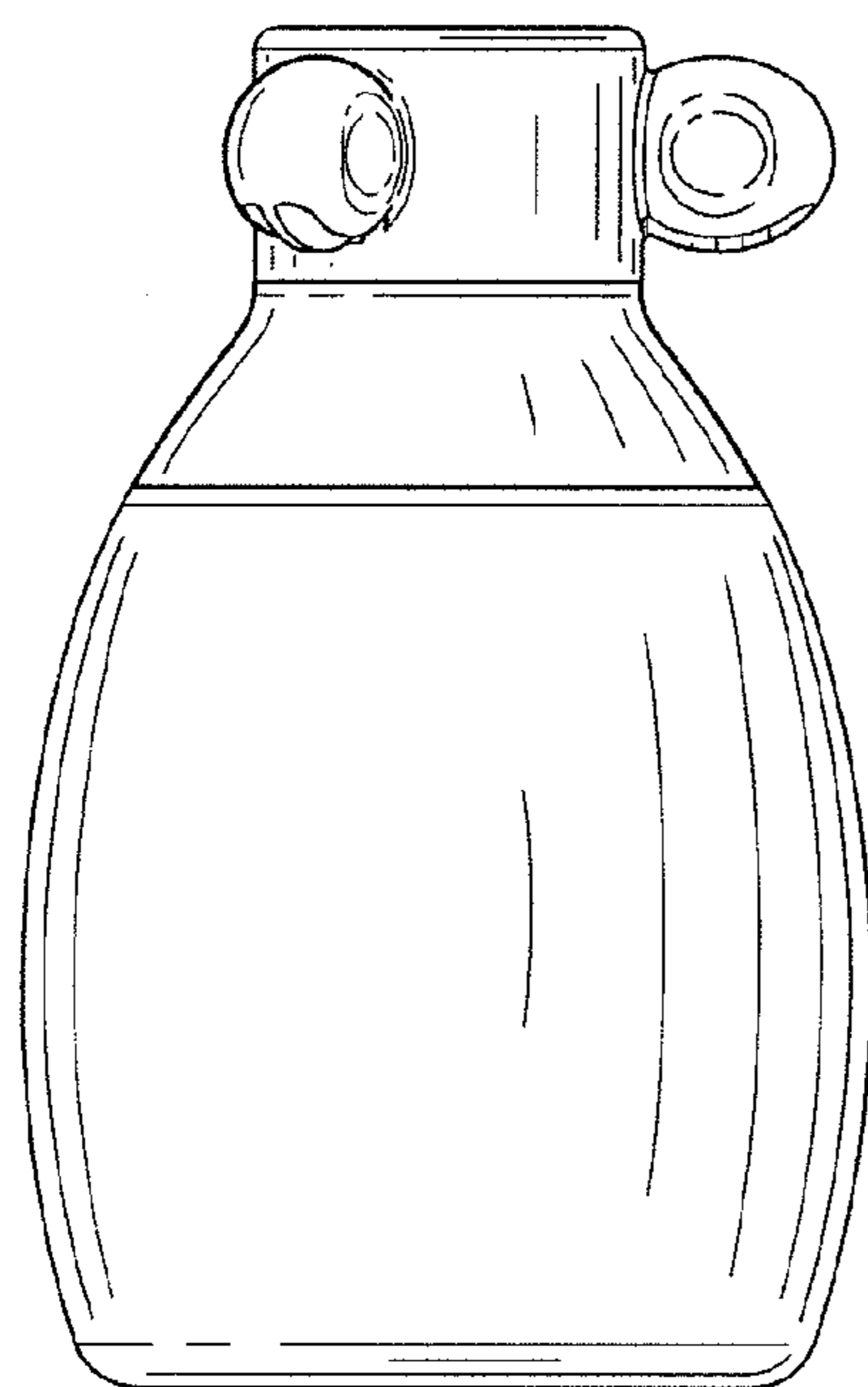


FIG. 2

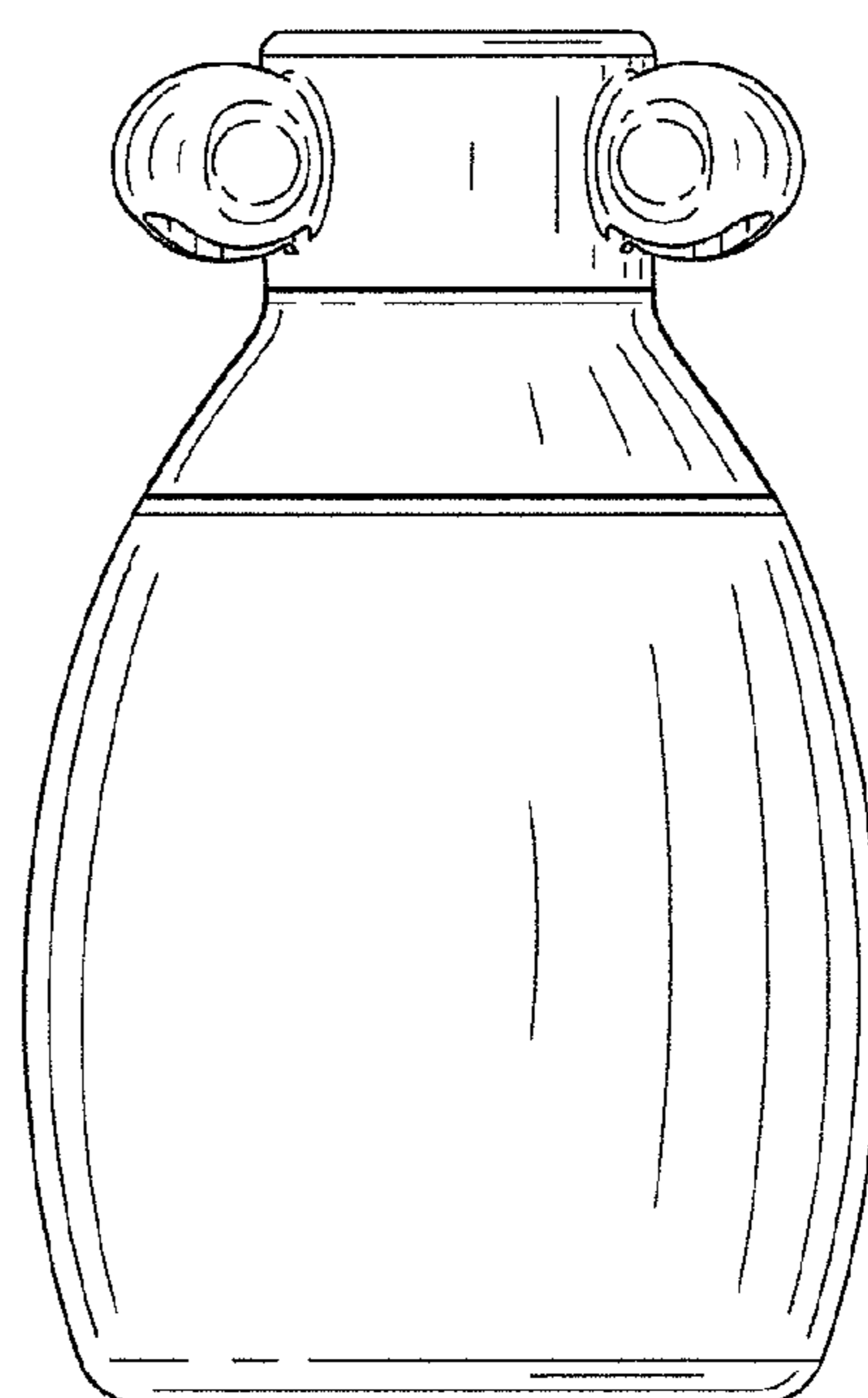


FIG. 3

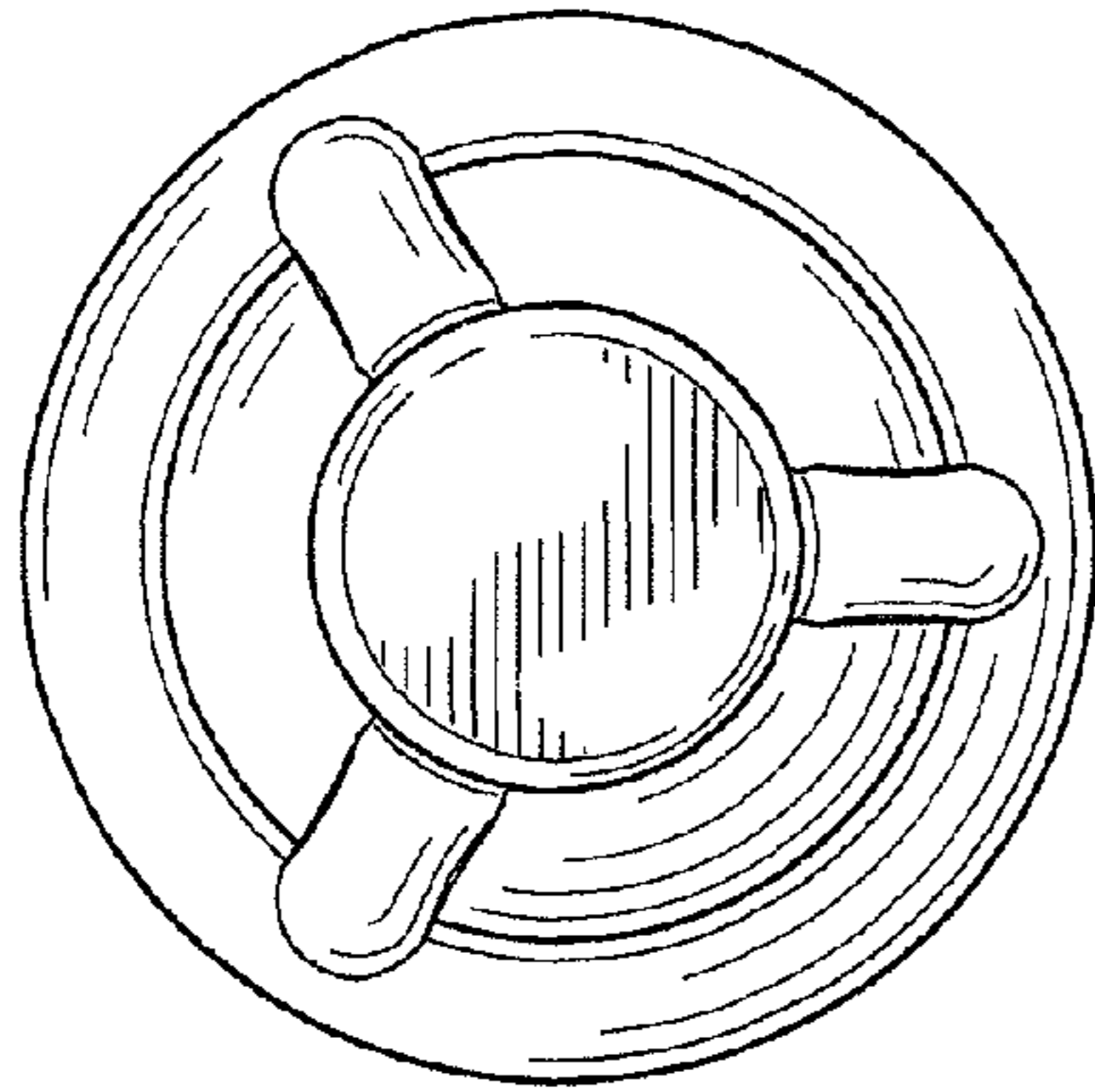


FIG. 4

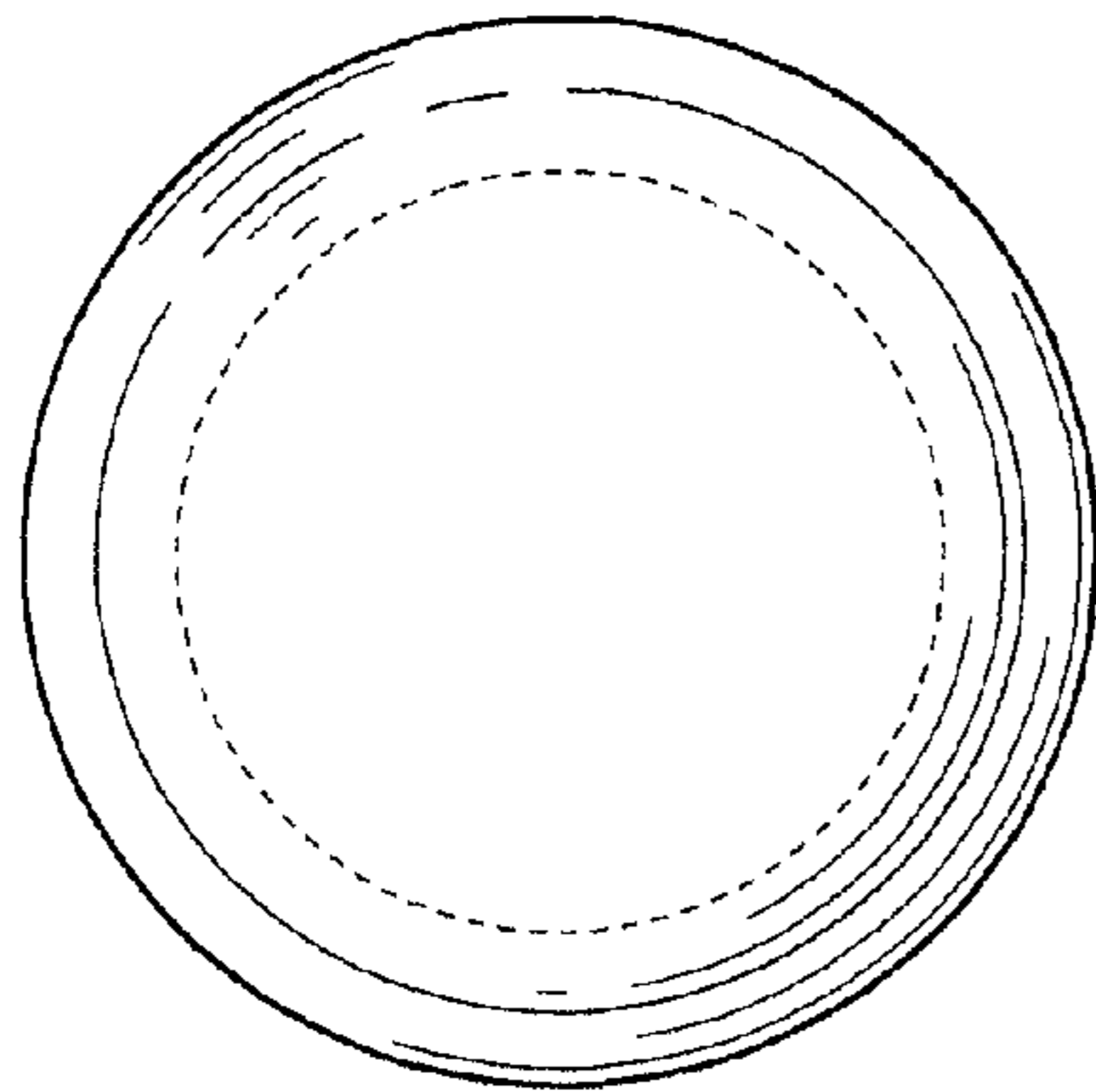


FIG. 5

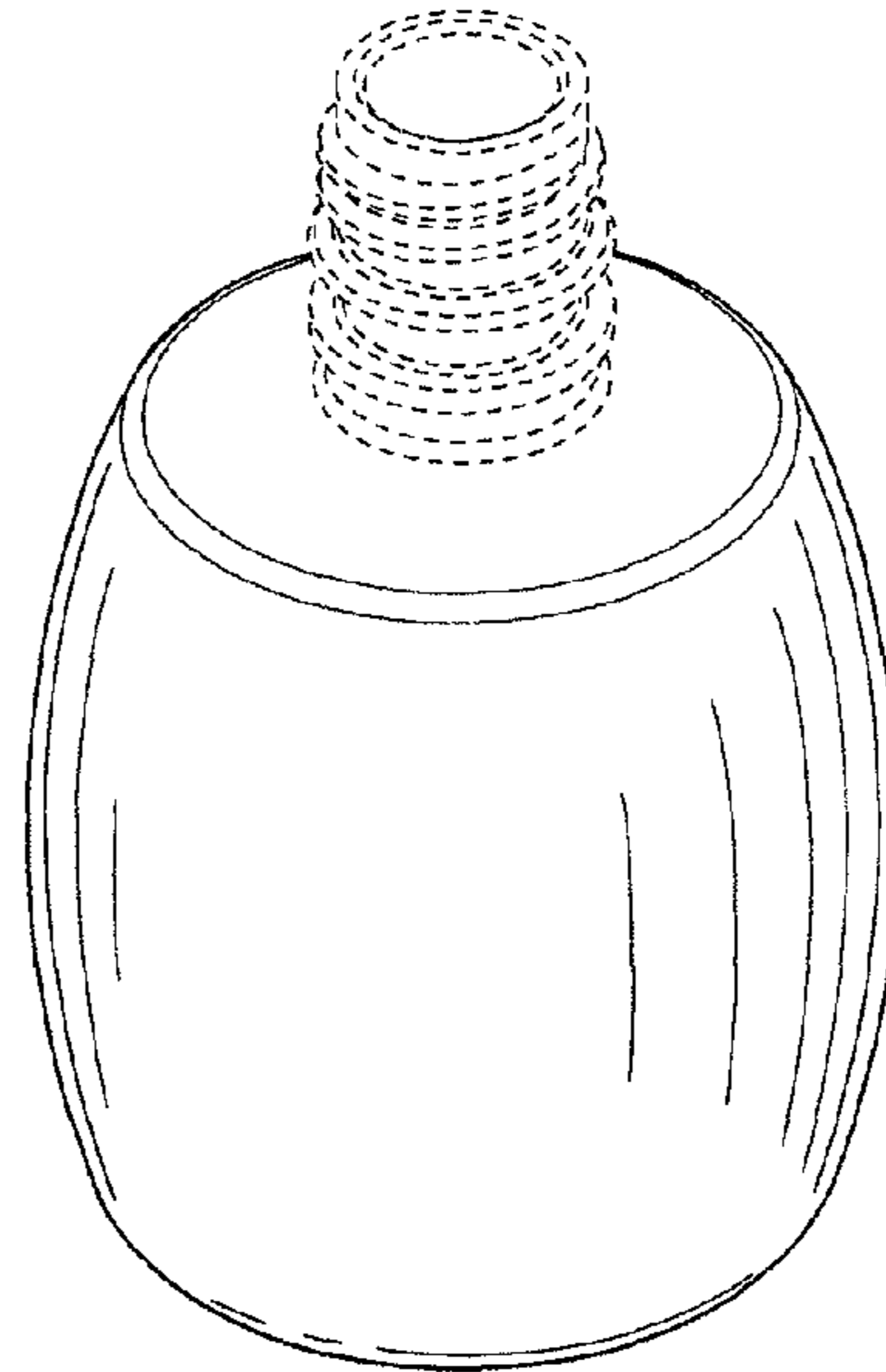
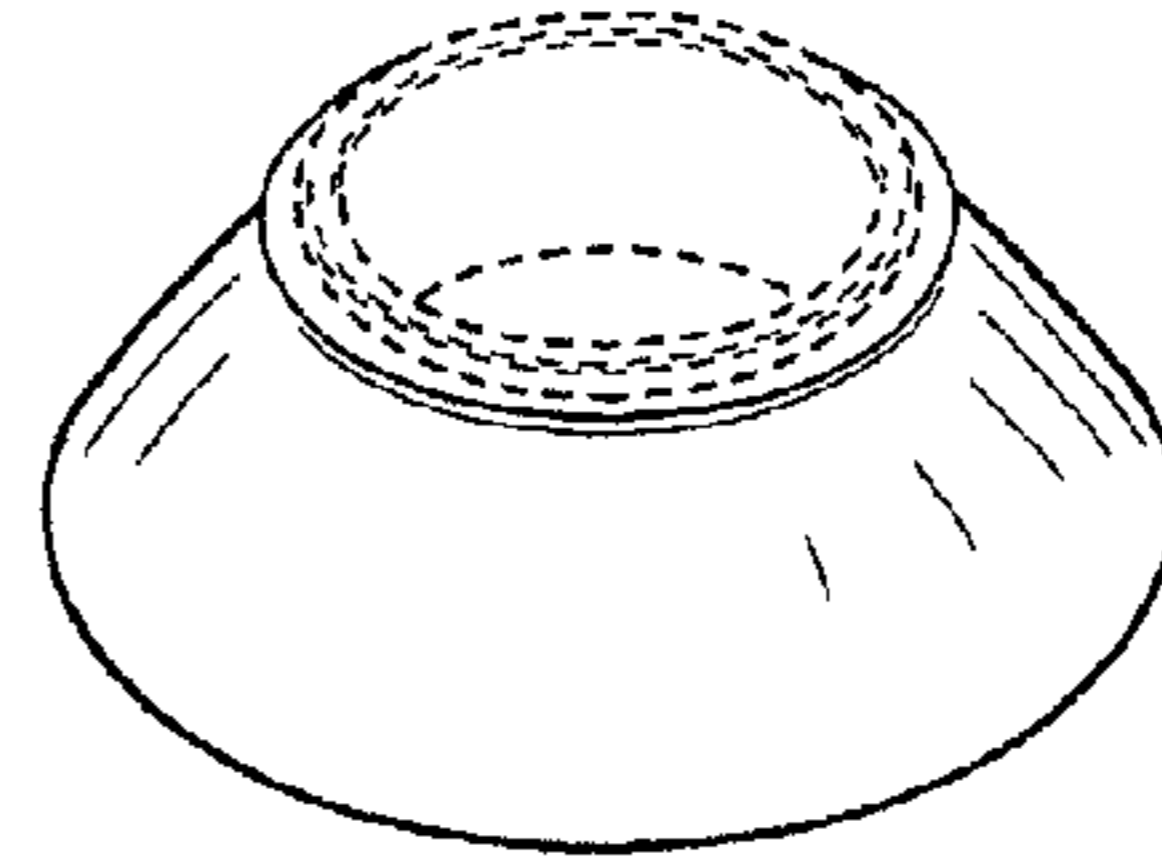
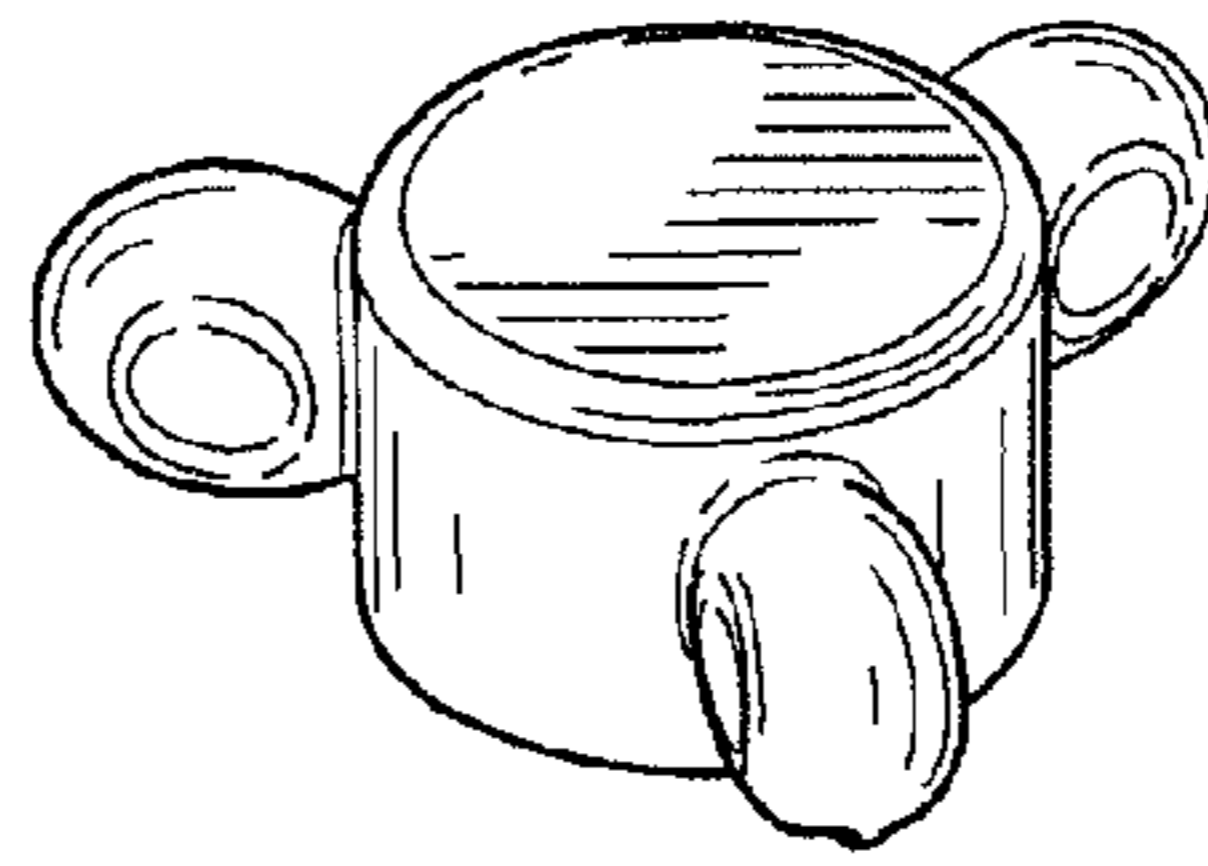


FIG. 6

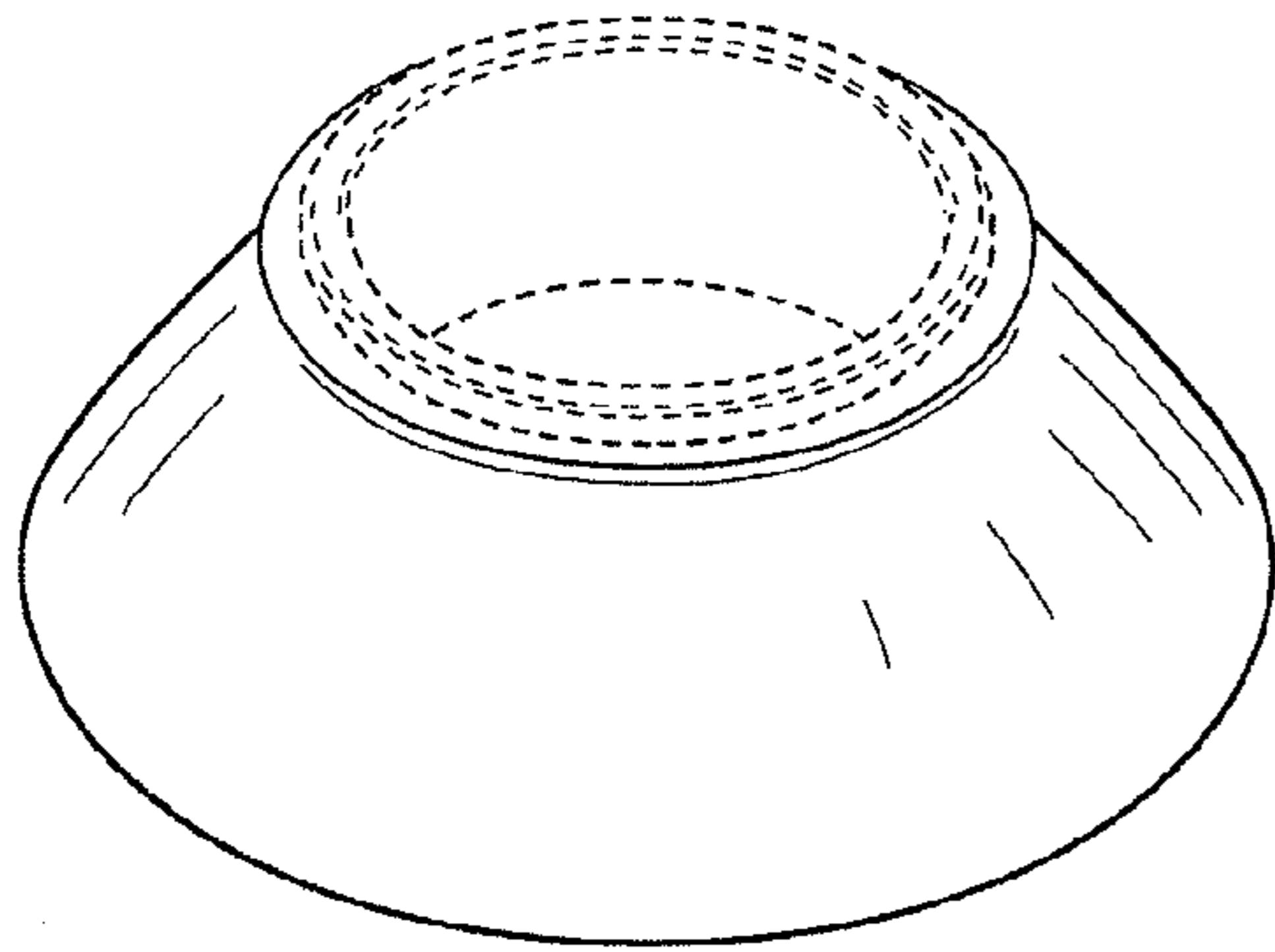


FIG. 7

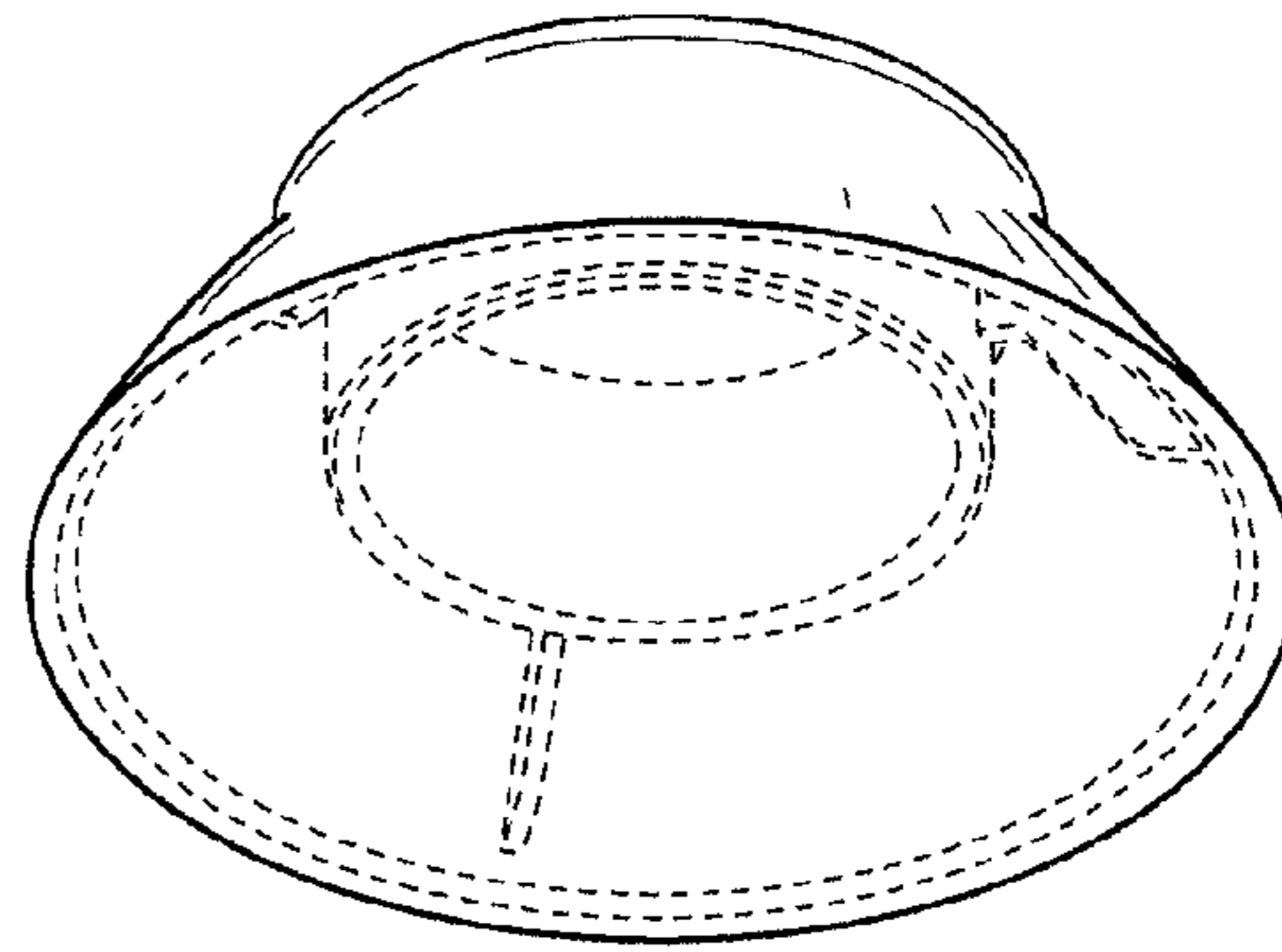


FIG. 8

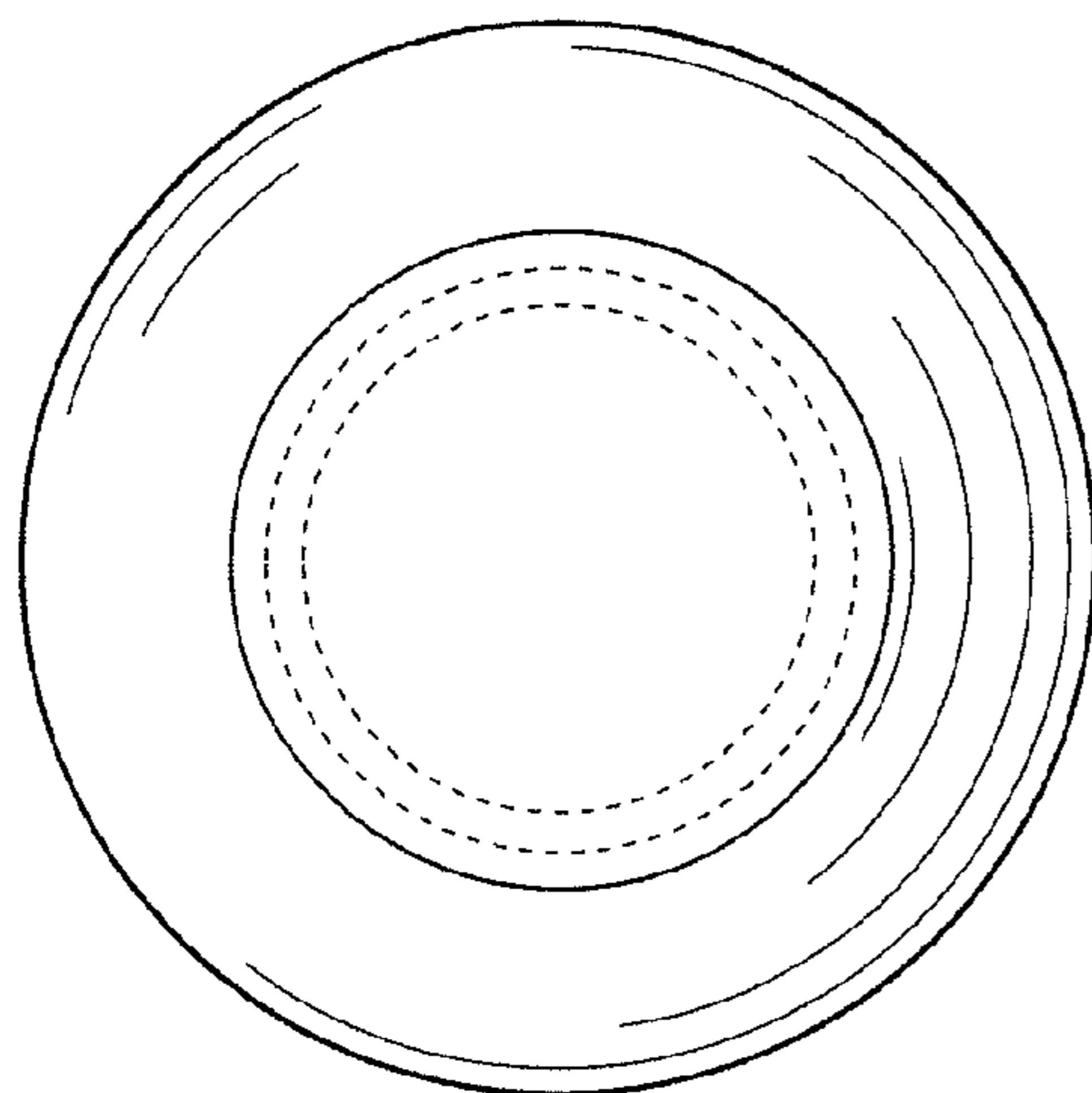


FIG. 9

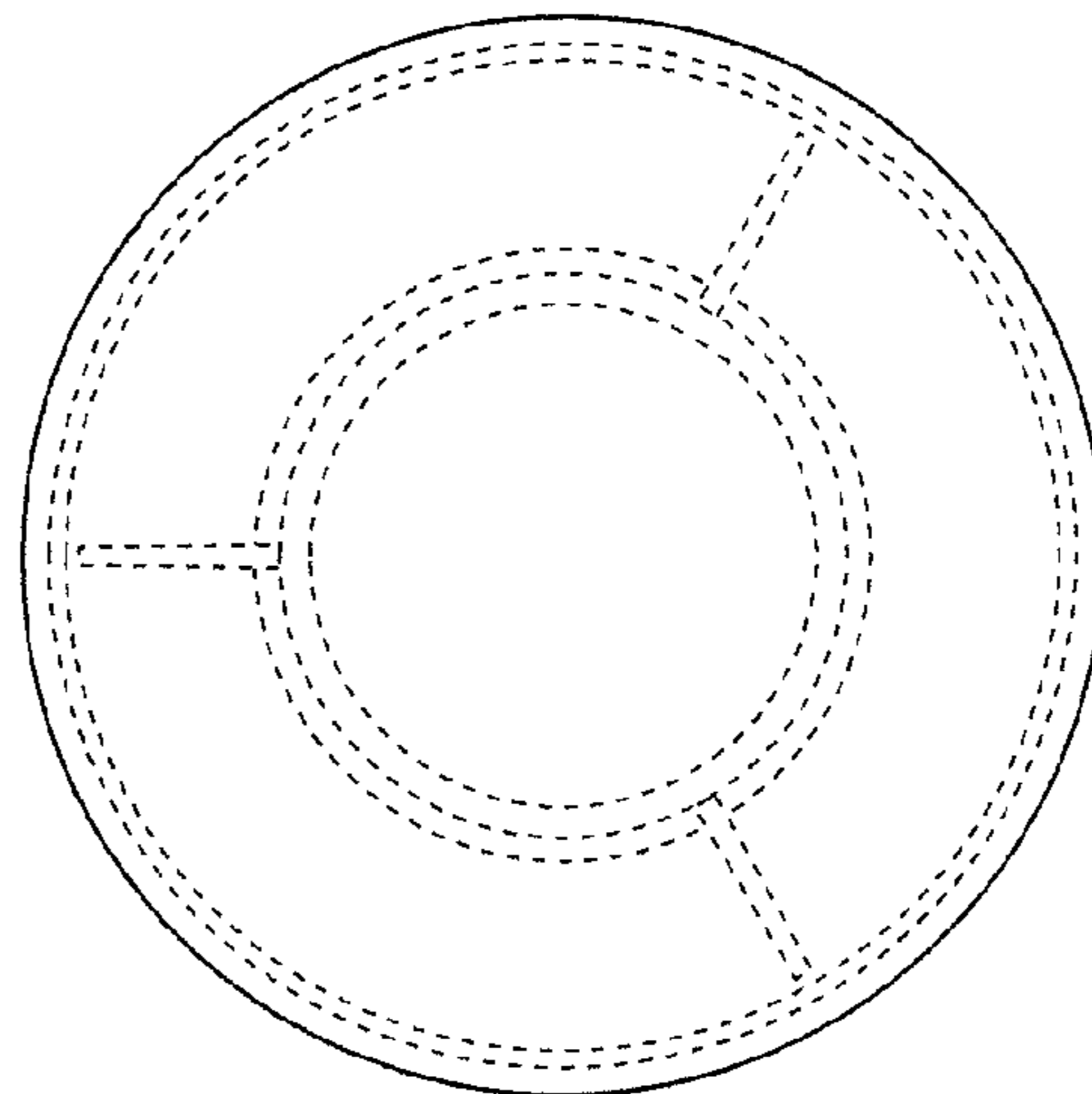


FIG. 10

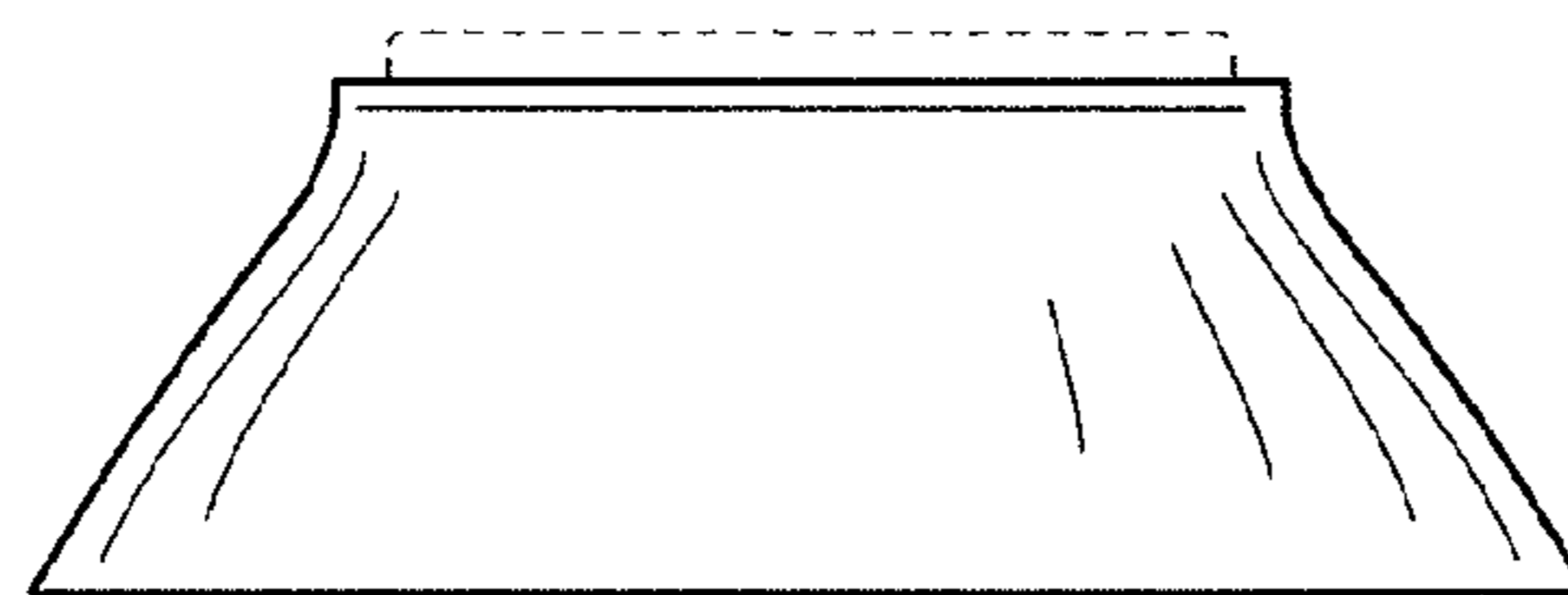


FIG. 11

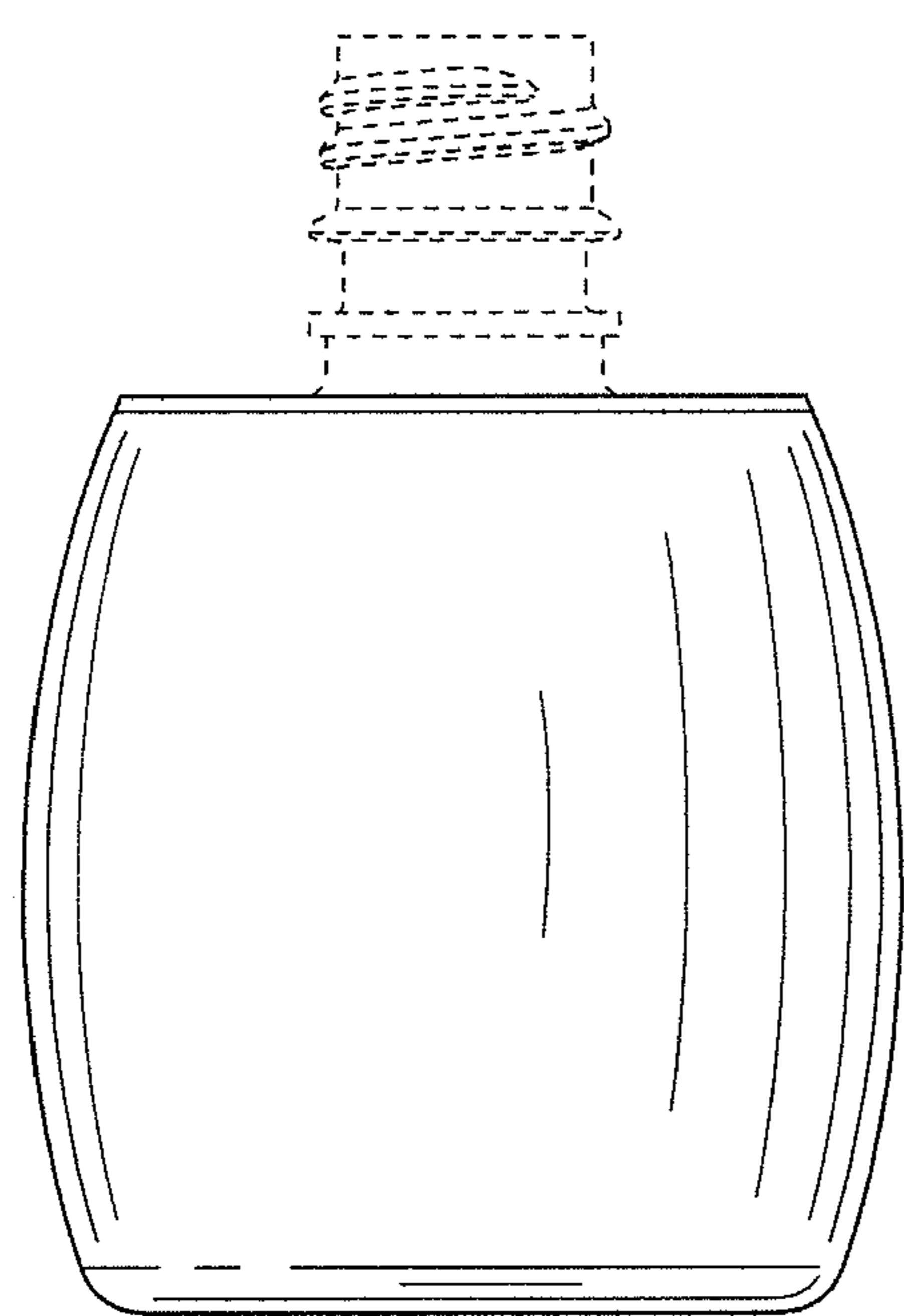


FIG. 12

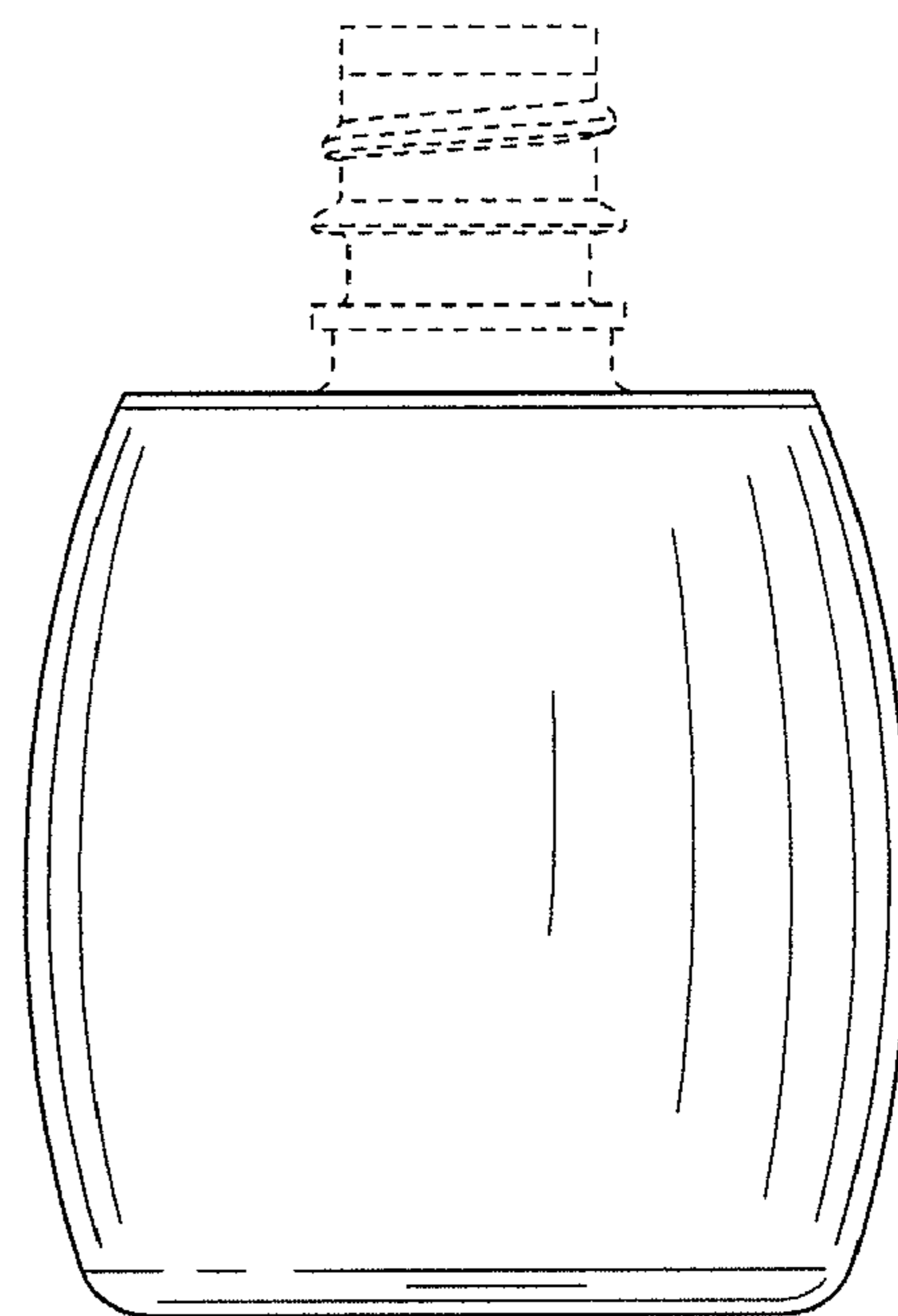


FIG. 13

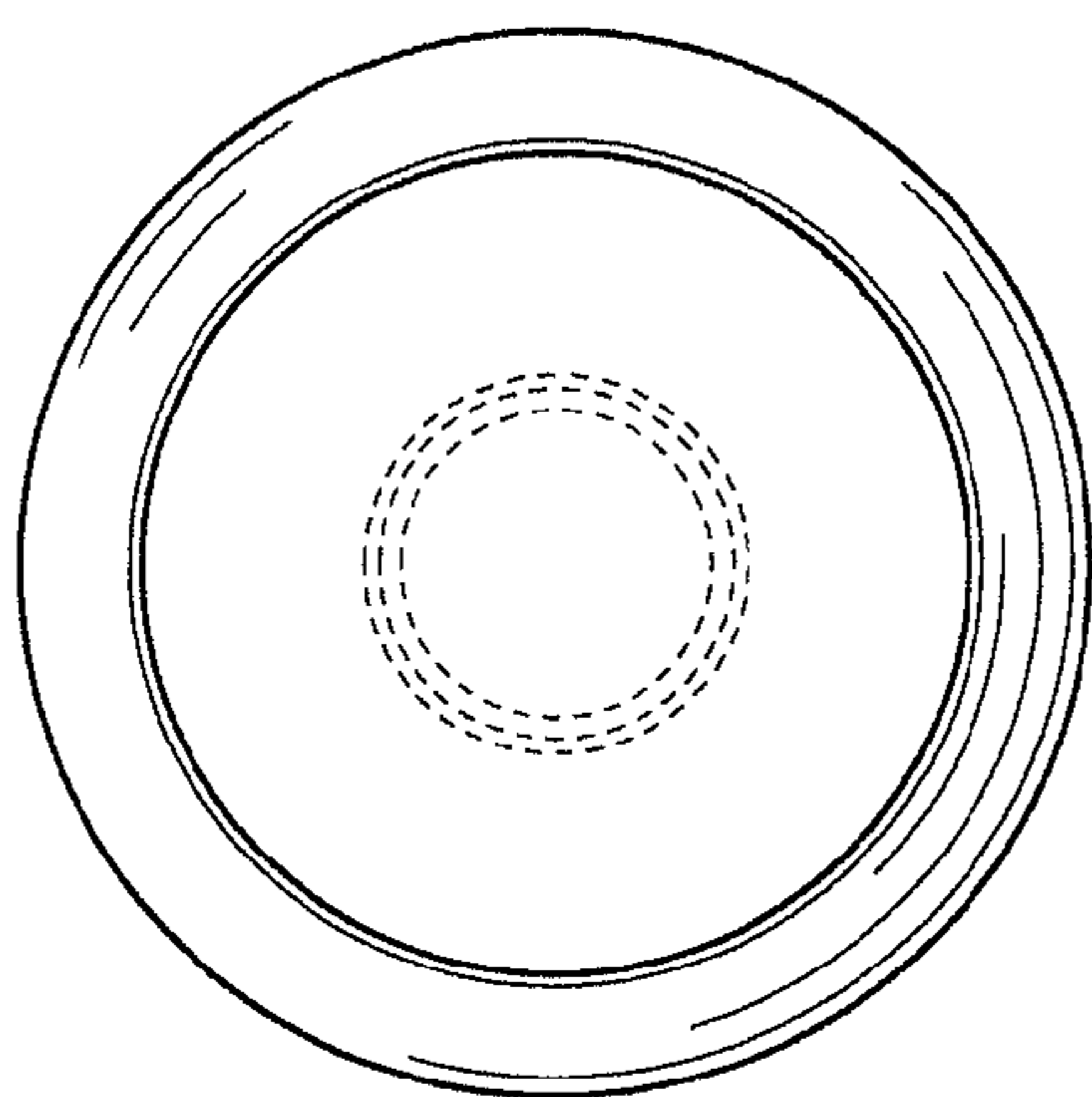


FIG. 14

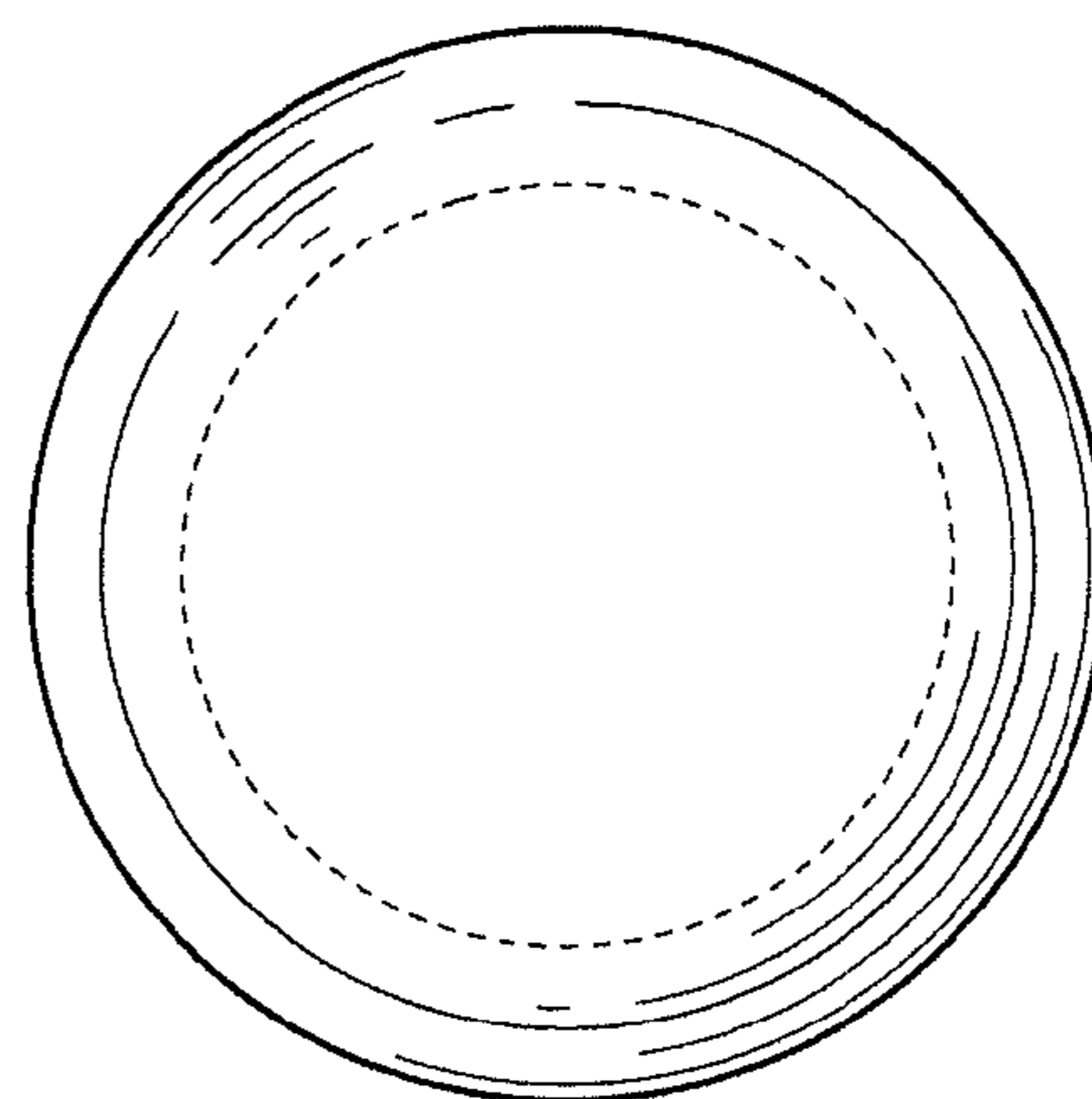


FIG. 15

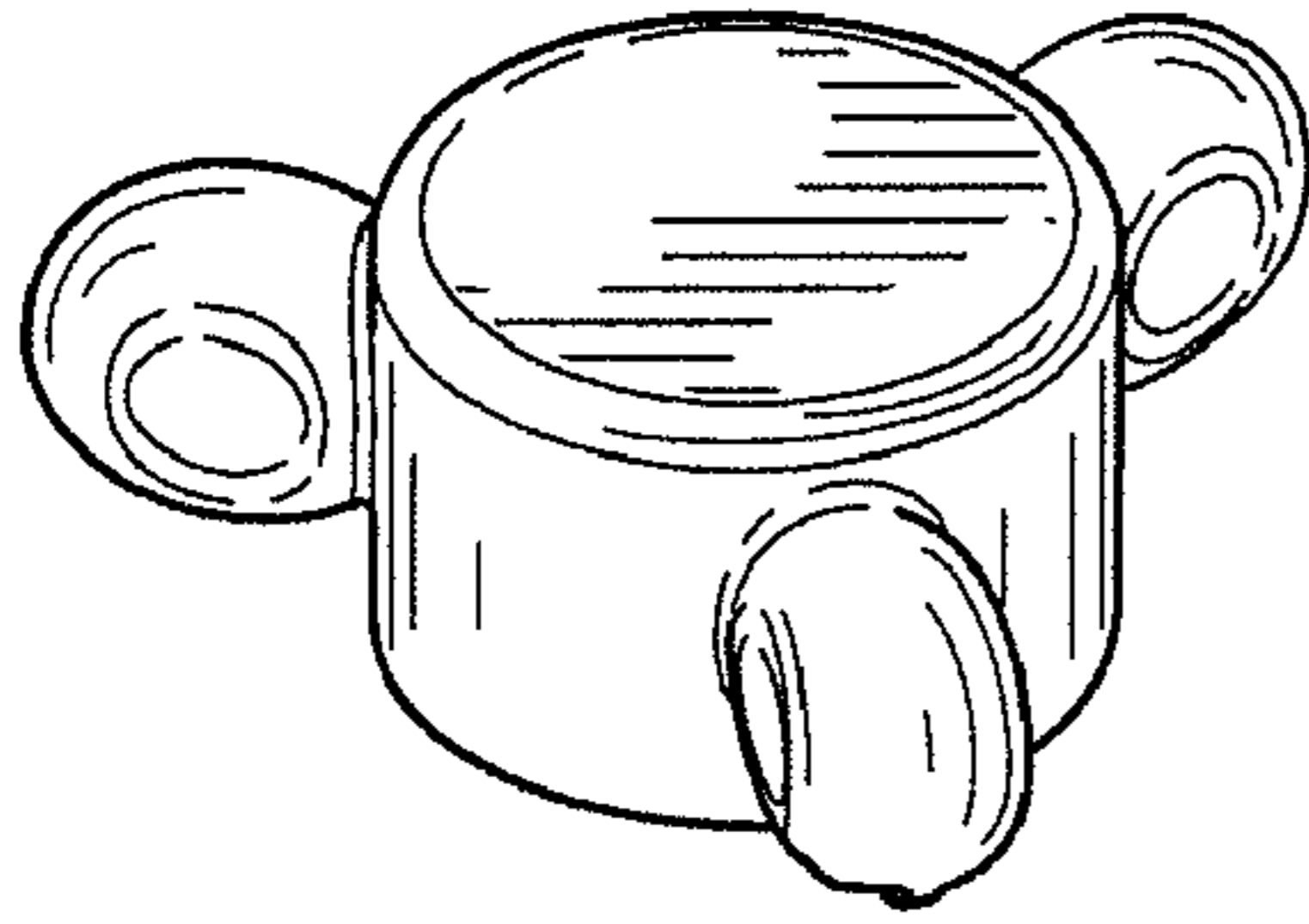


FIG. 16

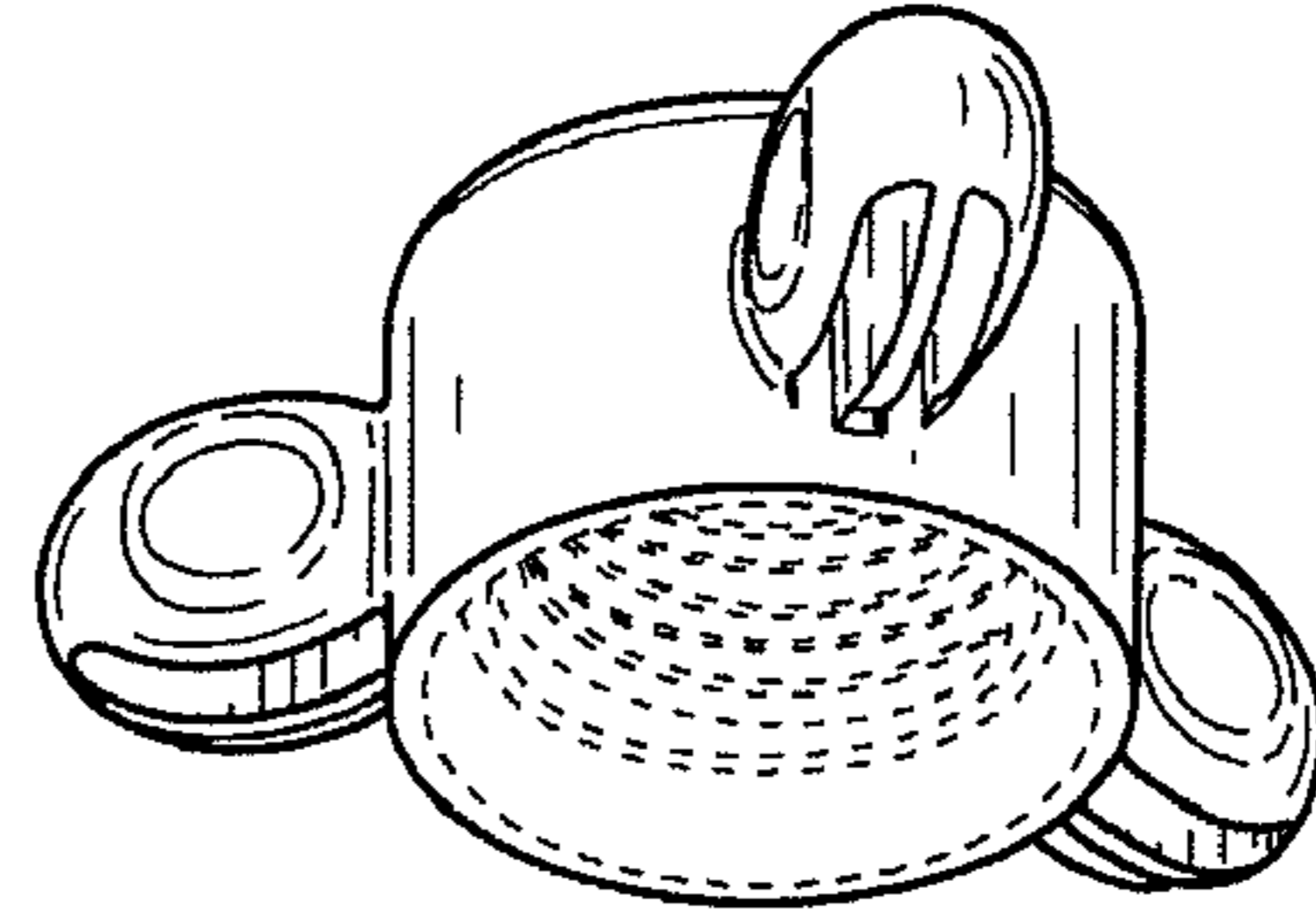


FIG. 17

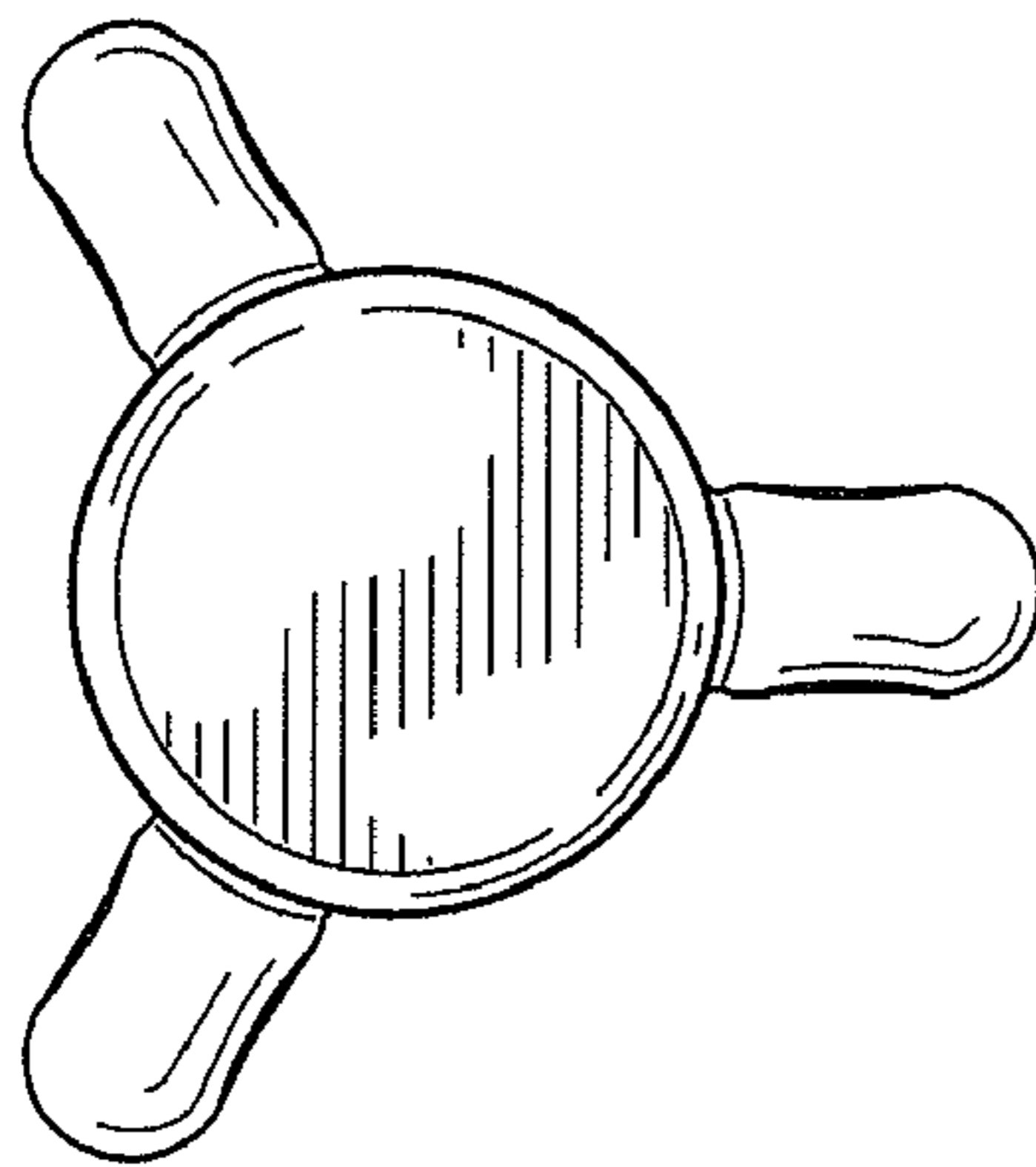


FIG. 18

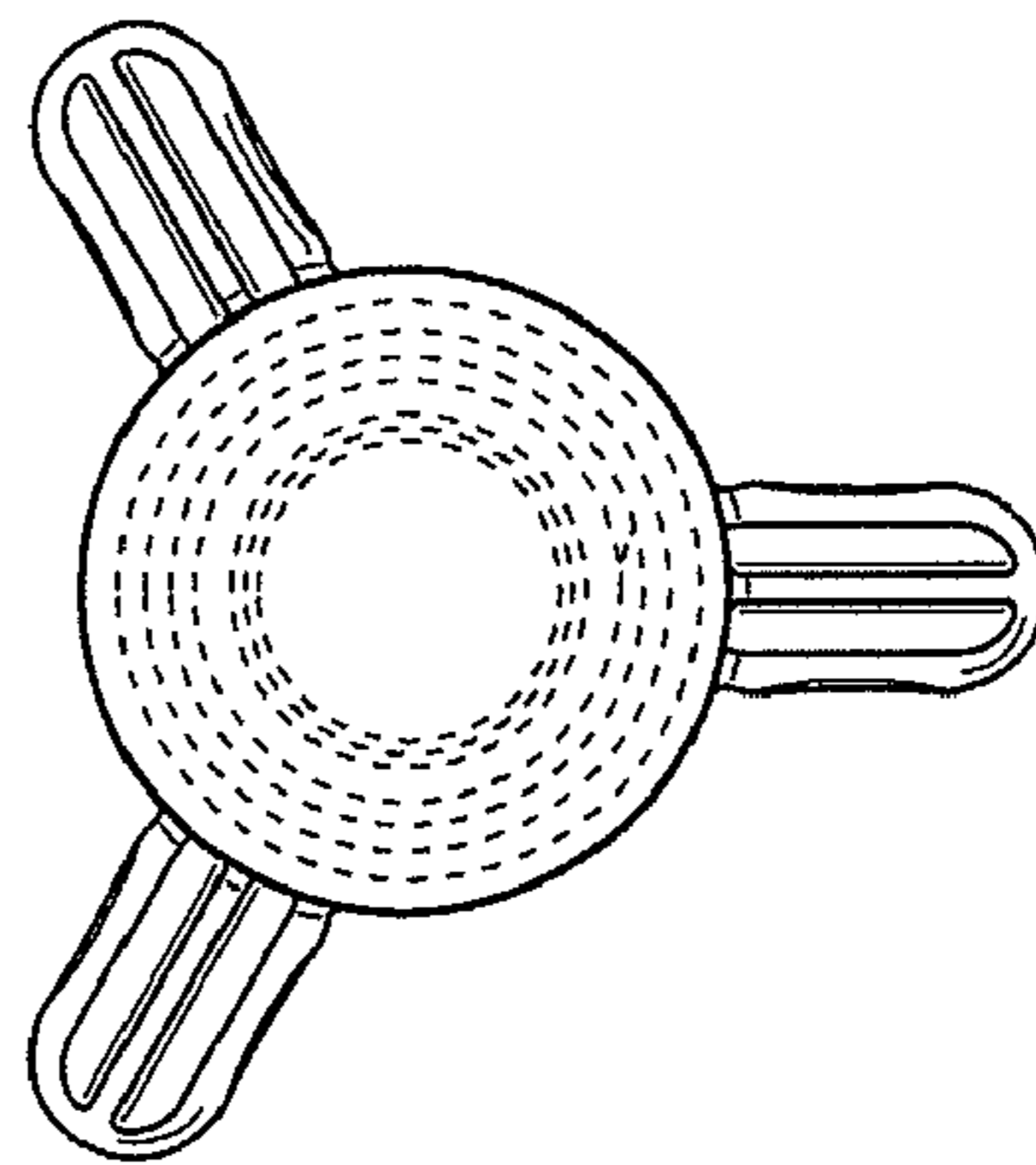


FIG. 19

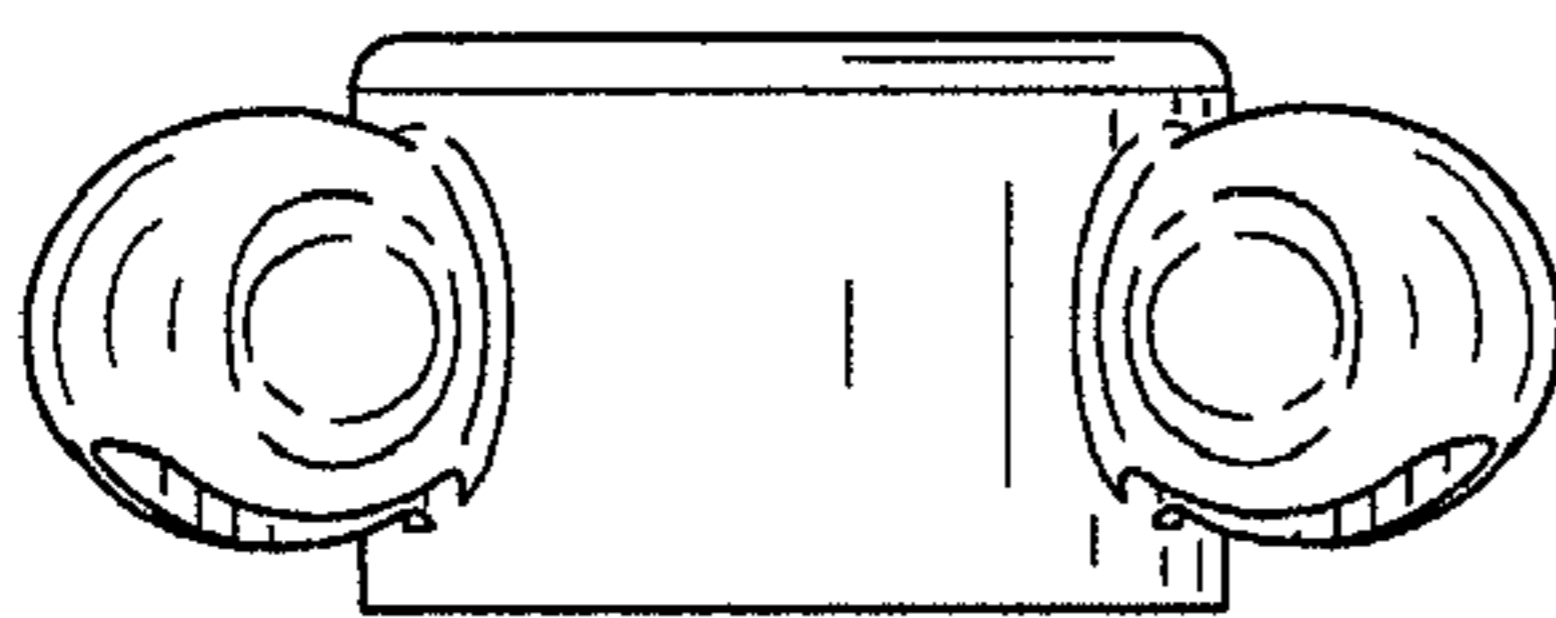


FIG. 20

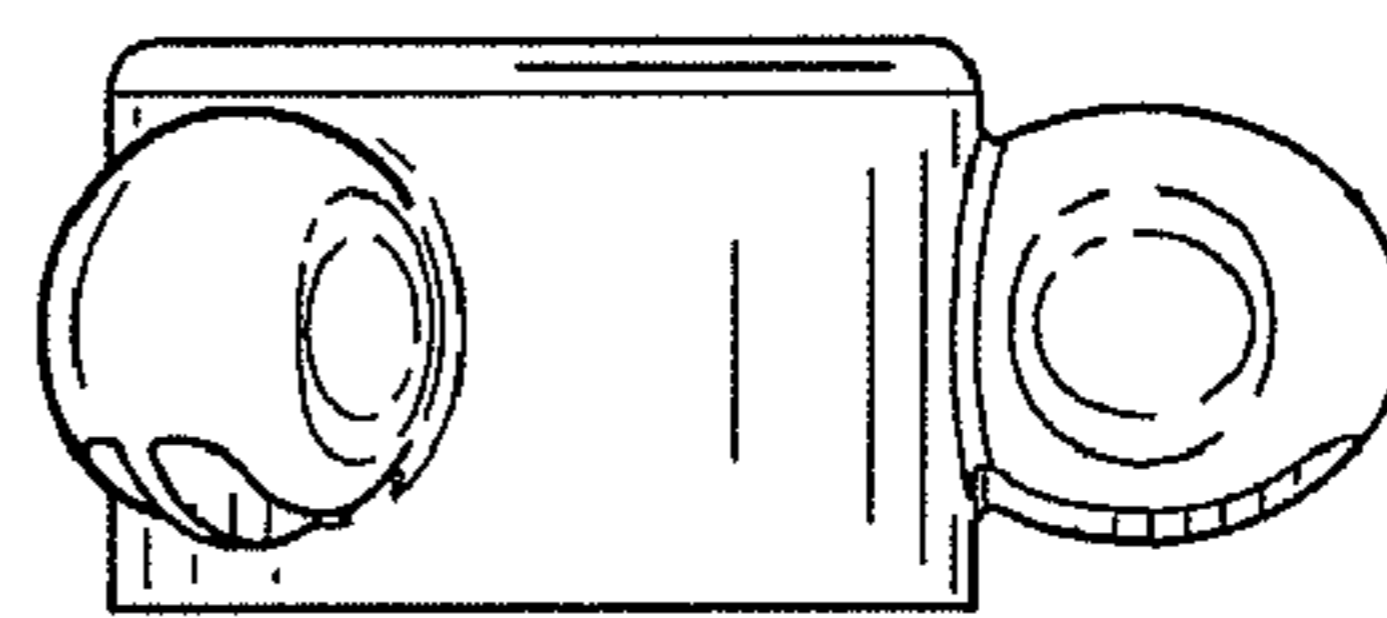


FIG. 21