



US00D616747S

(12) **United States Design Patent**
Stull et al.

(10) **Patent No.:** **US D616,747 S**
(45) **Date of Patent:** **** Jun. 1, 2010**

(54) **LIGHTWEIGHT CLOSURE CAP**

(75) Inventors: **Jason W. Stull**, Morristown, NJ (US);
Robert T. Auer, East Stroudsburg, PA (US)

(73) Assignee: **Stull Technologies, Inc.**, Somerset, NJ (US)

(**) Term: **14 Years**

(21) Appl. No.: **29/350,943**

(22) Filed: **Nov. 25, 2009**

(51) **LOC (9) Cl.** **09-07**

(52) **U.S. Cl.** **D9/452**

(58) **Field of Classification Search** D9/708,
D9/709, 705, 629, 454, 453, 452, 451, 447,
D9/445, 443, 439, 438, 435; D7/571, 567,
D7/354; D24/224, 197; 222/566, 525; 220/288;
215/329, 328, 256, 252, 238, 222; 116/308
See application file for complete search history.

(56) **References Cited**

U.S. PATENT DOCUMENTS

D298,608 S *	11/1988	Dewing	D9/452
D311,868 S *	11/1990	Armstrong	D9/453
D327,849 S *	7/1992	Armstrong	D9/453
5,197,616 A	3/1993	Buono		
D356,871 S *	3/1995	Dunn	D24/197
D372,867 S *	8/1996	Lambelet, Jr.	D9/456
5,579,934 A	12/1996	Buono		
D442,089 S *	5/2001	Sadeghi et al.	D9/452
D443,513 S *	6/2001	Goettner	D9/452
D445,679 S	7/2001	Malmborg		
D464,434 S *	10/2002	Morano	D24/197

D480,644 S	10/2003	Druitt		
6,789,497 B1 *	9/2004	Aiken	116/308
D510,523 S	10/2005	Pitman et al.		
D544,348 S	6/2007	Szczesniak		
D561,587 S	2/2008	Lin		
D563,560 S *	3/2008	Copeland	D24/224
D574,239 S	8/2008	Lin		
D578,889 S	10/2008	Sadiq		
D592,954 S *	5/2009	Capretta et al.	D9/453

* cited by examiner

Primary Examiner—Susan Bennett Hattan

(74) *Attorney, Agent, or Firm*—Drinker Biddle & Reath, LLP

(57) **CLAIM**

The ornamental design for a lightweight closure cap, as shown and described.

DESCRIPTION

FIG. 1 is a top isometric view of a lightweight closure cap according to our new design.

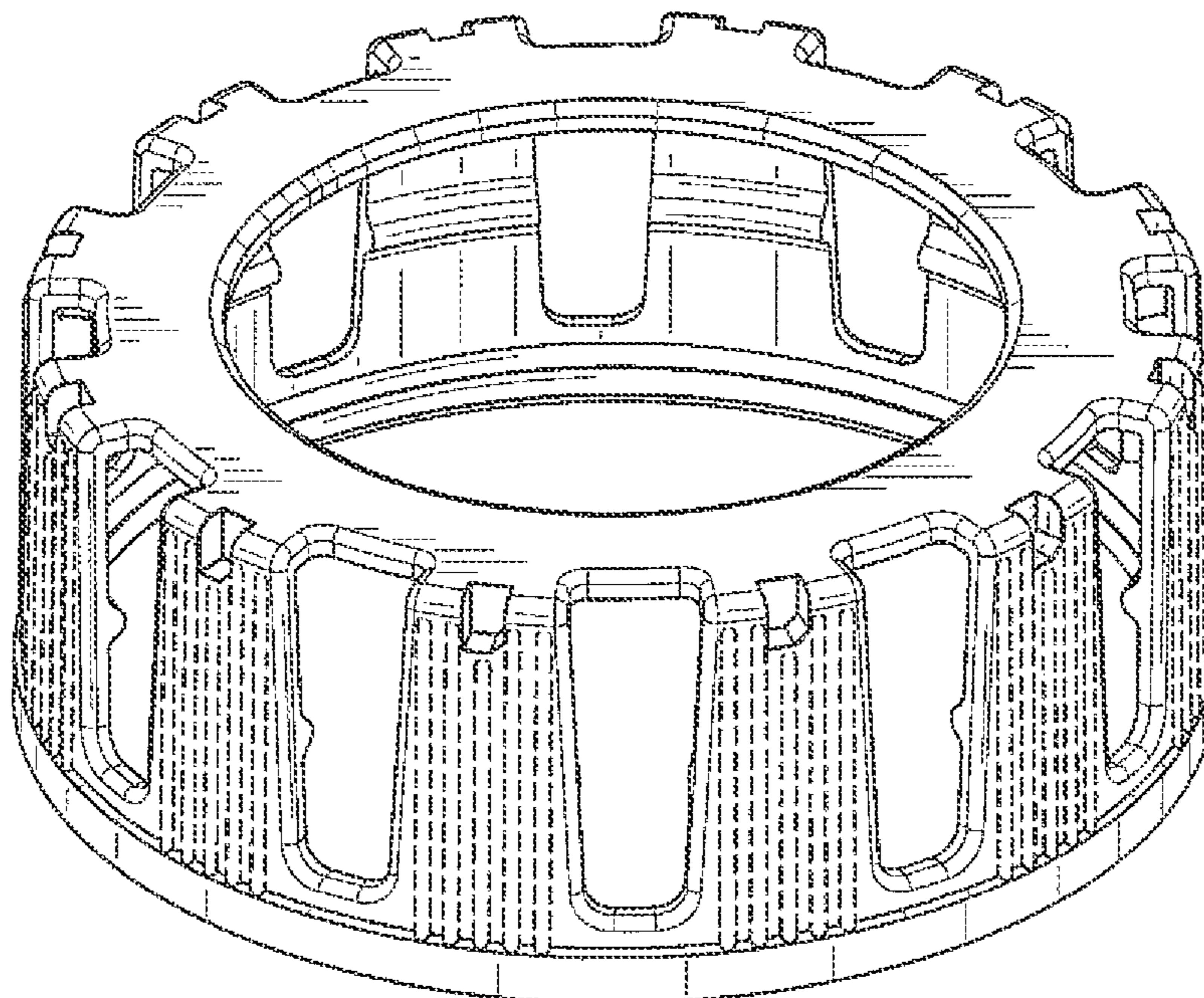
FIG. 2 is a bottom isometric view of the lightweight closure cap of FIG. 1.

FIG. 3 is a top view of the lightweight closure cap of FIG. 1. FIG. 4 is a bottom view of the lightweight closure cap of FIG. 1; and,

FIG. 5 is a front view of the lightweight closure cap of FIG. 1. The left, right, and rear views are mirror images of the front view.

The portions of the drawings appearing in broken lines are for environment only and do not form a part of the claimed design.

1 Claim, 3 Drawing Sheets



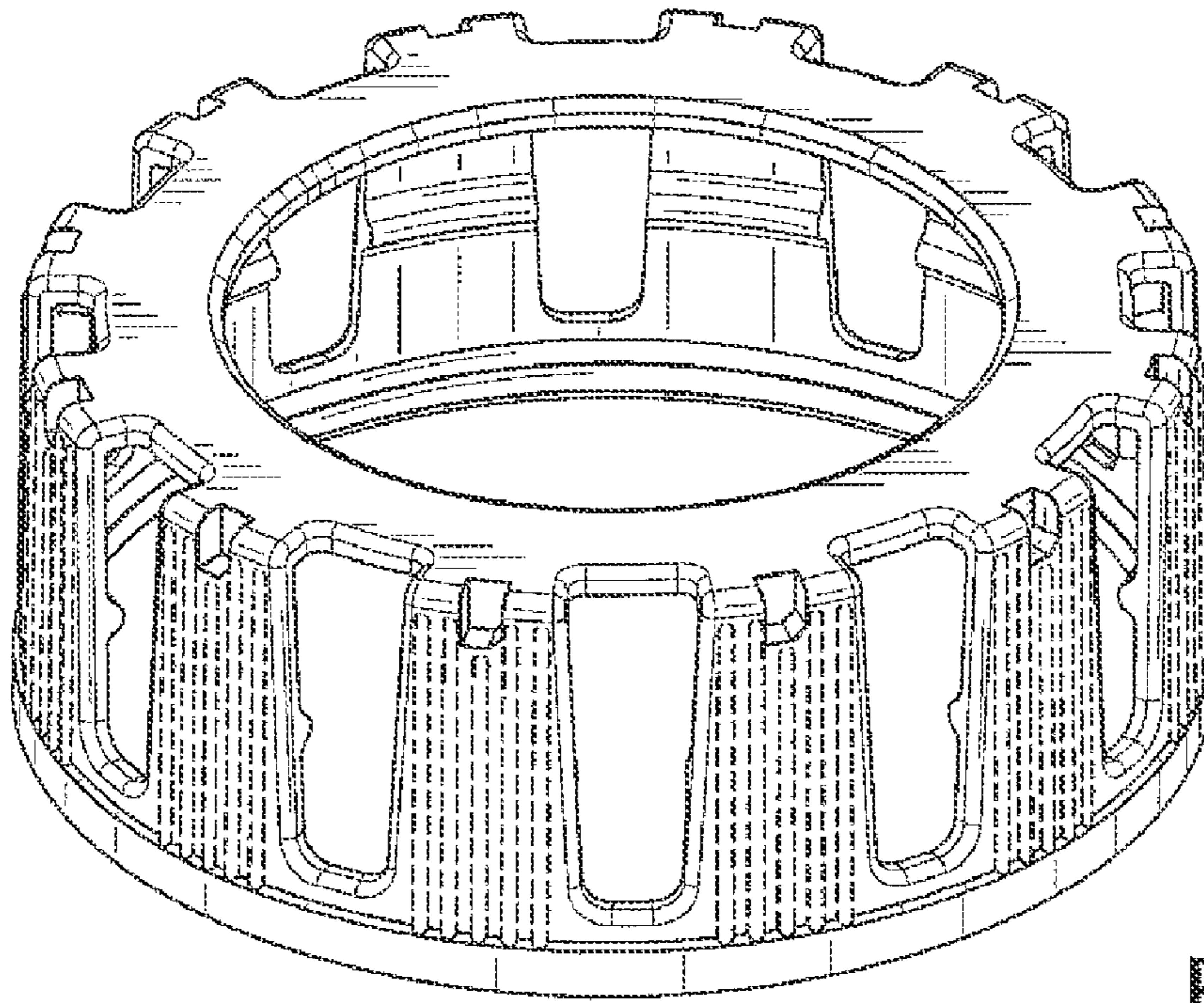


FIG. 1

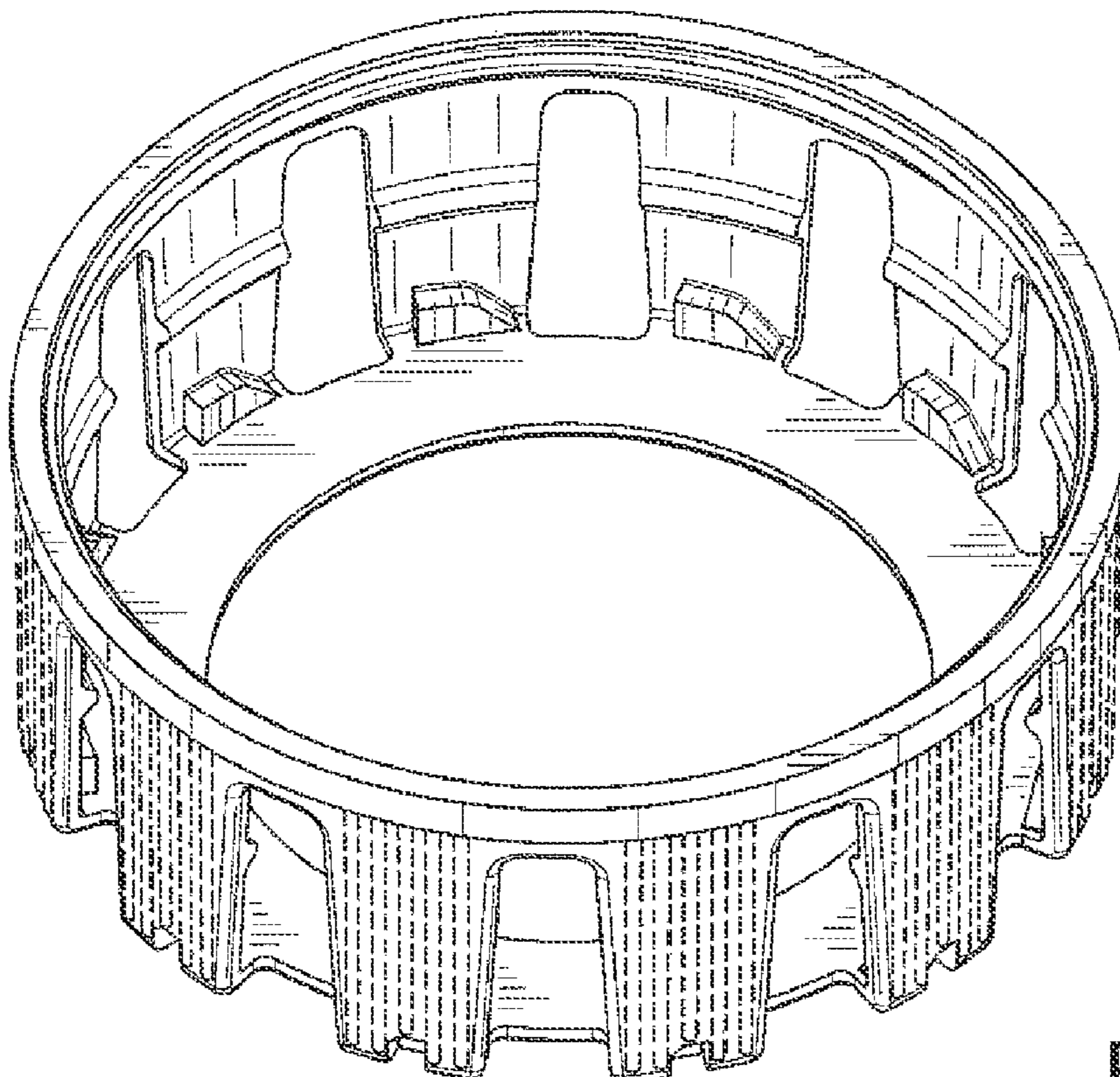


FIG. 2

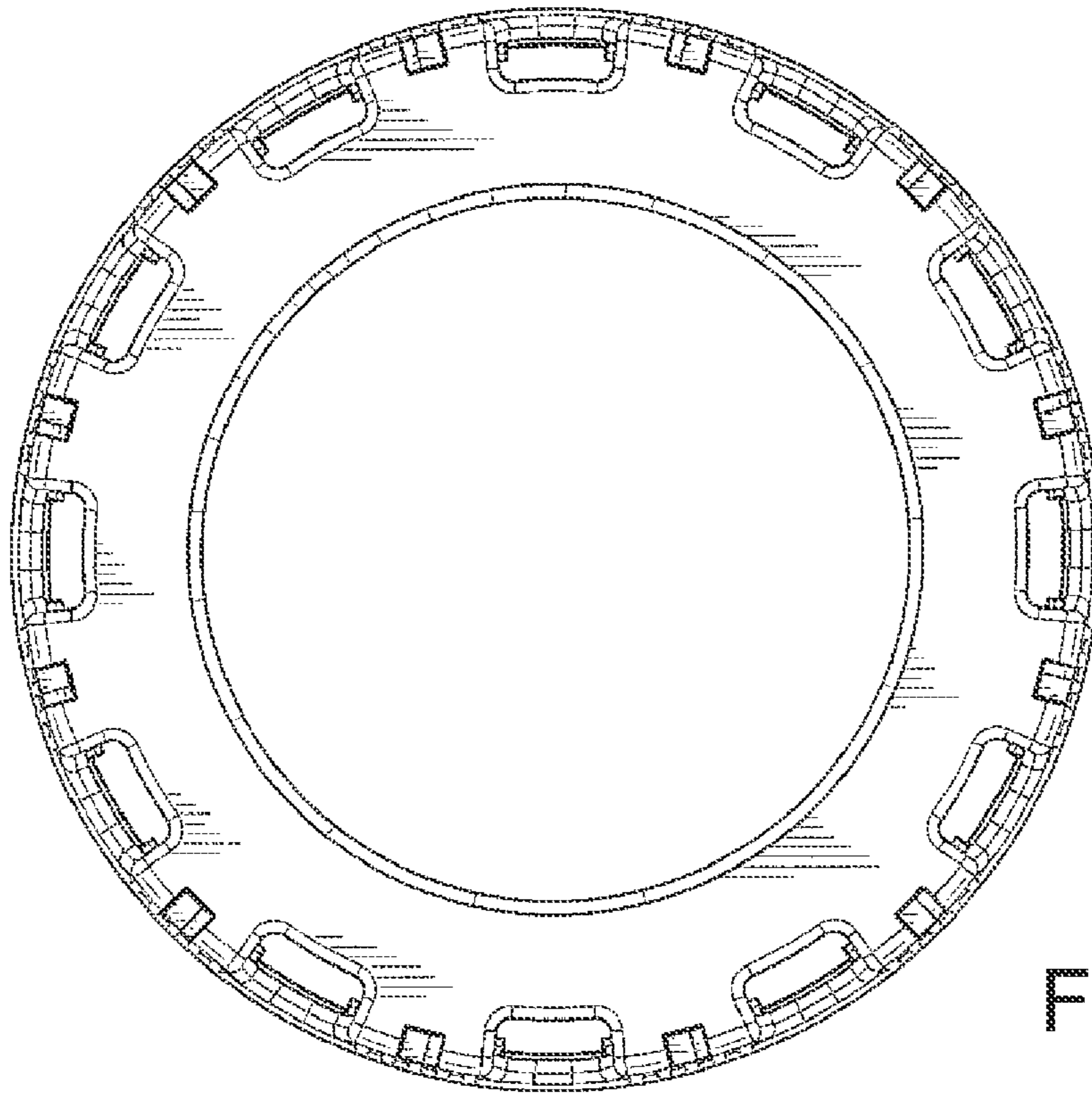


FIG. 3

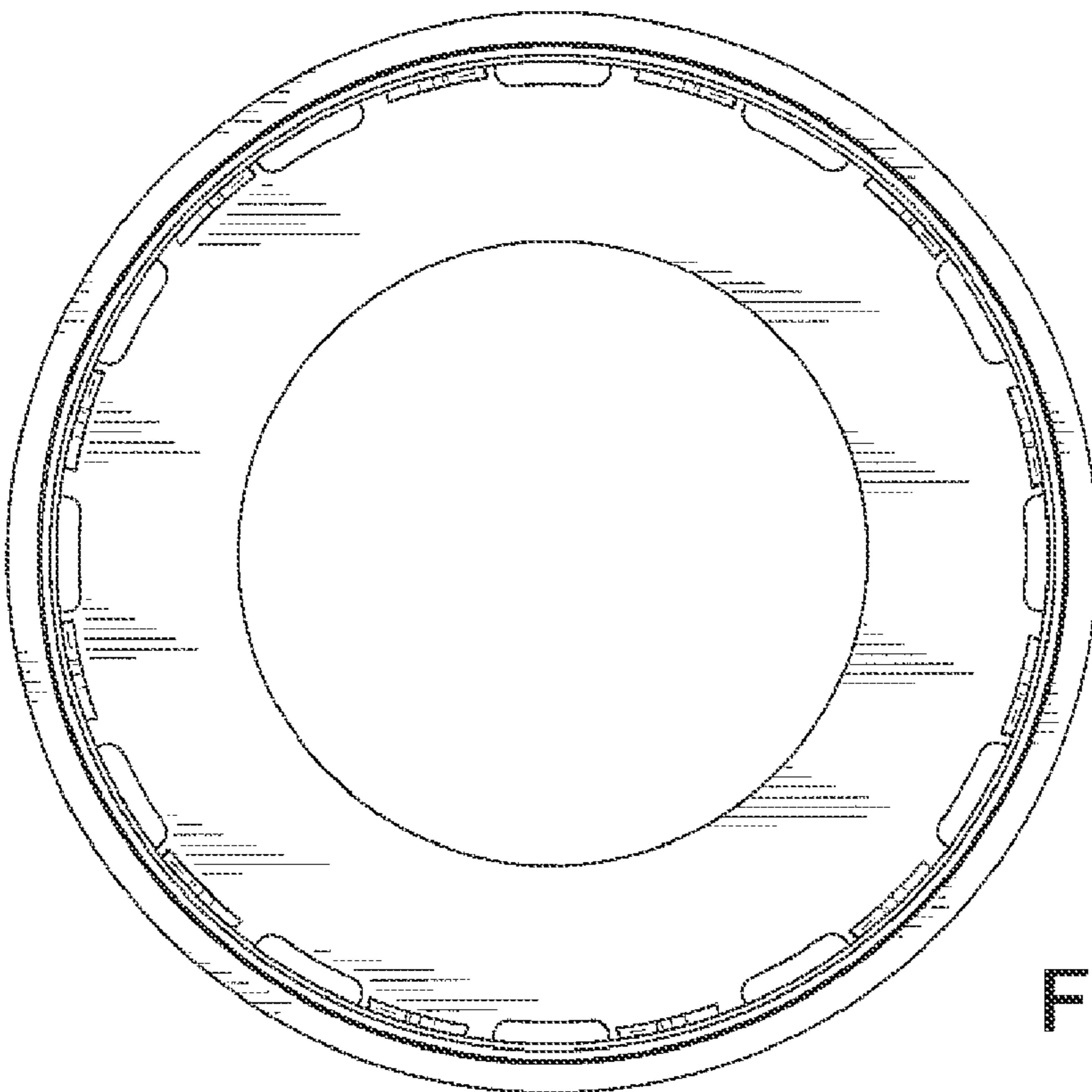


FIG. 4

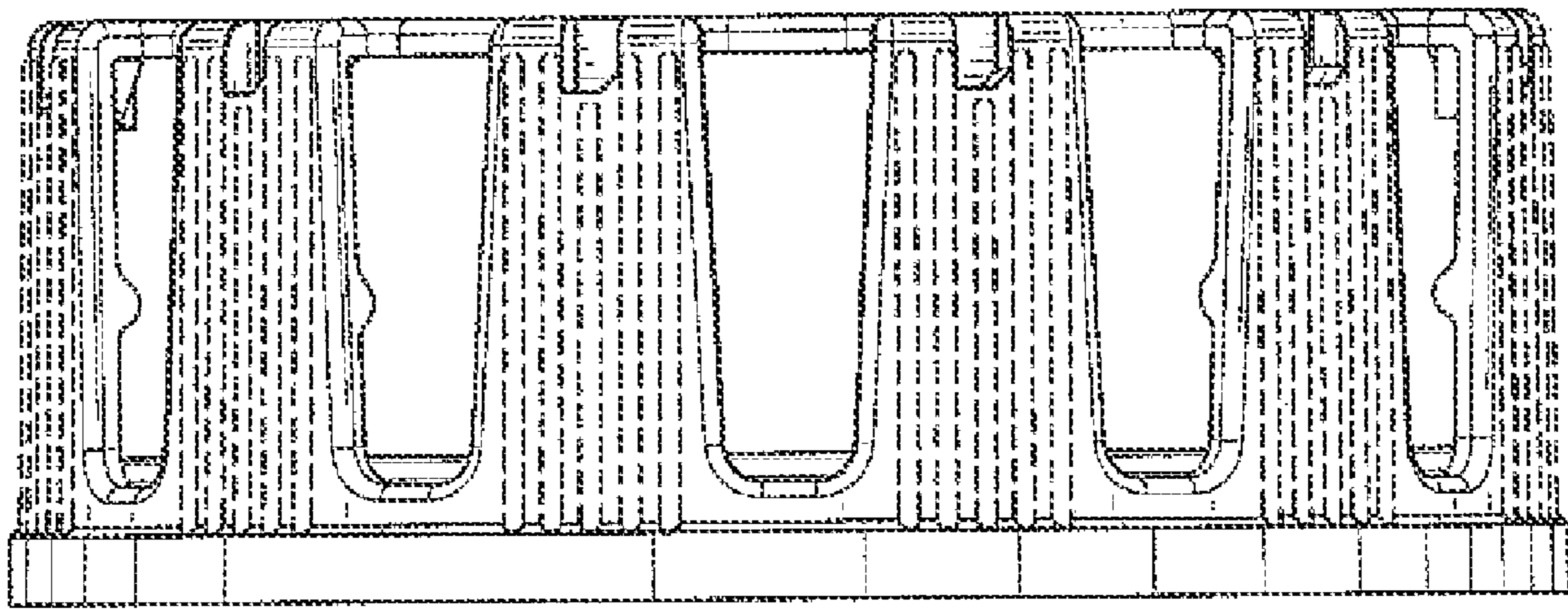


FIG. 5