



US00D616744S

(12) **United States Design Patent**
Cresswell et al.

(10) **Patent No.:** **US D616,744 S**
(45) **Date of Patent:** **** Jun. 1, 2010**

(54) **CAP FOR REUSABLE BOTTLE**
(76) Inventors: **Jeff Cresswell**, 8 Jerome Pl., Chico, CA
(US) 95926; **Donald G. Carlson**, 391
Highlands Dr., Eastsound, WA (US)
98245

D539,607 S * 4/2007 Lapsker D7/510
D542,598 S * 5/2007 Karp D7/510
D543,776 S * 6/2007 Yelland D7/392.1
D547,607 S * 7/2007 Forsman D7/396.2
D599,664 S * 9/2009 Fujinami et al. D9/443
D608,195 S * 1/2010 Germann D9/443
2004/0217139 A1 * 11/2004 Roth et al. 224/148.7

(**) **Term:** **14 Years**
(21) **Appl. No.:** **29/344,588**
(22) **Filed:** **Sep. 30, 2009**

OTHER PUBLICATIONS

<http://mysigg.com/index.asp?PageAction=VIEWCATS&Category=64>, Downloaded From Internet Mar. 26, 2010.*

* cited by examiner

(51) **LOC (9) Cl.** **09-07**
(52) **U.S. Cl.** **D9/443**
(58) **Field of Classification Search** D9/631,
D9/456, 453, 451, 450, 449, 448, 447, 443,
D9/436, 435; D7/511, 396.2, 394, 393, 392.1,
D7/314, 305; 222/83, 81, 556, 533, 530,
222/519, 205, 192, 158, 153.07; 220/212.5,
220/200; 215/306, 305, 228, 200; 206/541,
206/222, 221, 220, 219, 216

Primary Examiner—Susan Bennett Hattan
(74) *Attorney, Agent, or Firm*—Alleman Hall McCoy Russell
& Tuttle LLP

See application file for complete search history.

(57) **CLAIM**

The ornamental design for a cap for reusable bottle, as shown and described.

(56) **References Cited**

DESCRIPTION

FIG. 1 is a perspective view illustrating a design for a cap for a reusable bottle.

U.S. PATENT DOCUMENTS

D235,303 S * 6/1975 Boucher D7/672
D332,379 S * 1/1993 Murphy D7/391
D422,503 S * 4/2000 Lehn D9/503
D422,916 S * 4/2000 Herrmann D9/501
D458,133 S * 6/2002 Berish et al. D9/443
D458,134 S * 6/2002 Berish et al. D9/443
D479,800 S * 9/2003 McRae D9/443
D482,607 S * 11/2003 McRae D9/614
D485,757 S * 1/2004 Roth et al. D9/443
D519,380 S * 4/2006 Leoncavallo et al. D9/530
D524,909 S * 7/2006 Bakke et al. D23/233

FIG. 2 is a top view of the cap of FIG. 1.

FIG. 3 is a left elevation view of the cap of FIG. 1.

FIG. 4 is a right elevation view of the cap of FIG. 1.

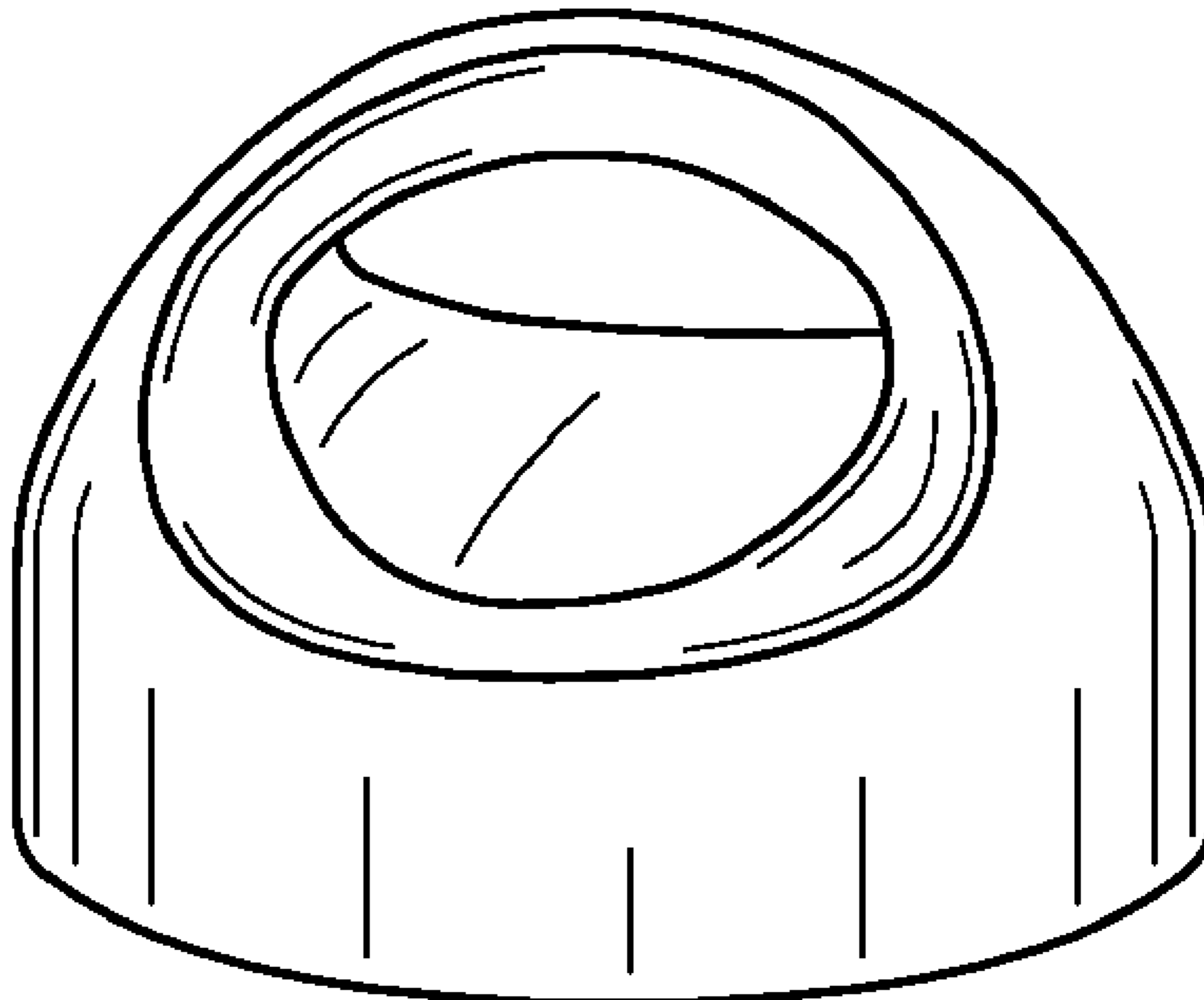
FIG. 5 is a front elevation view of the cap of FIG. 1.

FIG. 6 is a back elevation view of the cap of FIG. 1; and,

FIG. 7 is a bottom view of the cap of FIG. 1.

The dashed lines in the figures are for environmental purposes only and form no part of the claimed design.

1 Claim, 2 Drawing Sheets



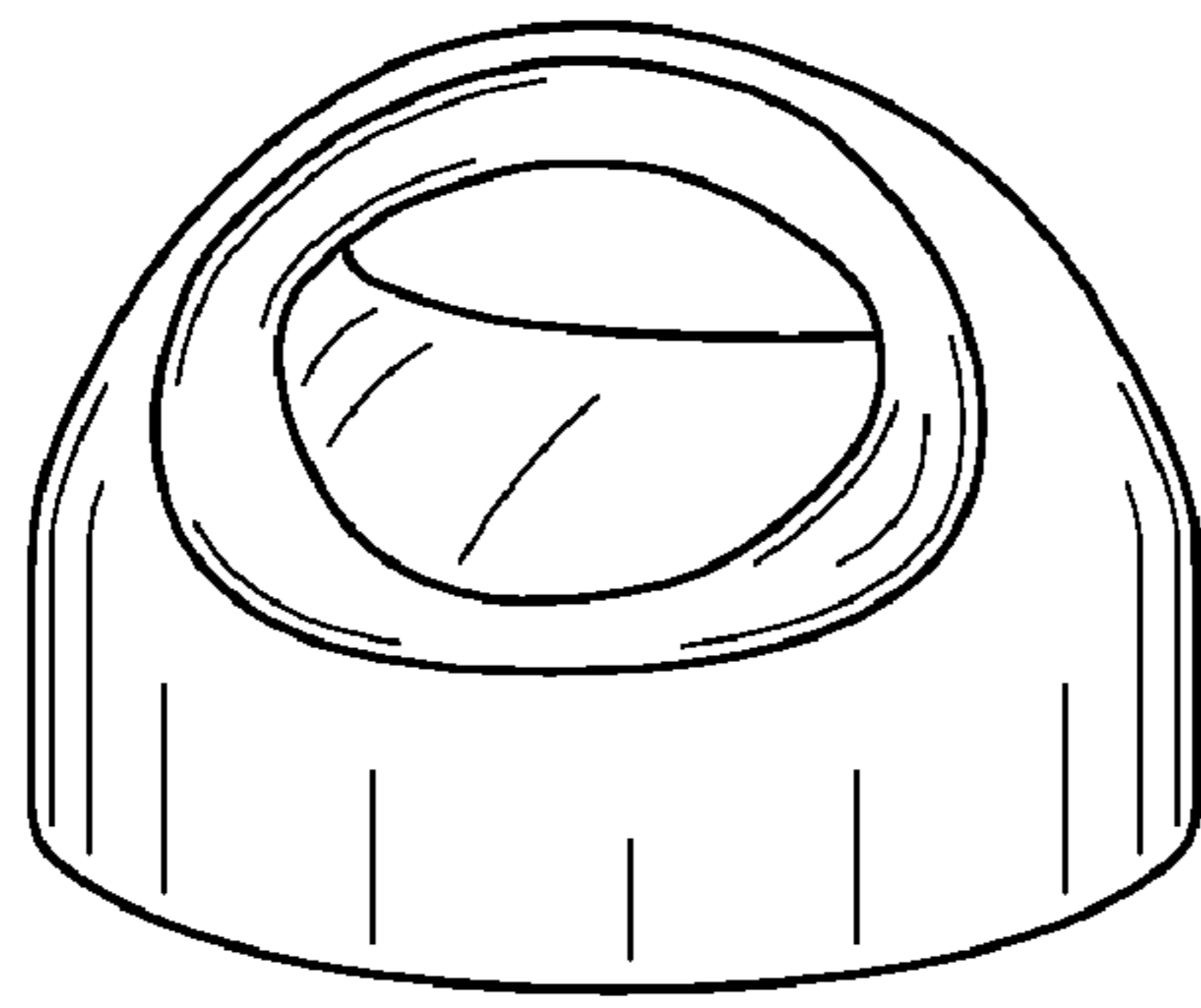


FIG. 1

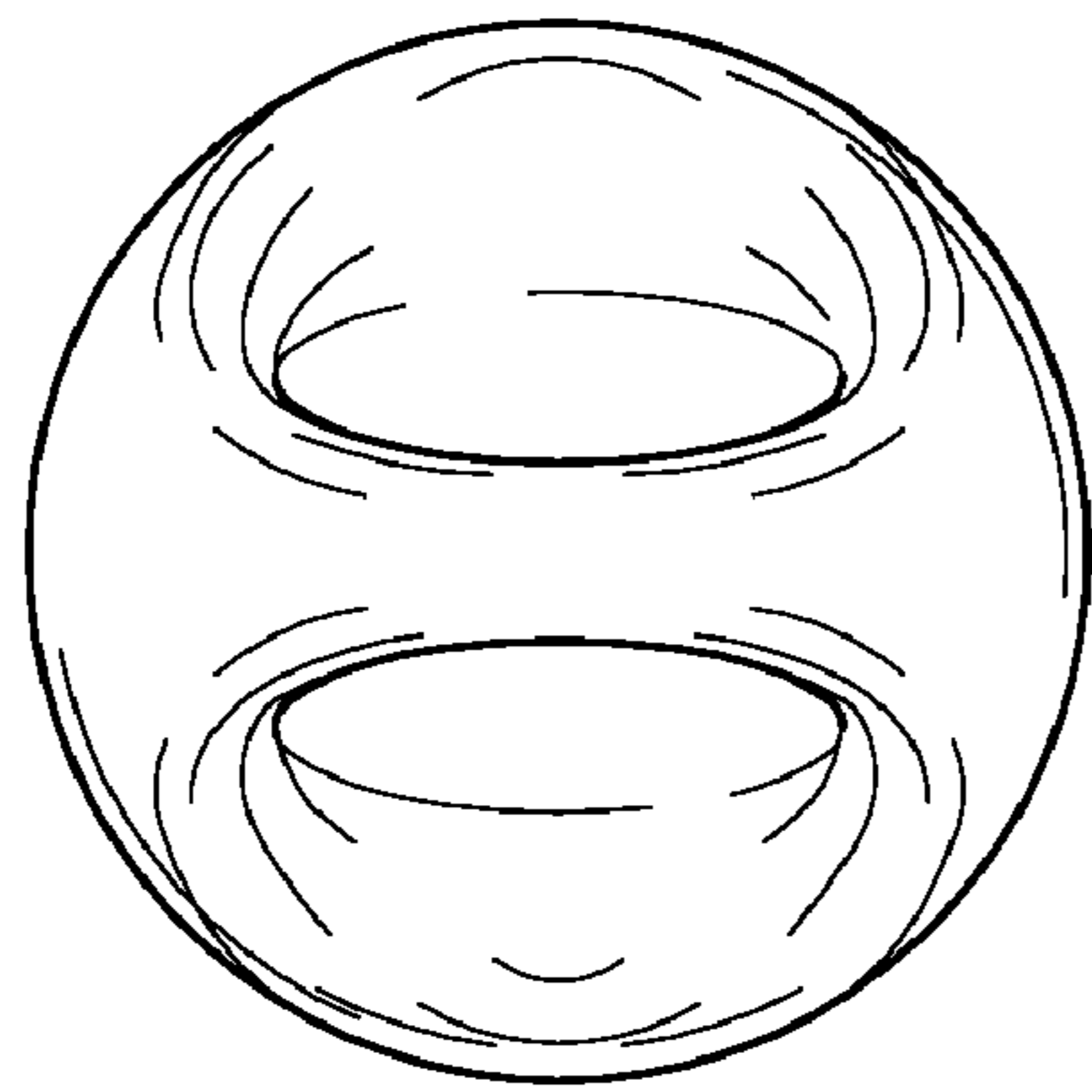


FIG. 2

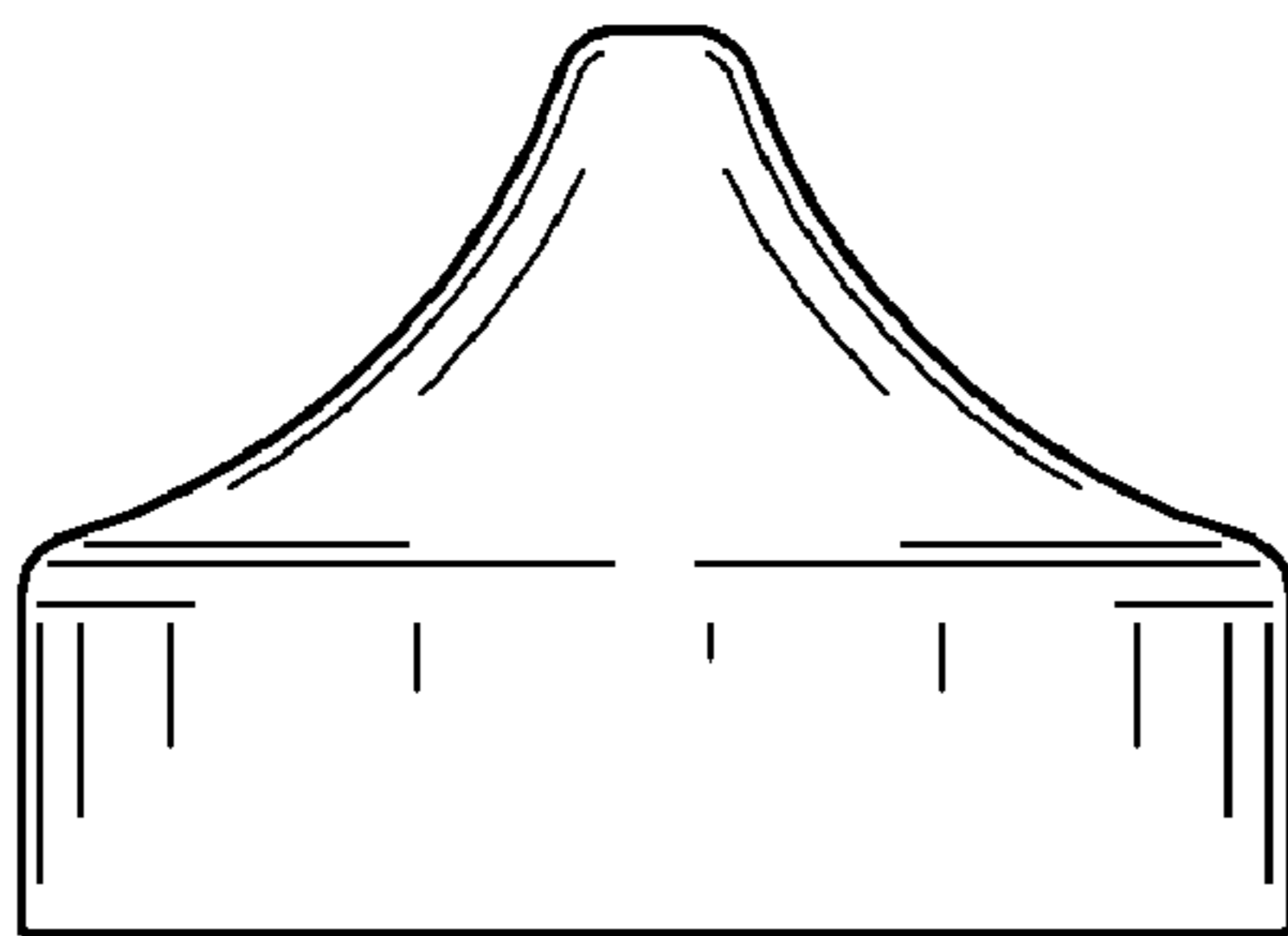


FIG. 3

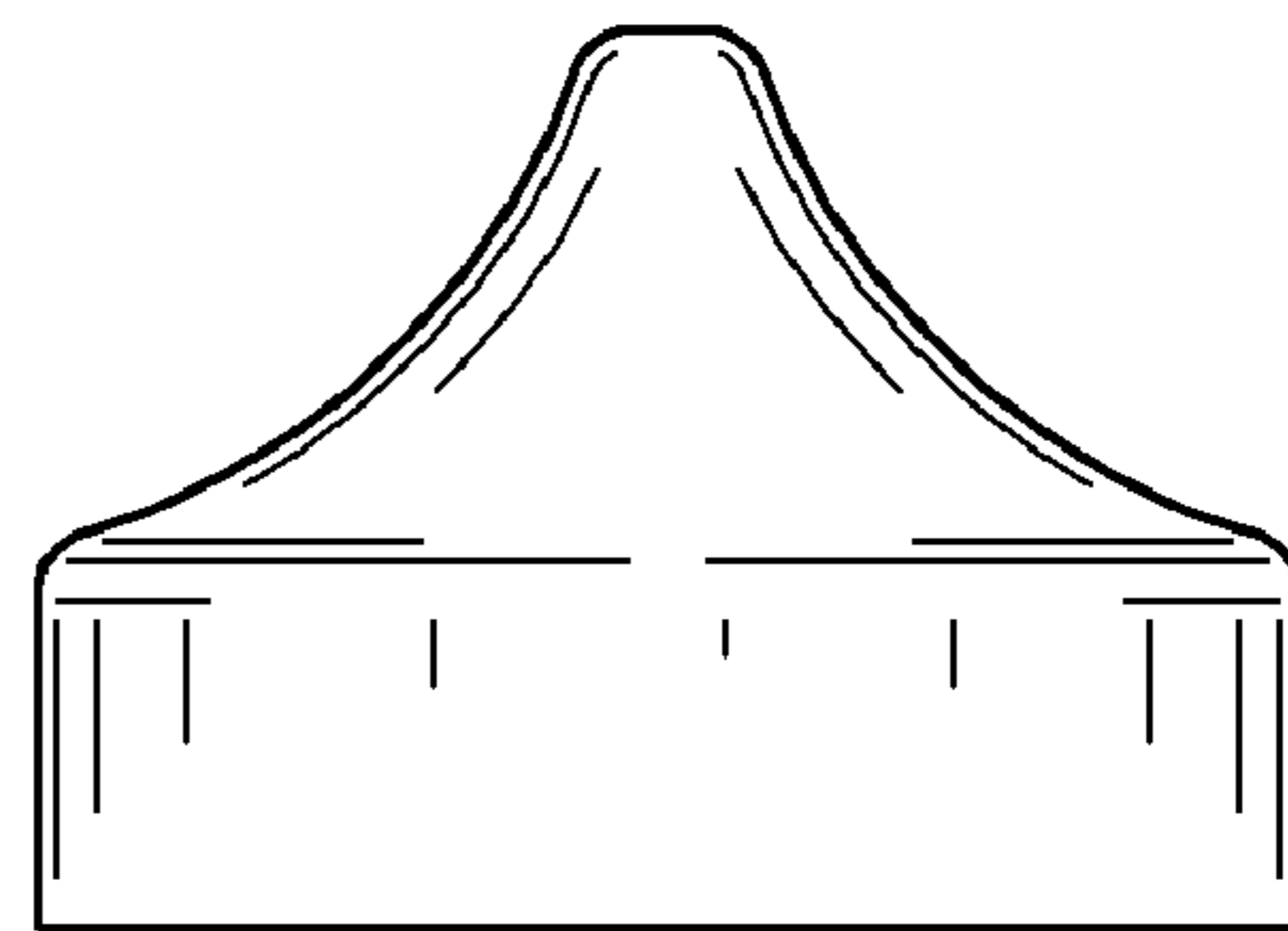


FIG. 4

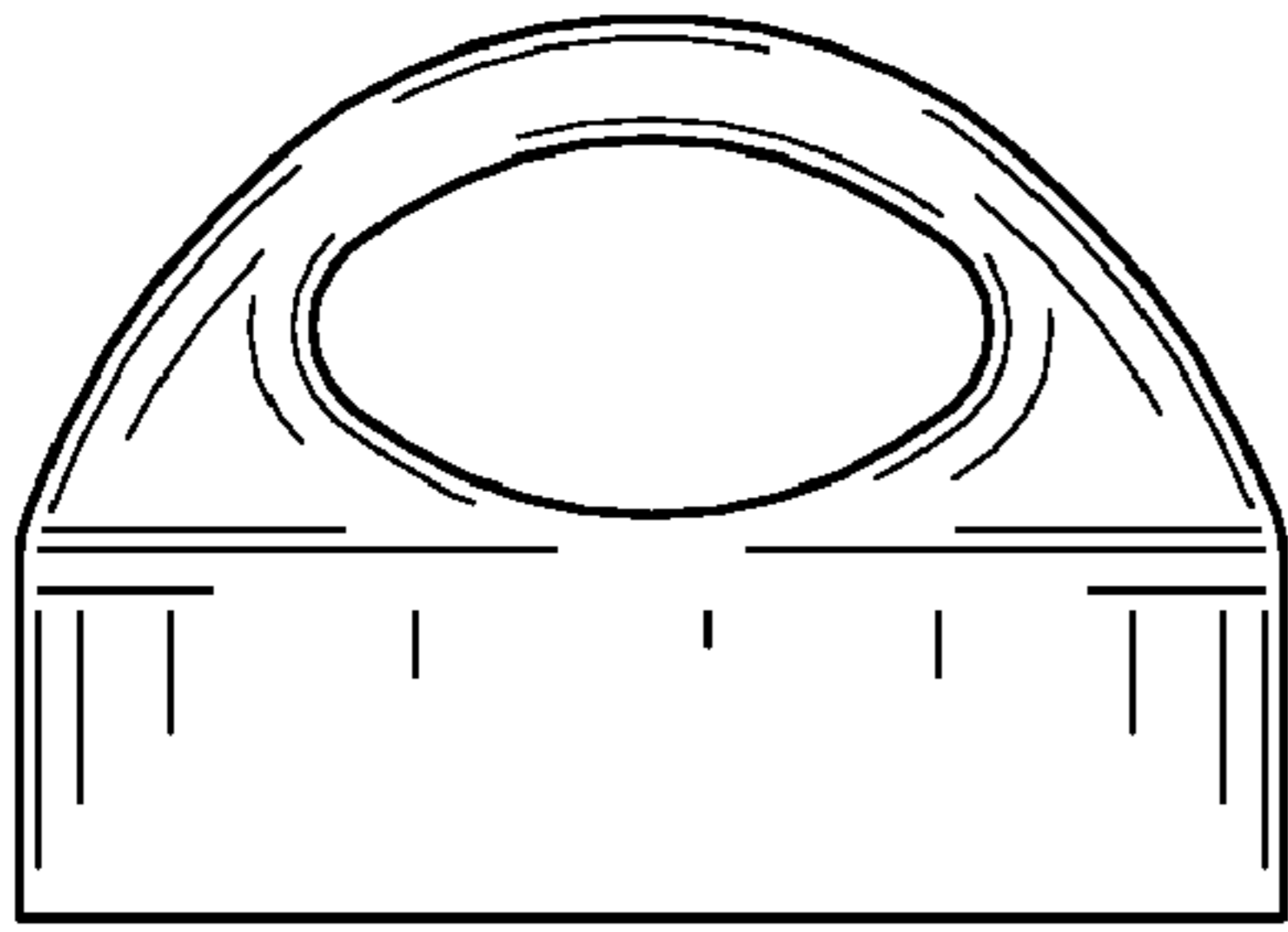


FIG. 5

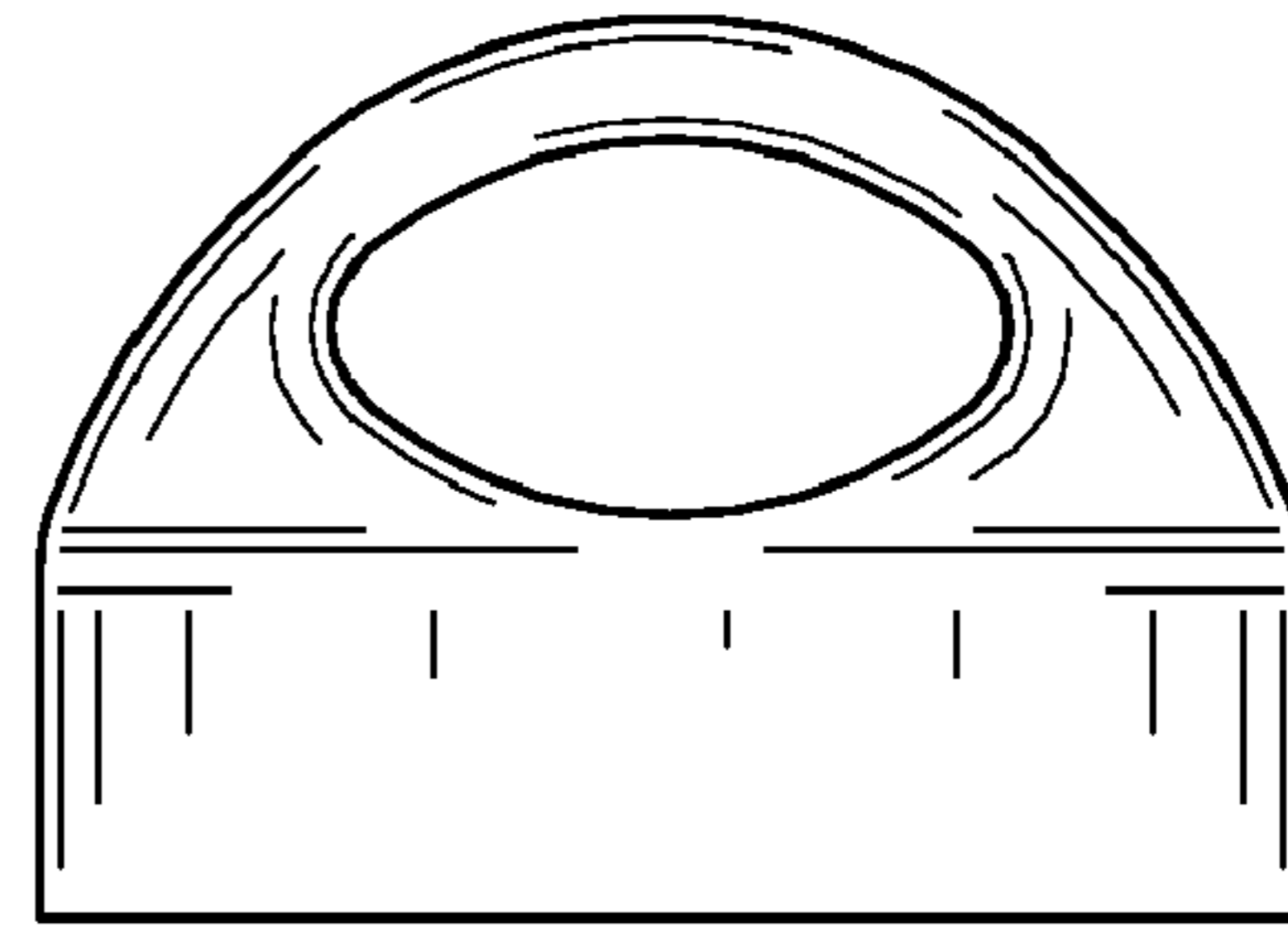


FIG. 6

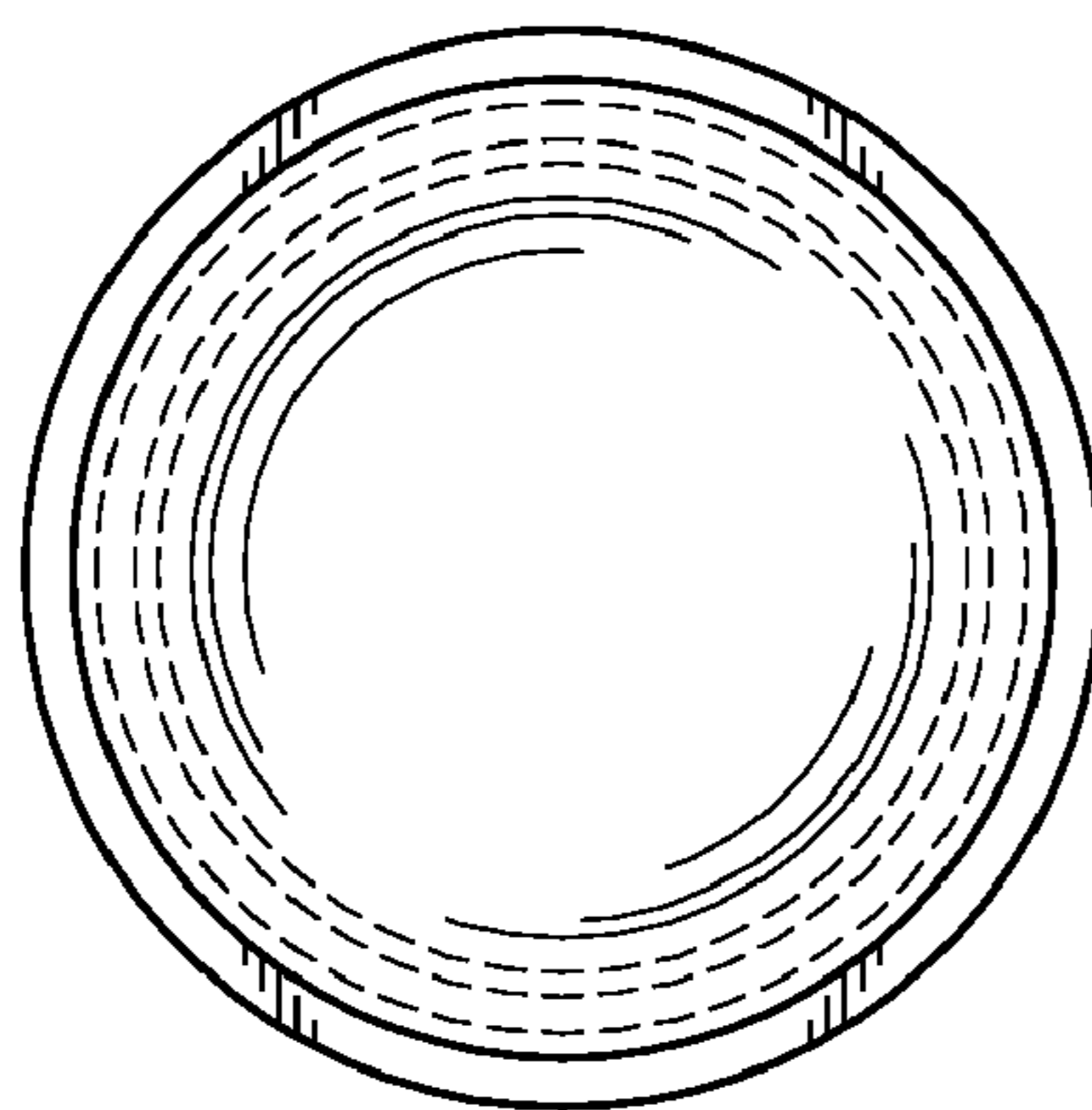


FIG. 7