



US00D616741S

(12) **United States Design Patent**
Andre et al.

(10) **Patent No.:** **US D616,741 S**
(45) **Date of Patent:** **** *Jun. 1, 2010**

(54) **PACKAGE**

(75) Inventors: **Bartley K. Andre**, Menlo Park, CA (US); **Daniel J. Coster**, San Francisco, CA (US); **Daniele De Iullis**, San Francisco, CA (US); **Richard P. Howarth**, San Francisco, CA (US); **Jonathan P. Ive**, San Francisco, CA (US); **Steve Jobs**, Palo Alto, CA (US); **Duncan Robert Kerr**, San Francisco, CA (US); **Shin Nishibori**, Portola Valley, CA (US); **Matthew Dean Rohrbach**, San Francisco, CA (US); **Douglas B. Satzger**, Menlo Park, CA (US); **Calvin Q. Seid**, Palo Alto, CA (US); **Christopher J. Stringer**, Woodside, CA (US); **Eugene Antony Whang**, San Francisco, CA (US); **Rico Zorkendorfer**, San Francisco, CA (US)

(73) Assignee: **Apple Inc.**, Cupertino, CA (US)

(*) Notice: This patent is subject to a terminal disclaimer.

(**) Term: **14 Years**

(21) Appl. No.: **29/296,502**

(22) Filed: **Oct. 22, 2007**

Related U.S. Application Data

(62) Division of application No. 29/265,952, filed on Sep. 11, 2006, now Pat. No. Des. 558,572.

(51) **LOC (9) Cl.** **09-03**

(52) **U.S. Cl.** **D9/432**

(58) **Field of Classification Search** D9/430-433, D9/414, 418, 420-423, 529, 560; 206/278, 206/297, 299, 433, 457, 770, 737, 769, 776, 206/777, 778; 229/100, 101, 103.3, 106, 229/107, 108, 108.1, 109, 110, 112, 116, 229/116.5, 117, 117.01, 117.05, 117.03-117.08, 229/121, 122, 122.24, 122.29, 125.015, 126, 229/152, 181.1, 185.1, 186, 201, 917, 922, 229/923, 930-933, 935, 937, 939, 942; 220/796

See application file for complete search history.

(56) **References Cited**

U.S. PATENT DOCUMENTS

1,315,593 A 9/1919 Binder

(Continued)

FOREIGN PATENT DOCUMENTS

EM 546403-0001 8/2006

(Continued)

OTHER PUBLICATIONS

Taiwan Search Report of Design Patent Application No. 096300280, dated Oct. 23, 2008, one page.

Trade Yellow Pages Consumer Goods, 1994, p. 257.

U.S. Appl. No. 29/284,343; "Packaging" Filing Date: Sep. 5, 2007.

Primary Examiner—Robert M Spear

Assistant Examiner—Karen Acker

(74) *Attorney, Agent, or Firm*—Sterne, Kessler, Goldstein & Fox PLLC

(57) **CLAIM**

We claim the ornamental design for a package, substantially as shown and described.

DESCRIPTION

FIG. 1 is a perspective view of a package in accordance with an alternate embodiment.

FIG. 2 is a front view for the package of FIG. 1.

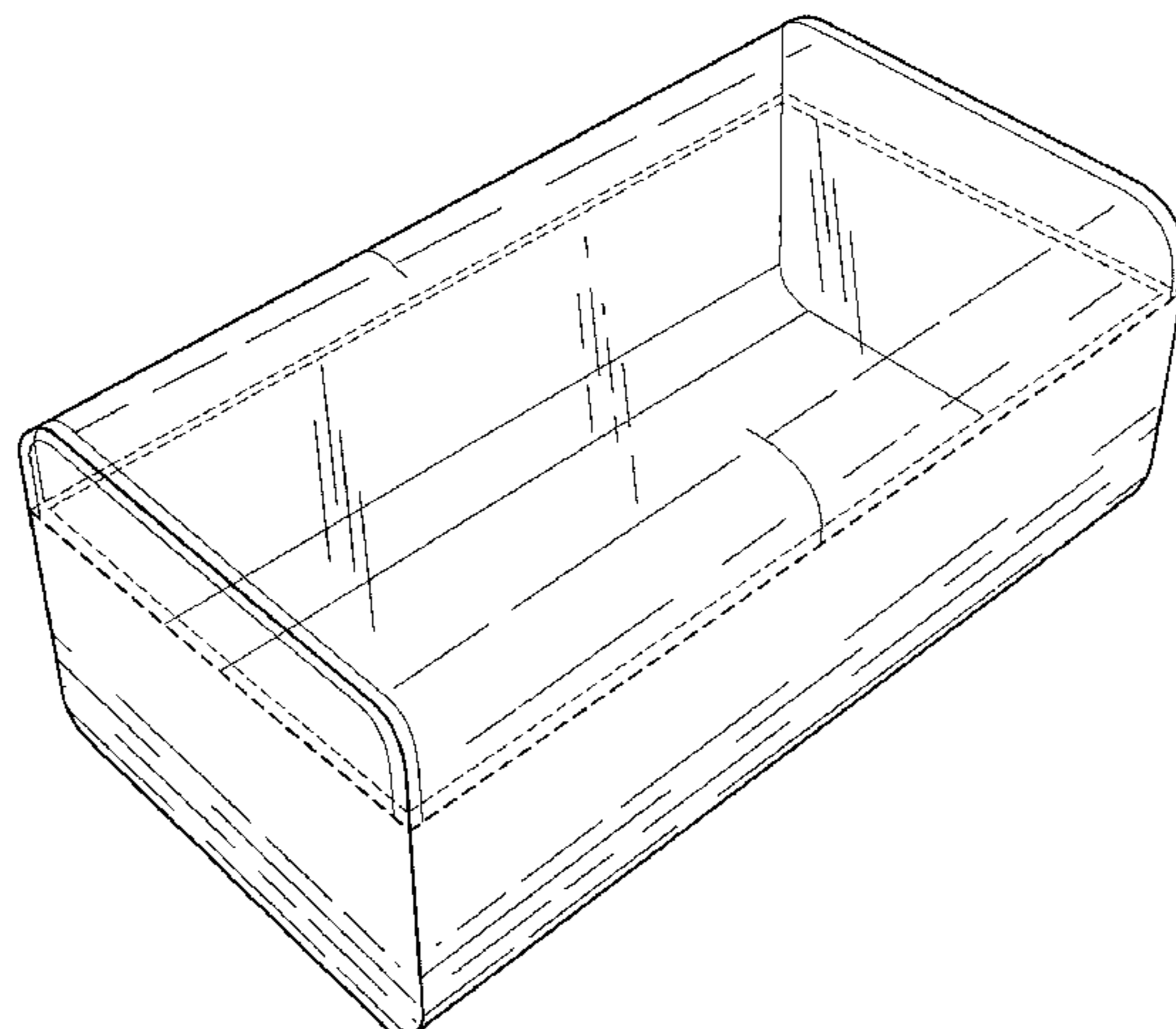
FIG. 3 is a back view for the package of FIG. 1.

FIG. 4 is a left or right side view for the package of FIG. 1; and,

FIG. 5 is a top or bottom view for the package of FIG. 1.

The broken lines in the drawings depict portions of the package that are not part of the claim.

1 Claim, 3 Drawing Sheets



US D616,741 S

Page 2

U.S. PATENT DOCUMENTS

D106,245 S 9/1937 Young
 D111,649 S 10/1938 Di Domenico
 D114,891 S 5/1939 Fogel
 2,316,384 A 4/1943 Abramson
 D159,157 S * 6/1950 Koester D9/757
 D162,551 S 3/1951 Levine
 2,565,939 A * 8/1951 Wriston 220/4.23
 2,606,708 A * 8/1952 Irvan 220/796
 D167,689 S * 9/1952 Hommer D9/415
 D191,070 S 8/1961 McCreery
 D246,439 S 11/1977 Lynn et al.
 D248,621 S 7/1978 Hay et al.
 D261,234 S 10/1981 Abraham
 D292,839 S 11/1987 Brogdon
 D309,431 S * 7/1990 Sheehan D9/424
 5,358,101 A * 10/1994 Lombardi 206/776
 D368,429 S 4/1996 Serio, Jr.
 D368,588 S * 4/1996 Goraleski et al. D6/300
 D369,295 S * 4/1996 Kobari et al. D9/423
 D389,639 S * 1/1998 Priebe D3/203.8
 D394,386 S 5/1998 Fischer
 D396,154 S 7/1998 Matthews
 D397,552 S 9/1998 Rutledge
 D406,463 S 3/1999 Rutledge
 D411,448 S 6/1999 Baker
 D417,391 S 12/1999 Szczepanski et al.
 D428,860 S 8/2000 Siperek
 6,234,308 B1 * 5/2001 Saffron et al. 206/316.2
 6,289,655 B1 9/2001 Ridgeway et al.
 6,400,247 B1 6/2002 King
 D473,054 S * 4/2003 Roehrig D3/295
 D490,977 S * 6/2004 Freeman D3/273

D496,585 S * 9/2004 McBride et al. D9/423
 6,796,423 B2 * 9/2004 Miller 206/204
 D503,042 S * 3/2005 Gutierrez et al. D3/302
 6,889,839 B1 5/2005 Rosten et al.
 D508,400 S * 8/2005 Scimone D9/422
 D523,743 S * 6/2006 Solowiejko et al. D9/417
 D531,025 S 10/2006 Tanner
 7,150,356 B2 12/2006 Lofgren et al.
 D535,102 S * 1/2007 Matsuda D3/302
 D541,045 S 4/2007 Peart et al.
 D554,495 S 11/2007 Hanji
 D554,502 S 11/2007 Hoffman et al.
 7,290,662 B2 11/2007 Lofgren et al.
 D557,601 S 12/2007 Minidis
 D557,602 S 12/2007 Terrasi
 D558,571 S 1/2008 Andre et al.
 D558,572 S 1/2008 Andre et al.
 7,316,318 B1 1/2008 Rosten et al.
 D576,901 S * 9/2008 Fraser et al. D10/104
 D580,752 S 11/2008 Andre et al.
 D582,267 S 12/2008 Andre et al.
 D584,142 S 1/2009 Andre et al.
 D585,733 S * 2/2009 Feibelman D9/423
 2006/0032765 A1 2/2006 Morhard et al.

FOREIGN PATENT DOCUMENTS

JP	61-40925	3/1986
KR	30-0267299	12/2000
KR	30-0457475	7/2007
TW	0488766	4/1989
TW	D105819	8/2005

* cited by examiner

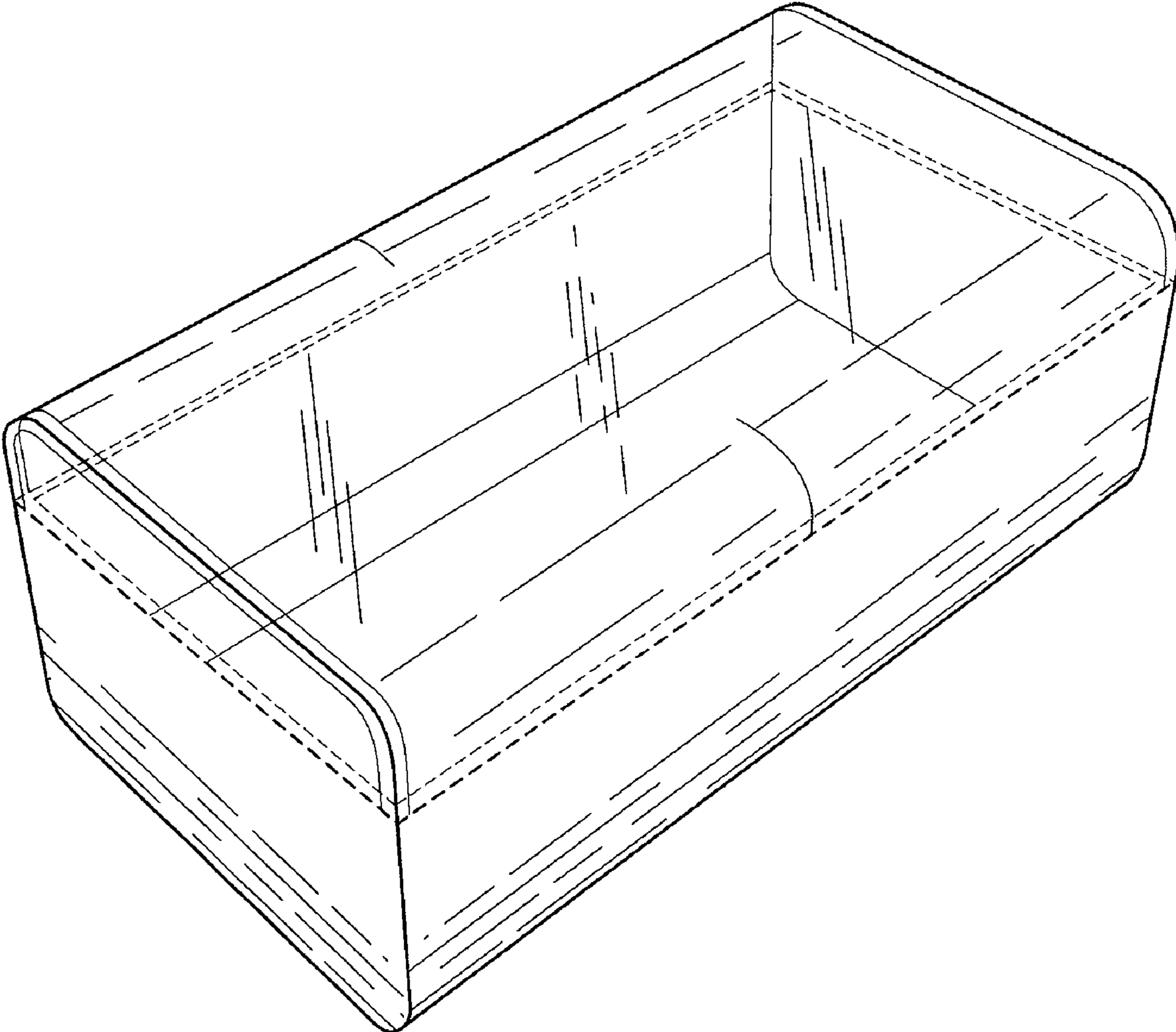


FIG. 1

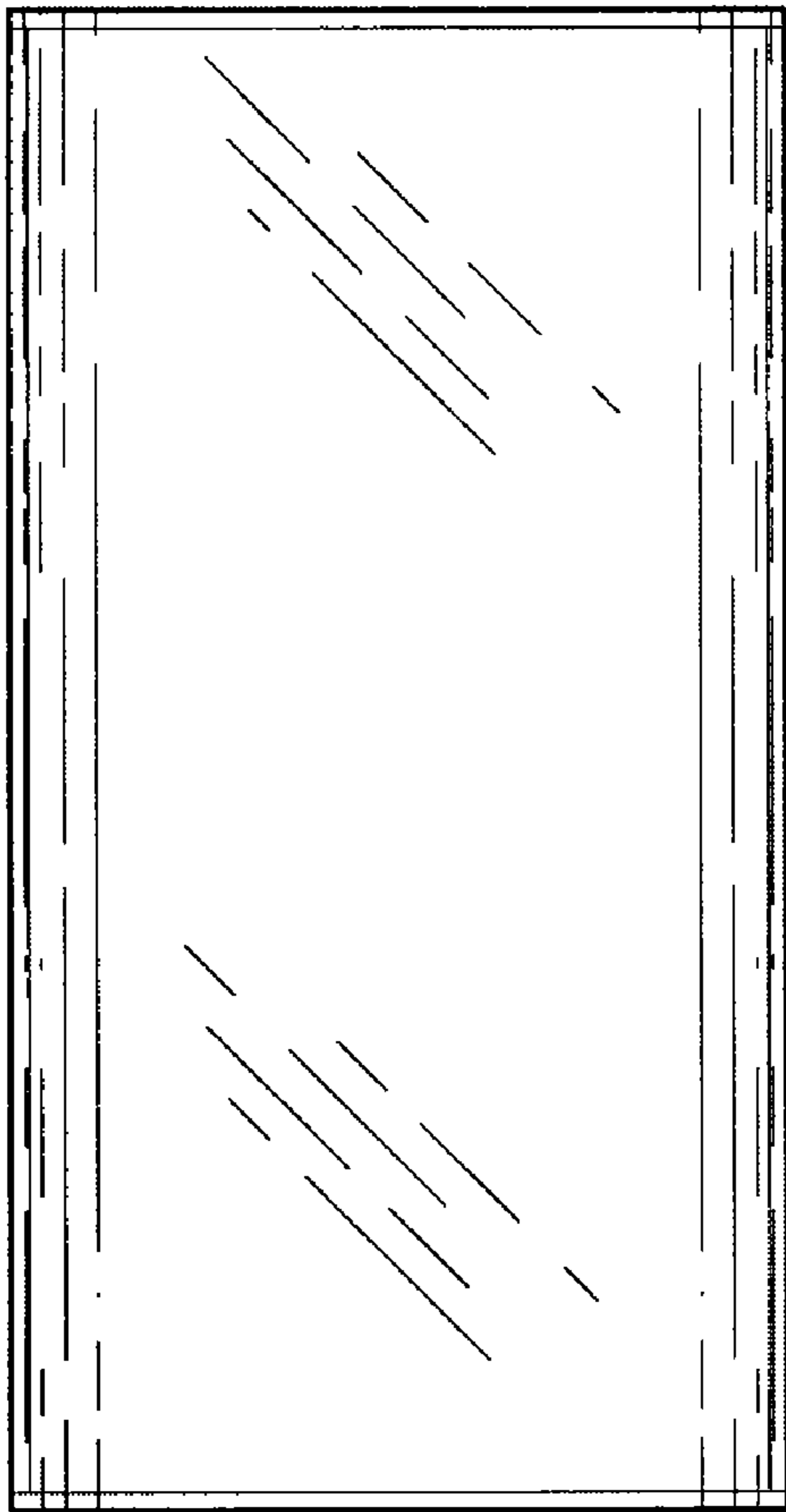


FIG. 2

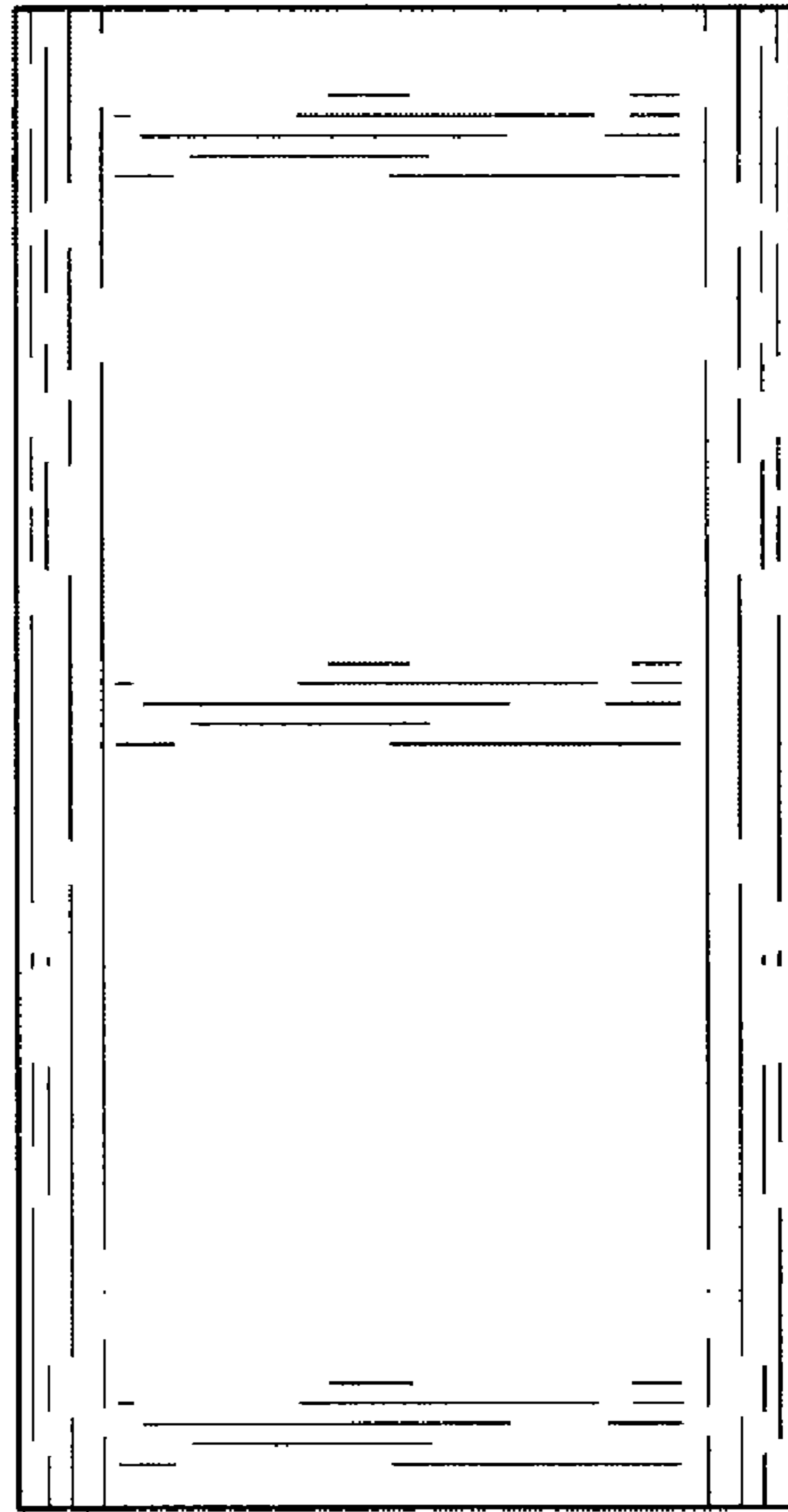


FIG. 3

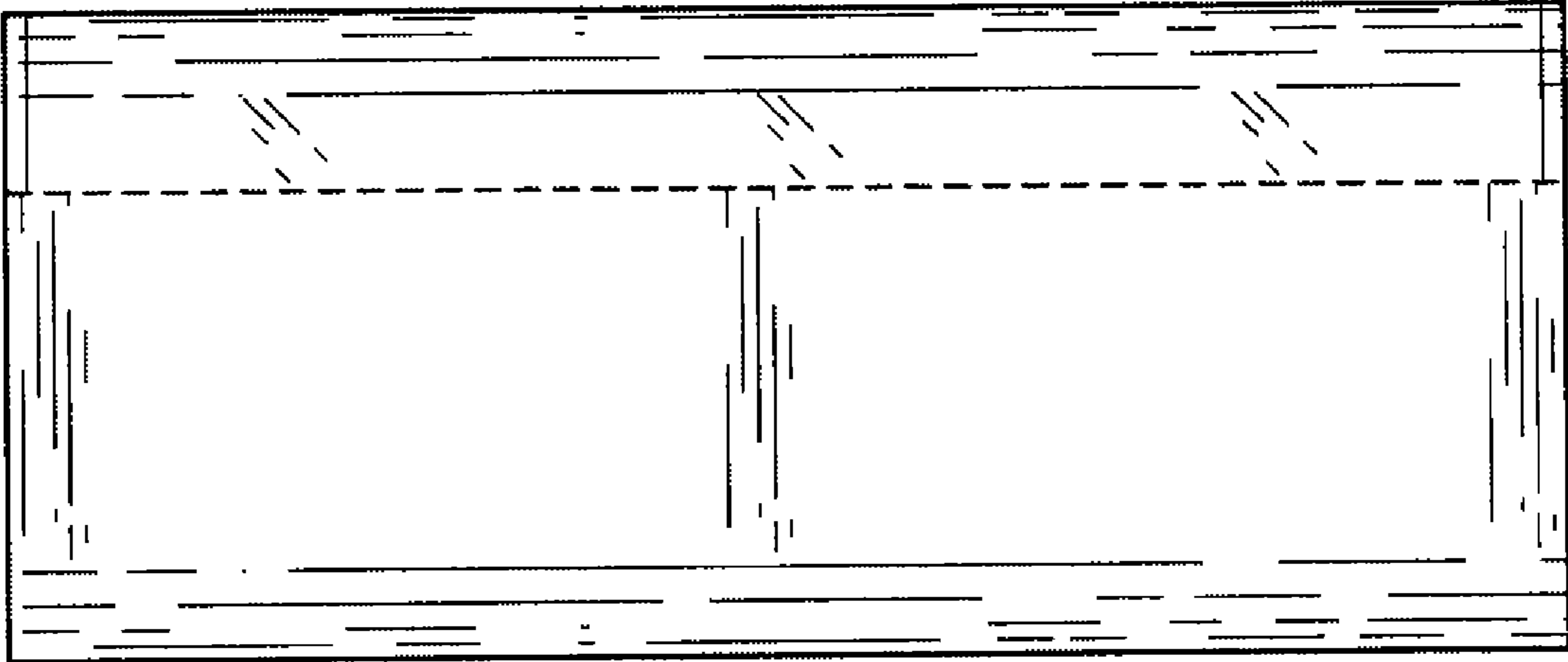


FIG. 4

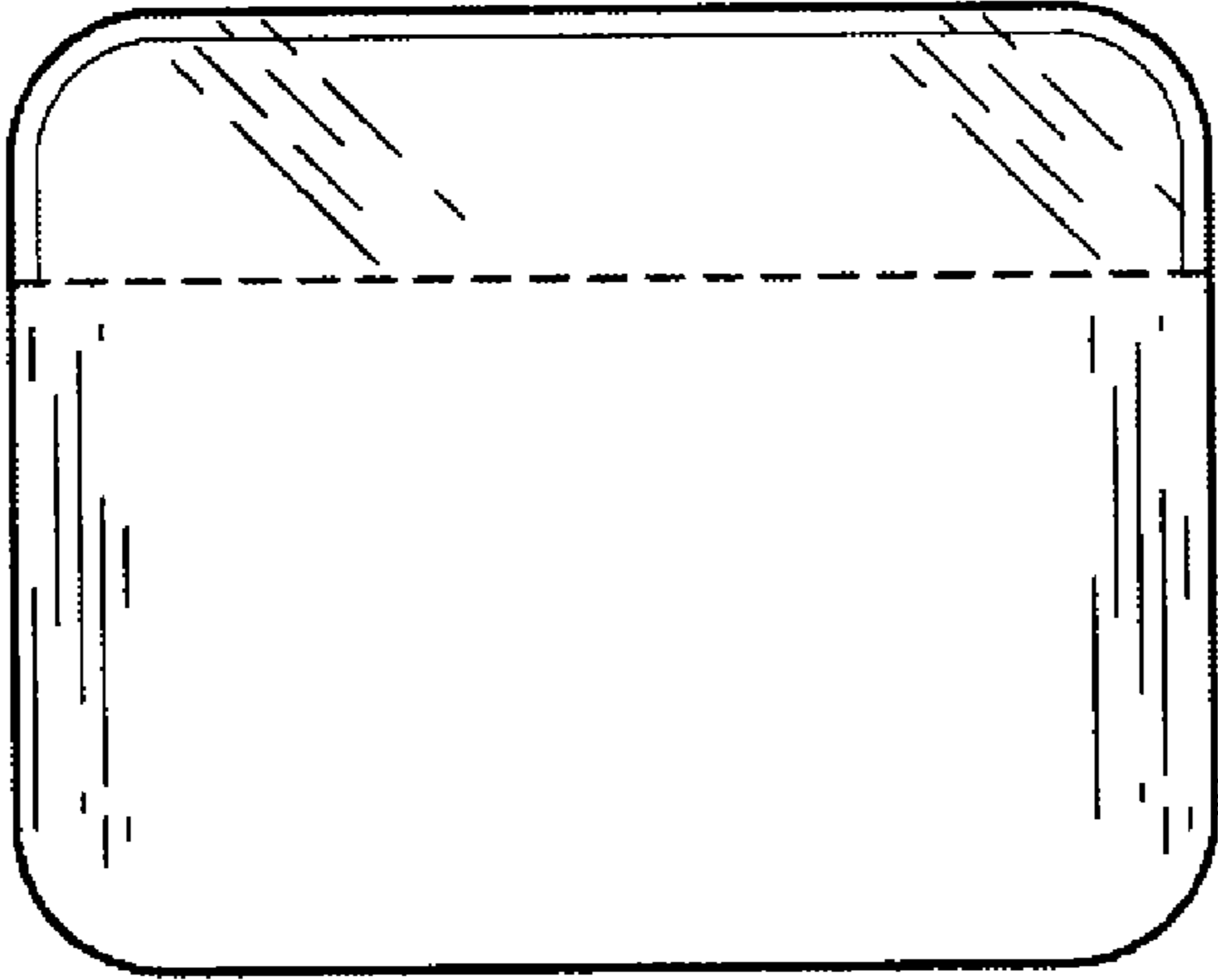


FIG. 5