



US00D616737S

(12) **United States Design Patent**  
**Britt et al.**

(10) **Patent No.:** **US D616,737 S**  
(45) **Date of Patent:** **\*\* \*Jun. 1, 2010**

(54) **PACKAGING FOR FRAUD DETECTION IN A PORTABLE DEVICE**

(75) Inventors: **Chris Britt**, San Francisco, CA (US);  
**Erin Pursell**, San Francisco, CA (US);  
**Carrie Vriheas**, San Francisco, CA (US);  
**Karen Hyun**, San Mateo, CA (US)

(73) Assignee: **Visa U.S.A. Inc.**, San Francisco, CA (US)

(\*\*) Term: **14 Years**

(21) Appl. No.: **29/341,937**

(22) Filed: **Aug. 14, 2009**

**Related U.S. Application Data**

(60) Division of application No. 29/280,548, filed on May 31, 2007, now Pat. No. Des. 598,280, which is a continuation-in-part of application No. 11/738,310, filed on Apr. 20, 2007.

(51) **LOC (9) Cl.** ..... **09-03**

(52) **U.S. Cl.** ..... **D9/416**

(58) **Field of Classification Search** ..... D9/700,  
D9/702, 707-711, 715, 720-722, 414-416,  
D9/422, 432, 433, 434, 457, 499; D19/2,  
D19/3, 9-11; D3/208, 212, 215, 226, 227,  
D3/247, 249, 250, 302, 303; D14/436; D20/19,  
D20/22, 27, 28, 40, 42, 43; D6/407, 626,  
D6/632, 633; 206/232, 307, 308.2, 312,  
206/719, 720, 530, 440, 449, 459.1, 459.5,  
206/461-471, 472-475, 476, 484, 494, 39,  
206/39.6, 39.7, 525, 804, 807, 824; 229/68.01,  
229/68.2, 307-316, 81, 924, 926; 235/380-382.5,  
235/486; 283/110-111, 61, 65, 904

See application file for complete search history.

(56) **References Cited**

**U.S. PATENT DOCUMENTS**

702,100 A 6/1902 Keller

(Continued)

*Primary Examiner*—Catherine Tuttle

(74) *Attorney, Agent, or Firm*—May M. Mowzoon; Quarles & Brady LLP

(57) **CLAIM**

The ornamental design for a packaging for fraud detection in a portable device, as shown and described.

**DESCRIPTION**

FIG. 1 is a front perspective view showing our new design for a packaging for fraud detection in a portable device; the view showing a closed seam in packaging that is stitched closed with threading, where the seam can be opened by pulling on an end of the thread that extends off the packaging;

FIG. 2 is a left side elevational view of the packaging seen in FIG. 1;

FIG. 3 is a front elevational view of the packaging seen in FIG. 1;

FIG. 4 is a right side elevational view of the packaging seen in FIG. 1, where the right side shows a portion of the closed seam;

FIG. 5 is a rear elevational view of the packaging seen in FIG. 1;

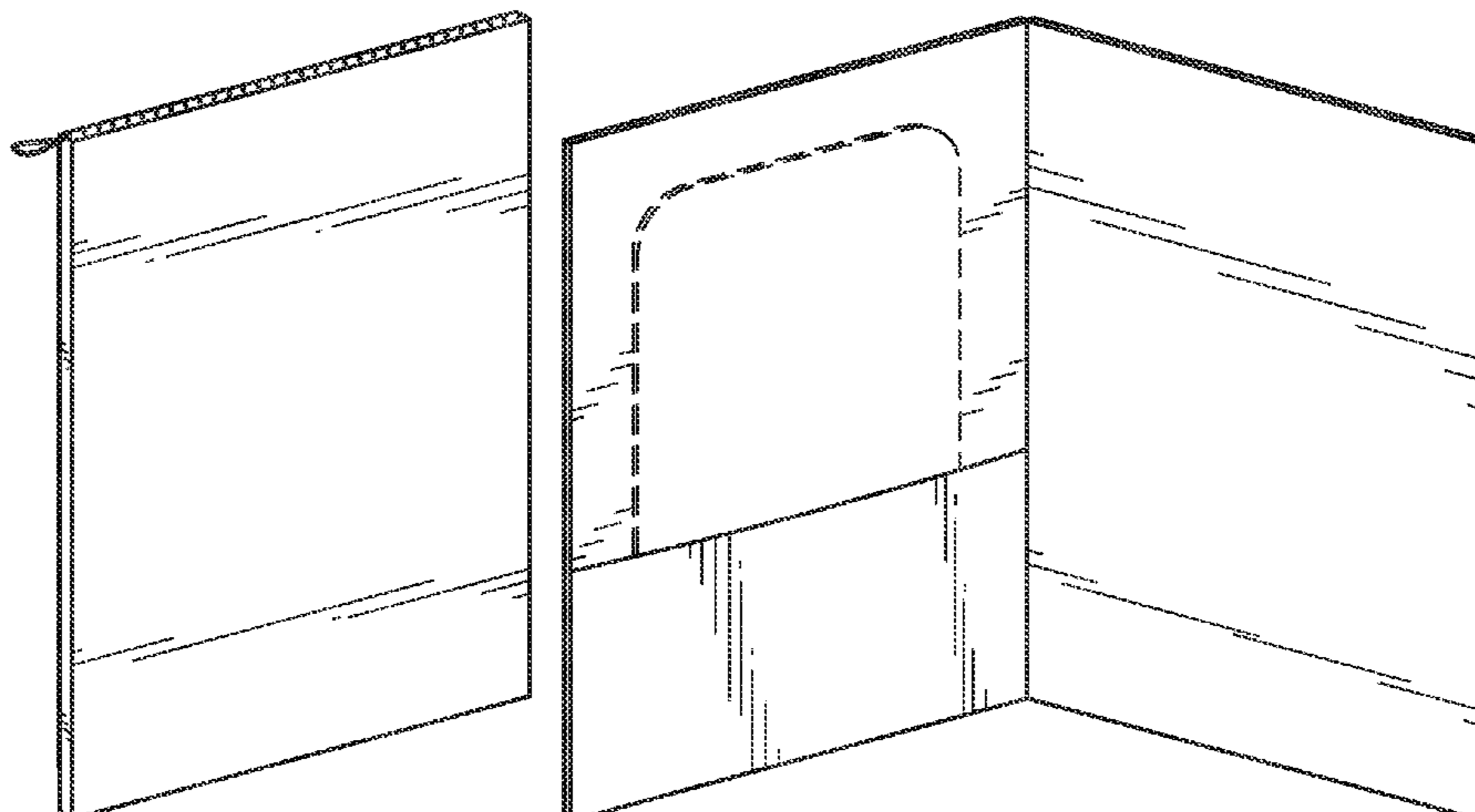
FIG. 6 is a top plan view of the packaging seen in FIG. 1, where the top shows a portion of the closed seam;

FIG. 7 is a bottom plan view of the packaging seen in FIG. 1, where the bottom shows a portion of the closed seam; and,

FIG. 8 is a front perspective view showing the design in an opened condition of the packaging seen in FIG. 1 in an open position thereof, the view showing the seam on three (3) sides of the packaging and having been opened by removal of the threading to reveal by broken line the portable device that is not part of the design sought to be patented.

The dotted lines in FIGS. 1, 4, 6, and 7 indicate the frangible portion of the packaging forming part of the claim. The broken (dashed) lines showing the portable device contained within the package in FIG. 8 is for illustrative purposes only; and form no part of the claimed design.

**1 Claim, 3 Drawing Sheets**



# US D616,737 S

U.S. PATENT DOCUMENTS					
1,641,110 A	8/1927	Wulfing	6,561,657 B1	5/2003	Schofield
1,713,153 A	5/1929	Webber	D475,918 S	6/2003	Ajootian
2,075,529 A *	3/1937	Leubrie ..... 434/88	6,610,338 B2 *	8/2003	Tang ..... 426/115
D154,536 S	7/1949	Forschner	D485,573 S *	1/2004	Li ..... D19/10
2,596,374 A	5/1952	Crapster	D494,632 S	8/2004	Gladstone
D170,961 S	12/1953	Blish	D494,999 S	8/2004	Cook, Jr.
2,896,290 A	7/1959	Salm et al.	6,827,214 B2	12/2004	Alzner et al.
3,127,089 A	3/1964	Freeman	D509,654 S	9/2005	Miller
3,255,869 A	6/1966	Keller	6,938,931 B1 *	9/2005	Davis ..... 281/15.1
3,405,863 A	10/1968	Kugler	6,974,157 B1 *	12/2005	Hammon ..... 281/15.1
3,966,524 A	6/1976	Lehmacher	7,005,170 B1	2/2006	Simpson et al.
D270,622 S	9/1983	Hardy	7,028,892 B2	4/2006	Morgan
4,442,936 A	4/1984	Densham	7,032,817 B2	4/2006	Blank
4,461,661 A	7/1984	Fabel	7,070,095 B1	7/2006	Gandel et al.
4,498,591 A	2/1985	Smith, II	D531,021 S	10/2006	Ashby et al.
4,576,316 A	3/1986	Foster	7,207,154 B2	4/2007	Araujo
4,740,090 A	4/1988	McNamee	D545,689 S	7/2007	Peel
4,742,908 A	5/1988	Thomas et al.	D546,705 S	7/2007	Suzuki
4,890,936 A	1/1990	Cooper	7,237,676 B2	7/2007	Celia
4,907,359 A	3/1990	Berman	7,278,570 B2	10/2007	McGee et al.
4,938,347 A *	7/1990	Tillman ..... 206/209	D561,604 S	2/2008	Galor
D310,849 S	9/1990	Davis	7,404,488 B2	7/2008	Verbruggen et al
5,106,090 A	4/1992	Greenwood	7,413,079 B2	8/2008	Hermansson et al.
5,271,494 A	12/1993	Odermatt et al.	7,490,720 B2 *	2/2009	Cole et al. .... 206/232
5,291,995 A	3/1994	von Agris et al.	2003/0042732 A1 *	3/2003	Wright ..... 283/61
5,308,121 A	5/1994	Gunn	2003/0150763 A1	8/2003	Chen
D347,994 S	6/1994	Hammond	2003/0188815 A1	10/2003	Hart
D350,983 S *	9/1994	Penniman ..... D19/26	2004/0074799 A1	4/2004	Bell et al.
5,380,046 A *	1/1995	Stephens ..... 283/75	2005/0011776 A1	1/2005	Nagel
5,443,154 A	8/1995	Hustad et al.	2005/0045503 A1	3/2005	Wong et al.
D368,428 S	4/1996	Croft	2006/0091202 A1	5/2006	McInnis
5,609,253 A *	3/1997	Goade, Sr. .... 206/460	2006/0151348 A1	7/2006	Willard
D382,668 S	8/1997	Dolan	2006/0255154 A1	11/2006	Newbrough et al.
5,711,469 A	1/1998	Gormley et al.	2006/0290501 A1	12/2006	Hammad
D394,604 S	5/1998	Cammack	2007/0013521 A1	1/2007	Lindsay et al.
5,760,381 A *	6/1998	Stich et al. .... 235/380	2007/0040030 A1	2/2007	Kranzey et al.
5,842,629 A	12/1998	Sprague et al.	2007/0074799 A1	4/2007	Nakane et al.
5,893,459 A	4/1999	Croft	2007/0246527 A1	10/2007	Tang
5,918,909 A	7/1999	Fiala et al.	2007/0252381 A1	11/2007	Weisz et al.
6,108,957 A	8/2000	Zapawa	2008/0116283 A1	5/2008	Newbrough et al.
6,109,439 A	8/2000	Goade, Sr.	2008/0217401 A1	9/2008	Birkeland et al.
6,116,655 A	9/2000	Thouin et al.	2008/0223914 A1	9/2008	Choi
6,457,863 B1	10/2002	Vassallo	2008/0257956 A1	10/2008	Grannan et al.
D474,235 S	5/2003	Haas	2008/0257966 A1	10/2008	Britt et al.

\* cited by examiner

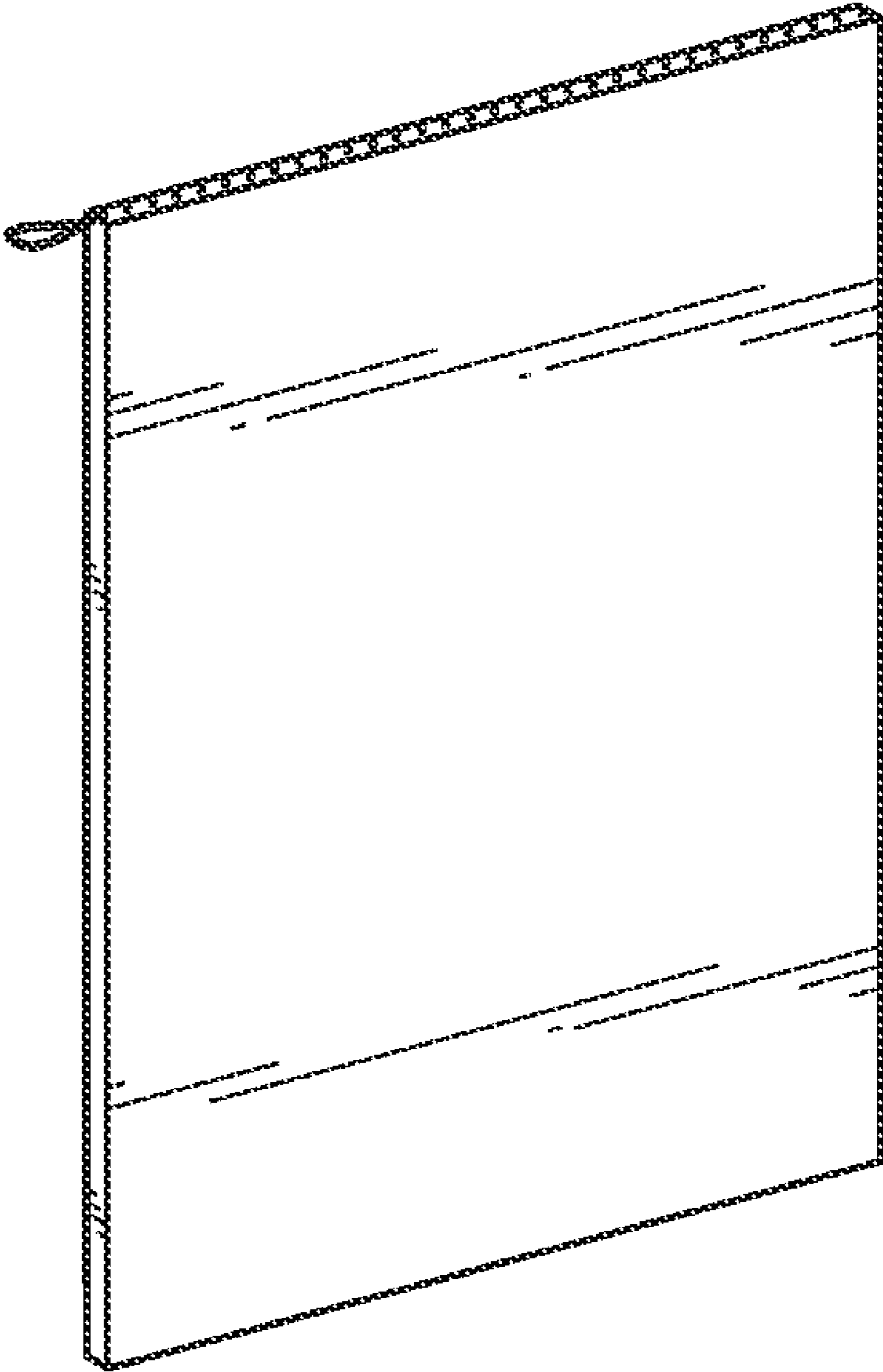


FIG. 1





FIG. 2

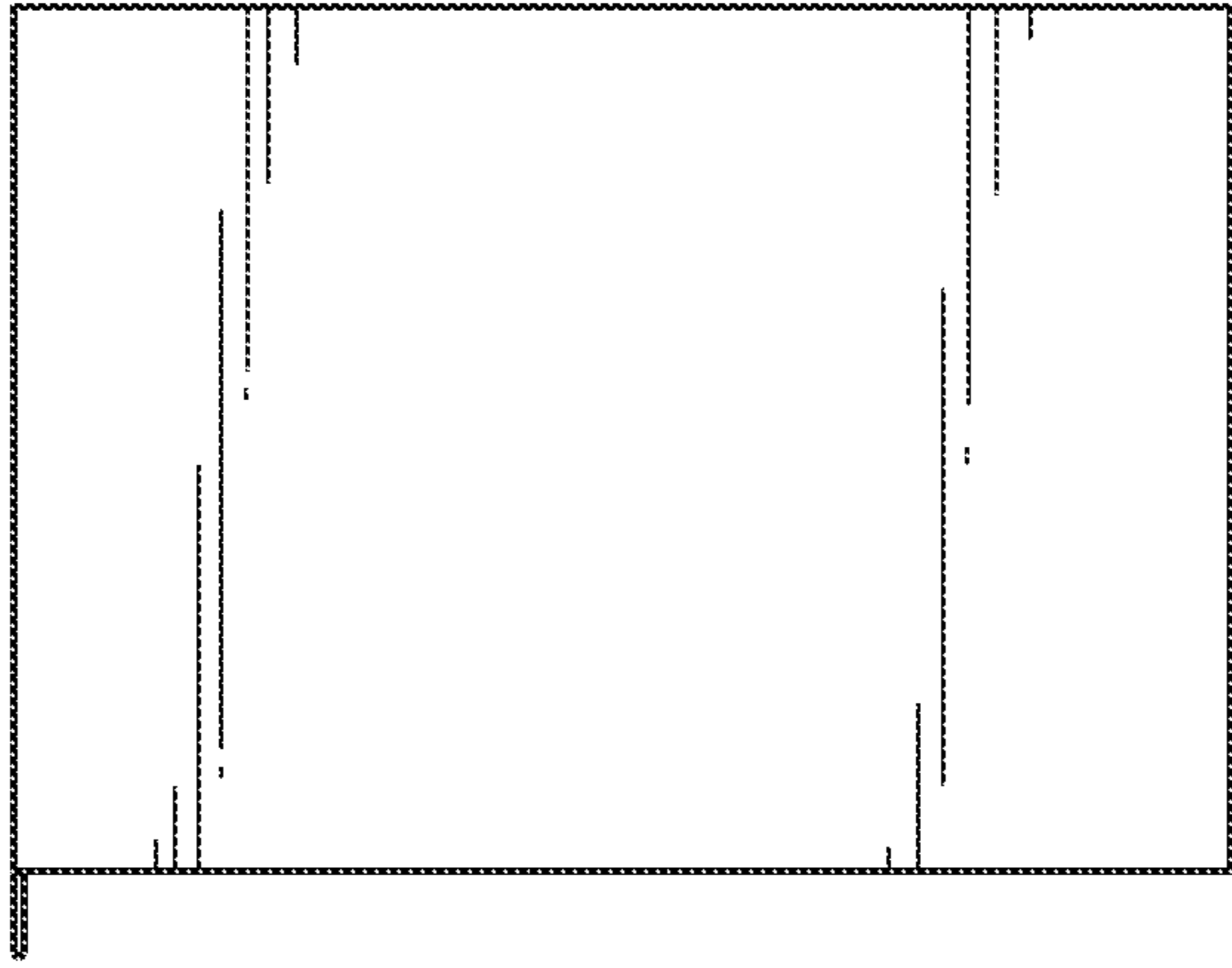


FIG. 3



FIG. 4

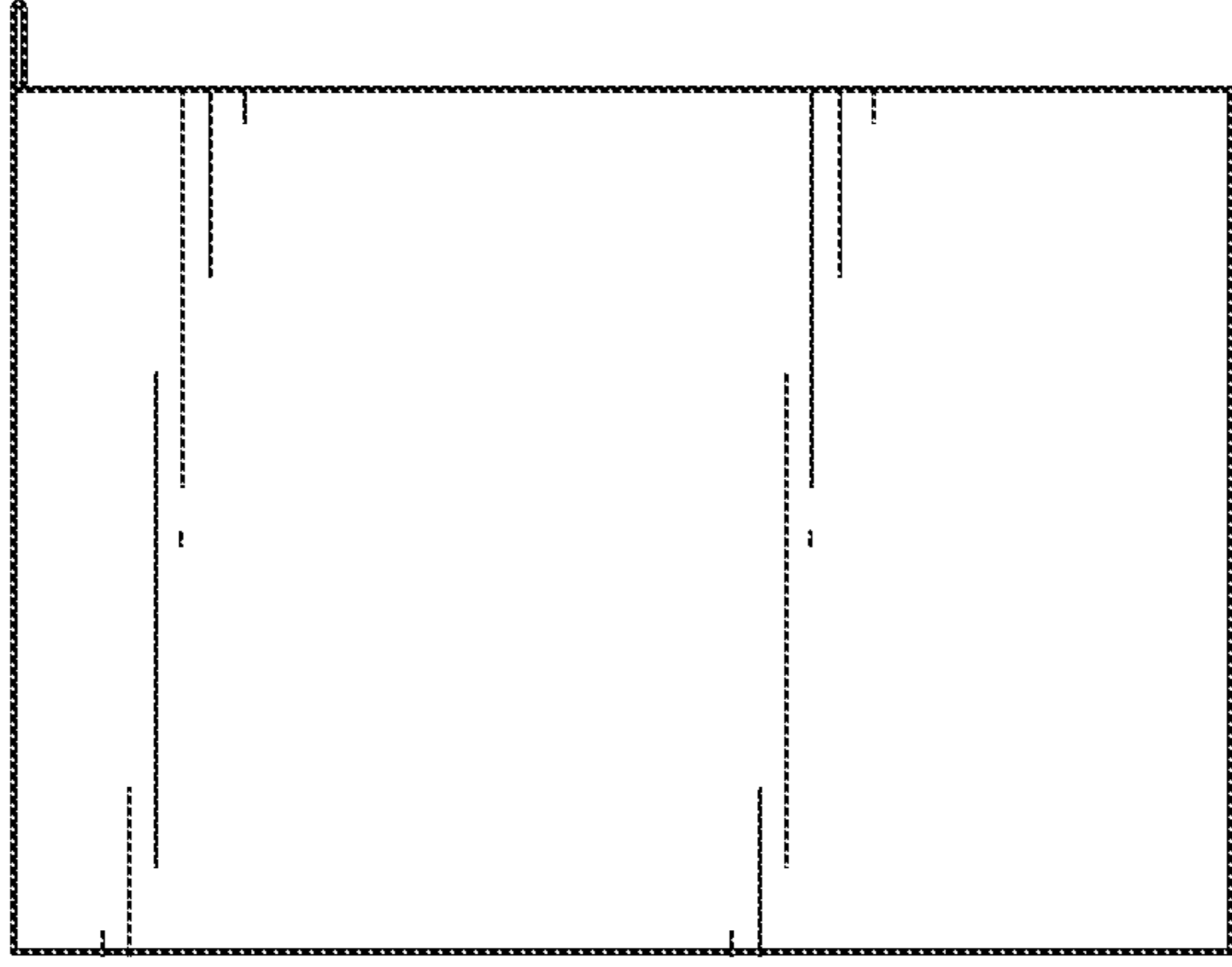


FIG. 5

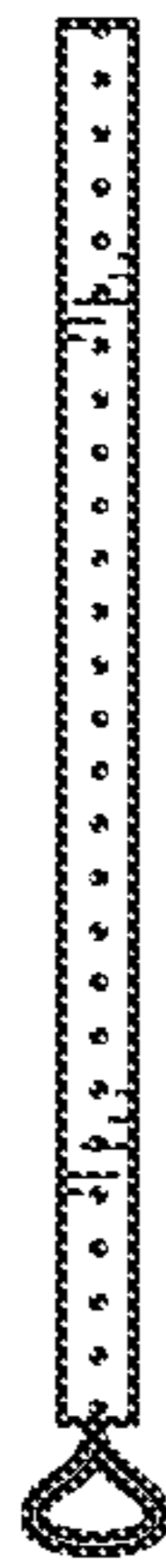


FIG. 6

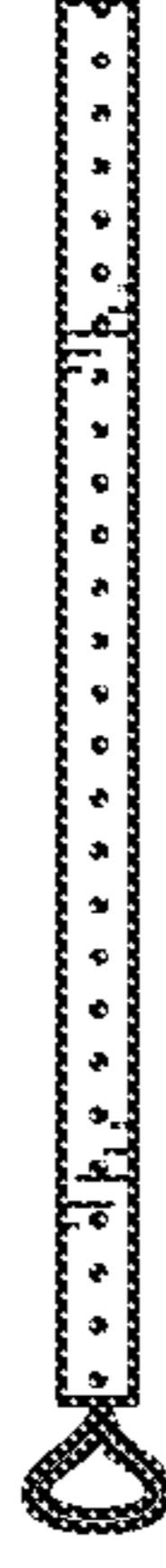


FIG. 7

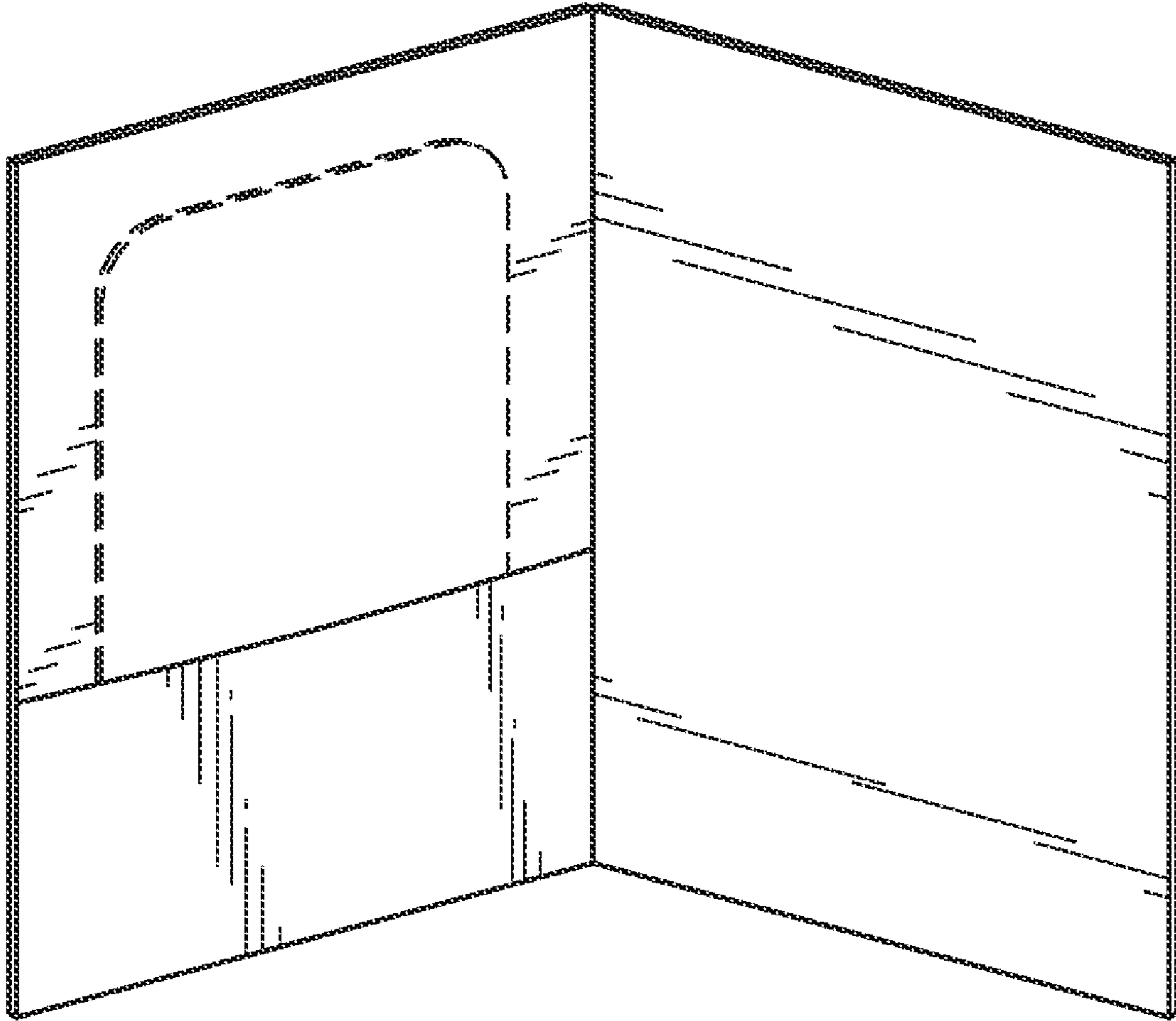


FIG.8