



US00D616734S

(12) **United States Design Patent**
Davis

(10) **Patent No.:** **US D616,734 S**

(45) **Date of Patent:** **** Jun. 1, 2010**

(54) **WHEEL SUPPORT**

D485,158 S * 1/2004 Thompson et al. D8/375
D609,553 S * 2/2010 Koizumi D8/354

(76) Inventor: **Wade Davis**, 300 E. Fork Rd., Williams,
OR (US) 97544

* cited by examiner

(**) Term: **14 Years**

Primary Examiner—Susan Bennett Hattan
(74) *Attorney, Agent, or Firm*—Gerald D Haynes

(21) Appl. No.: **29/313,072**

(57) **CLAIM**

(22) Filed: **Dec. 3, 2008**

The ornamental design for a wheel support, as shown and described.

(51) **LOC (9) Cl.** **08-05**

(52) **U.S. Cl.** **D8/375**

(58) **Field of Classification Search** D8/375,
D8/382, 354; D34/27; D3/318; D12/501,
D12/209, 208, 207; 16/47, 46, 45, 37, 35 R,
16/35 D, 31 R, 29, 18 R

See application file for complete search history.

DESCRIPTION

FIG. 1 is a front perspective view of a wheel support showing my new design;

FIG. 2 is a front view thereof;

FIG. 3 is a back view thereof;

FIG. 4 is a right side view thereof;

FIG. 5 is a left side thereof;

FIG. 6 is a top view; and,

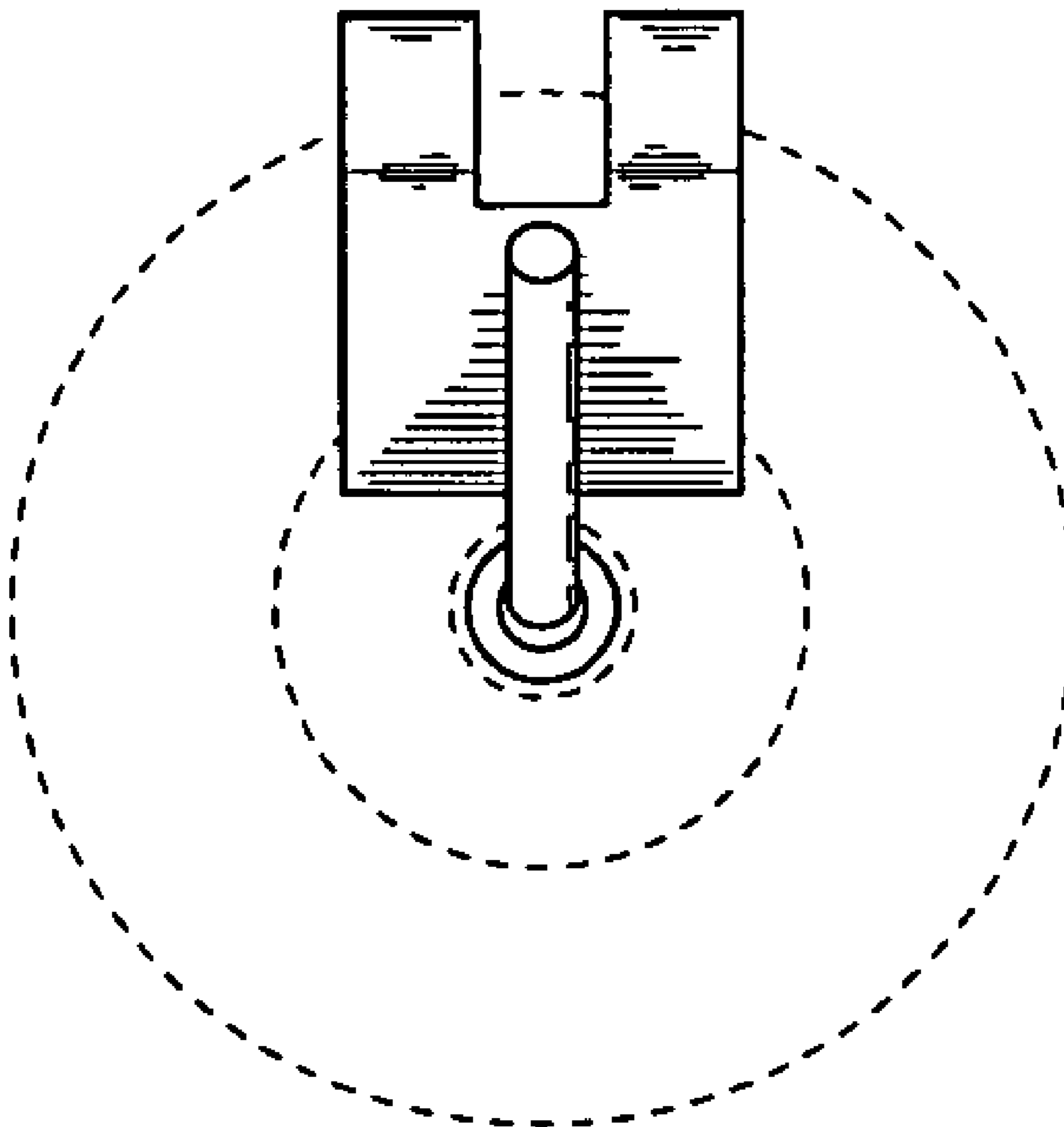
FIG. 7 is a bottom view thereof.

(56) **References Cited**

U.S. PATENT DOCUMENTS

D224,705 S * 9/1972 Mattson D8/375
3,777,829 A * 12/1973 Rogers 180/184
D231,600 S * 5/1974 Mullis D8/380
D246,572 S * 12/1977 Walter D8/354

1 Claim, 2 Drawing Sheets



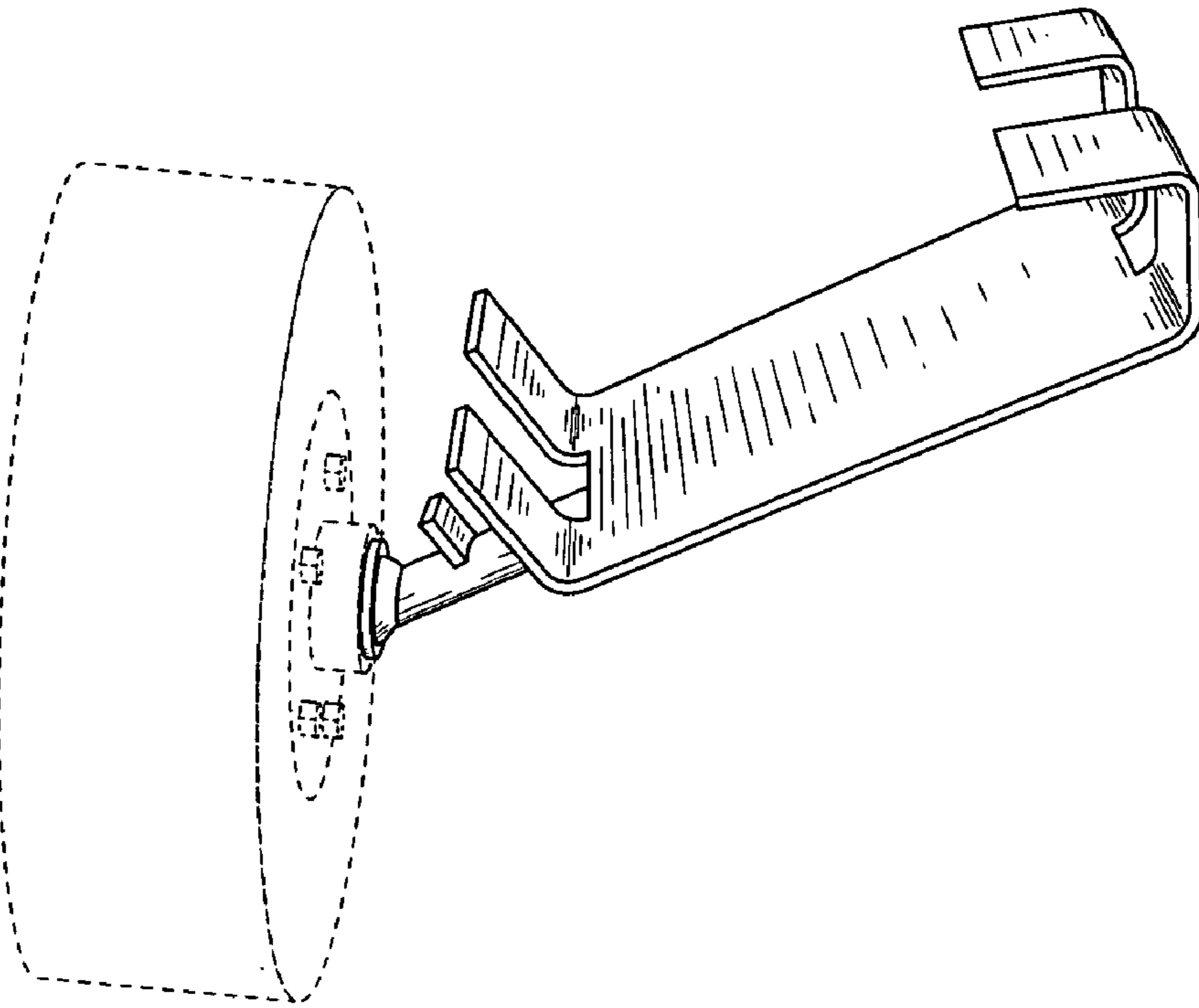


FIG. 1

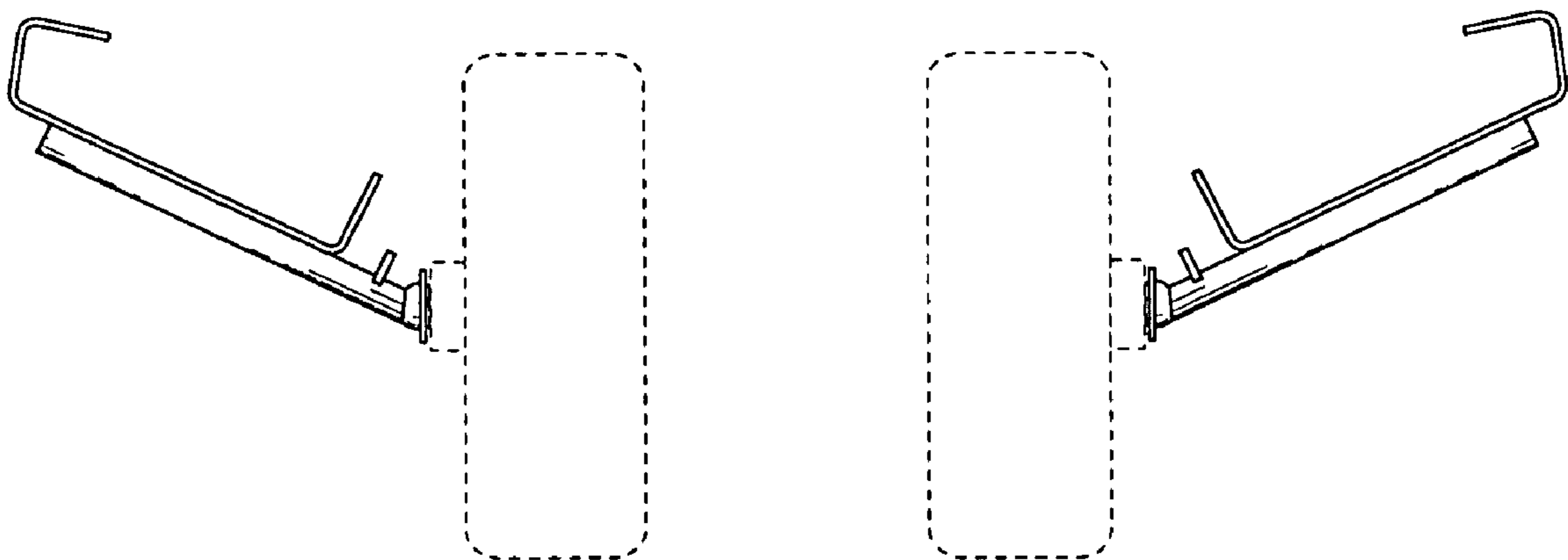


FIG. 2

FIG. 3

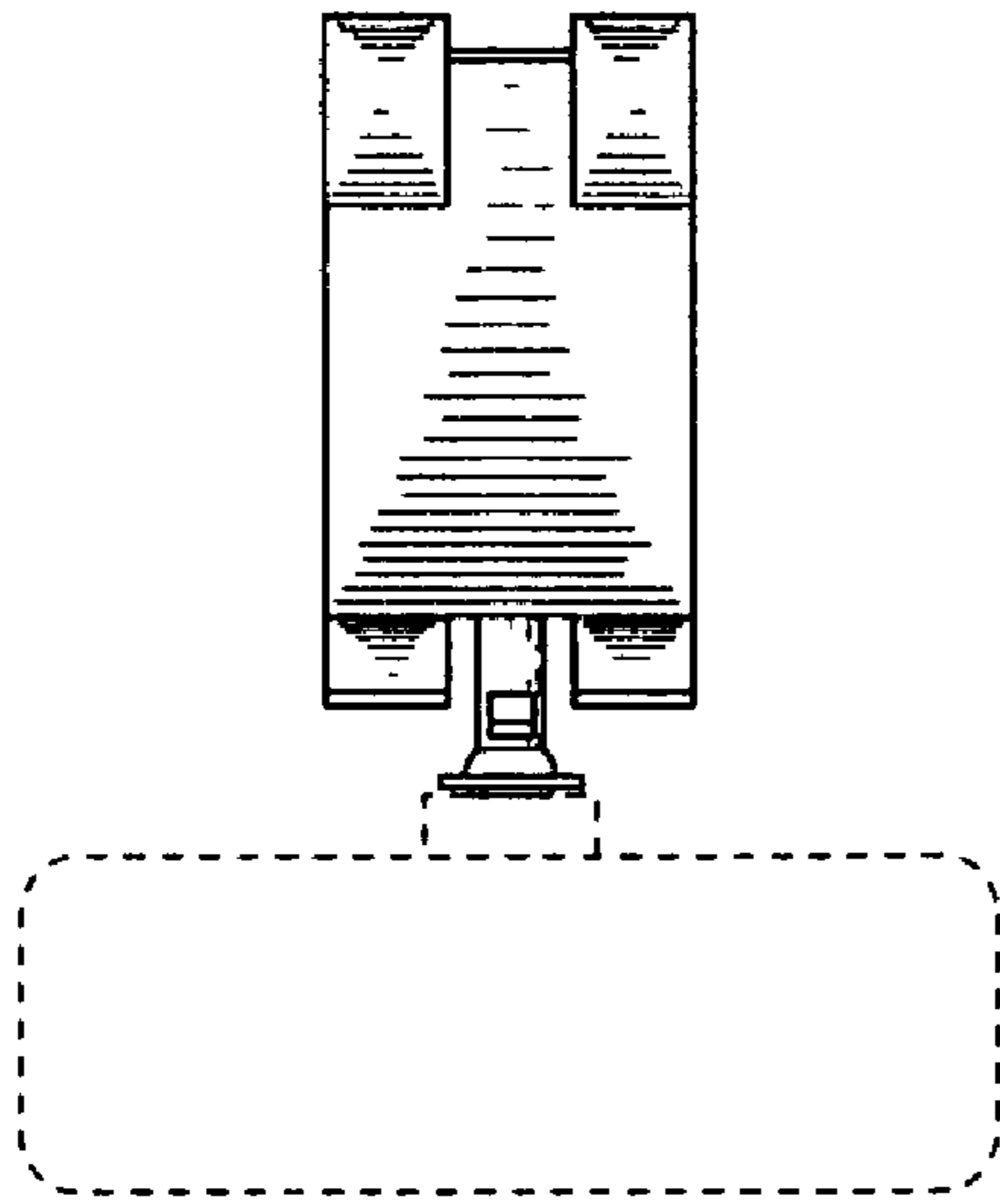


FIG. 4

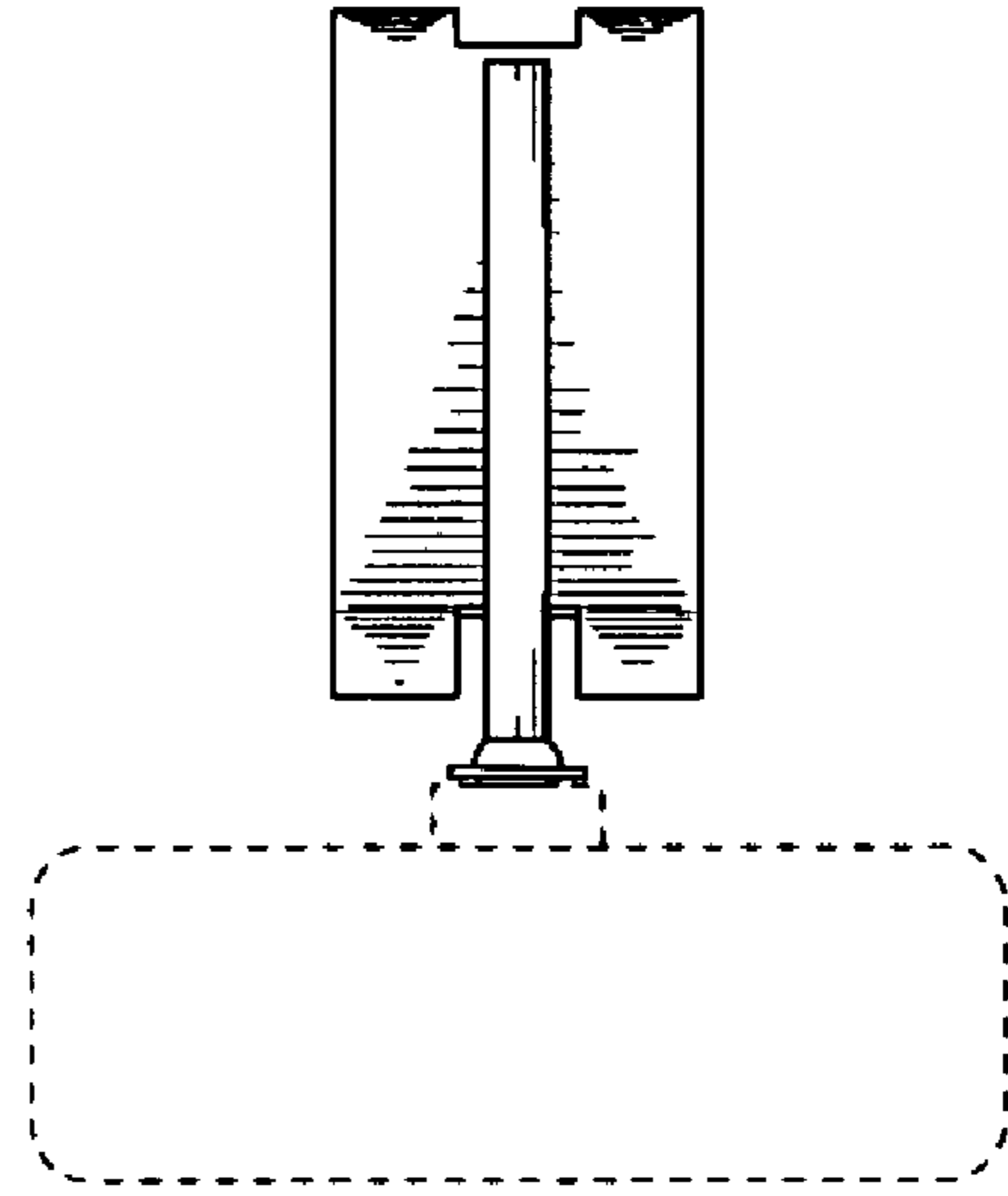


FIG. 5

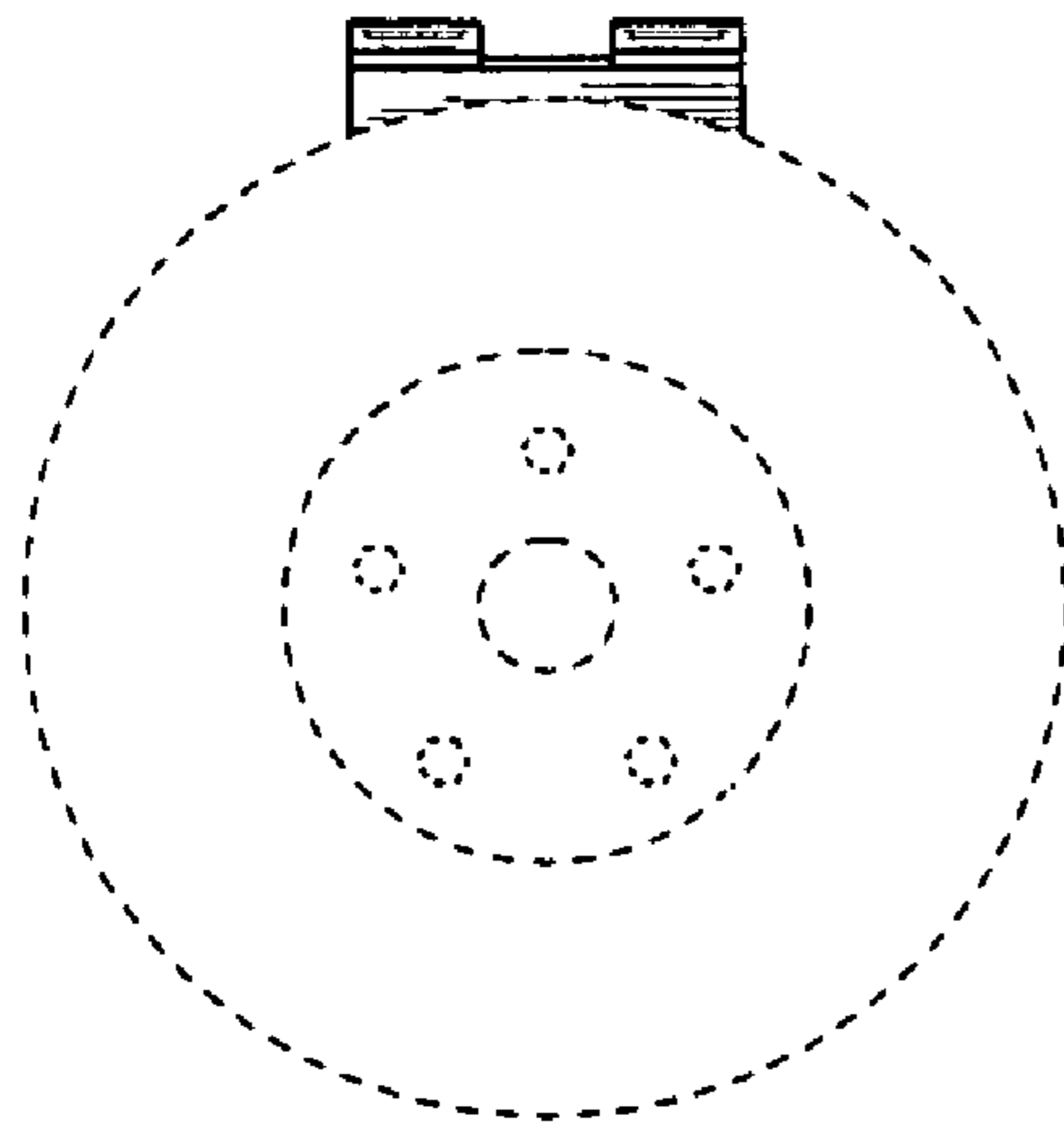


FIG. 6

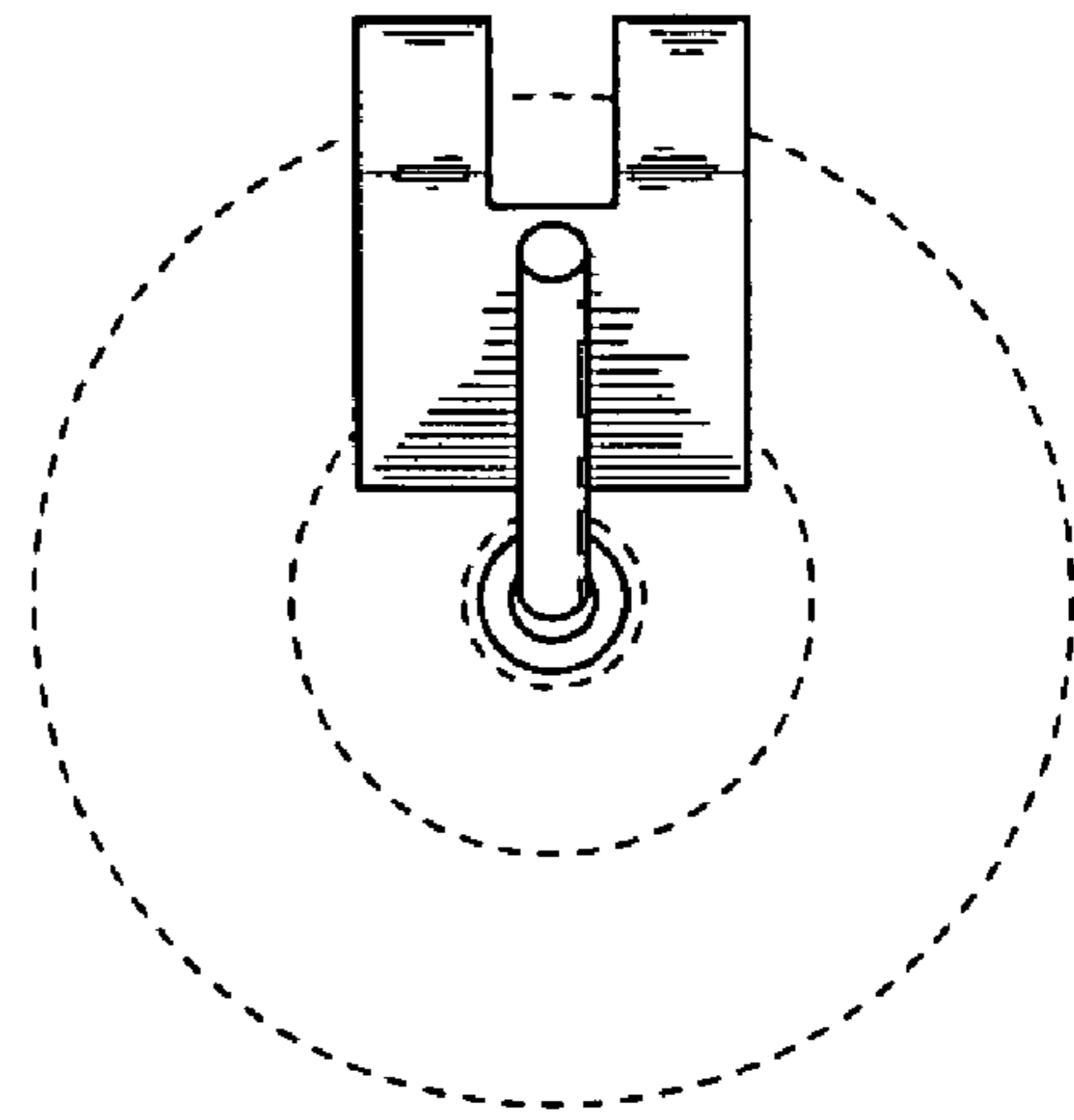


FIG. 7