



US00D616732S

(12) **United States Design Patent**
Brockington et al.

(10) **Patent No.:** **US D616,732 S**
(45) **Date of Patent:** **** Jun. 1, 2010**

(54) **WALL CLOCK MOUNT**

(57) **CLAIM**

(75) Inventors: **William T. Brockington**, Kernersville, NC (US); **Anthony D. Moore**, Summerfield, NC (US)

The ornamental design for a wall clock mount, as shown and described.

(73) Assignee: **Camco Manufacturing Inc.**, Greensboro, NC (US)

DESCRIPTION

(**) Term: **14 Years**

(21) Appl. No.: **29/313,751**

(22) Filed: **Feb. 5, 2009**

(51) **LOC (9) Cl.** **08-05**

(52) **U.S. Cl.** **D8/373**

(58) **Field of Classification Search** D8/349, D8/354, 373; D10/2, 21-22; D14/251-253; 248/220.21, 220.22, 222.51, 222.52, 224.7, 248/229.1, 488, 489, 496; 211/87.01

See application file for complete search history.

FIG. 1 is a top, rear left perspective exploded view of a wall clock mount according to the invention;

FIG. 2 is a top, rear left perspective assembled view thereof;

FIG. 3 is a rear elevational exploded view thereof;

FIG. 4 is a rear elevational assembled view thereof;

FIG. 5 is a front elevational assembled view thereof;

FIG. 6 is a front elevational exploded view thereof;

FIG. 7 is a left elevational exploded view thereof, the right elevational exploded view being a mirror image;

FIG. 8 is a left elevational assembled view thereof, the right elevational assembled view being a mirror image;

FIG. 9 is a top plan assembled view thereof;

FIG. 10 is a bottom plan assembled view thereof;

FIG. 11 is a top, front right perspective exploded view thereof; and,

FIG. 12 is a top, front right perspective assembled view thereof.

The phantom lines in FIGS. 1 and 2 are for illustrative purposes only to show the clock face to which the invention is attached and form no part of the claimed design.

(56) **References Cited**

U.S. PATENT DOCUMENTS

2,651,908 A 9/1953 Fargo
5,735,493 A 4/1998 Ditch

OTHER PUBLICATIONS

Pending U.S. Appl. No. 29/308,608, filed Jun. 25, 2008 of William T. Brockington, et al.

Primary Examiner—Holly H Baynham

1 Claim, 5 Drawing Sheets

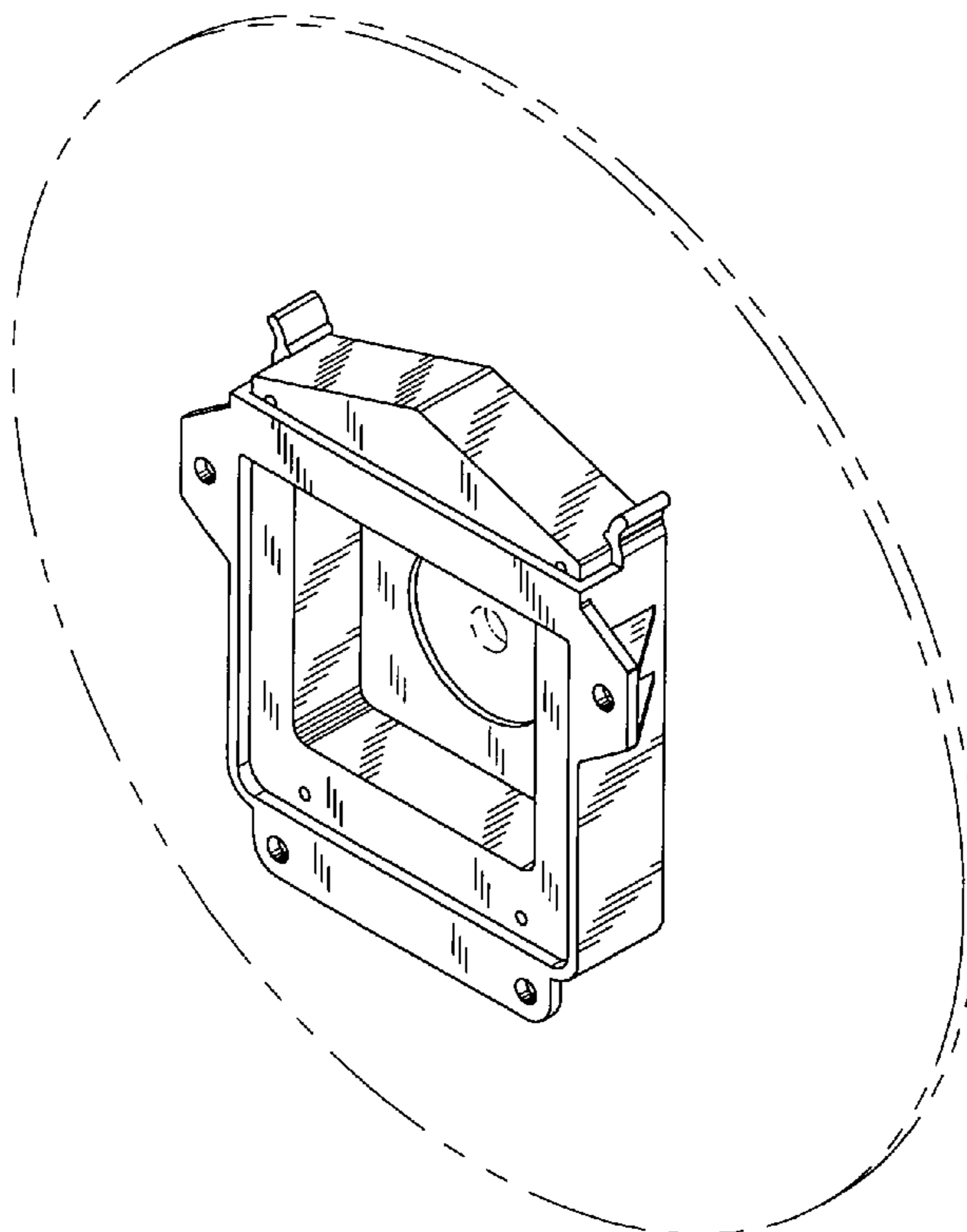
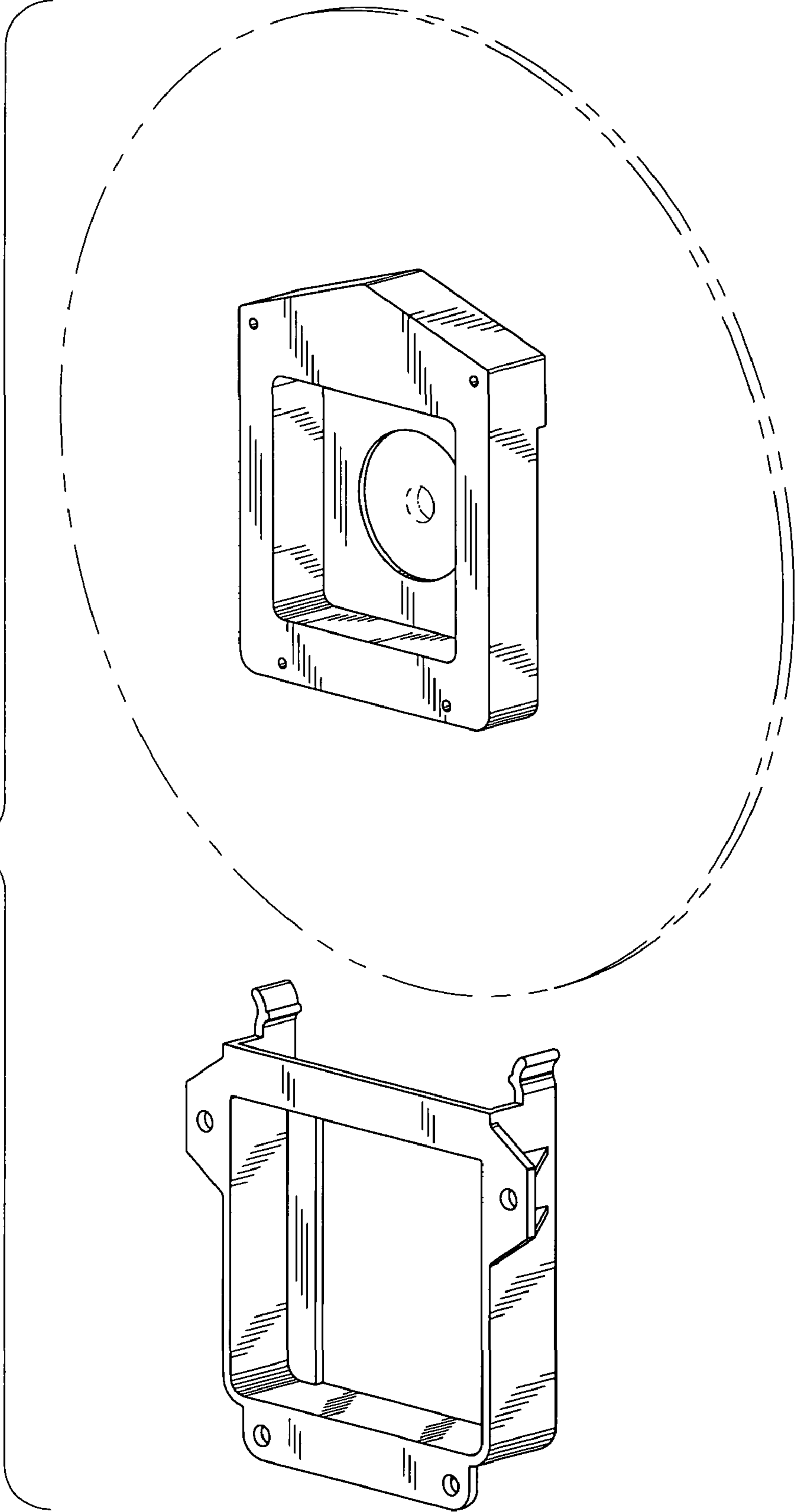


FIG. 1



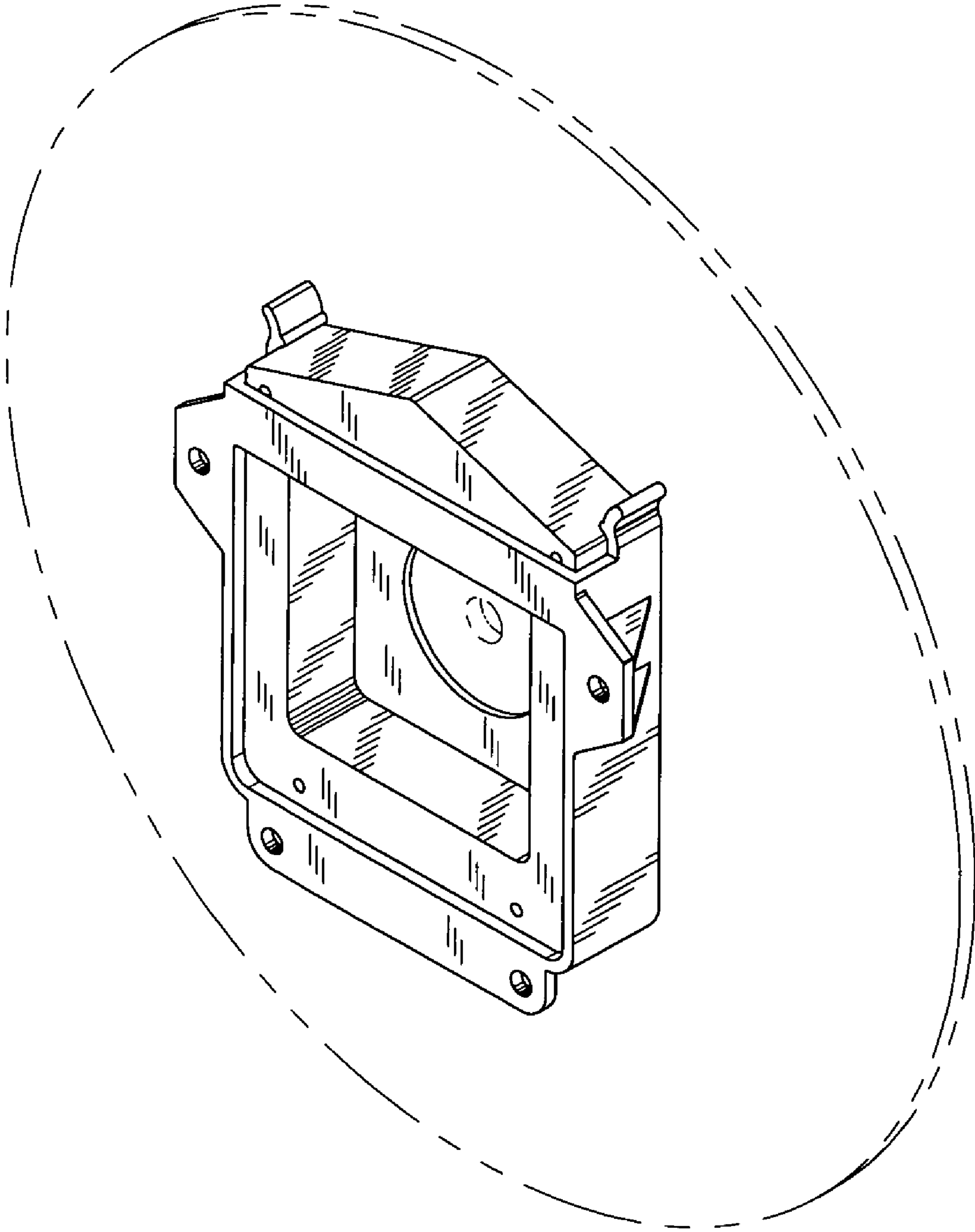


FIG. 2

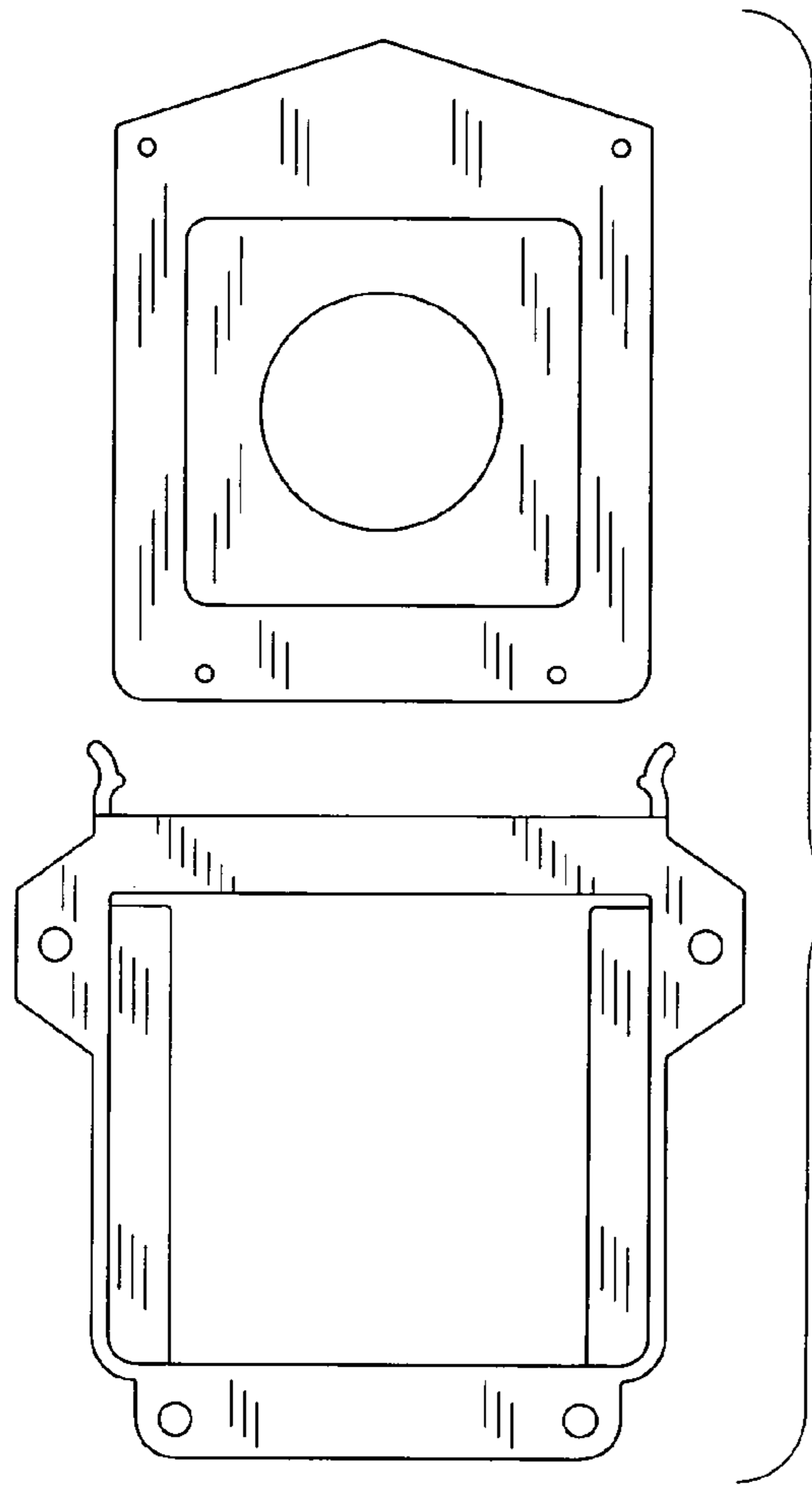


FIG. 3

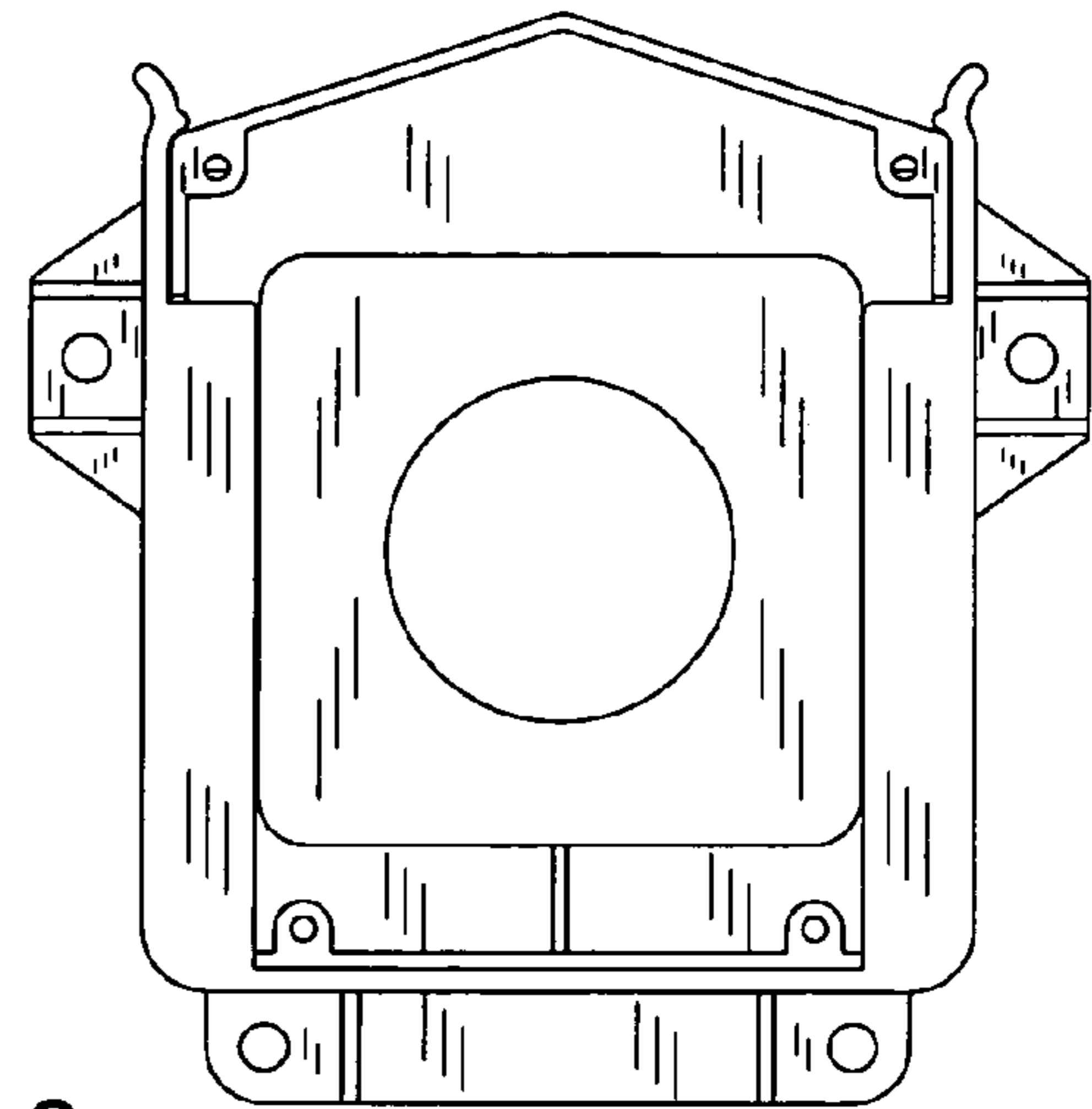


FIG. 5

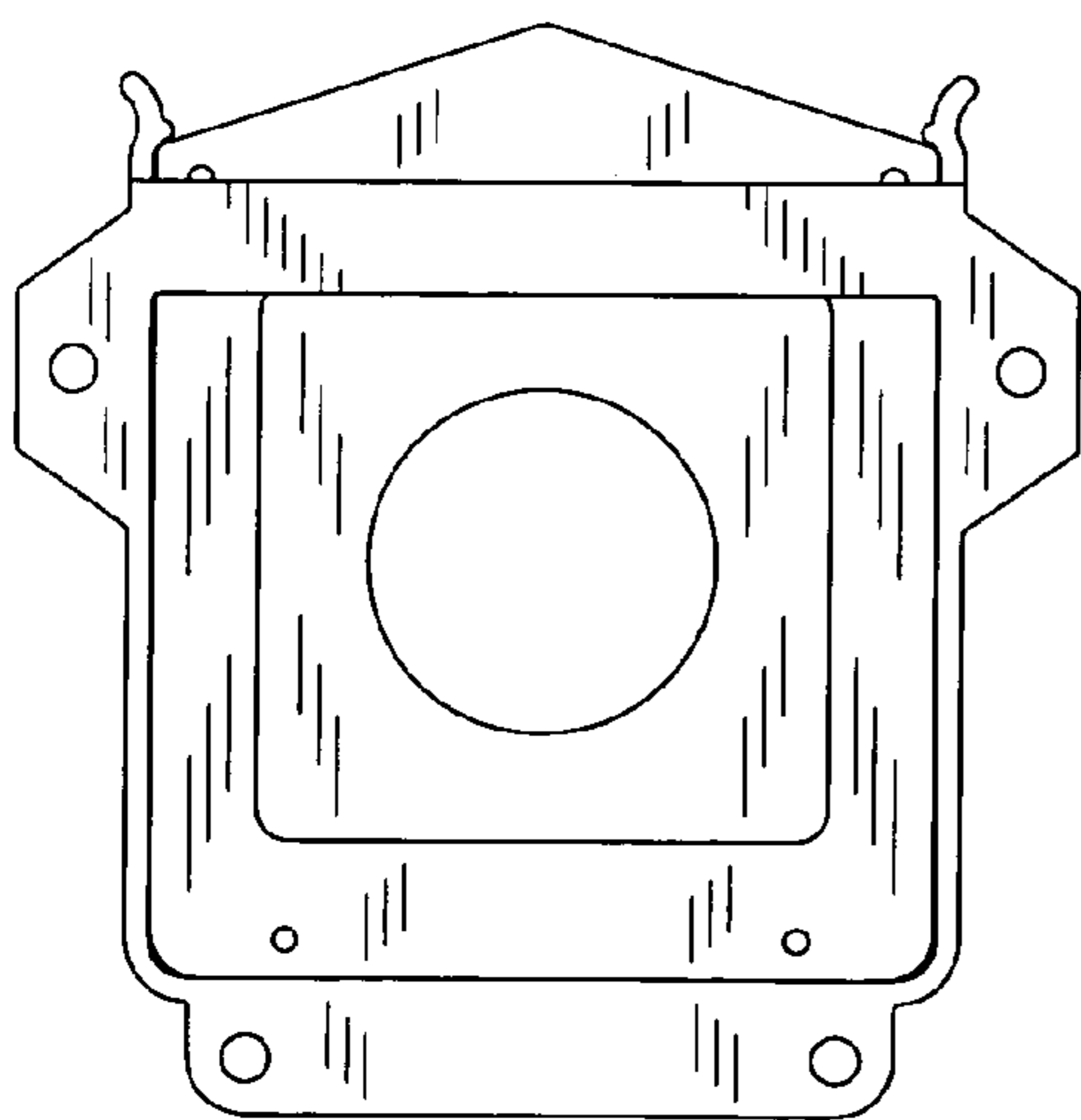
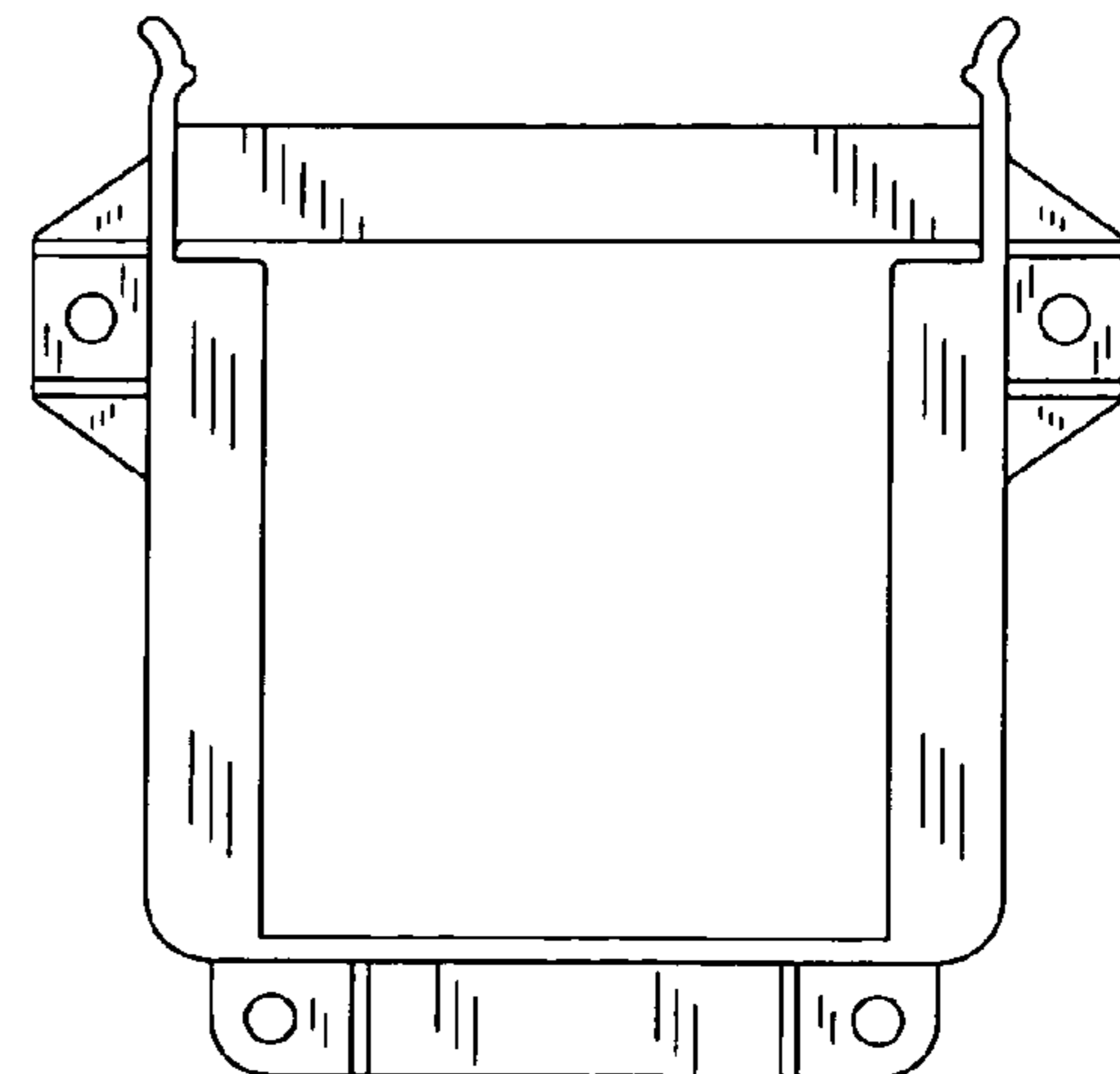
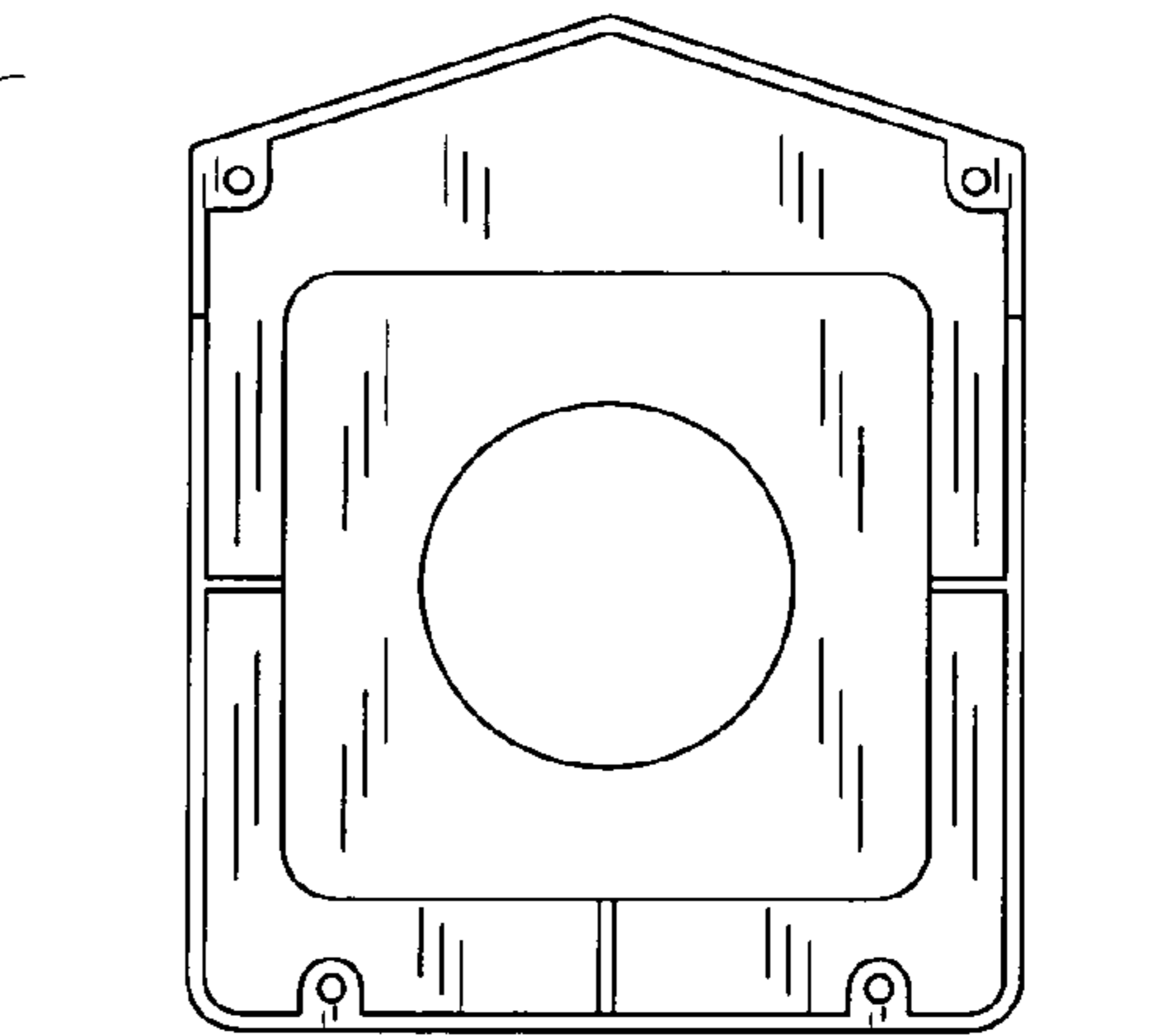
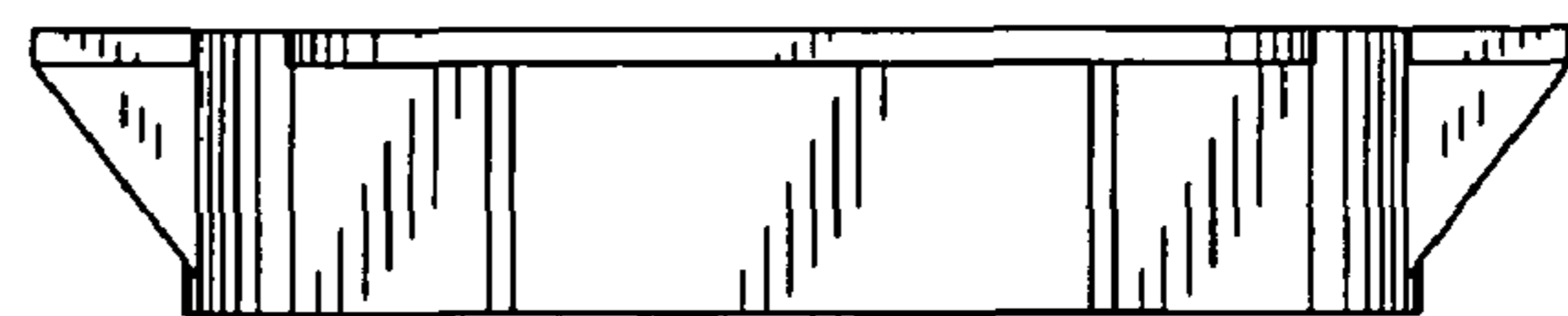
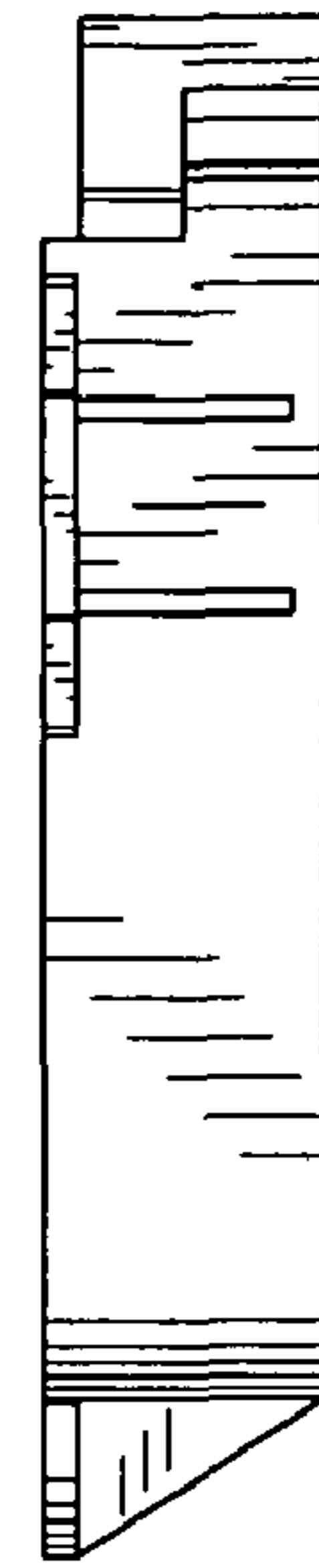
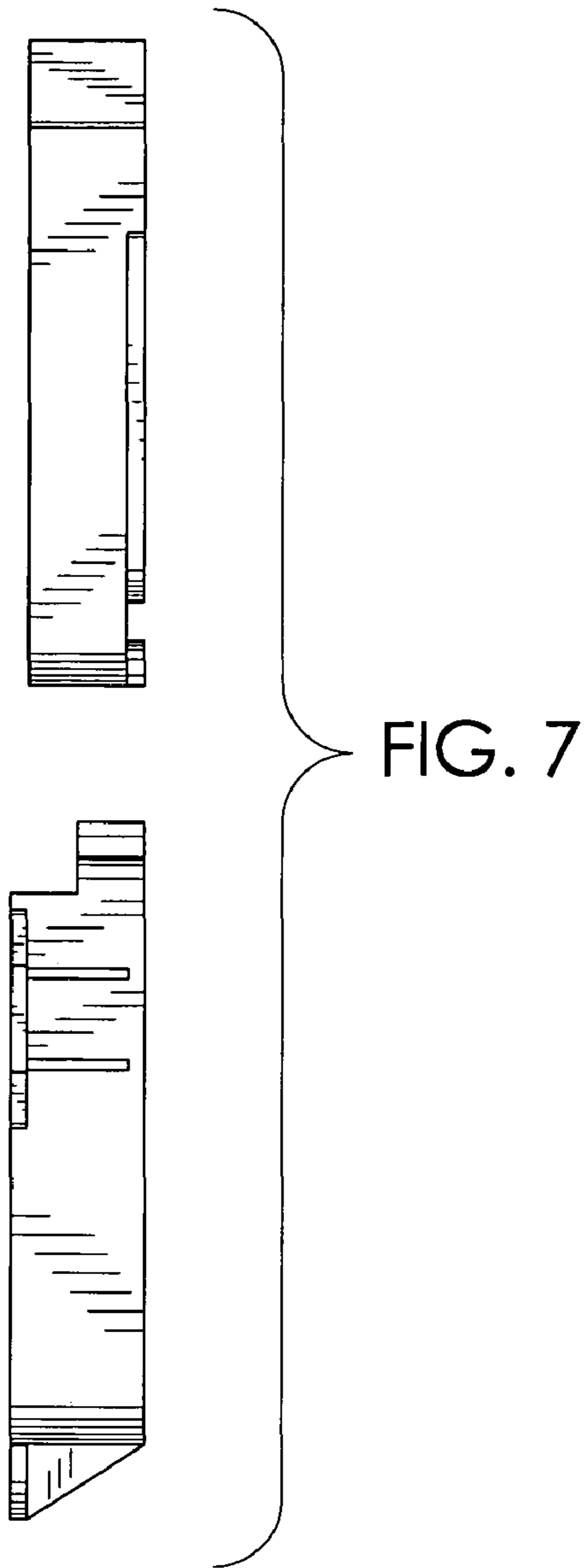


FIG. 4

FIG. 6





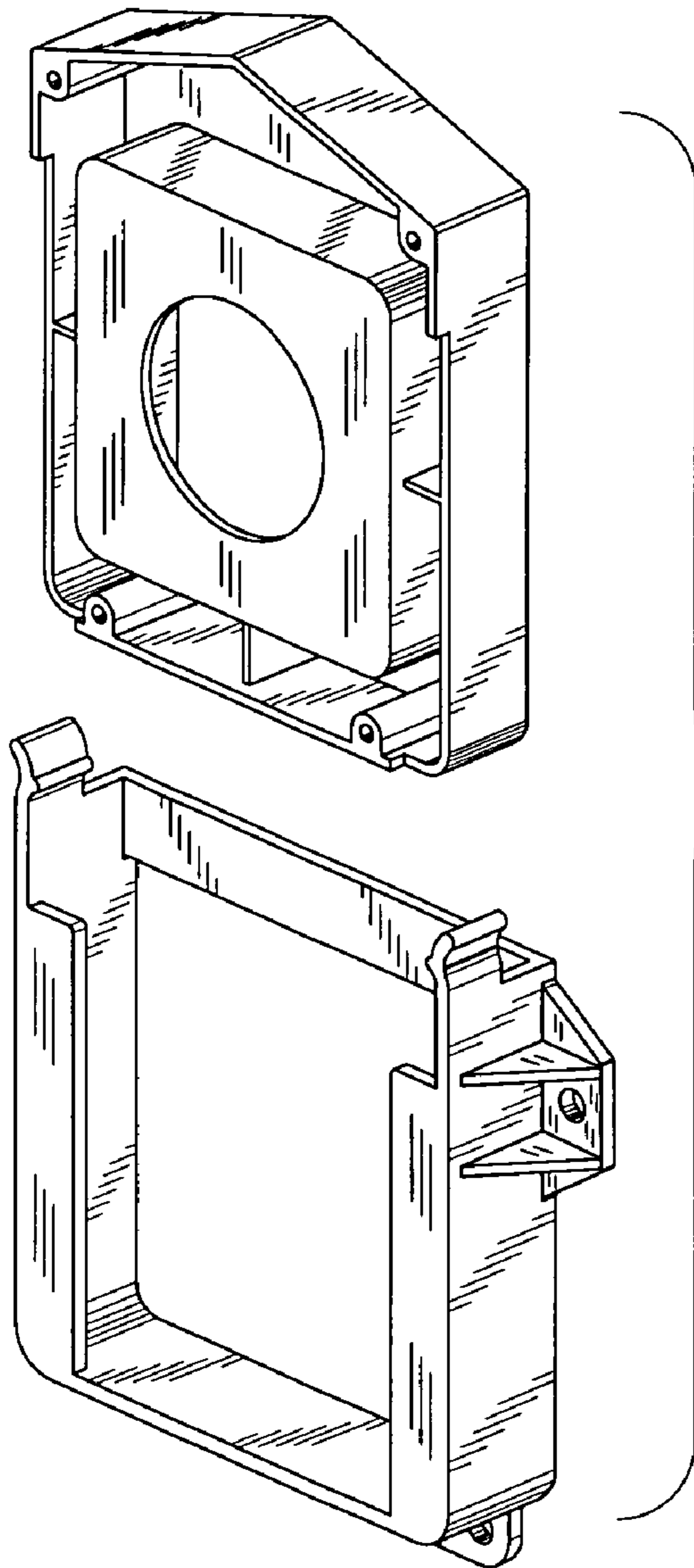


FIG. 11

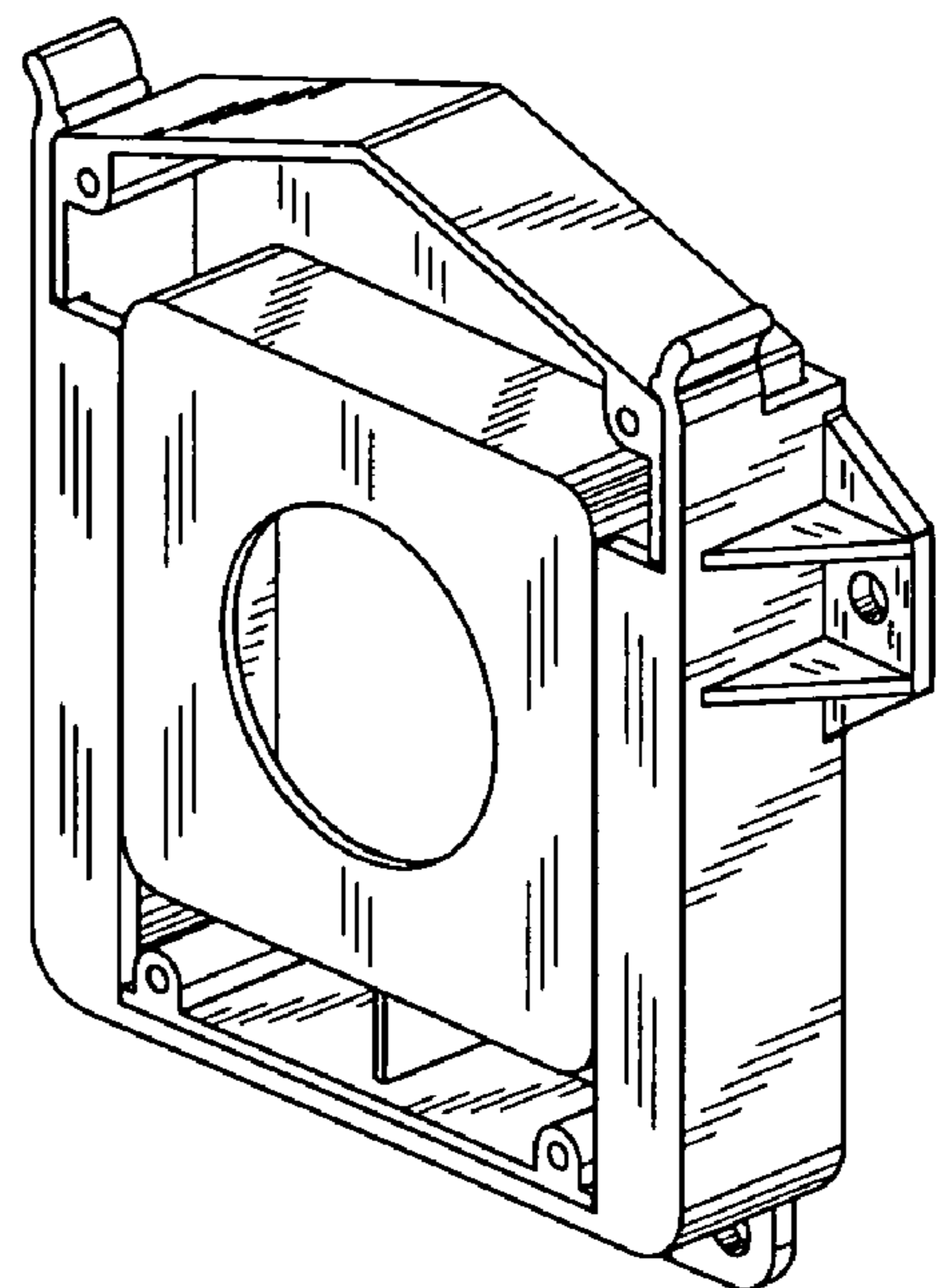


FIG. 12