



US00D616730S

(12) **United States Design Patent**  
**Dennes**

(10) **Patent No.:** **US D616,730 S**  
(45) **Date of Patent:** **\*\* \*Jun. 1, 2010**

(54) **DETACHABLE CABLE MANAGER**

(75) Inventor: **William Wayne Dennes**, Wyoming (AU)

(73) Assignee: **ADC GmbH**, Berlin (DE)

(\*\*) Term: **14 Years**

(21) Appl. No.: **29/280,445**

(22) Filed: **May 29, 2007**

(30) **Foreign Application Priority Data**

Nov. 30, 2006 (AU) ..... 15503/2006

(51) **LOC (9) Cl.** ..... **08-05**

(52) **U.S. Cl.** ..... **D8/356**

(58) **Field of Classification Search** ..... D8/105,  
D8/107, 333, 349, 354, 356, 358, 367, 373,  
D8/382, 383, 394-396, 400; D13/155, 184;  
D26/76; 24/18, 197, 561; 174/68.3, 101,  
174/153 G, 650, 656; 242/400.1, 405.1,  
242/405.2, 600, 603; 248/65, 74.1-74.4,  
248/201, 214, 215, 229.26, 302, 304, 316.7,  
248/316.8; 439/131, 135, 142, 367, 369,  
439/371, 472, 501, 535; 361/826

See application file for complete search history.

(56) **References Cited**

**U.S. PATENT DOCUMENTS**

- 3,491,971 A 1/1970 J.V. Fisher
- D243,655 S \* 3/1977 Matousek et al. .... D8/354
- D318,391 S \* 7/1991 Greenhut et al. .... D6/554
- 5,065,974 A 11/1991 Lapp
- 5,085,384 A 2/1992 Kasubke
- 5,145,137 A 9/1992 Choi
- 5,353,167 A 10/1994 Kuklo et al.
- 5,400,184 A 3/1995 Kuklo
- 5,407,263 A \* 4/1995 Jones et al. .... 312/265.1
- 5,743,497 A \* 4/1998 Michael ..... 248/68.1
- 5,782,440 A 7/1998 Ozga et al.
- D403,016 S \* 12/1998 Bedol et al. .... D19/32
- 5,911,602 A 6/1999 Vaden
- 6,053,457 A 4/2000 Ozga et al.

- D454,053 S \* 3/2002 Wong ..... D8/356
- 6,382,569 B1 5/2002 Schattner et al.
- 6,568,542 B1 \* 5/2003 Chen ..... 211/26
- 6,590,785 B1 7/2003 Lima et al.
- 6,597,577 B1 7/2003 Tang et al.
- 6,600,665 B2 \* 7/2003 Lauchner ..... 361/826

(Continued)

**FOREIGN PATENT DOCUMENTS**

AU 708833 2/1998

(Continued)

**OTHER PUBLICATIONS**

Wiring Tutorial for 10BaseT Unshielded Twisted Pair (UTP). <http://www.netspec.com/helpdesk/wiredoc.html>. Jul. 26, 2007.

(Continued)

*Primary Examiner*—Robert M Spear  
*Assistant Examiner*—Karen Acker  
(74) *Attorney, Agent, or Firm*—Merchant & Gould P.C.

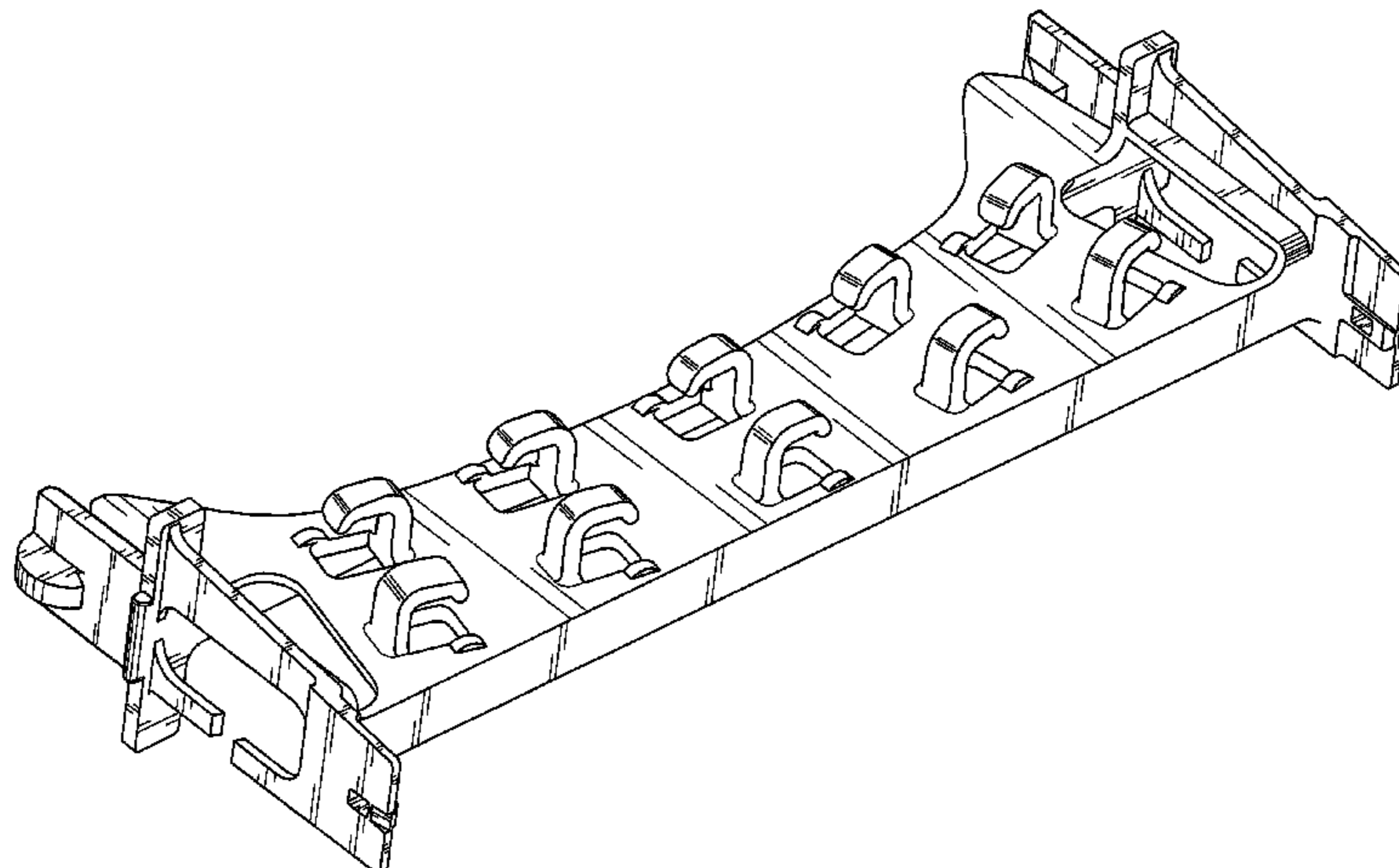
(57) **CLAIM**

The ornamental design for the detachable cable manager, as shown and described.

**DESCRIPTION**

FIG. 1 is a top plan view of a detachable cable manager showing my design;  
FIG. 2 is a left side elevational view thereof;  
FIG. 3 is a right side elevational view thereof;  
FIG. 4 is a front elevational view thereof;  
FIG. 5 is a bottom plan view thereof;  
FIG. 6 is a rear elevational view thereof; and,  
FIG. 7 is a perspective view thereof.  
The broken line in FIG. 5 is included to illustrate an unclaimed detail and forms no part of the claimed design.

**1 Claim, 6 Drawing Sheets**



U.S. PATENT DOCUMENTS

6,661,651 B1 12/2003 Tanzer et al.  
 6,674,144 B1 1/2004 Essaian  
 6,811,039 B2 \* 11/2004 Chen et al. .... 211/26  
 6,826,056 B2 11/2004 Tsuyuki et al.  
 D502,388 S \* 3/2005 Cortez et al. .... D8/356  
 D508,394 S \* 8/2005 Moffatt et al. .... D8/356  
 6,945,504 B2 \* 9/2005 Chen et al. .... 248/282.1  
 6,946,605 B2 9/2005 Levesque et al.  
 7,077,688 B2 7/2006 Peng  
 D560,474 S \* 1/2008 Thru ..... D8/382  
 7,317,623 B2 \* 1/2008 Nguyen et al. .... 361/826  
 7,336,484 B2 \* 2/2008 McAnally et al. .... 361/686  
 7,391,625 B2 \* 6/2008 Mendoza ..... 361/826  
 2001/0031124 A1 10/2001 McGrath et al.  
 2001/0038674 A1 11/2001 Trans  
 2002/0050394 A1 5/2002 Clark et al.  
 2002/0206402 11/2002 Tsuyuki et al.  
 2002/0181633 A1 12/2002 Trans  
 2003/0051892 A1 3/2003 Mattei et al.  
 2003/0111241 A1 6/2003 Bahlmann et al.  
 2003/0137925 A1 7/2003 Zamir  
 2003/0186591 A1 10/2003 Jensen et al.  
 2003/0217863 A1 11/2003 Clark et al.  
 2004/0026113 A1 2/2004 Bahlmann et al.  
 2004/0035603 A1 2/2004 Clark et al.  
 2004/0049321 A1 3/2004 Lehr et al.  
 2005/0006132 A1 1/2005 Clark  
 2005/0014420 A1 1/2005 Quenneville et al.  
 2005/0029007 A1 2/2005 Nordin et al.  
 2005/0052988 A1 3/2005 Tsatsanis et al.  
 2005/0053097 A1 3/2005 Djokovic et al.  
 2005/0053229 A1 3/2005 Tsatsanis et al.  
 2005/0087361 A1 4/2005 Hayes et al.  
 2005/0092514 A1 5/2005 Kenny et al.  
 2005/0092515 A1 5/2005 Kenny et al.  
 2005/0106948 A1 5/2005 Peng  
 2005/0115736 A1 6/2005 Levesque et al.  
 2005/0129218 A1 6/2005 Kimble et al.  
 2005/0133246 A1 6/2005 Parke et al.  
 2005/0142932 A1 6/2005 Levesque et al.  
 2005/0167151 A1 8/2005 Kenny et al.  
 2005/0169243 A1 8/2005 Lehr et al.  
 2005/0169297 A1 8/2005 Lehr et al.  
 2005/0186838 A1 8/2005 Debenedictis et al.  
 2005/0186844 A1 8/2005 Hammond, Jr. et al.  
 2005/0197005 A1 9/2005 Bentley  
 2005/0199415 A1 9/2005 Glew

2005/0205289 A1 9/2005 Kenny et al.  
 2005/0207561 A1 9/2005 Hammond, Jr.  
 2005/0221677 A1 10/2005 Hammond, Jr. et al.  
 2005/0221678 A1 10/2005 Hammond, Jr.  
 2005/0239338 A1 10/2005 Hashim  
 2005/0247479 A1 11/2005 Kenny et al.  
 2005/0263316 A1 12/2005 Matsumoto  
 2005/0265013 A1 12/2005 Keith et al.  
 2005/0269125 A1 12/2005 Clark  
 2005/0279528 A1 12/2005 Kenny et al.  
 2006/0021772 A1 2/2006 Dellagala et al.  
 2006/0032660 A1 2/2006 Parke et al.  
 2007/0175835 A1 \* 8/2007 Liang ..... 211/26  
 2007/0251893 A1 \* 11/2007 Huang ..... 211/26  
 2008/0045076 A1 \* 2/2008 Dittmann et al. .... 439/495  
 2008/0130261 A1 \* 6/2008 Dennes ..... 361/826  
 2008/0130262 A1 6/2008 Rinderer et al.  
 2008/0135692 A1 \* 6/2008 Herring et al. .... 248/74.3

FOREIGN PATENT DOCUMENTS

FR EC-000234166-0001 \* 10/2004

OTHER PUBLICATIONS

Wiring Tutorial for 10BaseT Unshielded Twisted Pair (UTP). From [www.web.archive.org](http://www.web.archive.org). Nov. 17, 2006.  
 A Little Theory. <http://www.duxcw.com/digest/Howto/network/cable/cable4.htm>. Jul. 26, 2007.  
 A Little Theory. From [www.web.archive.org](http://www.web.archive.org). Oct. 29, 2006.  
 Alien Crosstalk—a Whatis.com definition. [http://searchdatacenter.techtarget.com/sDefinition/0,290660,sid80\\_gci1084723,00.html](http://searchdatacenter.techtarget.com/sDefinition/0,290660,sid80_gci1084723,00.html). Jul. 26, 2007.  
 Alien Crosstalk—a Whatis.com definition. From [www.web.archive.org](http://www.web.archive.org). Nov. 29, 2004.  
 Powersum Alien Crosstalk: The Truth is Out There. <http://www.belden.com/pdfs/Techpprs/pwrsumtp.htm>. Jul. 26, 2007.  
 Powersum Alien Crosstalk: The Truth is Out There. From [www.web.archive.org](http://www.web.archive.org). Nov. 29, 2004, archive date : Dec. 29, 2005.  
 Installation Effects Upon Alien Crosstalk and Equal Level Far End Crosstalk. <http://www.belden.com/pdfs/Techpprs/ieacectp.htm>. Jul. 26, 2007.  
 Installation Effects Upon Alien Crosstalk and Equal Level Far End Crosstalk. From [www.web.archive.org](http://www.web.archive.org). Oct. 31, 2006.  
 Twisted pair—Wikipedia. [http://en.wikipedia.org/wiki/Twisted\\_pair](http://en.wikipedia.org/wiki/Twisted_pair). Jul. 26, 2007.  
 U.S. Appl. No. 11/754,567, no corresponding document.  
 Twisted pair—Wikipedia. From [www.web.archive.org](http://www.web.archive.org). dated Nov. 27, 2006.

\* cited by examiner

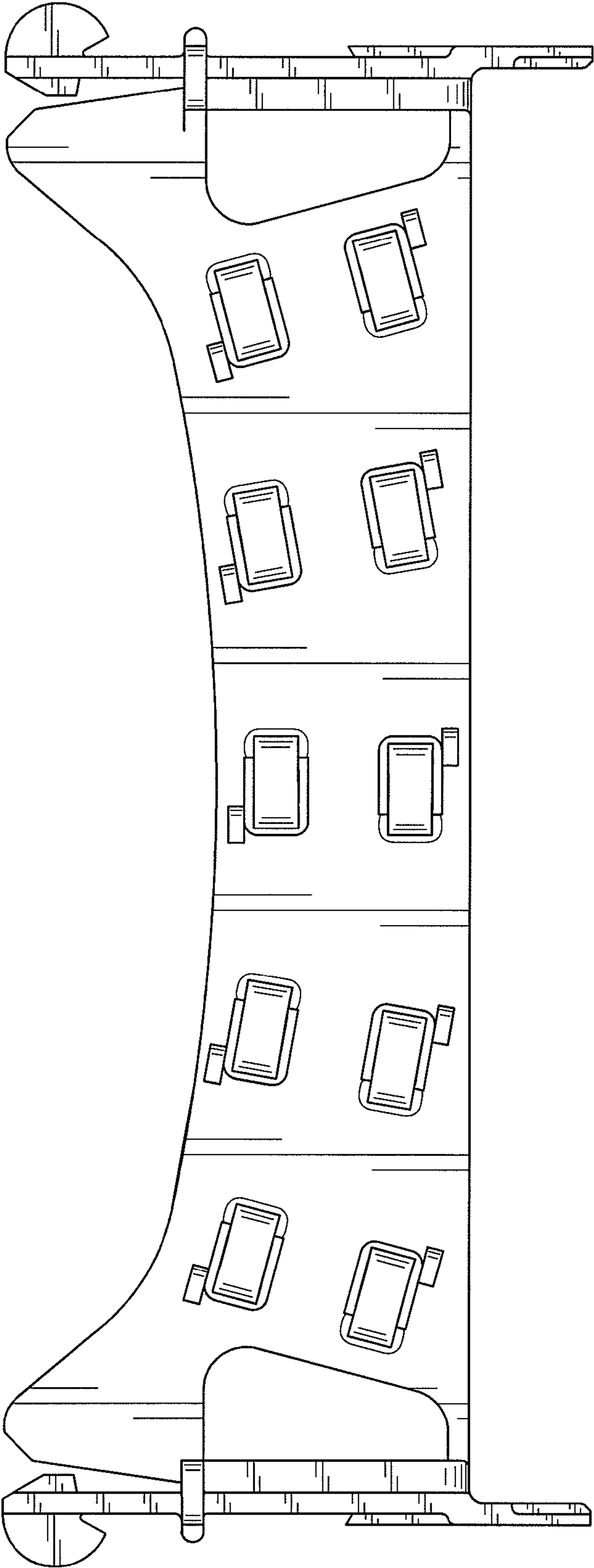


FIG. 1



FIG. 2

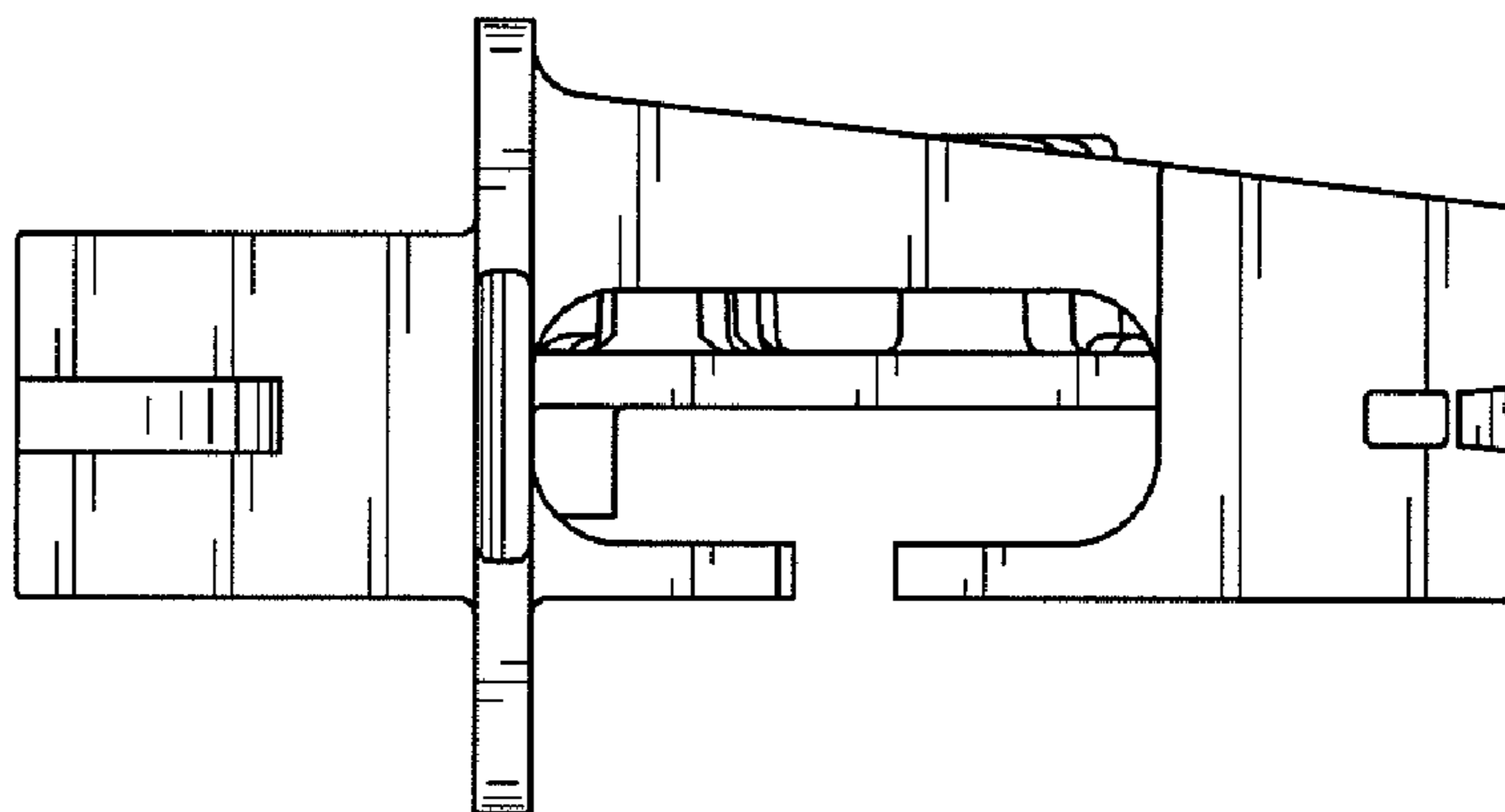
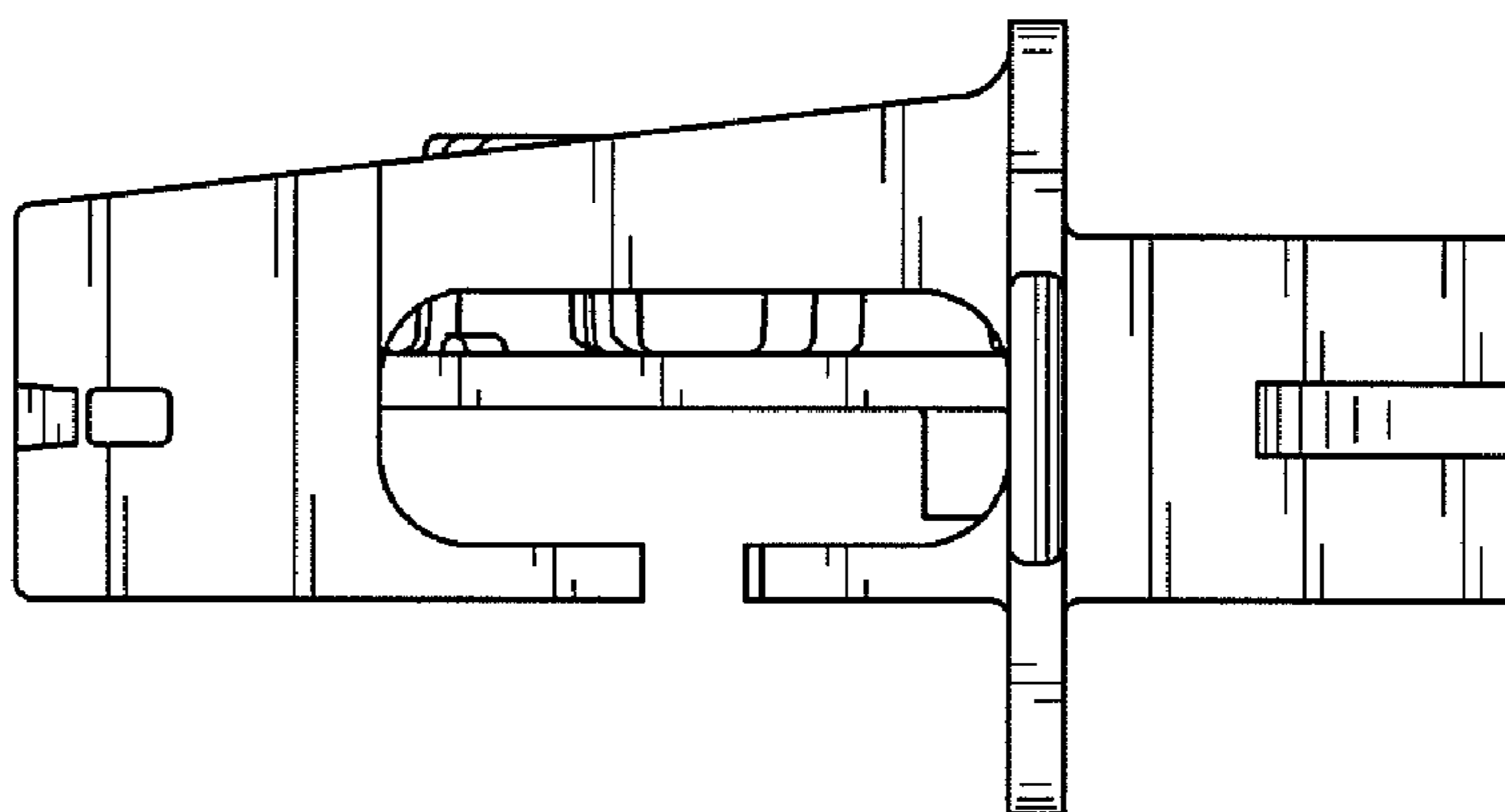


FIG. 3



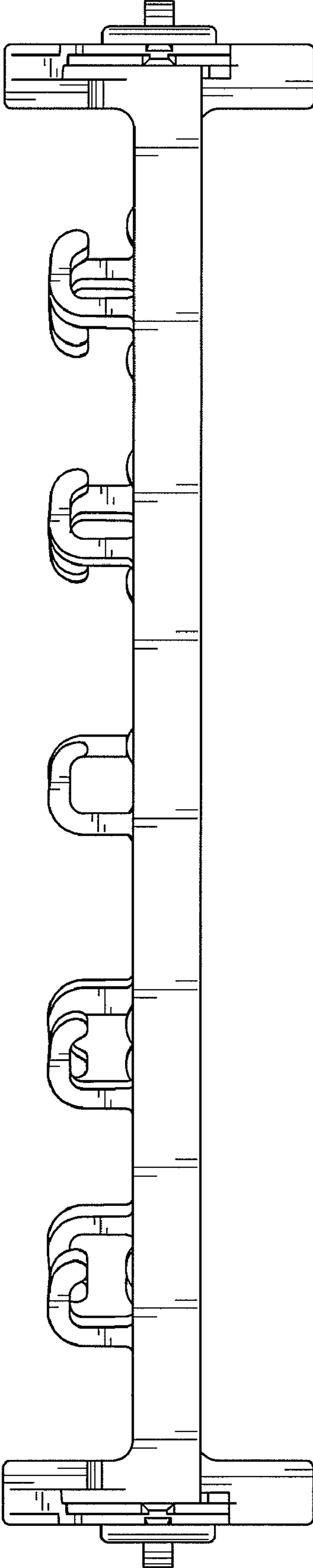
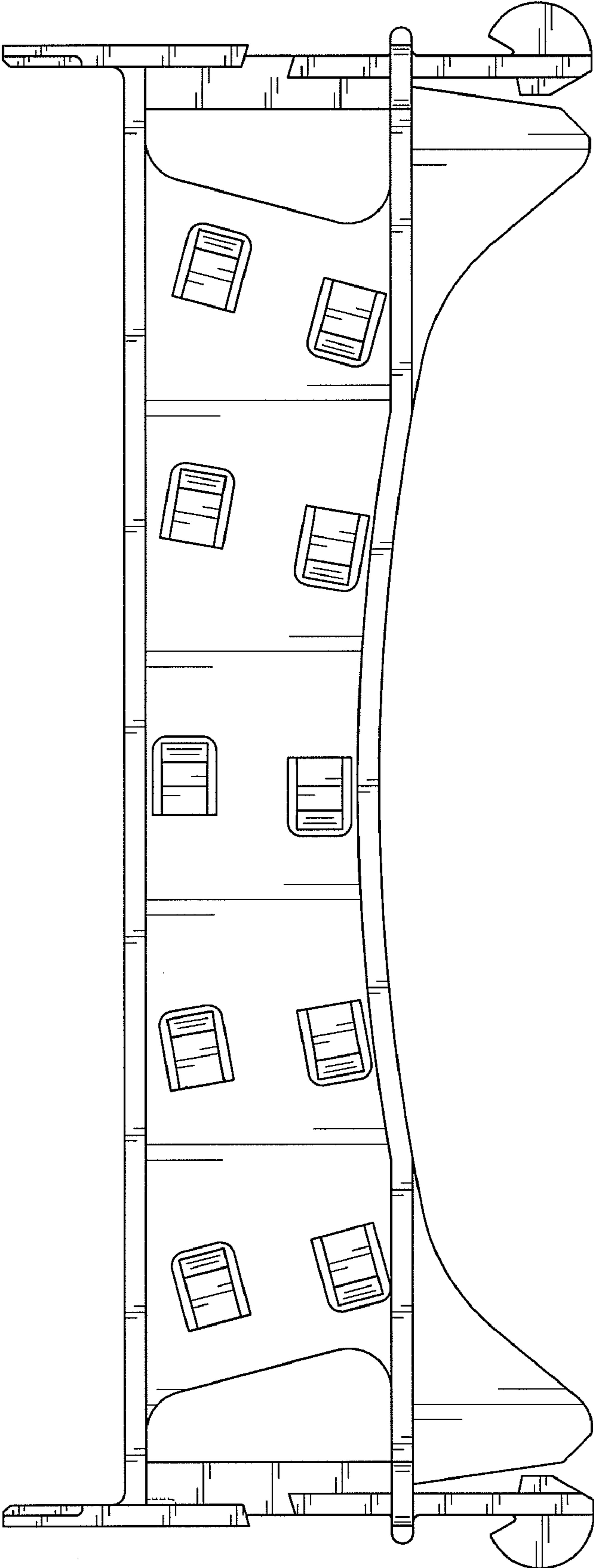


FIG. 4

FIG. 5



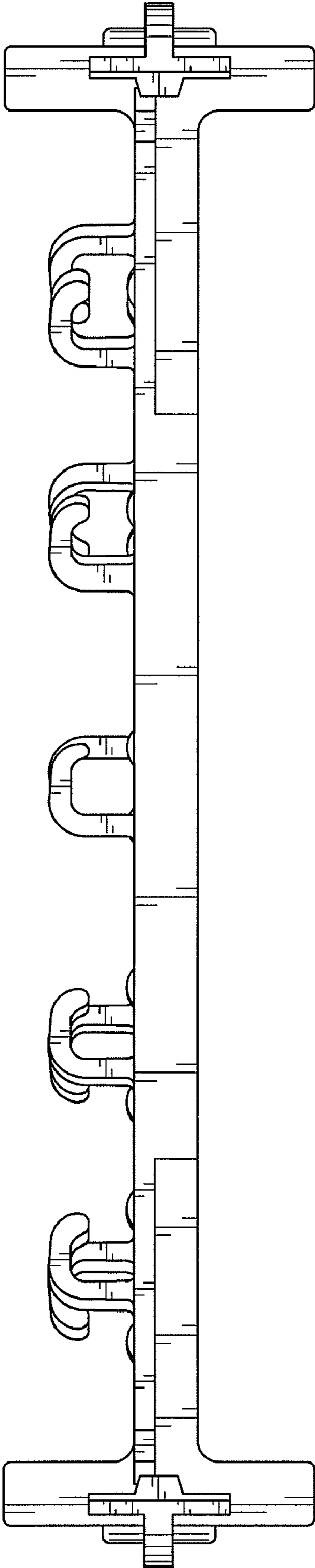


FIG. 6

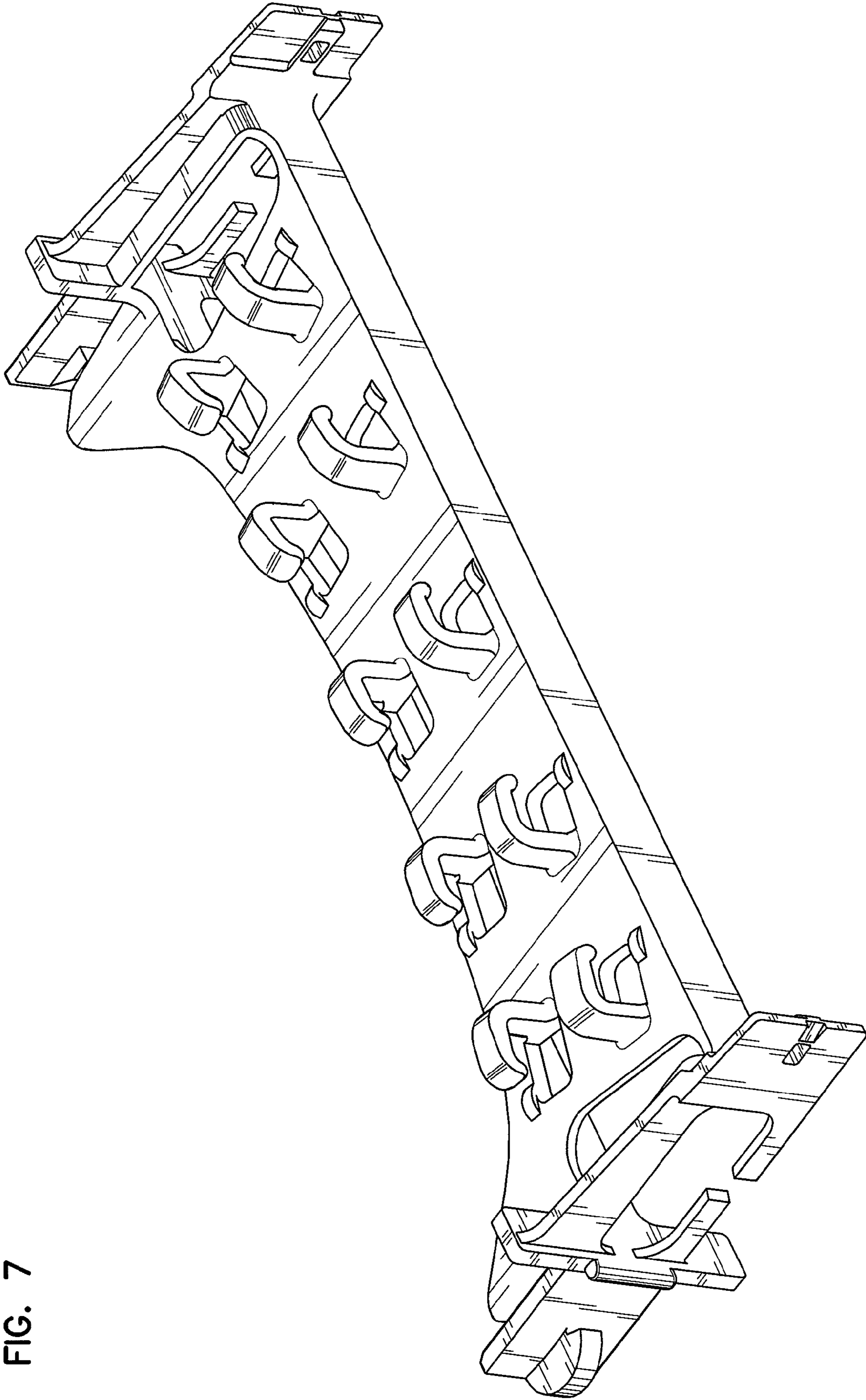


FIG. 7