



US00D616729S

(12) **United States Design Patent**
Anderson et al.

(10) **Patent No.:** **US D616,729 S**
(45) **Date of Patent:** **** Jun. 1, 2010**

(54) **SEMI-ADJUSTABLE SUPPORT STAND FOR HOLDING DISPLAY ITEMS**

D388,313 S * 12/1997 Benner et al. D8/354

(76) Inventors: **Marie L. Anderson**, 339 Lupe Ave.,
Newbury Park, CA (US) 91320; **Edward W. Holland**, 339 Lupe Ave., Newbury
Park, CA (US) 91320

* cited by examiner

Primary Examiner—Holly H Baynham

(74) *Attorney, Agent, or Firm*—Lyon & Harr, LLP; Mark A. Watson

(**) Term: **14 Years**

(21) Appl. No.: **29/225,166**

(57) **CLAIM**

(22) Filed: **Mar. 10, 2005**

The ornamental design for a semi-adjustable support stand for holding display items, as shown.

Related U.S. Application Data

(63) Continuation-in-part of application No. 08/992,504,
filed on Dec. 17, 1997, now Pat. No. 7,040,583.

DESCRIPTION

(51) **LOC (9) Cl.** **08-05**

(52) **U.S. Cl.** **D8/355**

(58) **Field of Classification Search** D8/354,
D8/355; 248/300, 676, 670

See application file for complete search history.

FIG. 1 is a right perspective view of a semi-adjustable support stand for holding display items showing our new design;

FIG. 2 is a left perspective view thereof;

FIG. 3 is a right front view thereof; and,

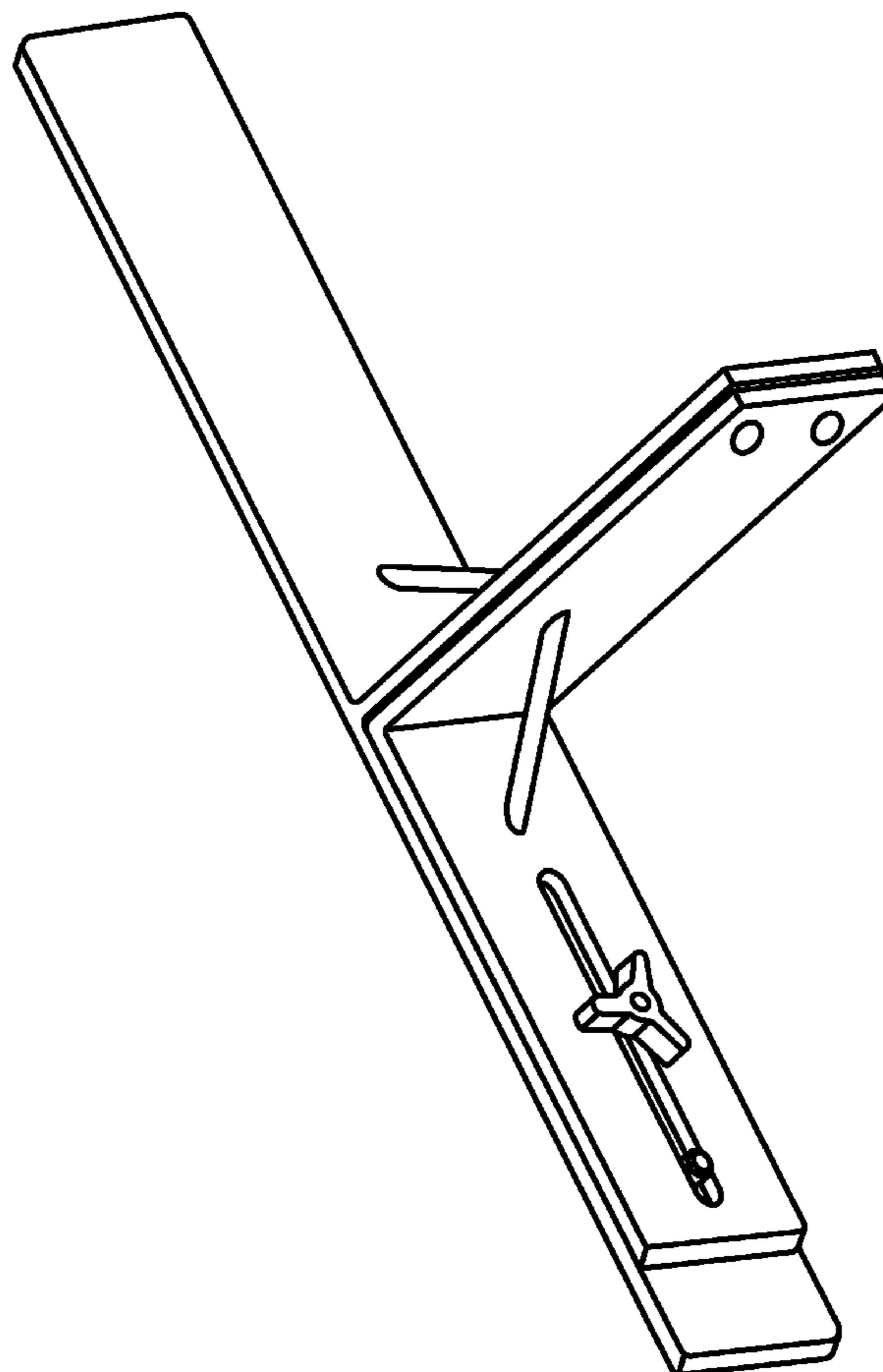
FIG. 4 is a left front view thereof.

(56) **References Cited**

U.S. PATENT DOCUMENTS

D378,986 S * 4/1997 Darula D8/354

1 Claim, 3 Drawing Sheets



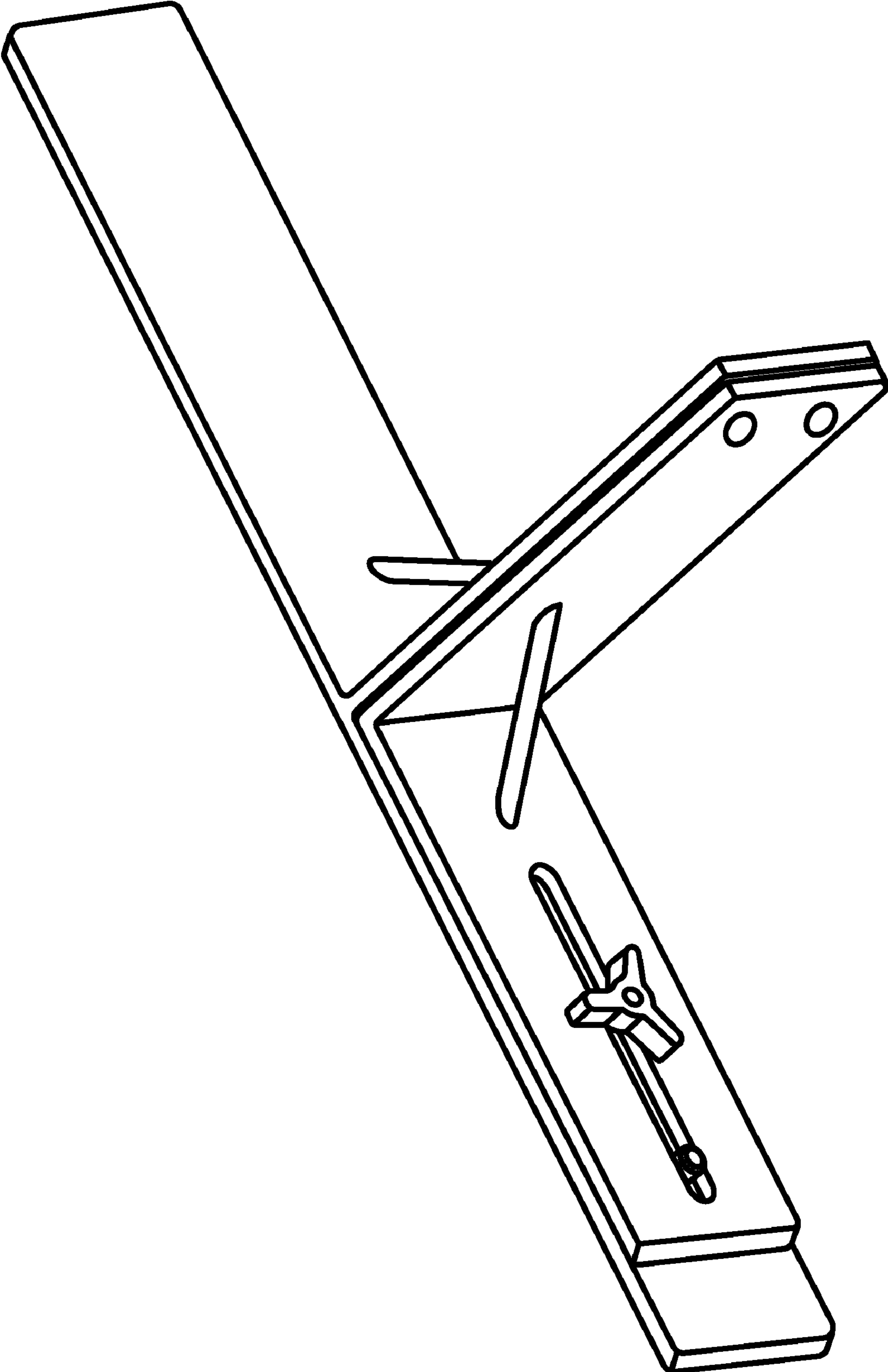


FIG. 1

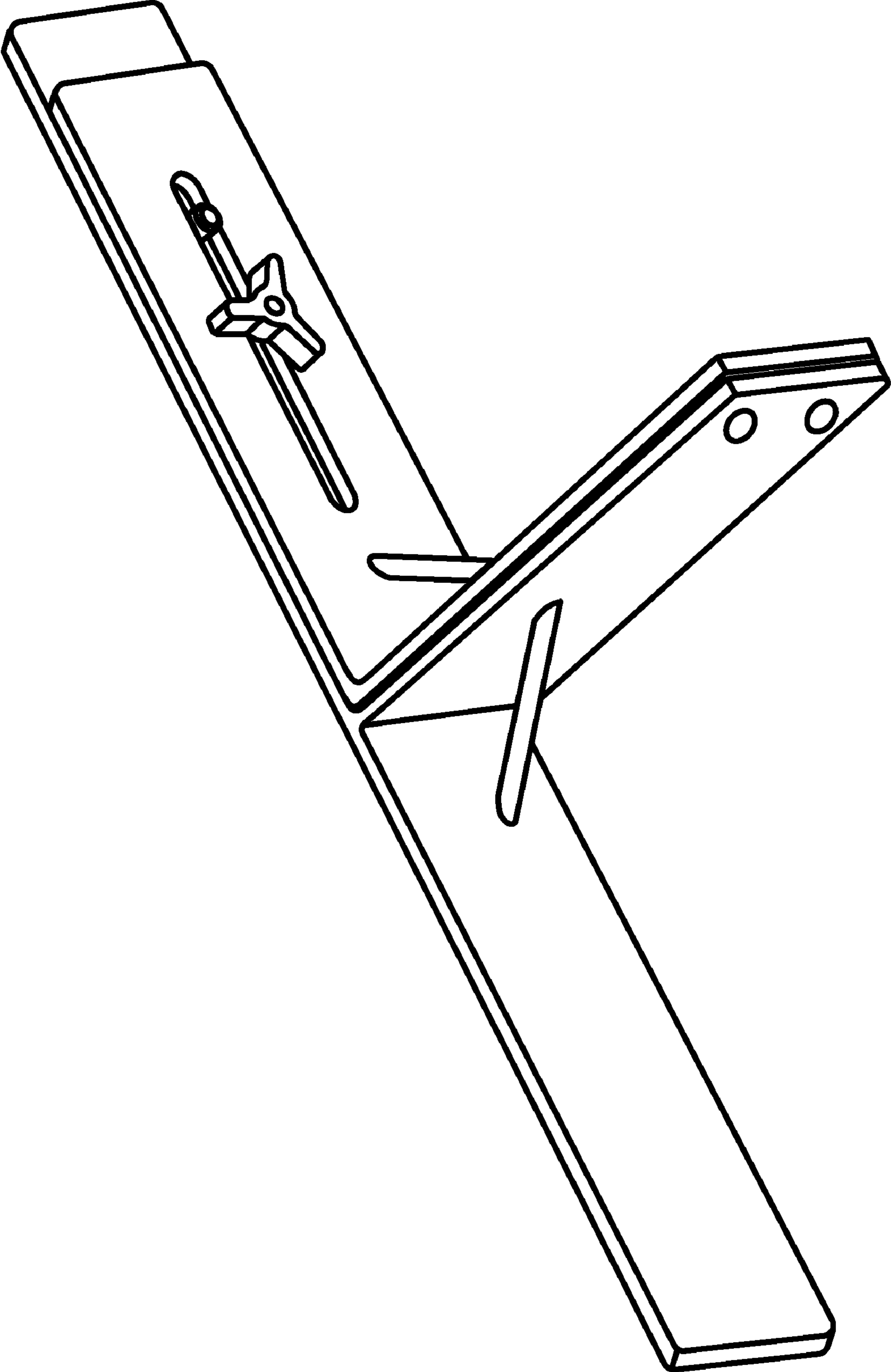


FIG. 2

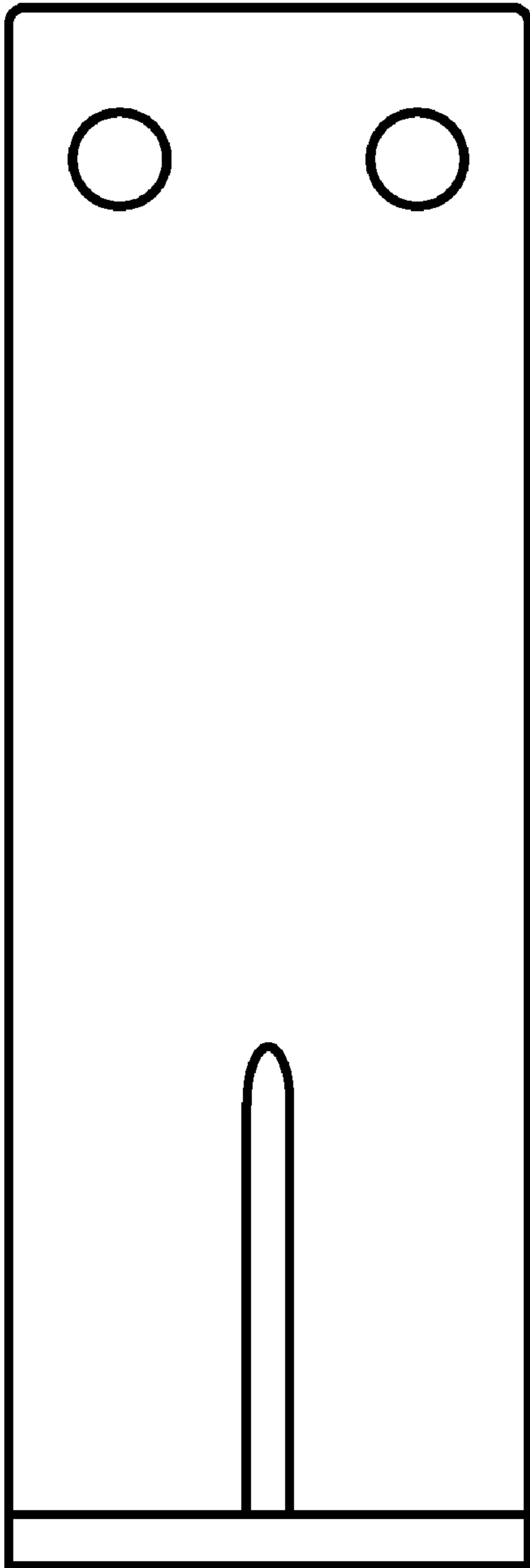


FIG. 3

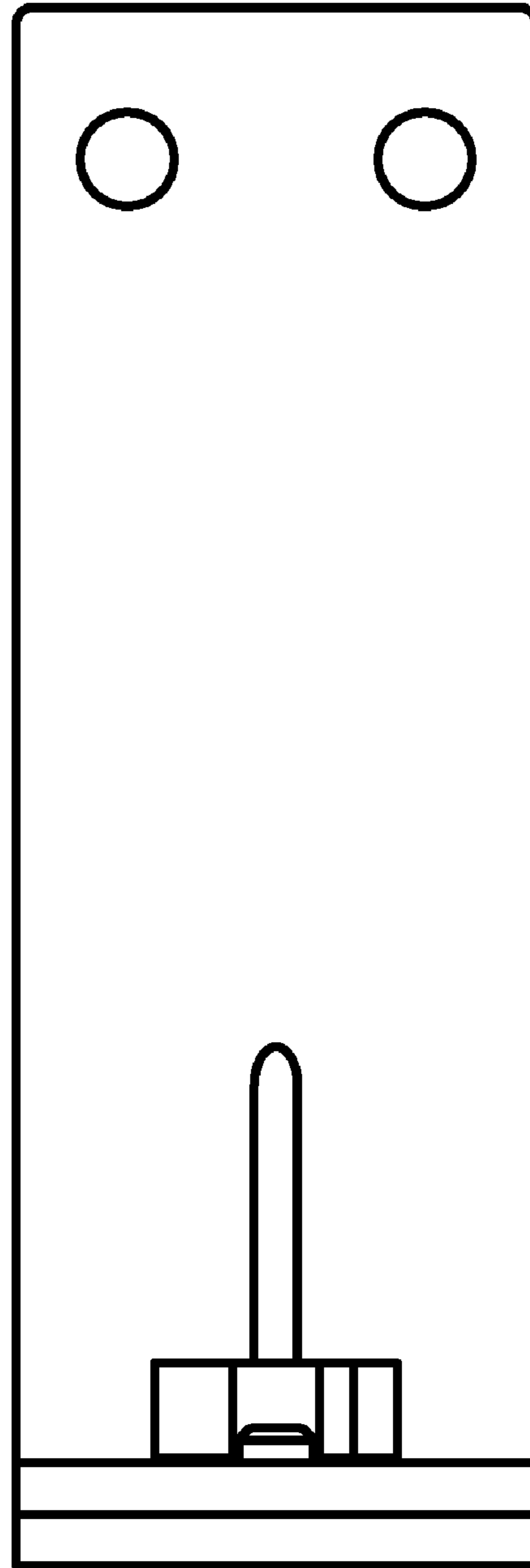


FIG. 4