



US00D616727S

(12) **United States Design Patent**
Chou

(10) **Patent No.:** **US D616,727 S**
(45) **Date of Patent:** **** Jun. 1, 2010**

(54) **REVERSING CAMERA MOUNTING BRACKET**

(75) Inventor: **Rong-Her Chou, Yu-Lin Hsien (TW)**

(73) Assignee: **Tech-Cast Mfg Corp., Yu-Lin Hsien (TW)**

(**) Term: **14 Years**

(21) Appl. No.: **29/332,601**

(22) Filed: **Feb. 20, 2009**

(51) **LOC (9) Cl.** **08-05**

(52) **U.S. Cl.** **D8/354**

(58) **Field of Classification Search** D8/349,
D8/354; 248/300, 220.1, 205.1, 274.1, 316.8;
D16/242

See application file for complete search history.

(56) **References Cited**

U.S. PATENT DOCUMENTS

D343,786 S *	2/1994	Hines et al.	D8/373
D556,546 S *	12/2007	Swanson et al.	D8/354
D557,117 S *	12/2007	Cannaverde	D8/354
D560,113 S *	1/2008	McPherson	D8/354
D561,561 S *	2/2008	Wohlford et al.	D8/354
D569,891 S *	5/2008	Dittmer et al.	D16/235
D570,394 S *	6/2008	Dittmer et al.	D16/235

D570,894 S * 6/2008 Dittmer et al. D16/235

* cited by examiner

Primary Examiner—Holly H Baynham

(74) *Attorney, Agent, or Firm*—WPAT, PC; Justin King

(57) **CLAIM**

The ornamental design for a reversing camera mounting bracket, as shown and described.

DESCRIPTION

FIG. 1 is a perspective view of a reversing camera mounting bracket showing my new design;

FIG. 2 is a front view thereof;

FIG. 3 is a rear view thereof;

FIG. 4 is a left side view thereof;

FIG. 5 is a right side view thereof;

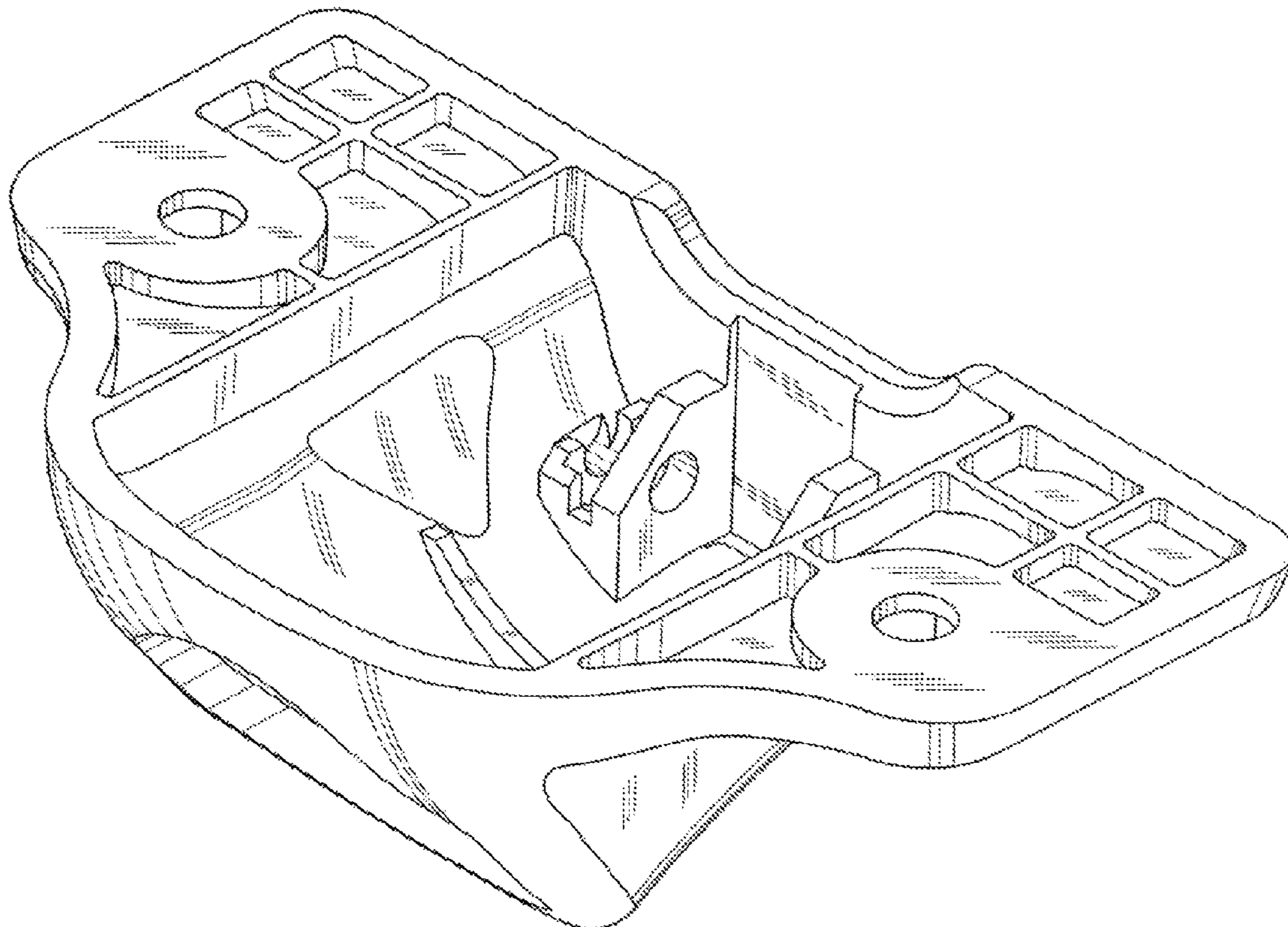
FIG. 6 is a top view thereof;

FIG. 7 is a bottom view thereof; and,

FIG. 8 shows the reversing camera mounting bracket of my design with a camera mounted thereon.

The broken line showing of a camera and partial cord is included for the purpose of illustrating environment and forms no part of the claimed design.

1 Claim, 8 Drawing Sheets



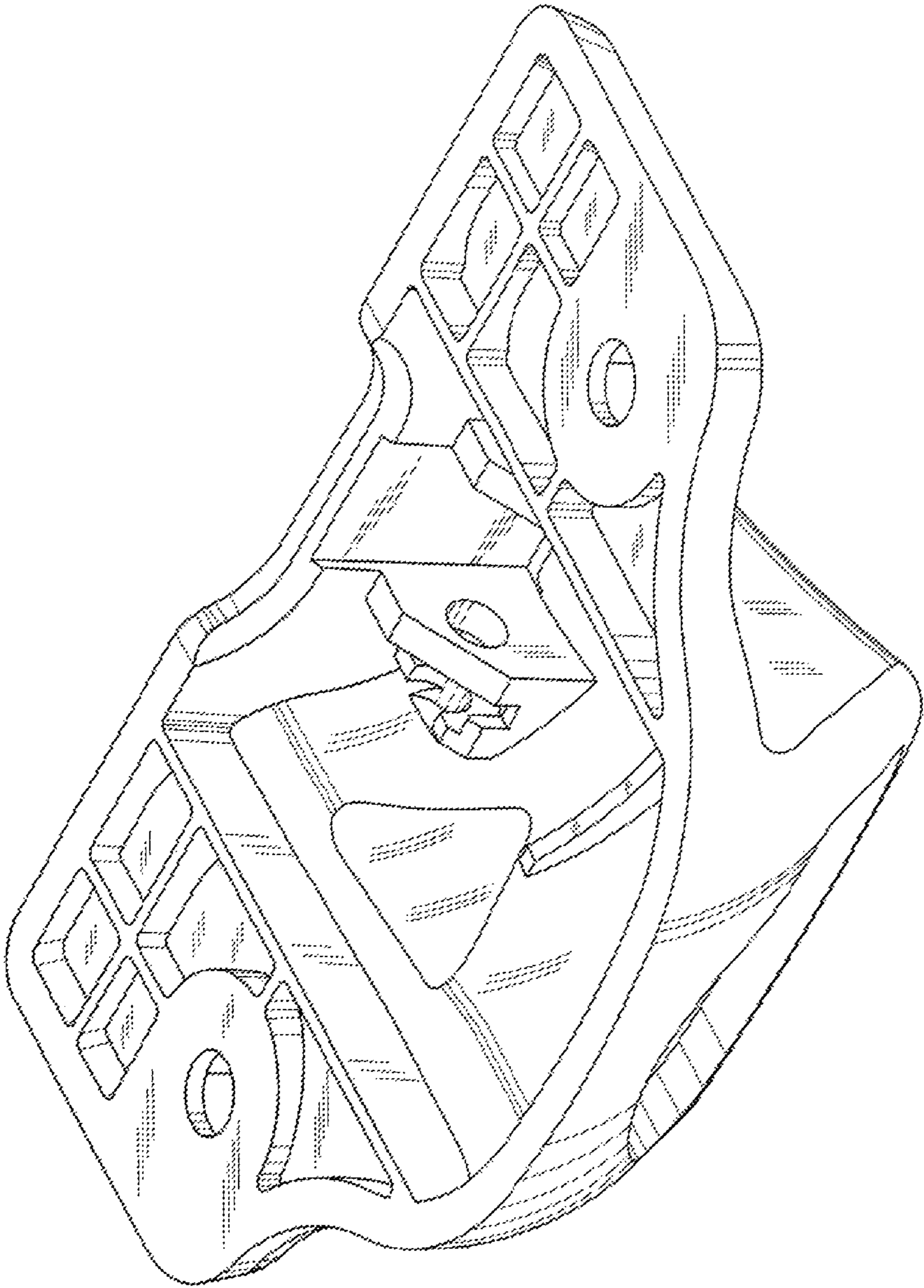


FIG. 1

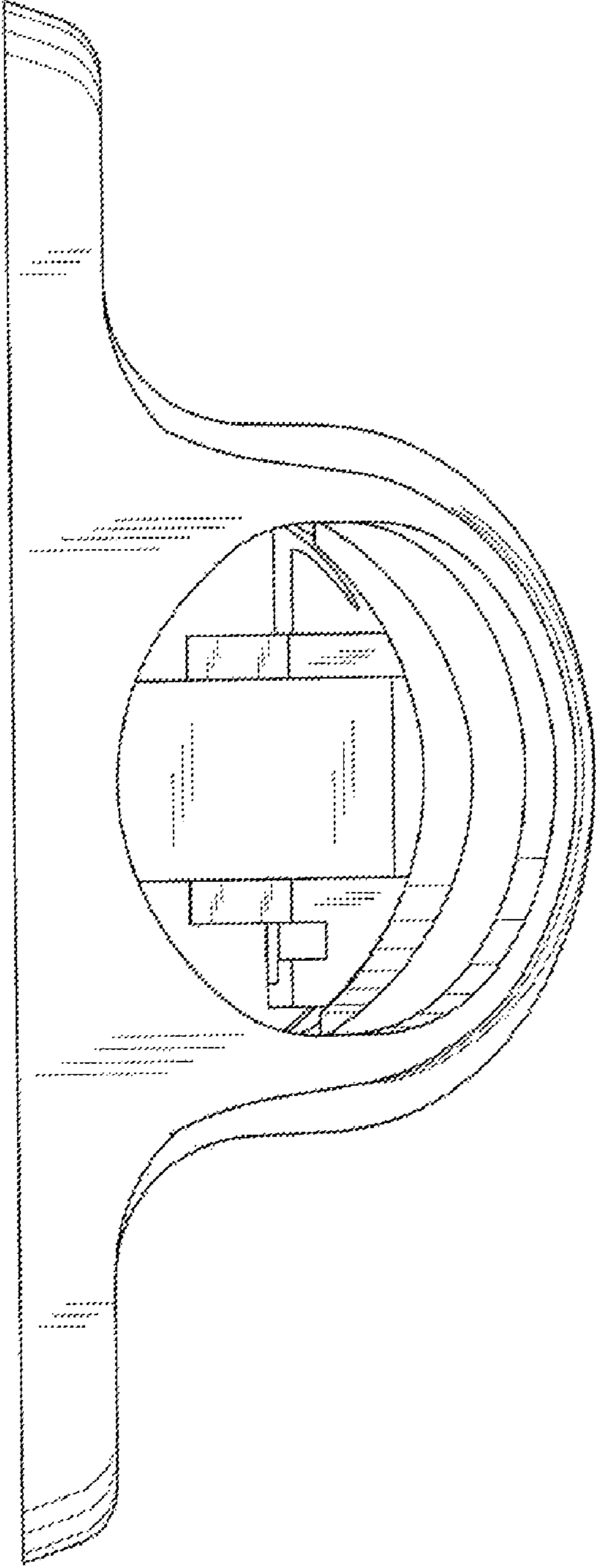


FIG. 2

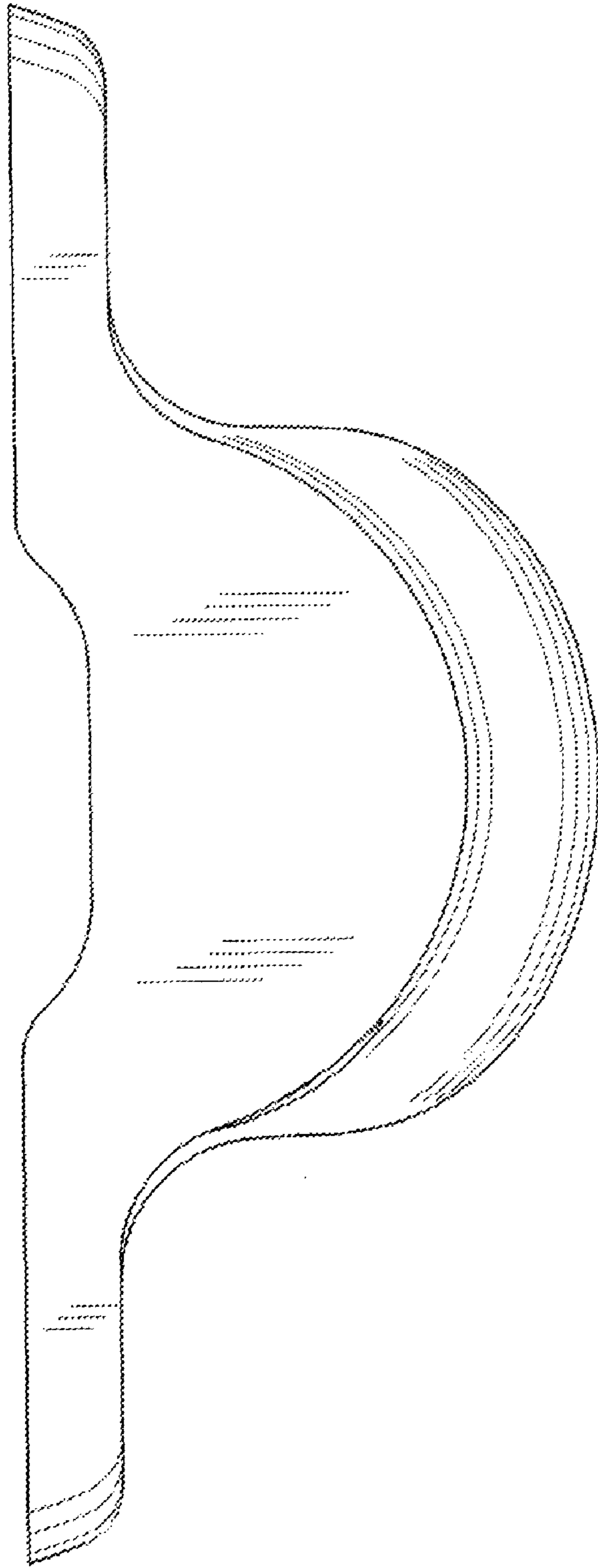


FIG. 3

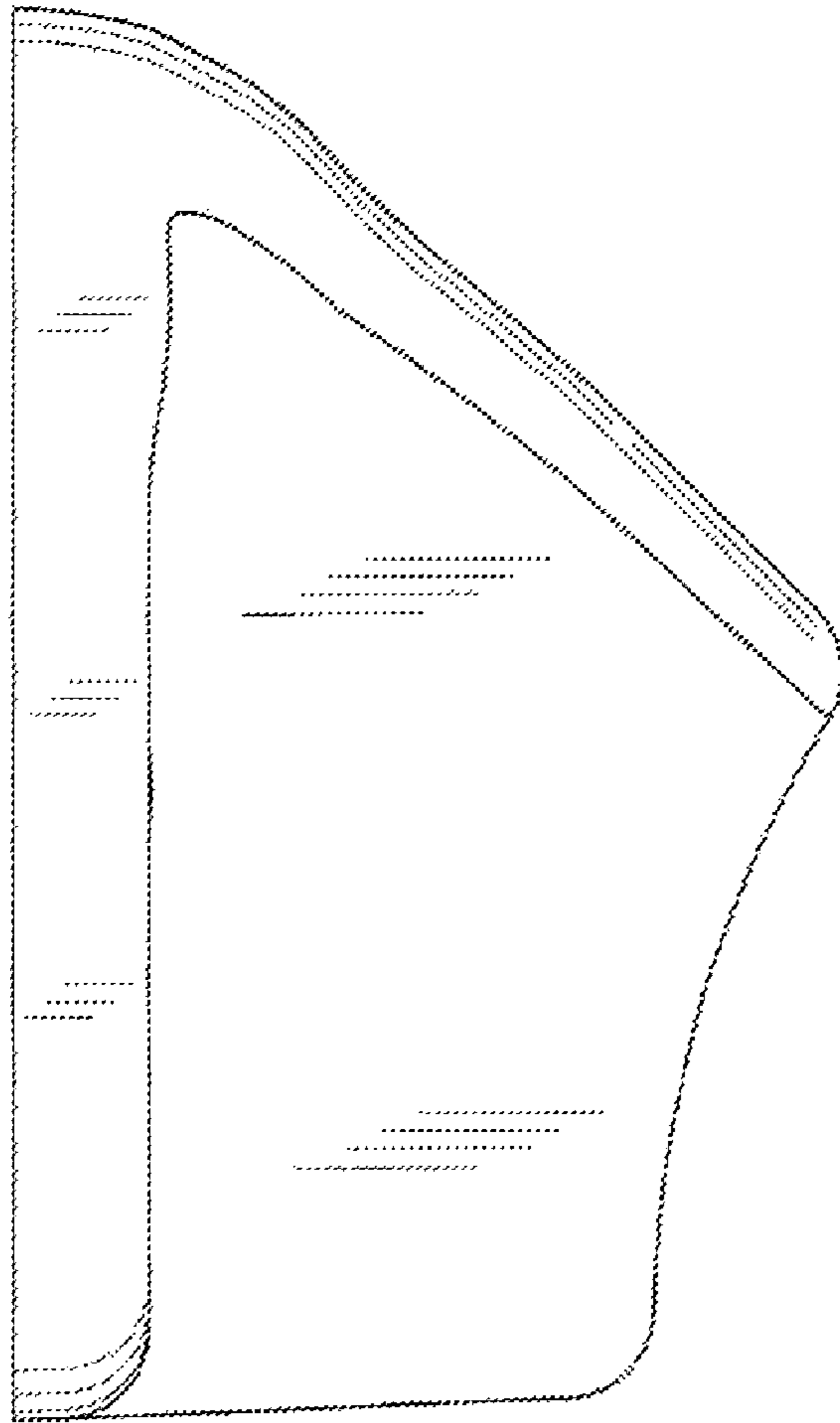


FIG. 4

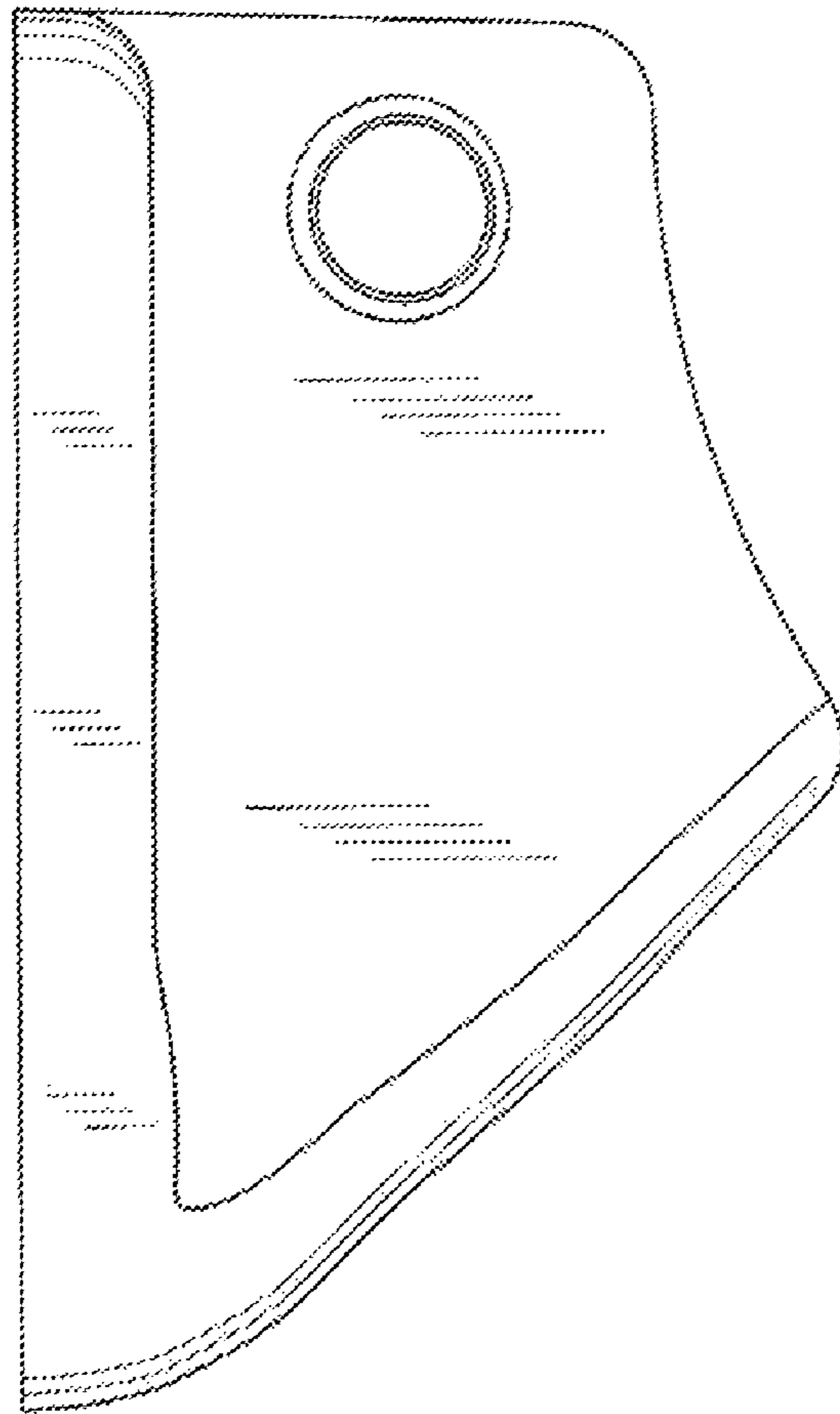


FIG. 5

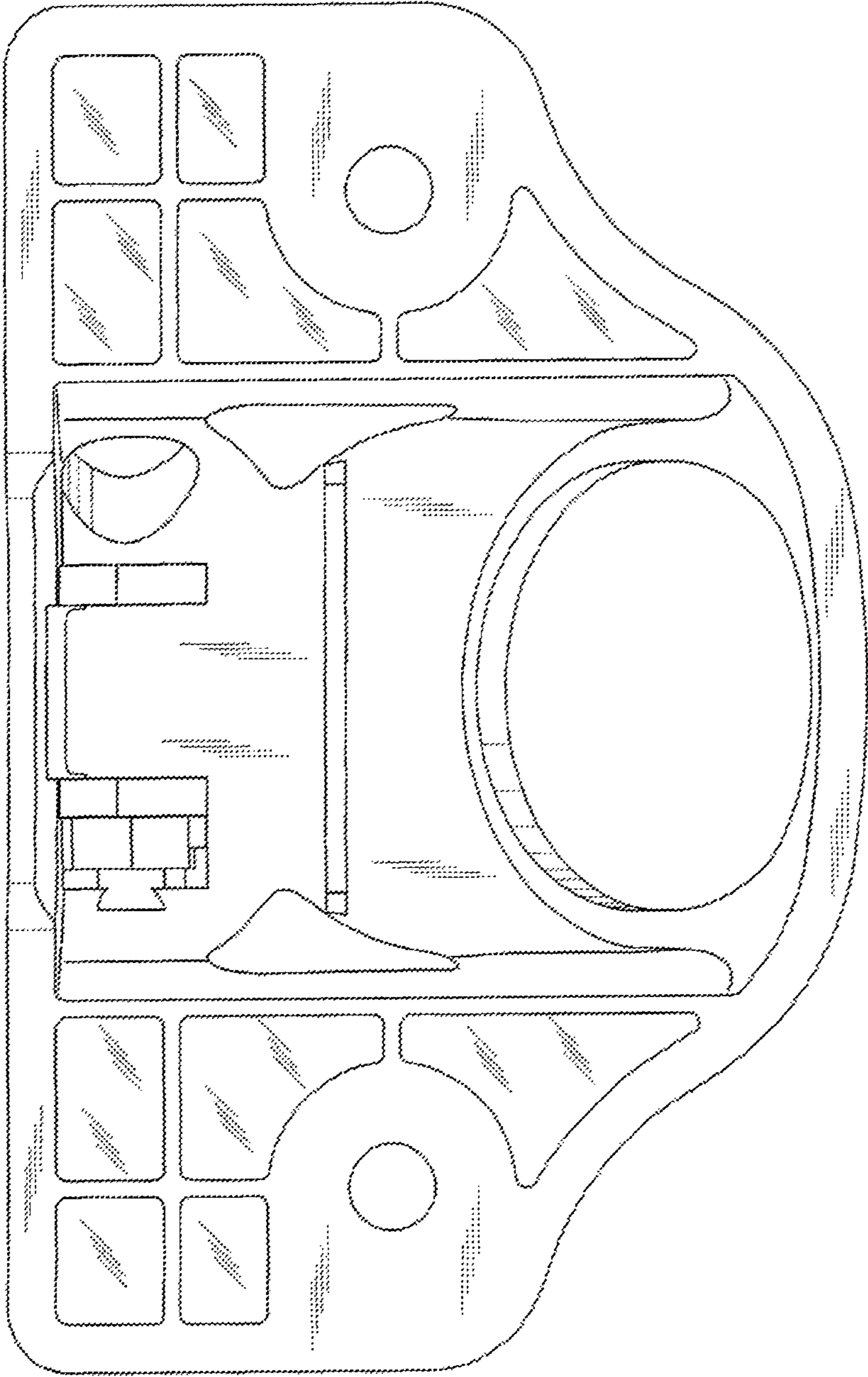


FIG. 6

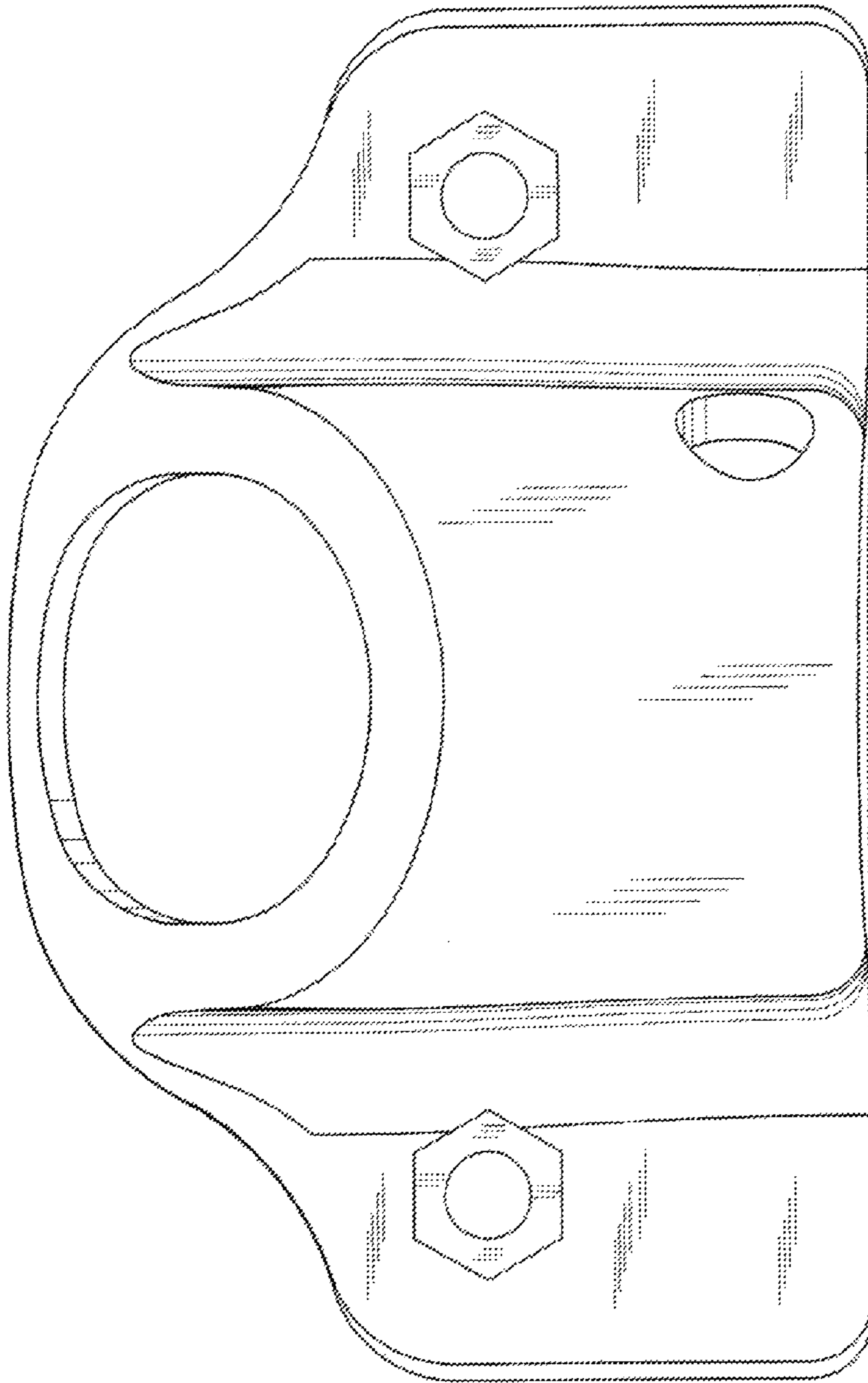


FIG. 7

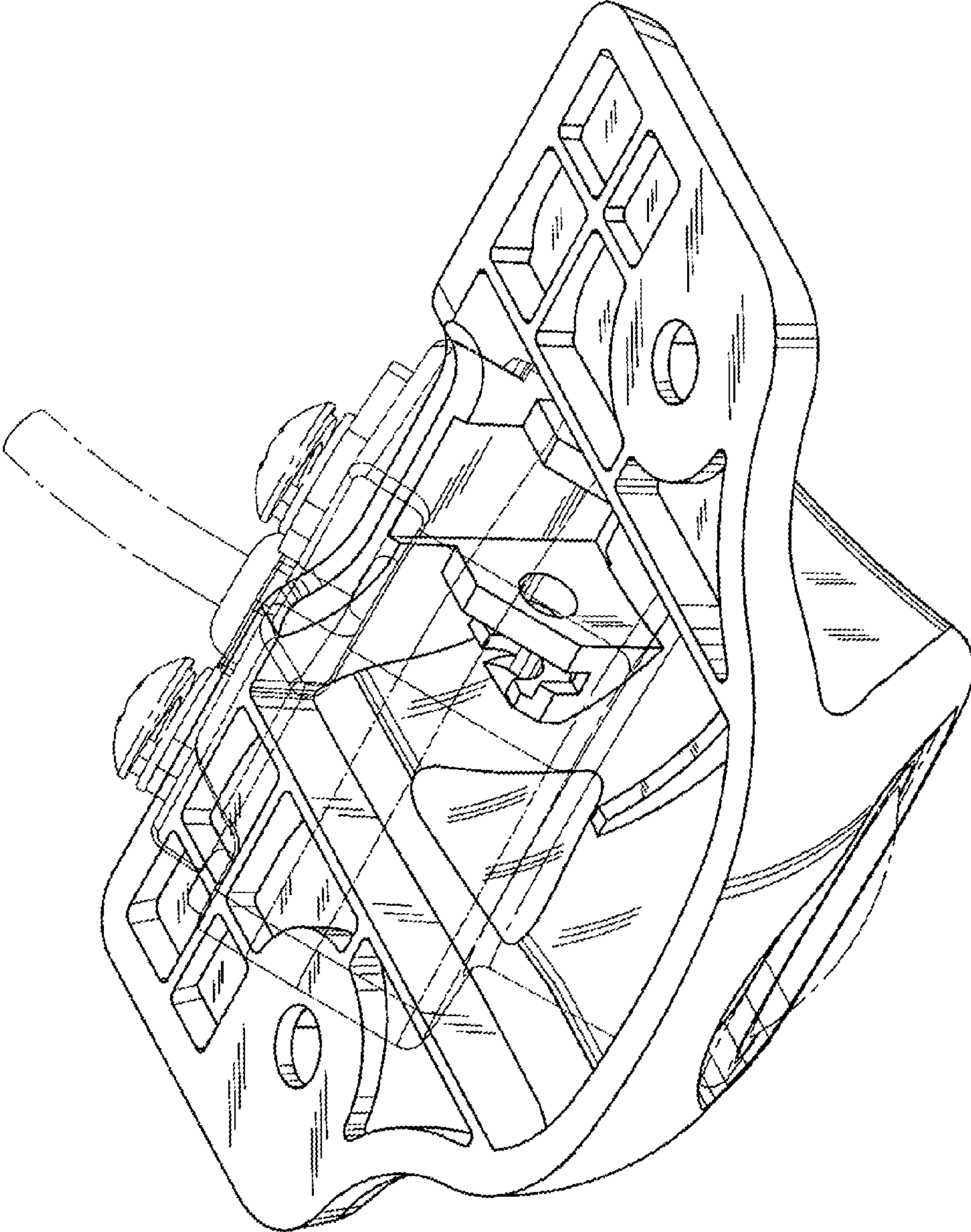


FIG. 8