



US00D616726S

(12) **United States Design Patent**
Ziaylek et al.

(10) **Patent No.:** **US D616,726 S**
(45) **Date of Patent:** **** Jun. 1, 2010**

(54) **TANK RETAINER**

(75) Inventors: **Michael P. Ziaylek**, 15 Cold Spring Ave., Yardley, PA (US) 19067; **W. Brian McGinty**, Huntingdon Valley, PA (US)

(73) Assignee: **Michael P. Ziaylek**, Yardley, PA (US)

(**) Term: **14 Years**

(21) Appl. No.: **29/316,757**

(22) Filed: **Oct. 29, 2009**

(51) **LOC (9) Cl.** **08-05**

(52) **U.S. Cl.** **D8/354**

(58) **Field of Classification Search** D8/349,
D8/354, 380; 248/300

See application file for complete search history.

(56) **References Cited**

U.S. PATENT DOCUMENTS

1,771,244	A *	7/1930	Bowen	248/300
2,213,747	A *	9/1940	Solt	248/300
2,278,232	A	3/1942	Anderson		
2,431,698	A	12/1947	Lombard		
3,667,714	A	6/1972	Ziaylek, Jr.		
3,780,972	A	12/1973	Brodersen		
4,304,383	A	12/1981	Huston		
4,586,687	A	5/1986	Ziaylek, Jr.		
4,848,714	A	7/1989	Ziaylek, Jr. et al.		
4,997,157	A	3/1991	Sweeny		
5,213,392	A	5/1993	Bostrom et al.		

5,314,233	A	5/1994	Bostrom et al.
5,354,029	A	10/1994	Ziaylek, Jr. et al.
5,681,080	A	10/1997	Pond et al.
5,803,544	A	9/1998	Block et al.
5,934,749	A	8/1999	Pond et al.
6,220,557	B1	4/2001	Ziaylek et al.
6,543,736	B2	4/2003	Field
6,601,923	B2	8/2003	Pond et al.
6,655,745	B2	12/2003	Fohrenkamm et al.
6,702,242	B1	3/2004	Ziaylek, Jr. et al.
6,883,766	B1	4/2005	Ziaylek et al.
6,926,243	B1	8/2005	Ziaylek et al.
2007/0187414	A1	8/2007	Lackore

* cited by examiner

Primary Examiner—Holly H Baynham

(74) *Attorney, Agent, or Firm*—Sperry, Zoda & Kane

(57) **CLAIM**

The ornamental design for a tank retainer, as shown.

DESCRIPTION

FIG. 1 is a front perspective illustration embodying our new design;

FIG. 2 is a front plan view;

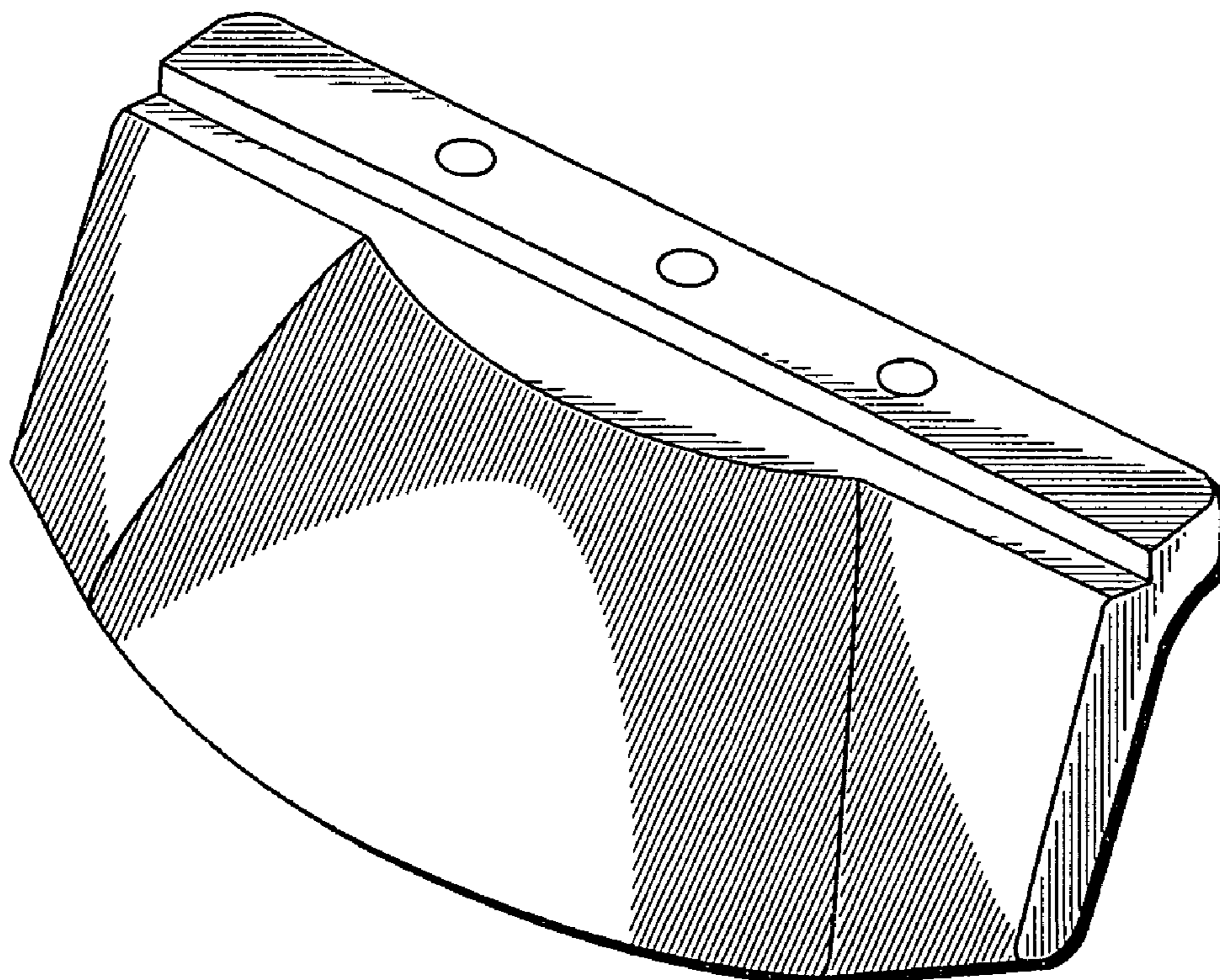
FIG. 3 is a side plan view;

FIG. 4 is a rear plan view;

FIG. 5 is a top plan view; and,

FIG. 6 is a bottom plan view.

1 Claim, 2 Drawing Sheets



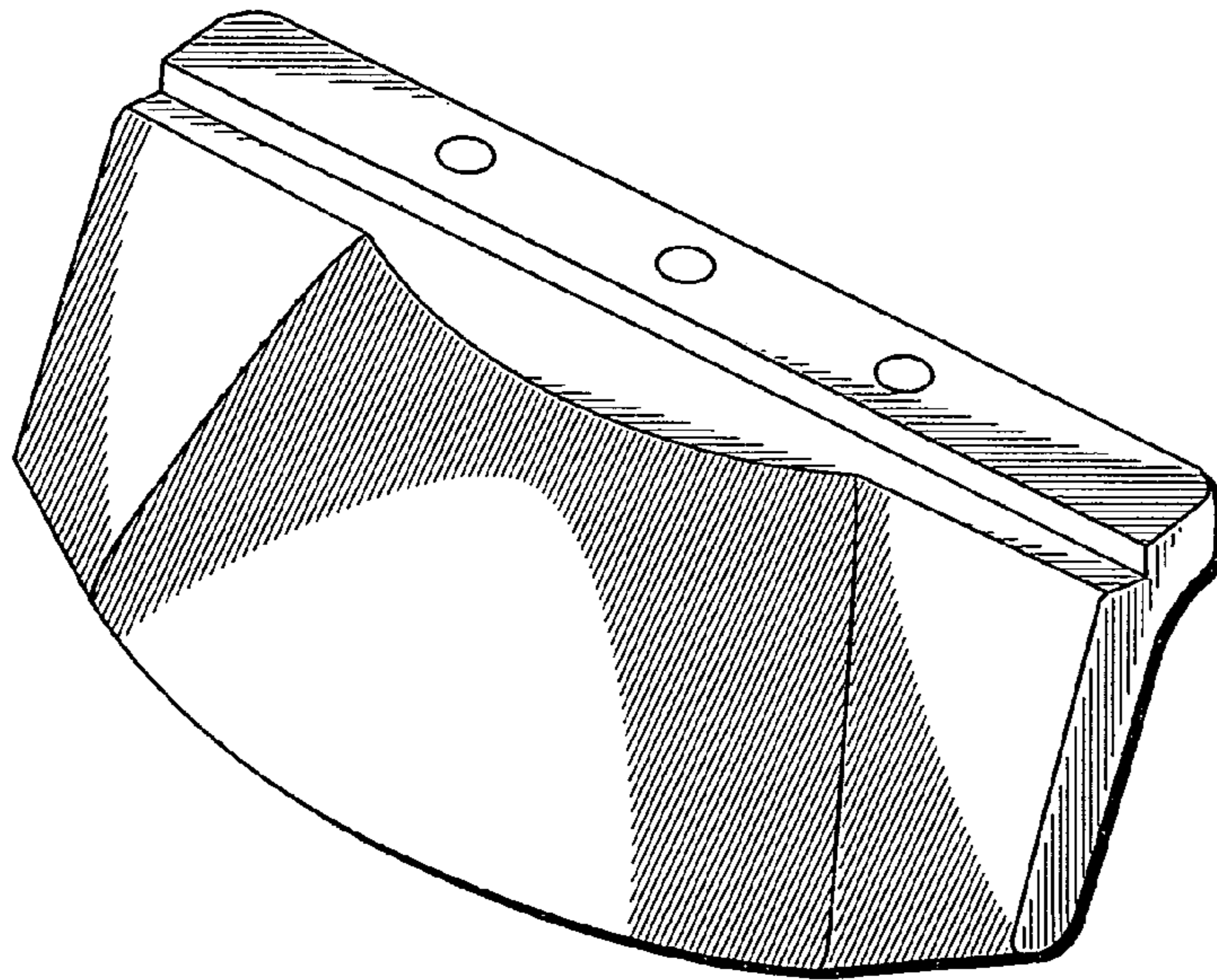


FIG. 1

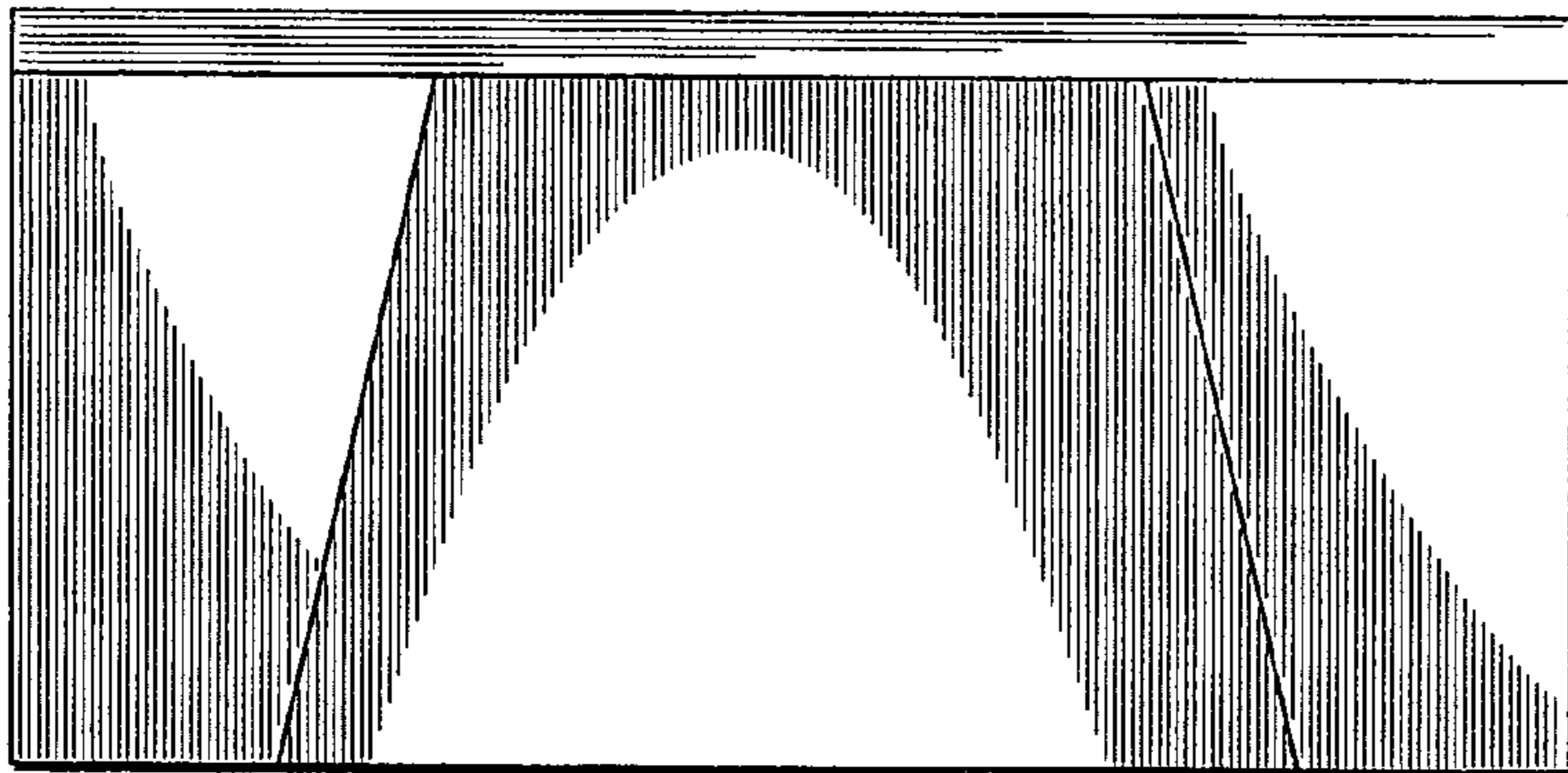


FIG. 2

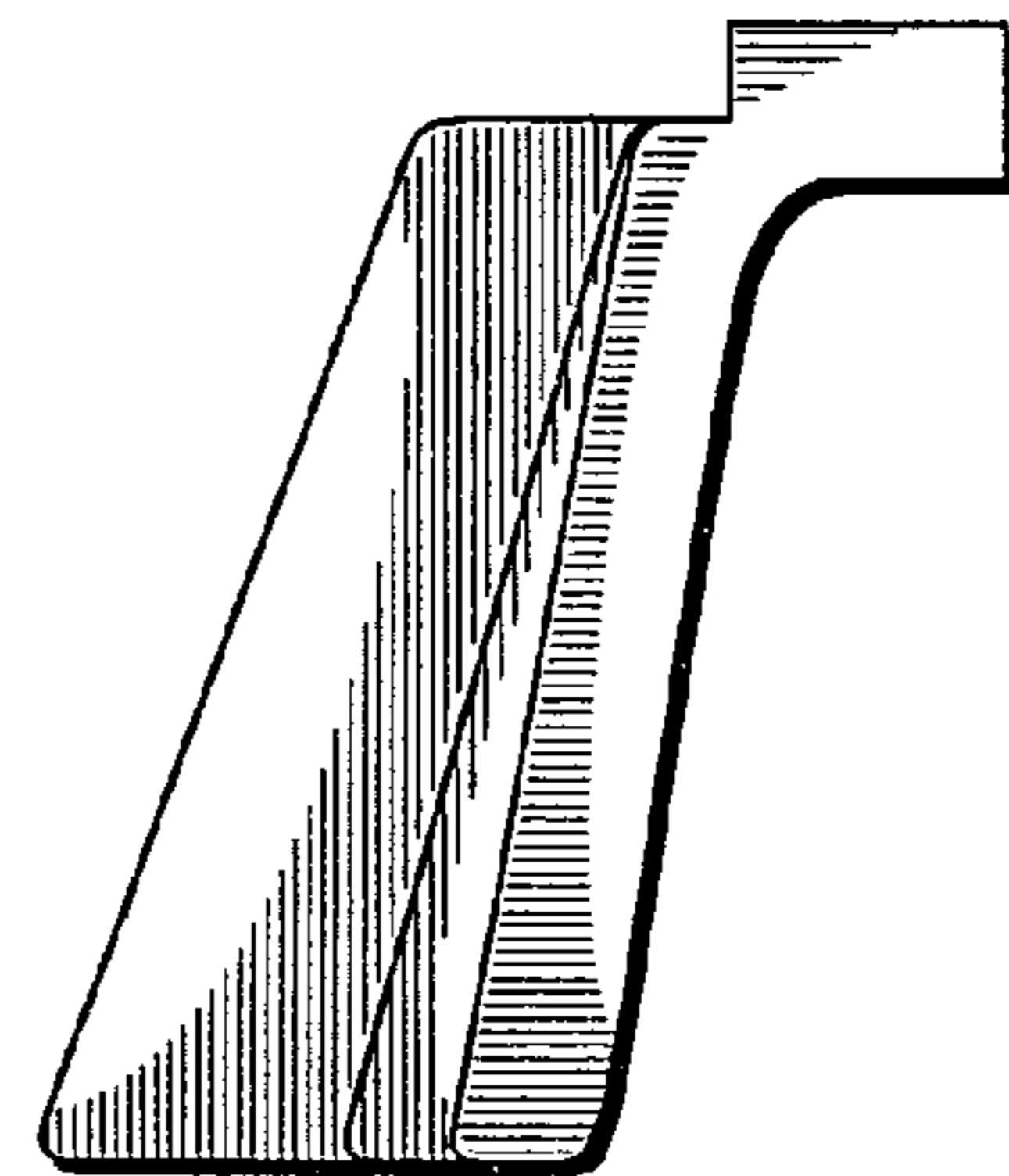


FIG. 3

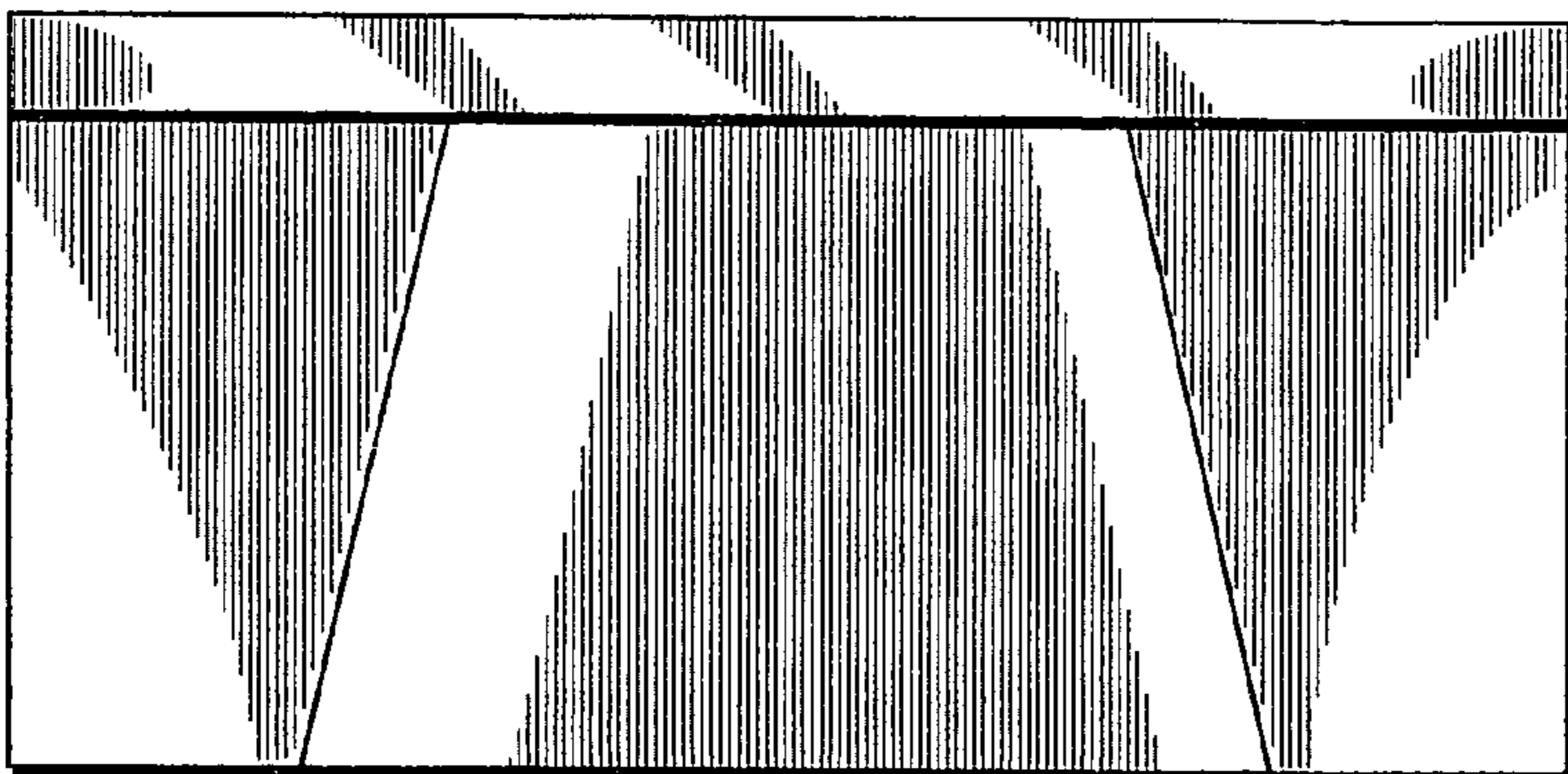


FIG. 4

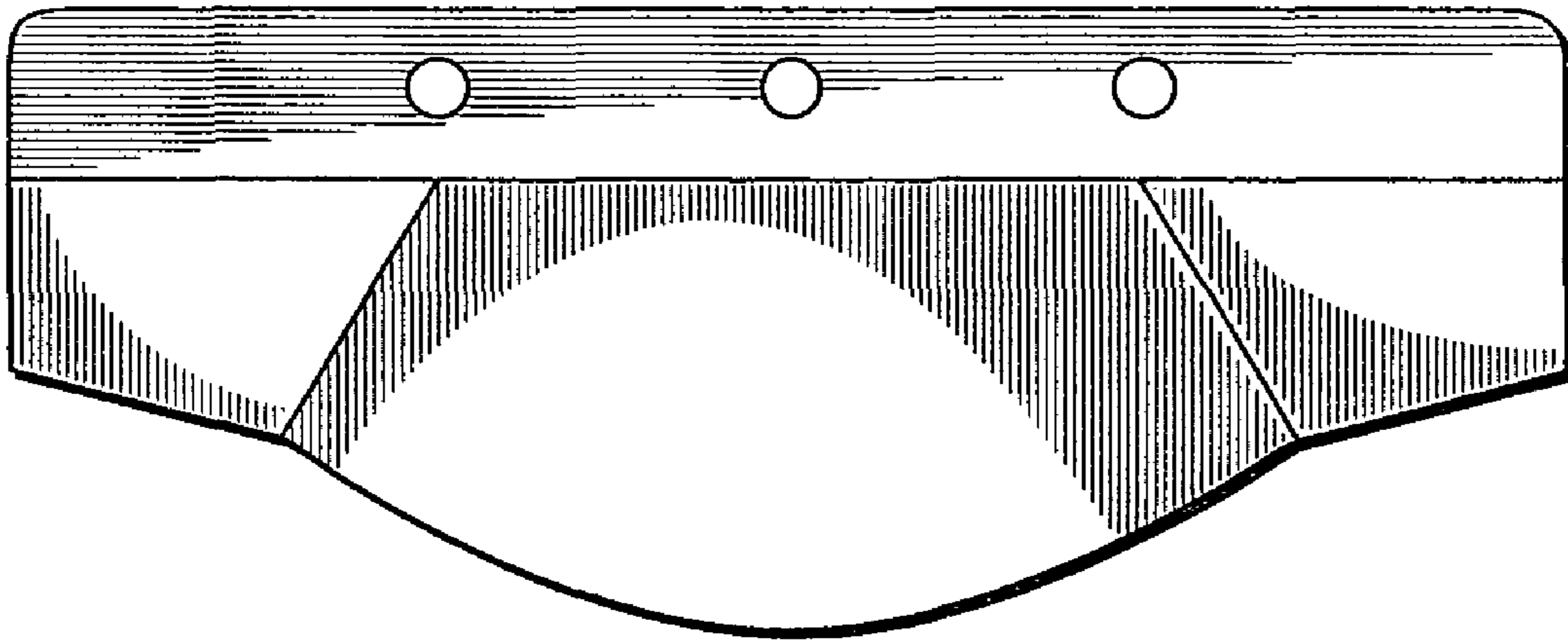


FIG. 5

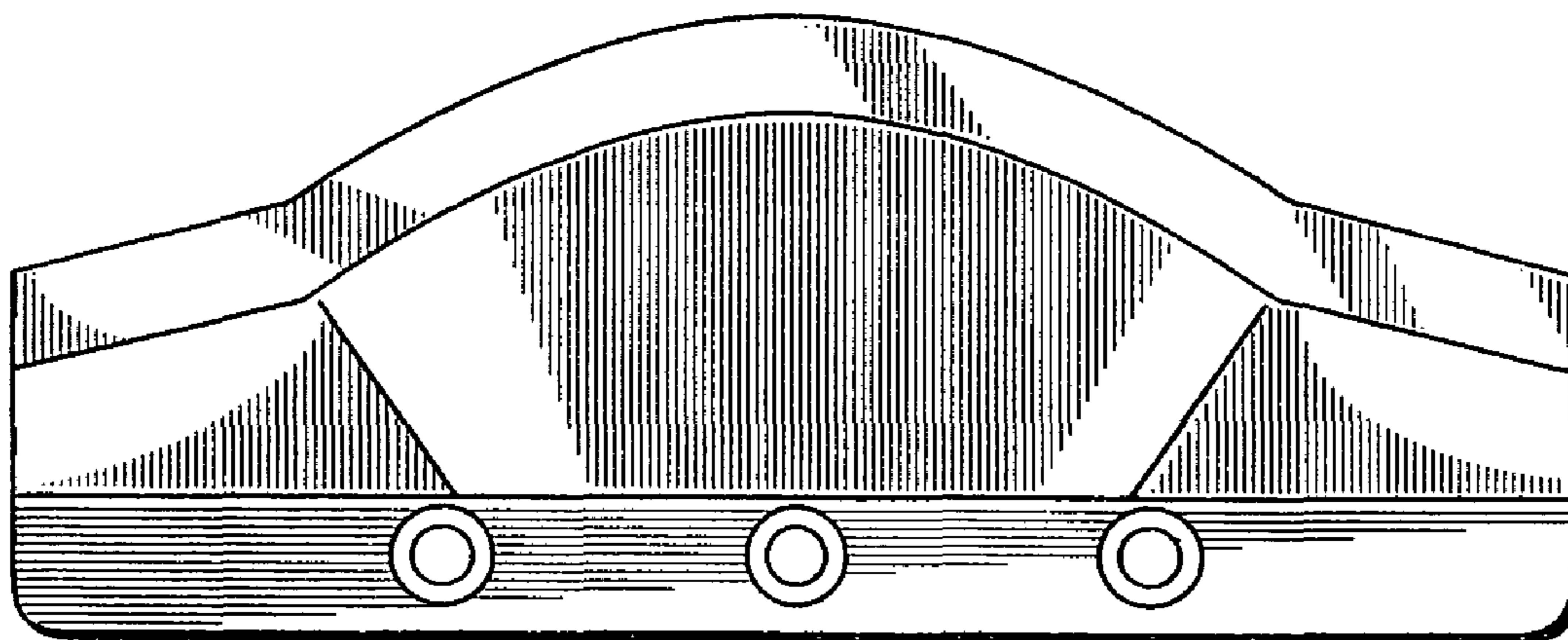


FIG. 6