



US00D616724S

(12) **United States Design Patent**
Sheremeta et al.

(10) **Patent No.:** **US D616,724 S**
(45) **Date of Patent:** **** Jun. 1, 2010**

(54) **ELECTRICAL RECEPTACLE AND INLET VALVE FACEPLATE**

D527,984 S * 9/2006 Dinh D8/353

(Continued)

(75) Inventors: **James George Sheremeta**, Shelburne (CA); **Daniel David Richard Mika**, Ottawa (CA); **Yan Feng**, Mississauga (CA)

Primary Examiner—Mark A Goodwin

(73) Assignee: **Plastiflex Canada Inc.**, Orangeville, Ontario (CA)

(57) **CLAIM**

The ornamental design for an electrical receptacle and inlet valve faceplate, as shown and described.

(**) Term: **14 Years**

DESCRIPTION

(21) Appl. No.: **29/347,206**

FIG. 1 is a front perspective view of a first embodiment of an electrical receptacle and inlet valve faceplate showing our new design in use condition;

(22) Filed: **Oct. 23, 2009**

FIG. 2 is a front elevational view thereof;

(30) **Foreign Application Priority Data**

Aug. 13, 2009 (CA) 131822

FIG. 3 is a rear elevational view thereof;

(51) **LOC (9) Cl.** **11-05**

(52) **U.S. Cl.** **D8/353**

(58) **Field of Classification Search** D8/350–353; D13/156, 177, 152, 154, 158, 173, 169, 171, D13/139.1–139.8, 146, 147; D14/159; D25/60; 174/66, 67; 220/241, 3.92, 3.5–3.8, 242; 439/536, 535, 892; 200/303; 248/273; 292/357
See application file for complete search history.

FIG. 4 is a left side elevational view thereof;

FIG. 5 is a right side elevational view thereof;

FIG. 6 is a top plan view thereof;

FIG. 7 is a bottom plan view thereof;

FIG. 8 is a front perspective view thereof shown in open condition;

FIG. 9 is a front perspective view of a second embodiment of an electrical receptacle and inlet valve faceplate showing our new design in use condition;

(56) **References Cited**

U.S. PATENT DOCUMENTS

- D265,967 S * 8/1982 Newman D8/350
- D283,007 S * 3/1986 Henkel D8/353
- D308,814 S * 6/1990 Kintigos et al. D8/351
- D331,386 S * 12/1992 Koessler D13/156
- D364,849 S * 12/1995 De Waal D13/177
- D429,623 S * 8/2000 De brey et al. D8/353
- D429,829 S * 8/2000 Doran D26/26
- D441,637 S * 5/2001 Jaag et al. D8/353
- D456,239 S * 4/2002 Luu D8/353
- D473,447 S * 4/2003 Luu D8/352
- D476,549 S * 7/2003 Shaw D8/353
- D503,284 S * 3/2005 Fields D8/353

FIG. 10 is a front elevational view thereof;

FIG. 11 is a rear elevational view thereof;

FIG. 12 is a left side elevational view thereof;

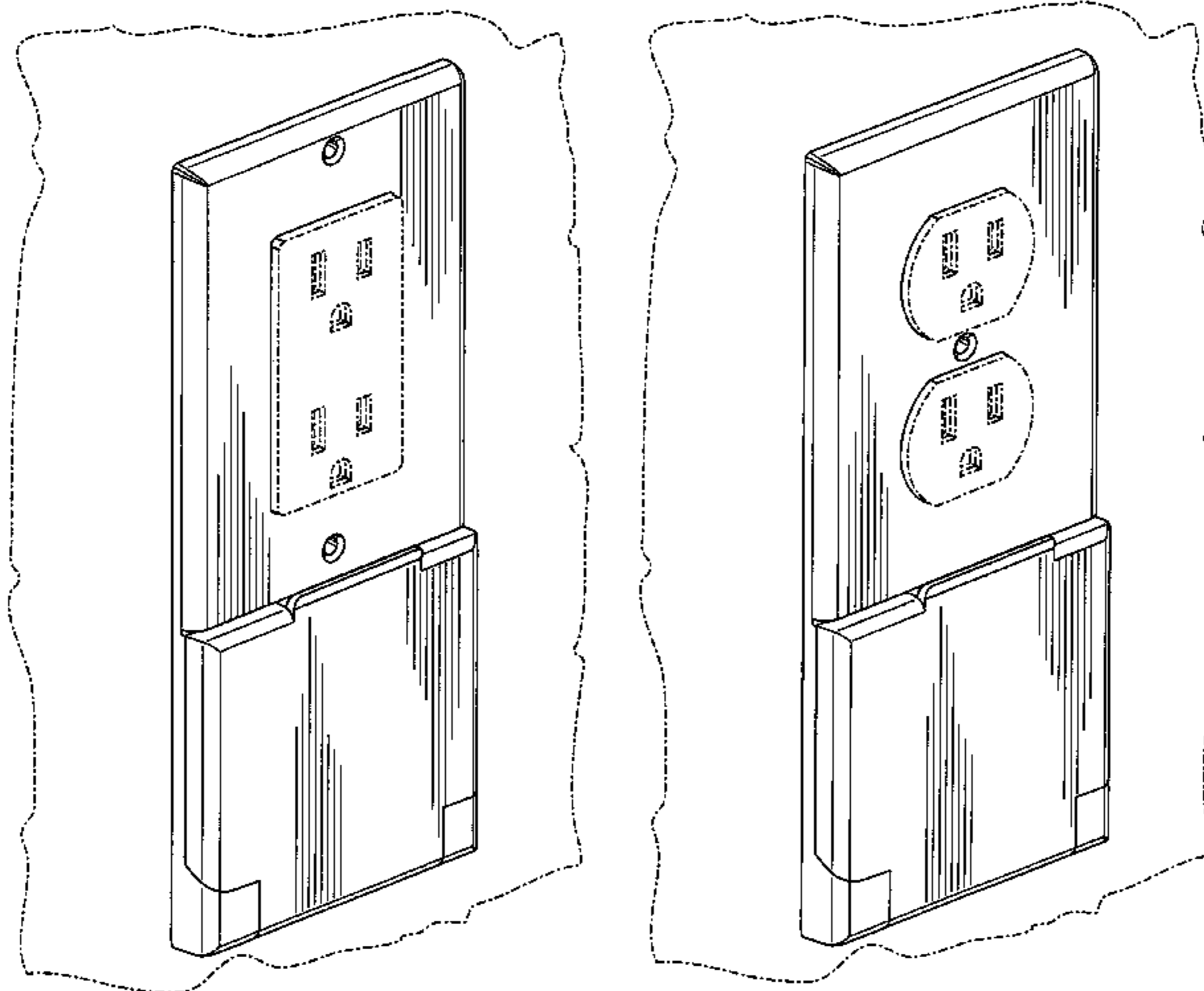
FIG. 13 is a right side elevational view thereof;

FIG. 14 is a top plan view thereof; and,

FIG. 15 is a bottom plan view thereof.

The broken line showing in FIGS. 1, 8, and 9 of the wall and electrical receptacle is included for the purpose of illustrating environmental structure and forms no part of the claimed design.

1 Claim, 7 Drawing Sheets



US D616,724 S

Page 2

U.S. PATENT DOCUMENTS

D544,783 S *	6/2007	Dinh	D8/353	D567,633 S *	4/2008	Anderson	D8/353
D548,572 S *	8/2007	DeCosta	D8/353	D568,719 S *	5/2008	Gorin et al.	D8/353
D554,475 S *	11/2007	Gorin et al.	D8/353	D577,987 S *	10/2008	Corbin	D8/353
D559,656 S *	1/2008	DeCosta	D8/353	D585,726 S *	2/2009	DeCosta	D8/353
D564,860 S *	3/2008	Levin et al.	D8/350	D593,842 S *	6/2009	Corbin	D8/353
D566,525 S *	4/2008	DeCosta	D8/353	D607,307 S *	1/2010	Cutler	D8/353

* cited by examiner

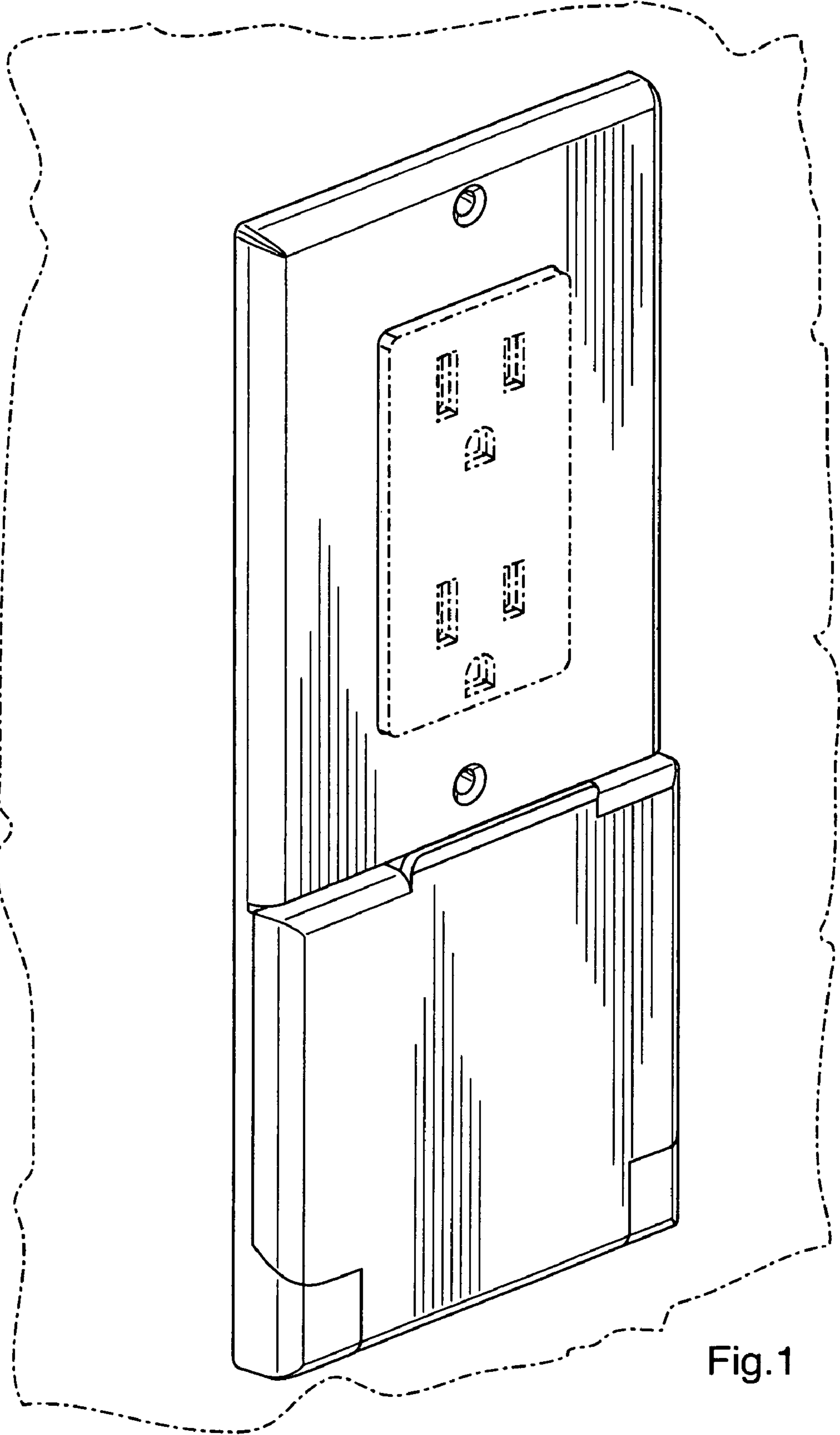


Fig. 1

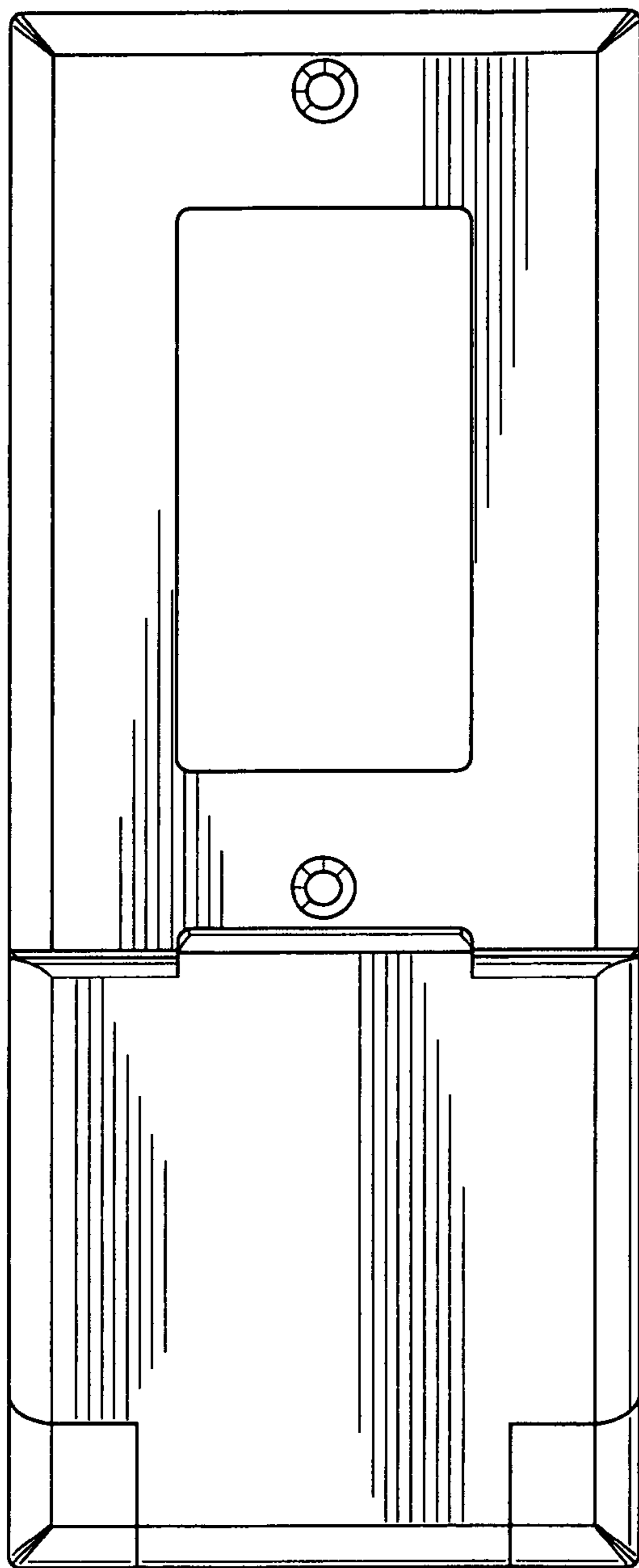


Fig.2

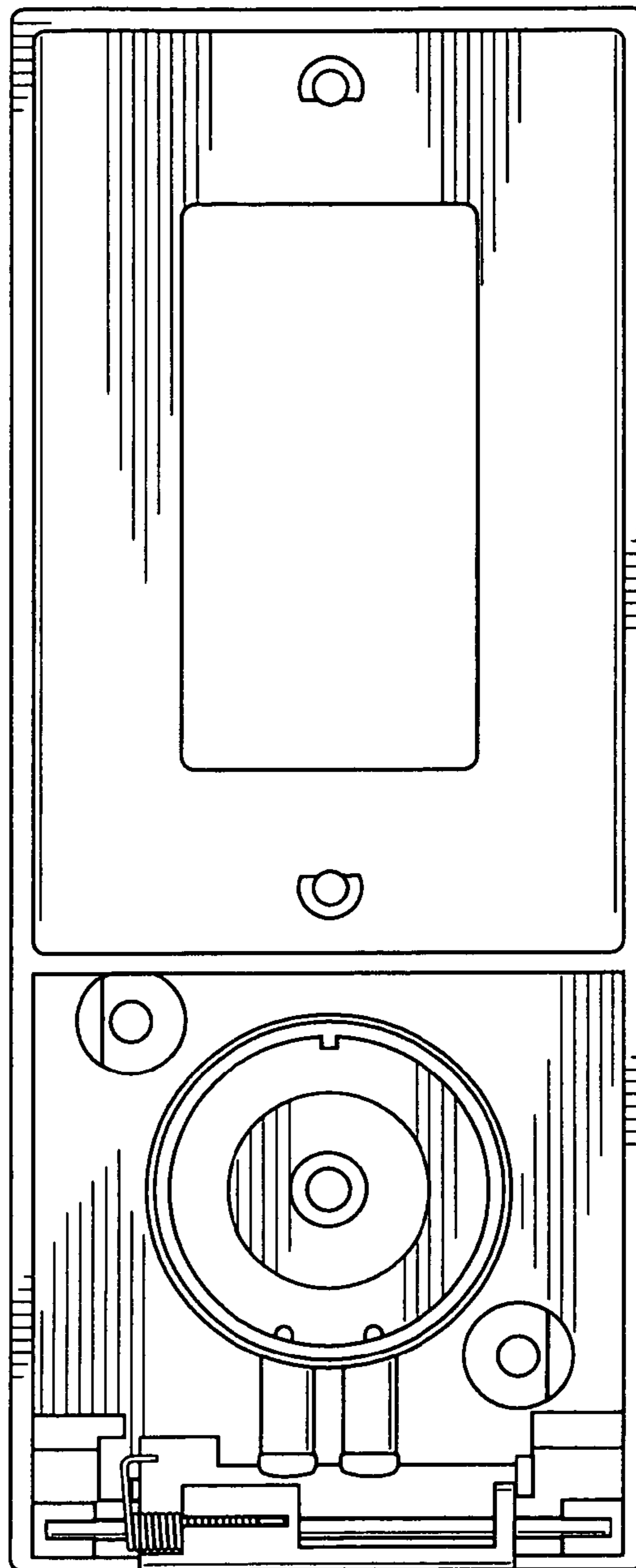
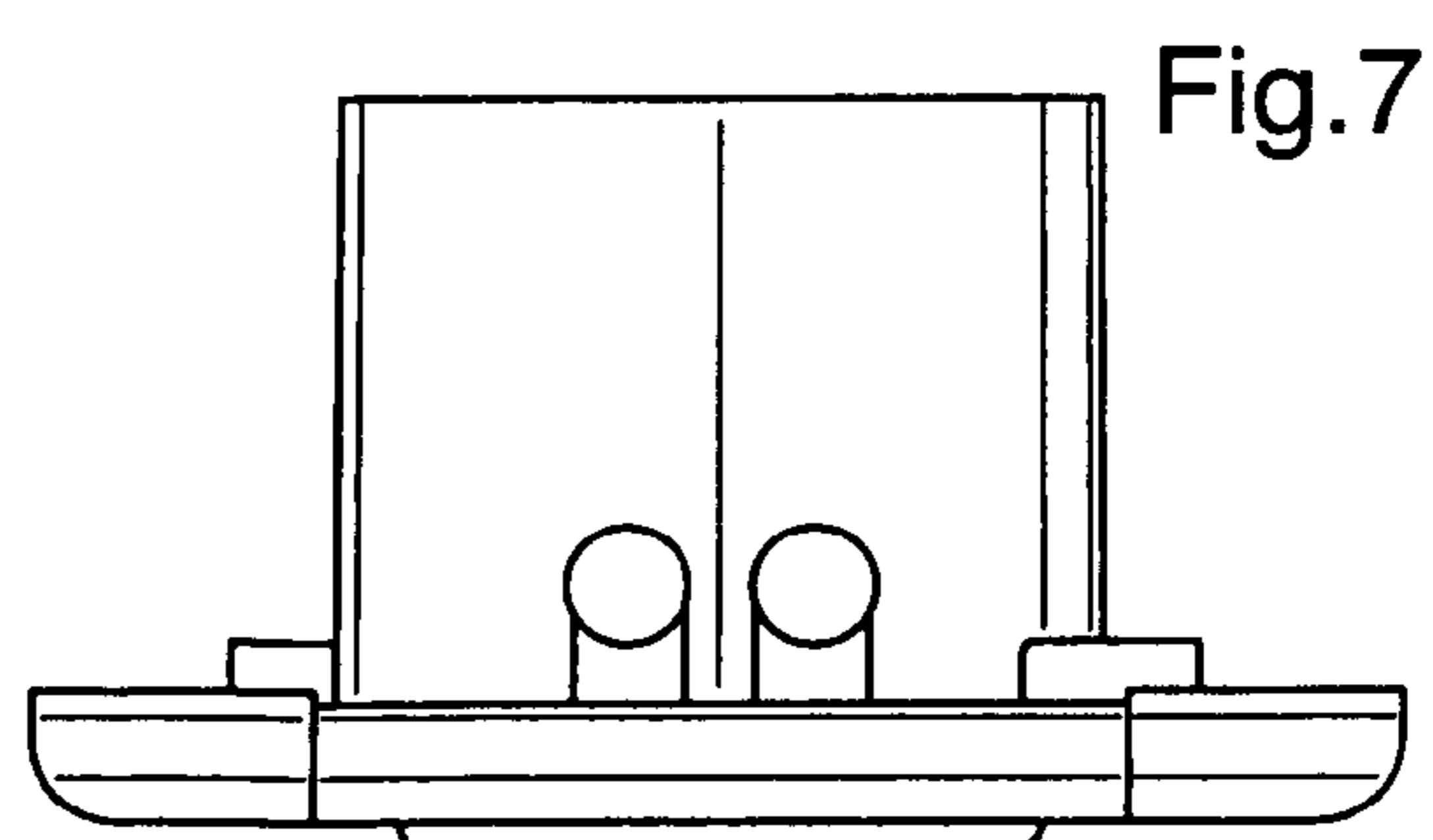
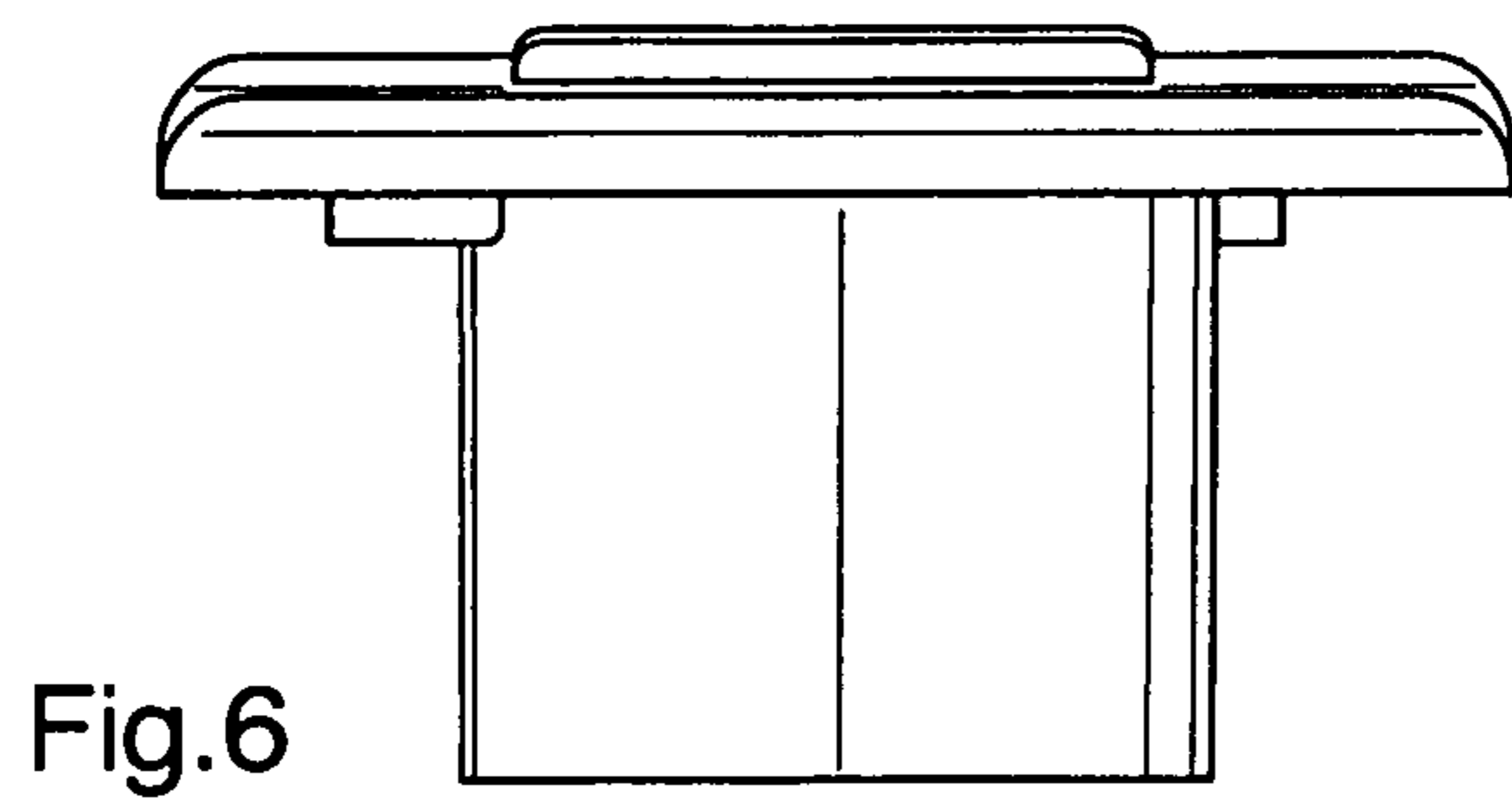
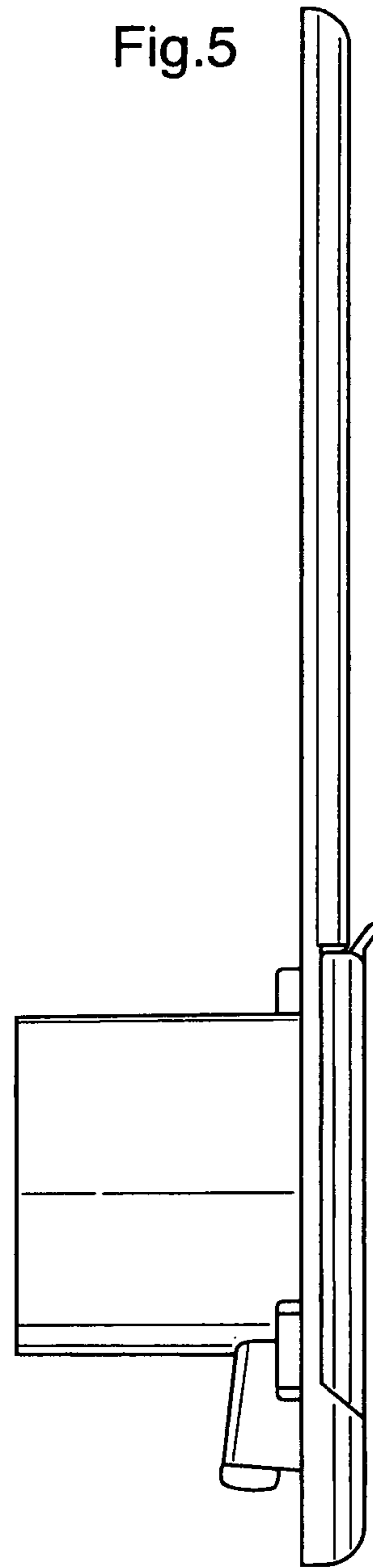
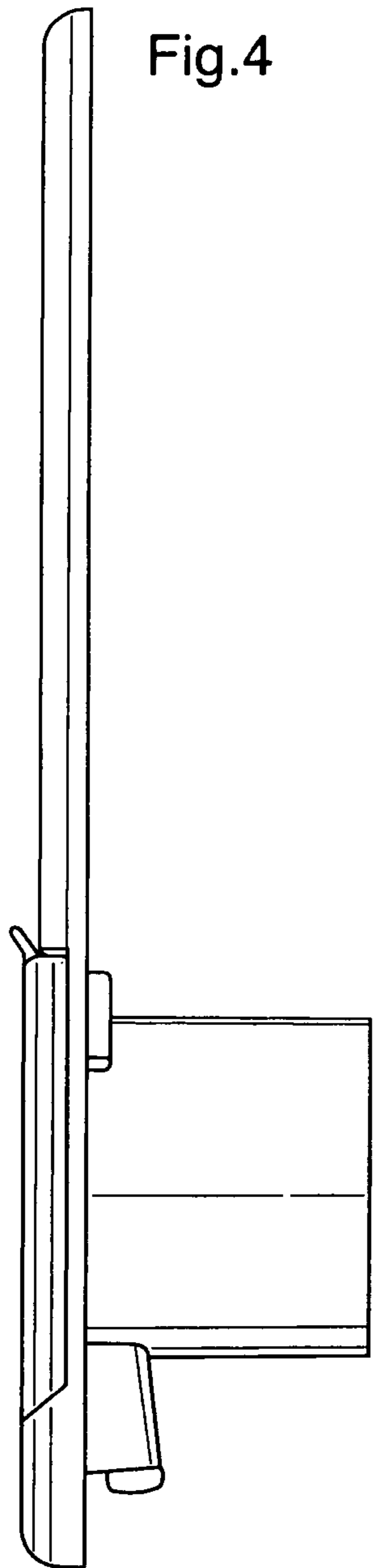


Fig.3



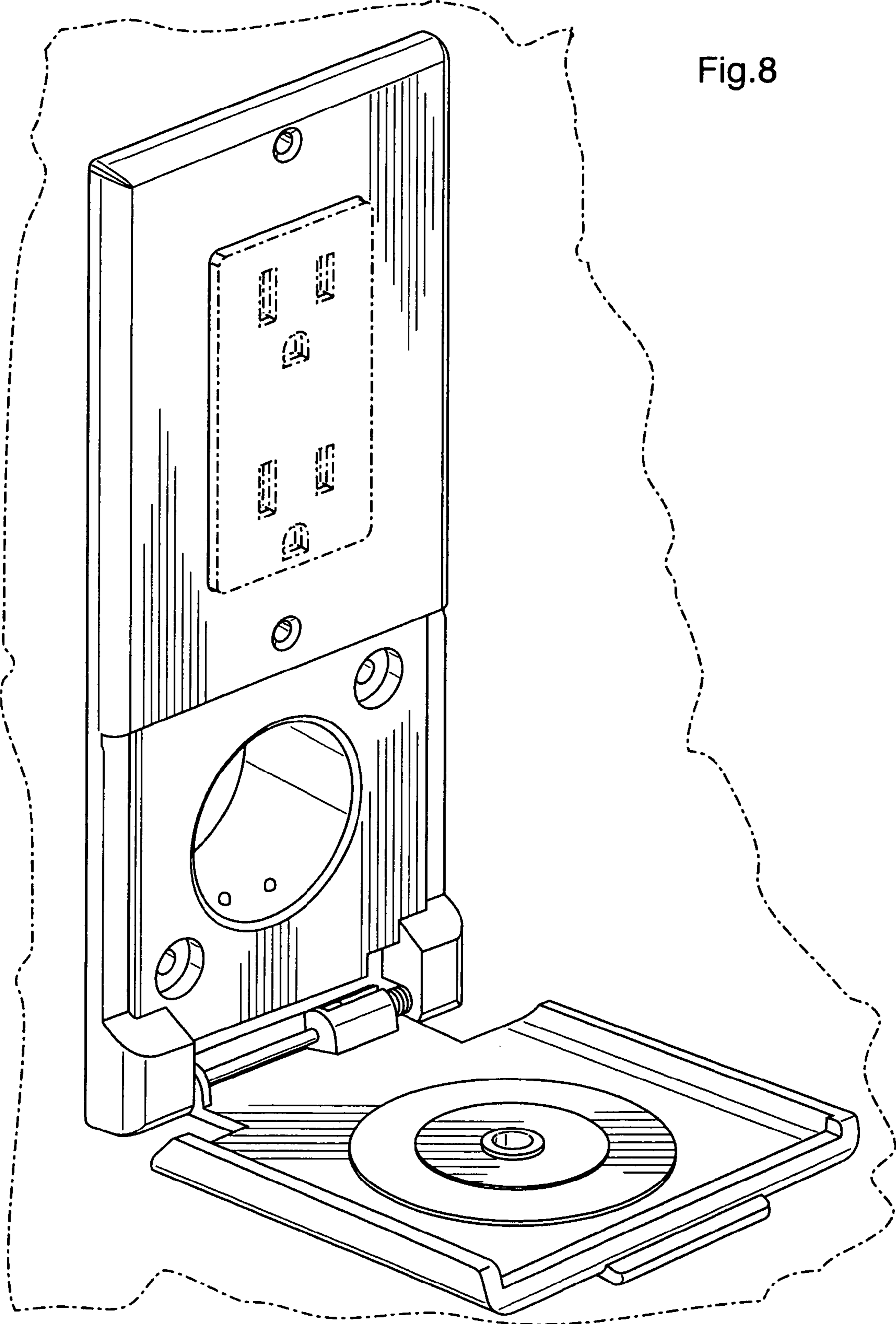


Fig.8

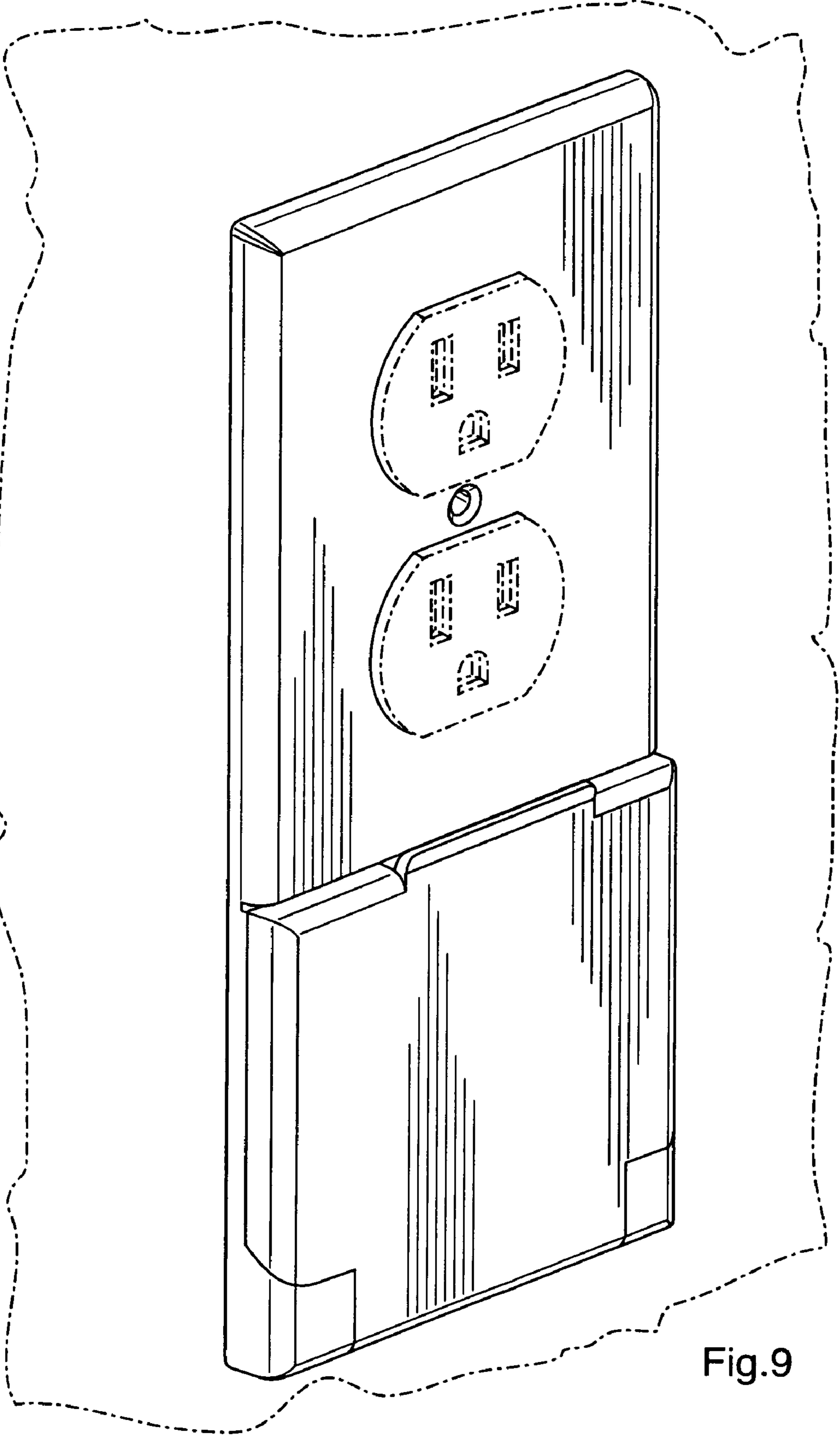


Fig.9

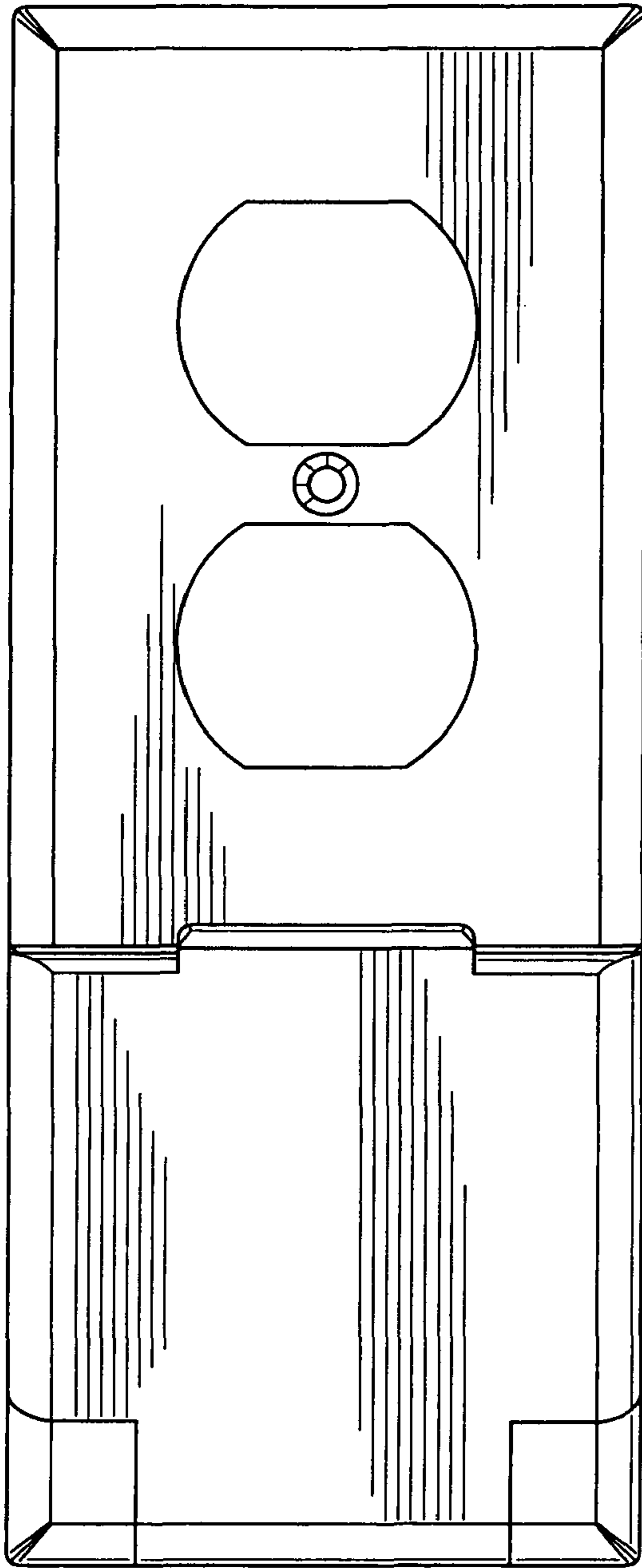


Fig. 10

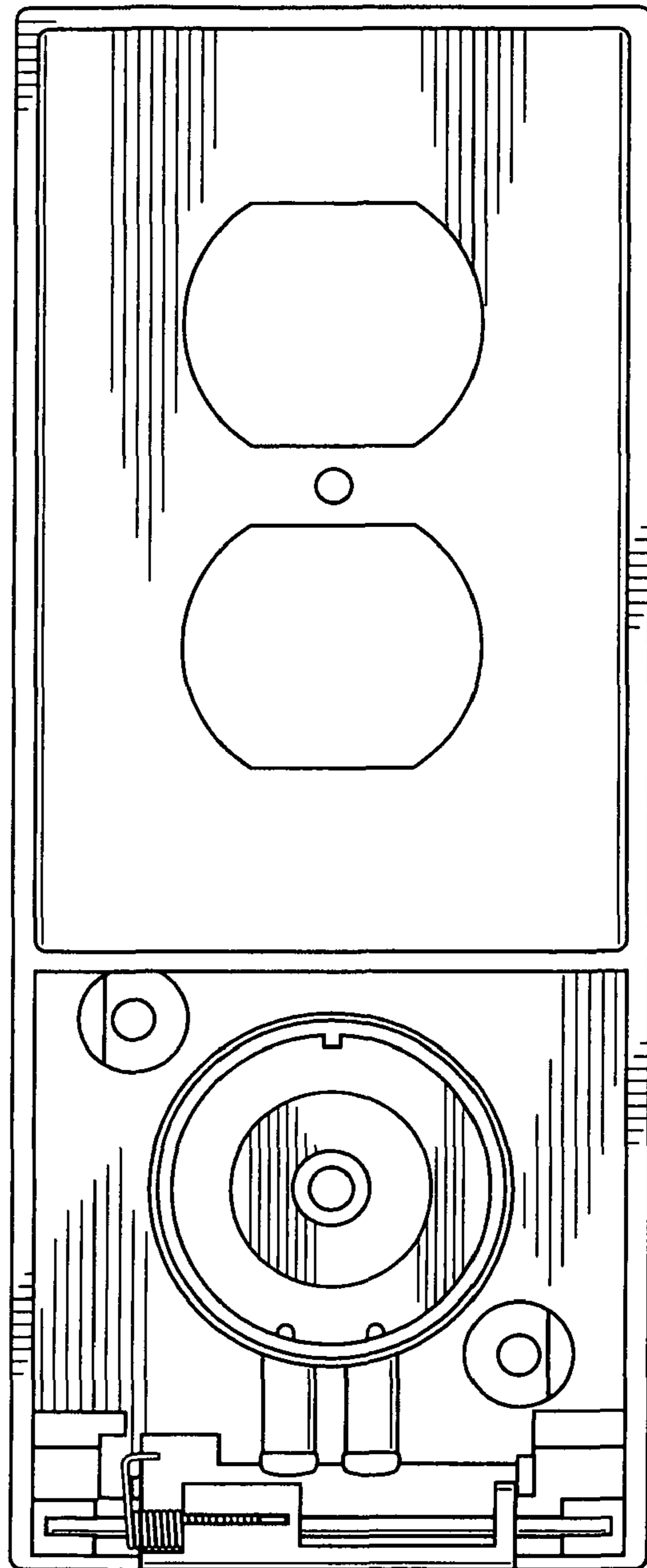


Fig. 11

