



US00D616722S

(12) **United States Design Patent**
Shin

(10) **Patent No.:** **US D616,722 S**
(45) **Date of Patent:** **** Jun. 1, 2010**

(54) **SLIDING LOCKING DEVICE FOR SNOW CHAIN OF DUAL WHEEL TIRE**

(75) Inventor: **Dae Kyun Shin**, Seoul (KR)

(73) Assignee: **SCS Systems Co., Ltd.**, Seoul (KR)

(**) Term: **14 Years**

(21) Appl. No.: **29/312,472**

(22) Filed: **Oct. 22, 2008**

(30) **Foreign Application Priority Data**

Sep. 10, 2008 (KR) 30-2008-0039442

(51) **LOC (9) Cl.** **08-07**

(52) **U.S. Cl.** **D8/339**

(58) **Field of Classification Search** D8/330,
D8/331, 333, 338, 341, 343, 344, 349, 353,
D8/354, 377, 499; D12/217; 70/51, 52,
70/54, 55, 143, 155, 184, 199, 225-228;
152/208, 213 R, 216, 217, 219-222, 225 R,
152/226-230, 232, 233, 237; 188/32
See application file for complete search history.

(56) **References Cited**

U.S. PATENT DOCUMENTS

1,324,495	A *	12/1919	Cleaver	152/221
2,263,542	A *	11/1941	Keiling et al.	152/220
2,936,807	A *	5/1960	Hajart	152/225 R
3,103,242	A *	9/1963	Culp	152/230
3,581,797	A *	6/1971	Kinnucan	152/220
3,695,394	A *	10/1972	Carpenter	188/32
5,454,412	A *	10/1995	Bowers	152/221
5,779,827	A *	7/1998	Olexson	152/217
5,785,351	A *	7/1998	Chang et al.	280/757
6,581,661	B1 *	6/2003	Morrison et al.	152/232
D514,425	S *	2/2006	Hamilton et al.	D8/331

D520,338	S *	5/2006	Robert et al.	D8/339
D535,176	S *	1/2007	Joiner et al.	D8/330
D540,148	S *	4/2007	Moore	D8/330
D549,073	S *	8/2007	Gilbert et al.	D8/330

* cited by examiner

Primary Examiner—Prabhakar Deshmukh

Assistant Examiner—Derrick Holland

(74) *Attorney, Agent, or Firm*—The Webb Law Firm

(57) **CLAIM**

The ornamental design for a sliding locking device for snow chain of dual wheel tire, as shown and described.

DESCRIPTION

FIG. 1 is a perspective view of a sliding locking device for snow chain of dual wheel tire showing my new design;

FIG. 2 is a front side view thereof;

FIG. 3 is a rear side view thereof;

FIG. 4 is a left side view thereof;

FIG. 5 is a right side view thereof;

FIG. 6 is a top plan view thereof;

FIG. 7 is a bottom view thereof; and,

FIG. 8 is a perspective view thereof, wherein the slide and the locking members of the device are separated.

The portions of the photographs in FIGS. 6 and 7 shown in a coarse dot pattern and outlined in dashed lines are included for the purpose of illustrating portions of the sliding locking device for snow chain of dual wheel tire that form no part of the claimed design.

The trademark name “GRIPONE” forming part of the claimed design is a registered trademark of SCS Systems Co. Ltd.

1 Claim, 7 Drawing Sheets

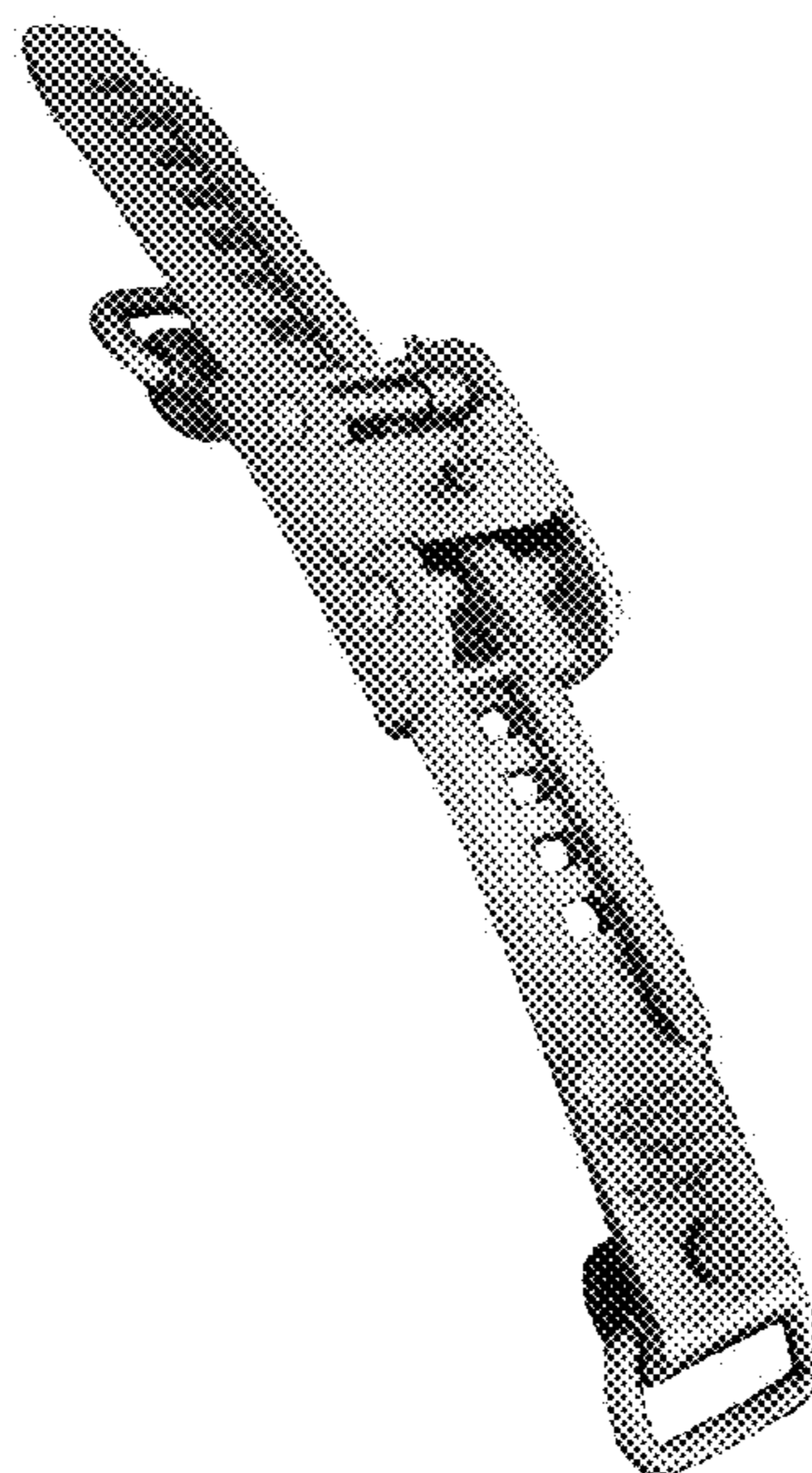




FIG. 1

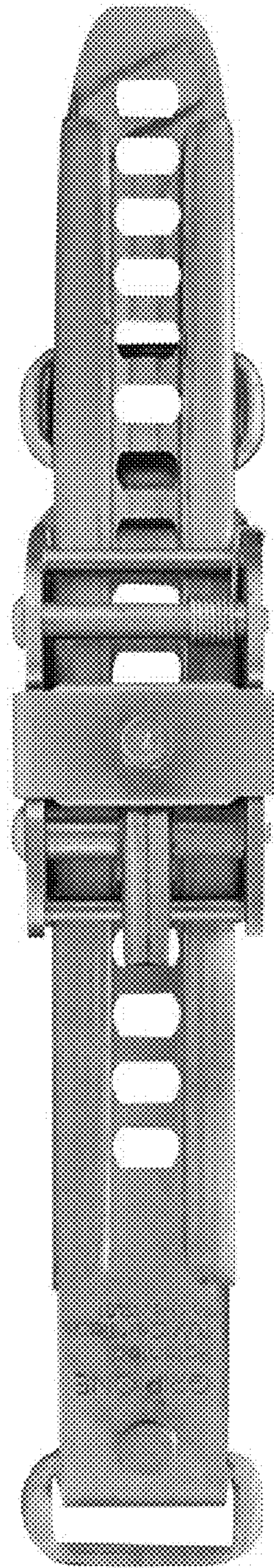


FIG. 2

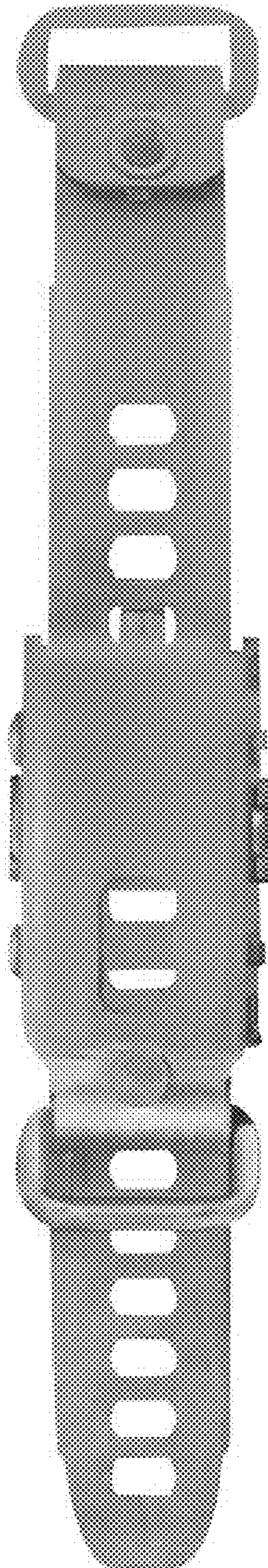


FIG. 3

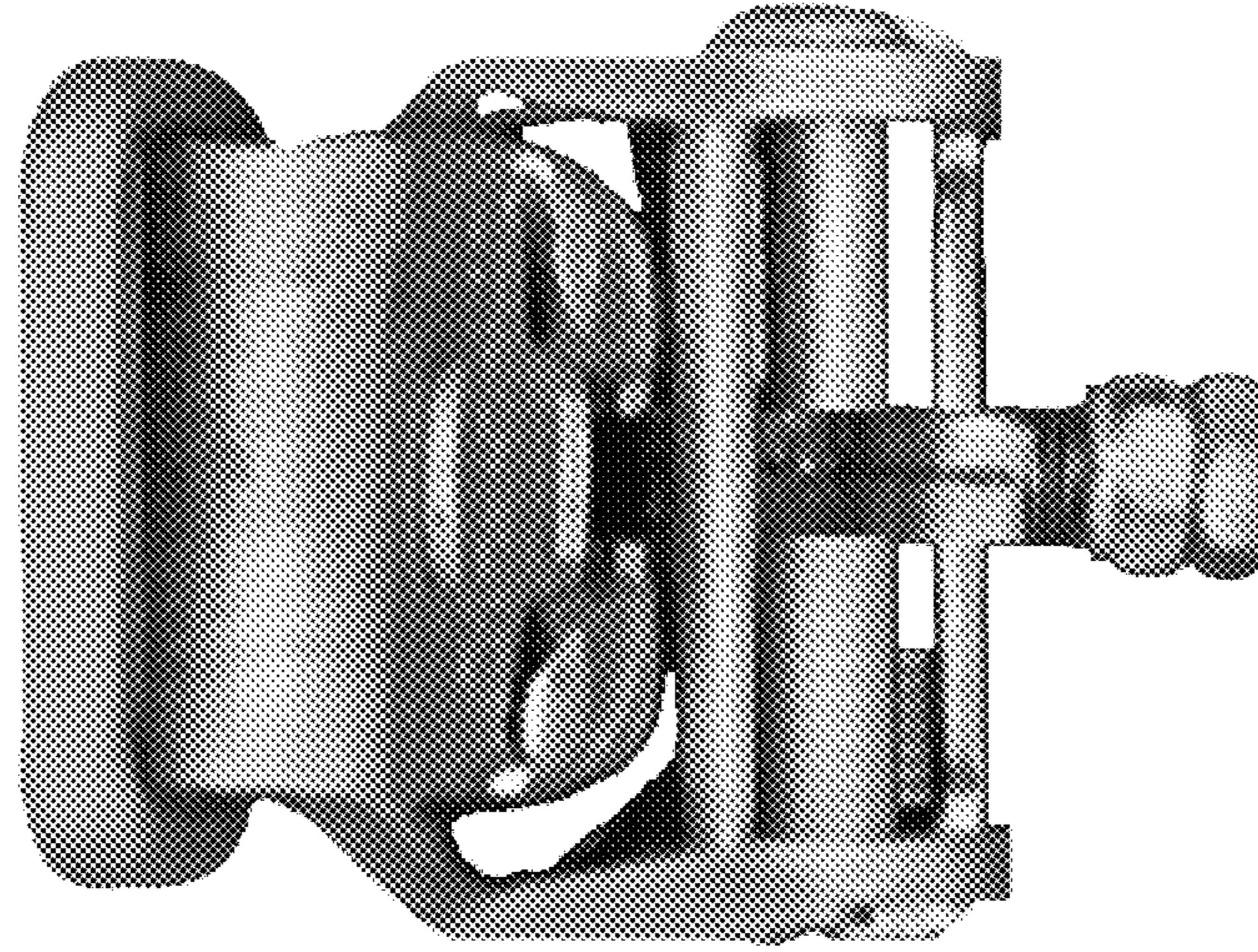


FIG. 4

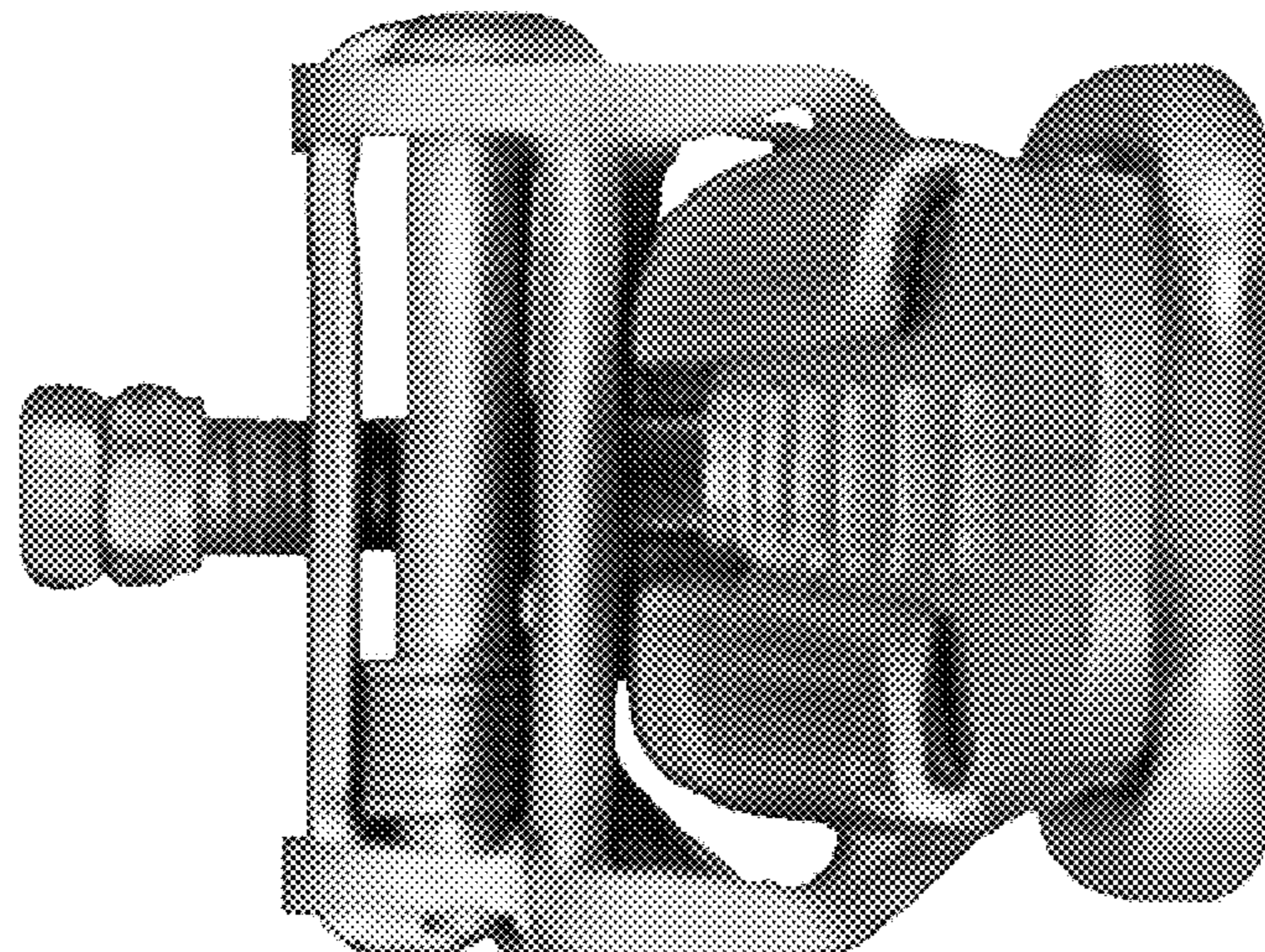


FIG. 5

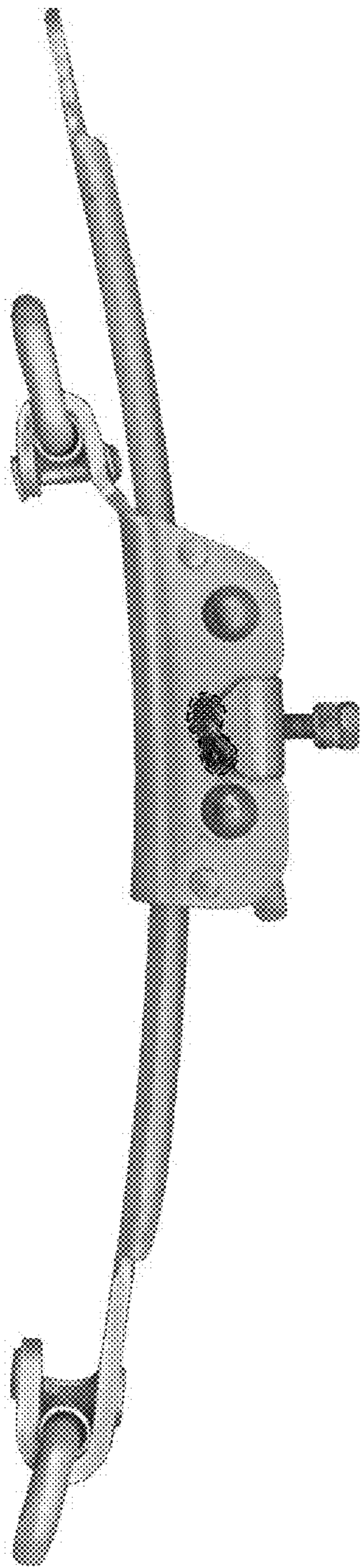


FIG. 6

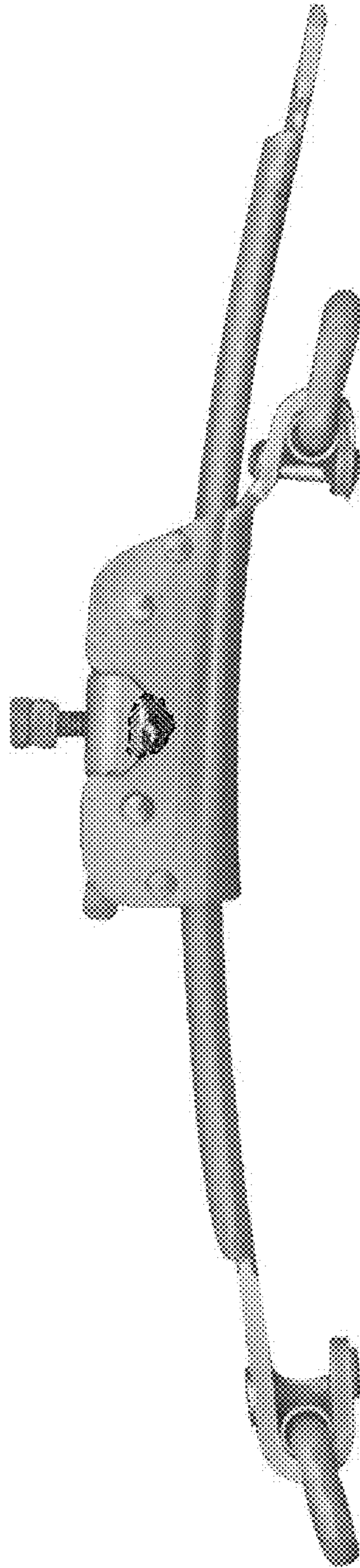


FIG. 7

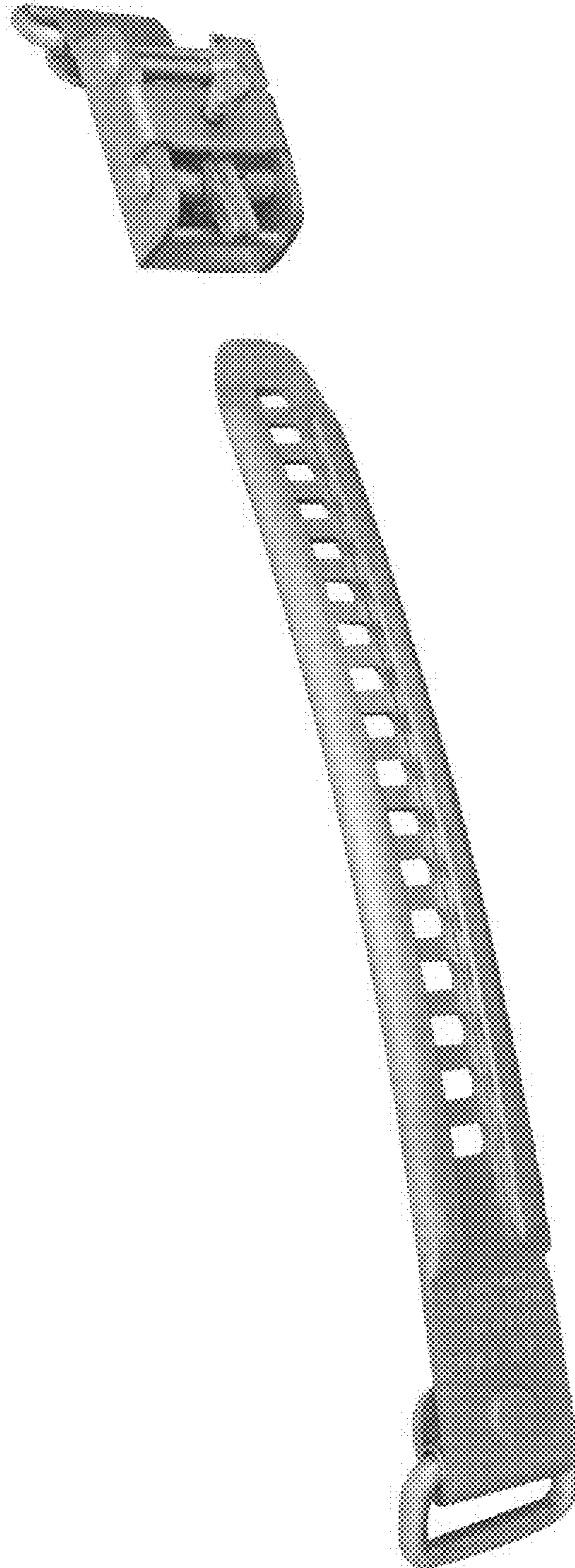


FIG. 8