



US00D616720S

(12) **United States Design Patent**
Aruga et al.

(10) **Patent No.:** **US D616,720 S**
(45) **Date of Patent:** **** Jun. 1, 2010**

(54) **HANDLE OF BAGGAGE RACK COVER FOR AIRCRAFT**

(75) Inventors: **Hiroyasu Aruga**, Nagoya (JP); **Zenji Hayakawa**, Nagoya (JP); **Mitsuo Ogura**, Aichi-ken (JP); **Kenji Asano**, Nagoya (JP)

(73) Assignees: **Mitsubishi Heavy Industries, Ltd.**, Tokyo (JP); **Mitsubishi Aircraft Corporation**, Tokyo (JP)

(**) Term: **14 Years**

(21) Appl. No.: **29/330,560**

(22) Filed: **Jan. 9, 2009**

(30) **Foreign Application Priority Data**

Jul. 10, 2008 (JP) 2008-017760

(51) **LOC (9) Cl.** **08-06**

(52) **U.S. Cl.** **D8/302; D8/300**

(58) **Field of Classification Search** D8/300,
D8/302, 307, DIG. 2, DIG. 9, 338, 341, 343;
D12/315, 317; 244/147, 129.4, 129.5, 904;
312/327, 329, 328, 322, 333; 220/447, 481;
16/110.1; D3/292; 292/137, DIG. 37, DIG. 36,
292/DIG. 65; 114/201 R, 203; 70/368, 375,
70/421

See application file for complete search history.

(56) **References Cited**

U.S. PATENT DOCUMENTS

D80,584 S * 2/1930 Stone D8/341
D127,682 S * 6/1941 Levine D8/338
D161,643 S * 1/1951 Prescott D28/84
D187,532 S * 3/1960 Jakeway D8/300

D230,566 S * 3/1974 Harrell D8/302
D238,047 S * 12/1975 Meroni D8/302
4,577,563 A * 3/1986 Sidler 109/52
5,235,832 A * 8/1993 Lux et al. 70/368
D433,306 S * 11/2000 Pfeiffer D8/302
6,155,520 A * 12/2000 Giraud et al. 244/129.4
D500,281 S * 12/2004 Aruga et al. D12/319
D500,282 S * 12/2004 Aruga et al. D12/319
D584,131 S * 1/2009 Roberts D8/343

* cited by examiner

Primary Examiner—Paula Greene

(74) *Attorney, Agent, or Firm*—Birch, Stewart, Kolasch & Birch, LLP

(57) **CLAIM**

The ornamental design for a handle of baggage rack cover for aircraft, as shown and described.

DESCRIPTION

FIG. 1 is a perspective view of a handle of baggage rack cover for aircraft showing our new design;

FIG. 2 is a front elevation view thereof, the rear is plane and unornamented;

FIG. 3 is a rear elevation view thereof;

FIG. 4 is a right side elevation view thereof;

FIG. 5 is a top plan view thereof;

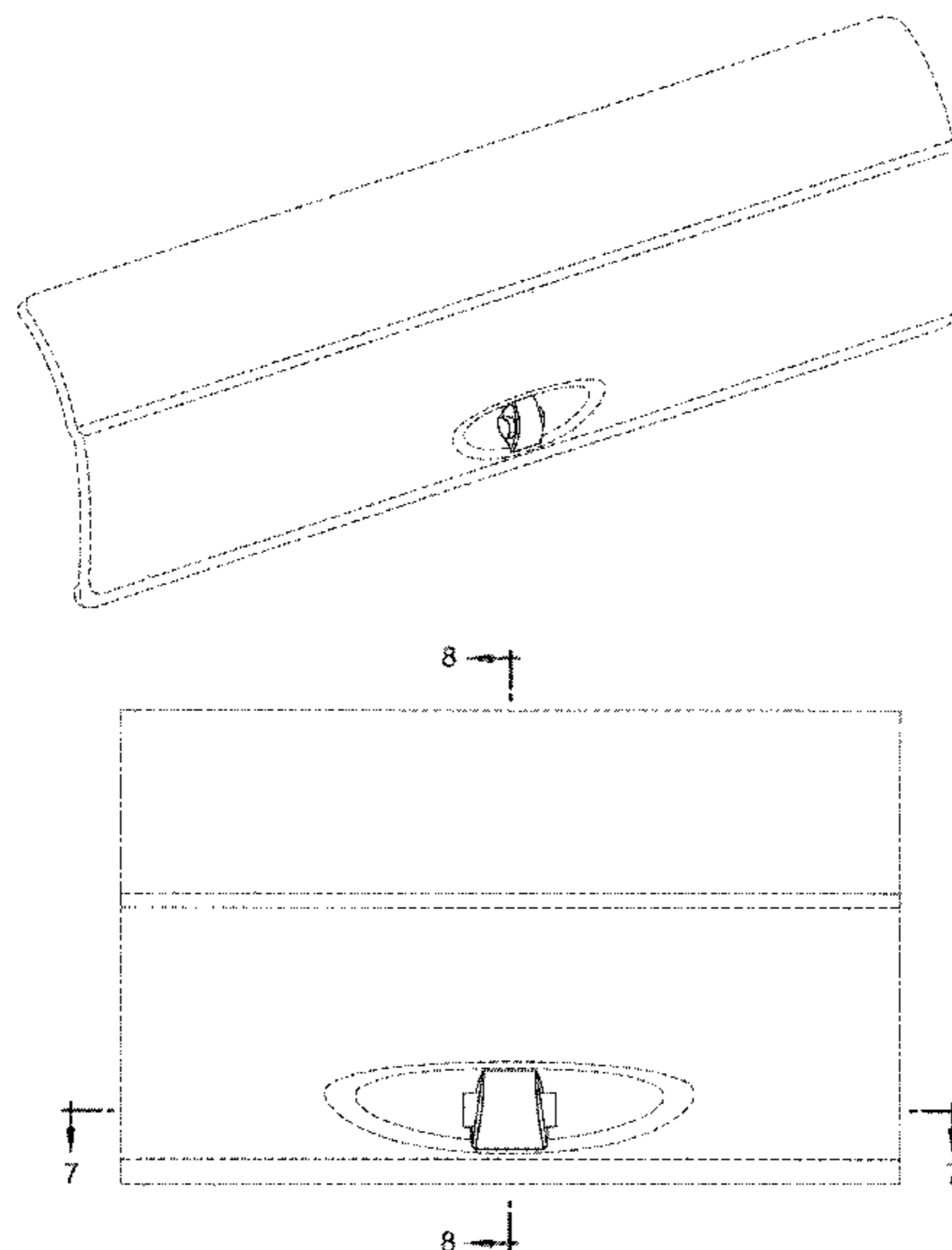
FIG. 6 is a bottom plan view thereof;

FIG. 7 is an end view thereof taken along line 7—7 of FIG. 2; and,

FIG. 8 is an end view taken along line 8—8 of FIG. 2.

The broken lines shown in drawings are for the purpose of showing background structure only and form no part of the claimed design.

1 Claim, 8 Drawing Sheets



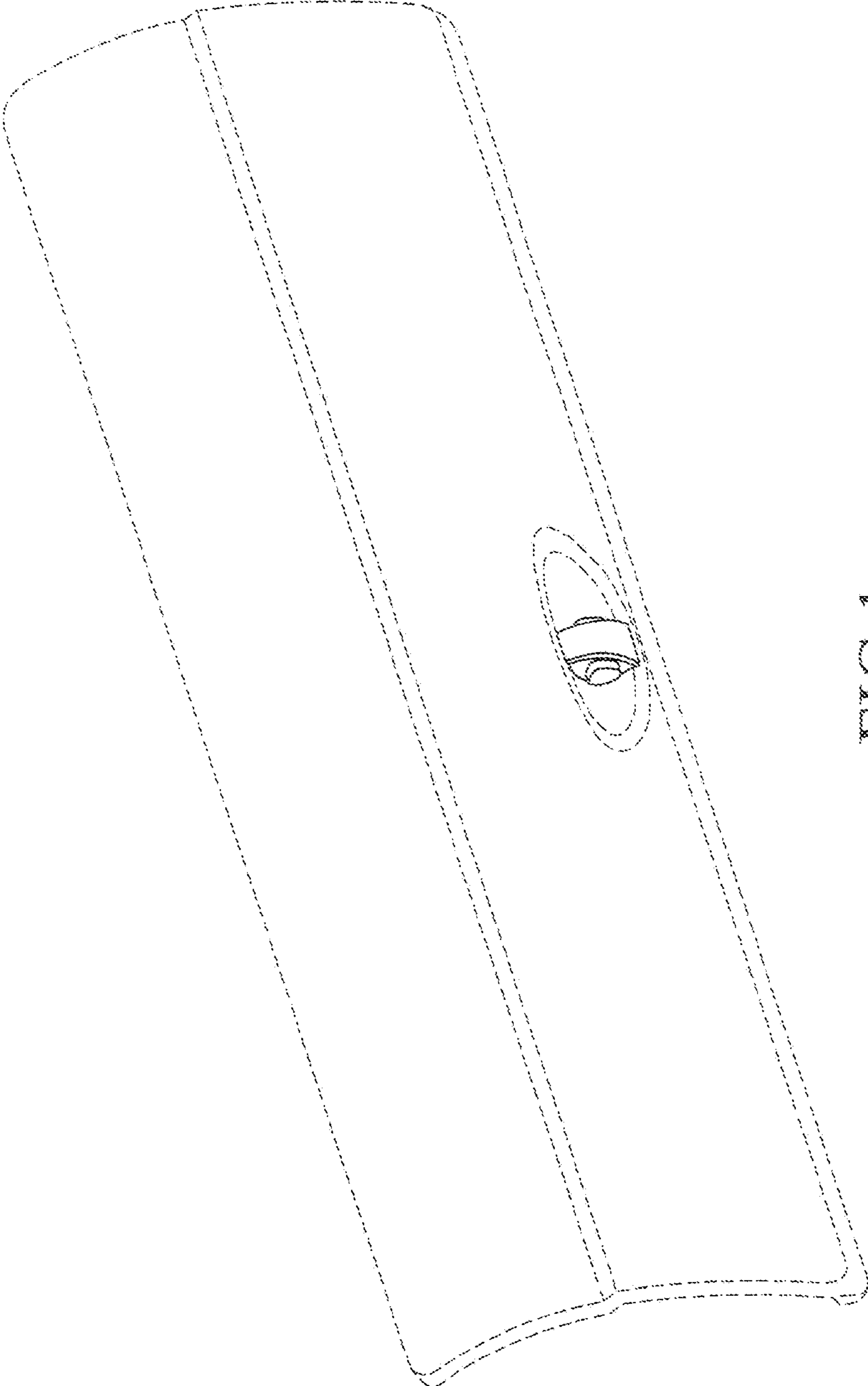


FIG. 1

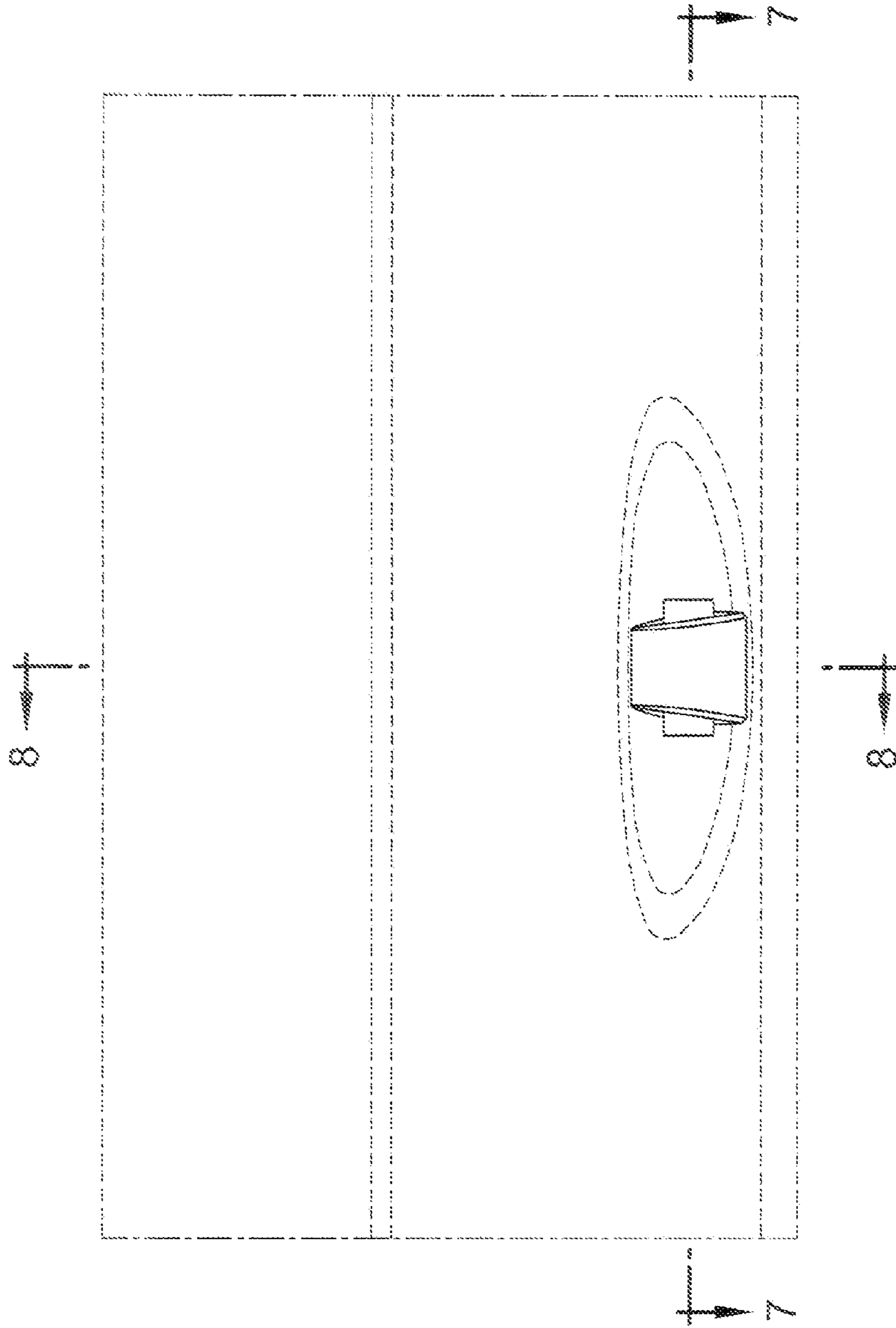


FIG. 2

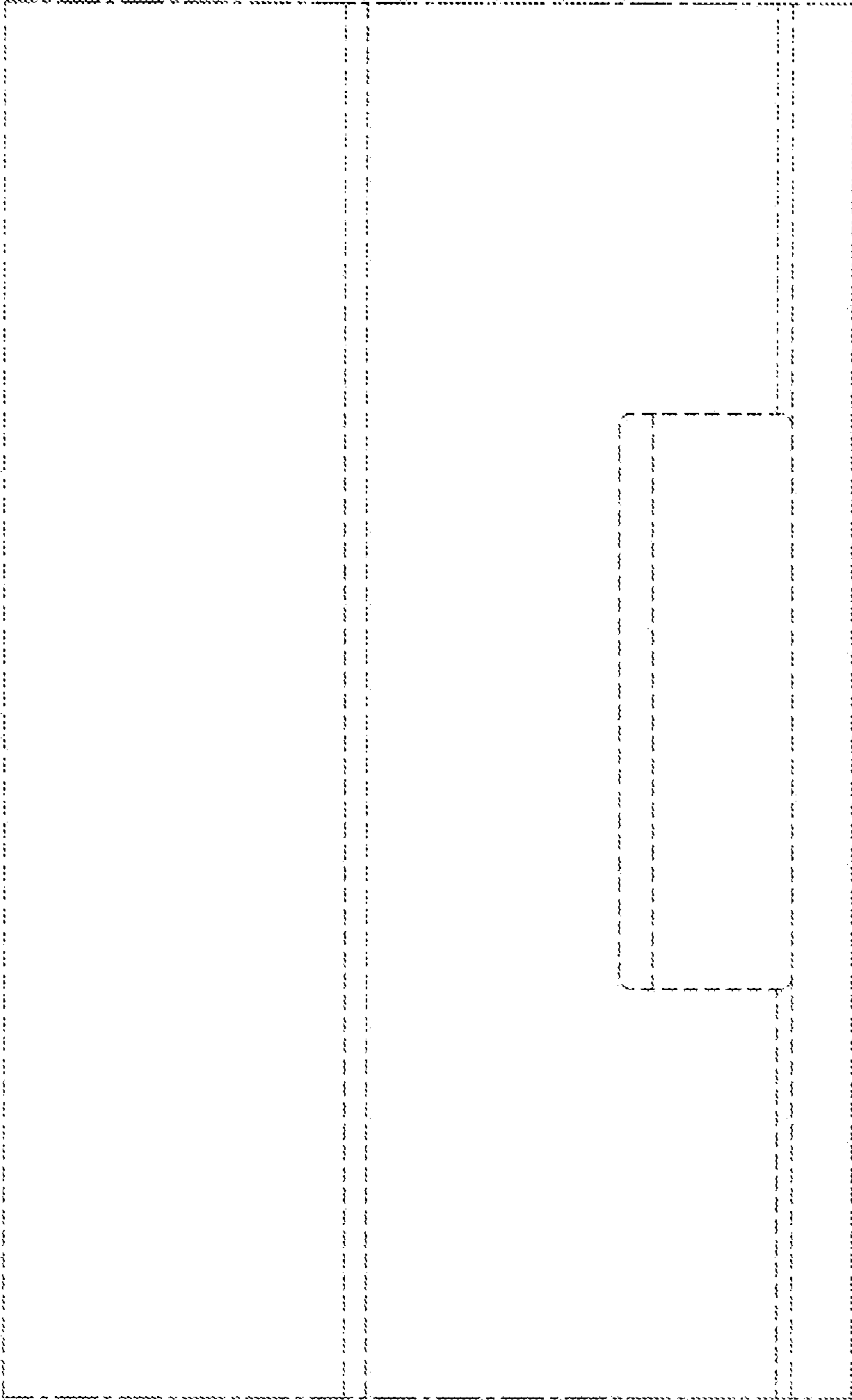


FIG. 3

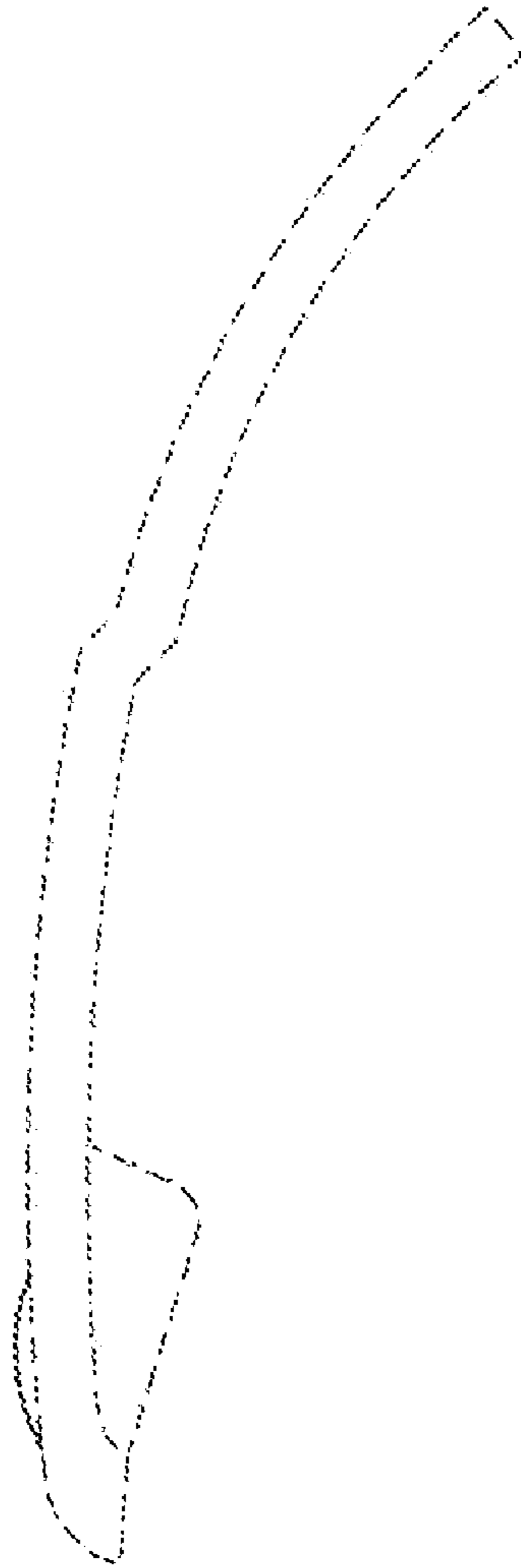


FIG.4

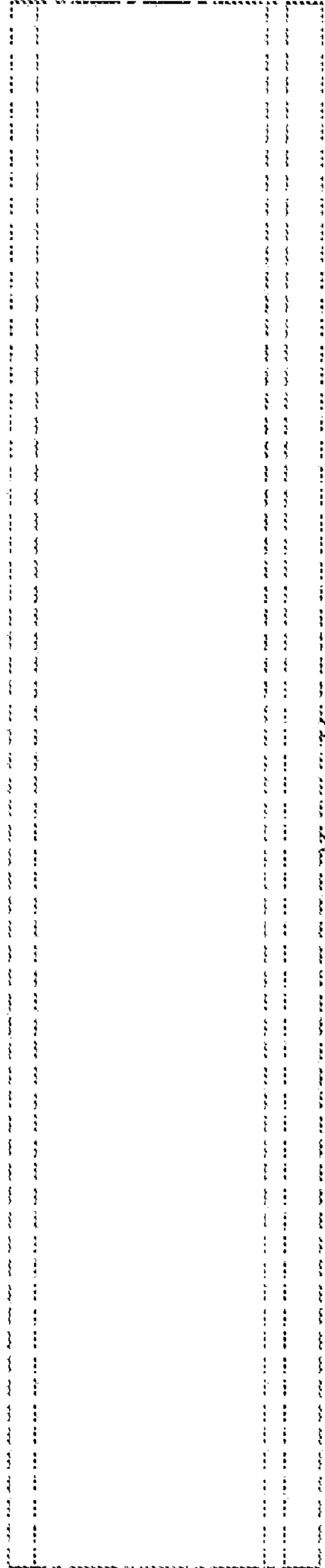


FIG. 5

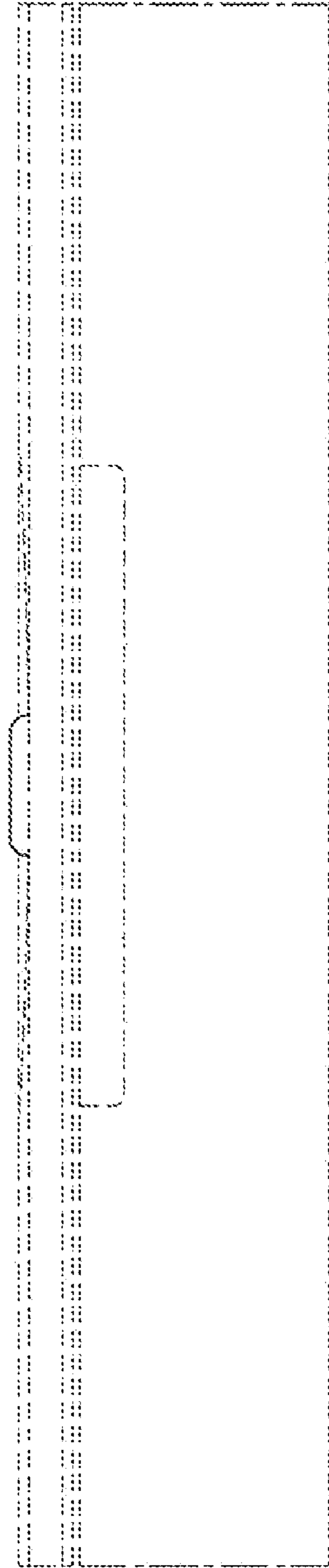


FIG. 6



FIG. 7

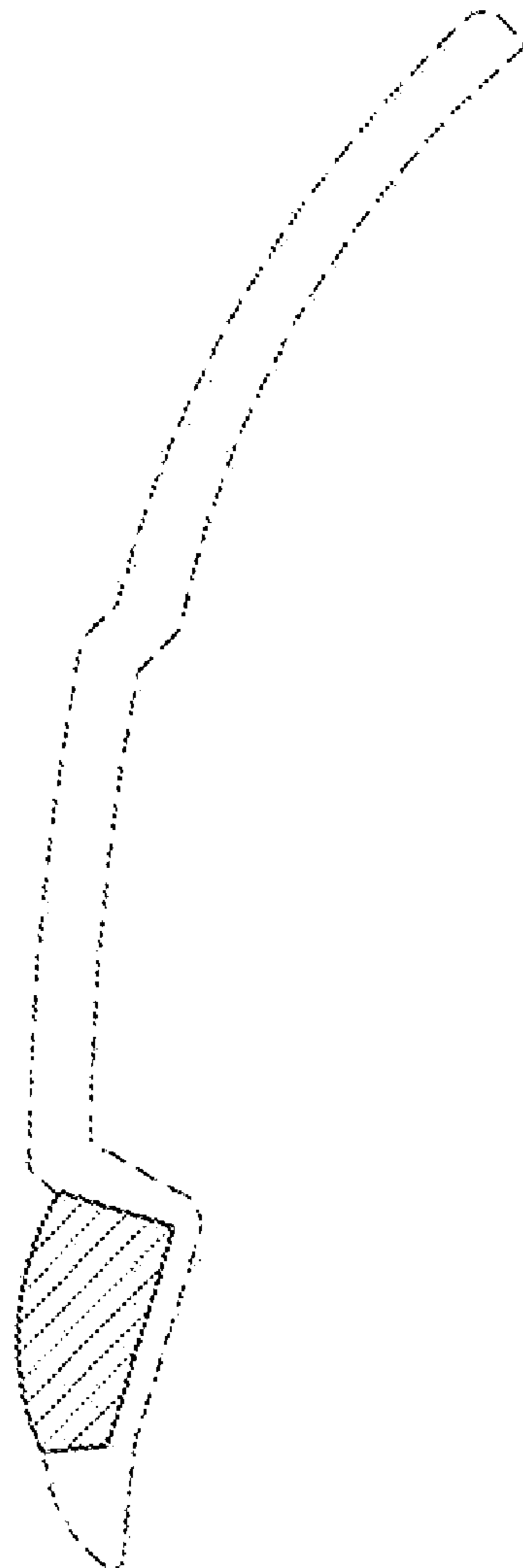


FIG. 8