



US00D616718S

(12) **United States Design Patent**  
**van der Lande**

(10) **Patent No.:** **US D616,718 S**  
(45) **Date of Patent:** **\*\* Jun. 1, 2010**

(54) **GRENADE-SHAPED SCREWDRIVER  
HANDLE WITH BIT COMPARTMENT**

(75) Inventor: **Jan van der Lande**, New York, NY (US)

(73) Assignee: **Kikkerland Design, Inc.**, New York, NY (US)

(\*\*) Term: **14 Years**

(21) Appl. No.: **29/315,984**

(22) Filed: **Aug. 13, 2009**

(51) **LOC (9) Cl.** ..... **08-04**

(52) **U.S. Cl.** ..... **D8/85; D3/210; D3/211**

(58) **Field of Classification Search** ..... D8/82-87,  
D8/107; 81/177.1, 177.4, 436-440, 489;  
D3/210, 211, 270, 271.1; D9/680; D22/112  
See application file for complete search history.

(56) **References Cited**

**U.S. PATENT DOCUMENTS**

1,375,440	A *	4/1921	Anthony	102/261
2,184,284	A *	12/1939	Coban	102/239
2,203,640	A *	6/1940	Hines et al.	102/261
D137,520	S *	3/1944	Trinajstich	D8/71
2,897,630	A *	8/1959	Horowitz et al.	446/401
D202,875	S *	11/1965	Ganske	D8/90
3,865,027	A *	2/1975	Dubno et al.	102/487
D329,367	S *	9/1992	Landy	D8/83
D431,989	S *	10/2000	Lai	D8/83
D468,183	S *	1/2003	Hu	D8/83

(Continued)

**FOREIGN PATENT DOCUMENTS**

GB 2386705 A \* 9/2003

**OTHER PUBLICATIONS**

Hand Grenade Shaped Screwdriver Tool Set. Downloaded Feb. 4, 2010 at [http://www.amazon.com/Hand-Grenade-Shaped-Screwdriver-Novelty/dp/B002UDO7XG/ref=sr\\_1...](http://www.amazon.com/Hand-Grenade-Shaped-Screwdriver-Novelty/dp/B002UDO7XG/ref=sr_1...)\*

(Continued)

*Primary Examiner*—Philip S Hyder  
*Assistant Examiner*—Roselyne Cody  
(74) *Attorney, Agent, or Firm*—Cascio & Zervas

(57) **CLAIM**

The ornamental design for a grenade-shaped screwdriver handle with bit compartment, as shown and described.

**DESCRIPTION**

FIG. 1 is a perspective view of the grenade-shaped screwdriver handle with bit compartment showing my design with a key chain shown in phantom lines;

FIG. 2 is a front view thereof;

FIG. 3 is a right side view thereof, the side opposite being a mirror image;

FIG. 4 is a top plan view thereof;

FIG. 5 is a bottom plan view thereof;

FIG. 6 is a rear view thereof;

FIG. 7 is an exploded right side view thereof illustrating the top cover being separated from the lower compartment;

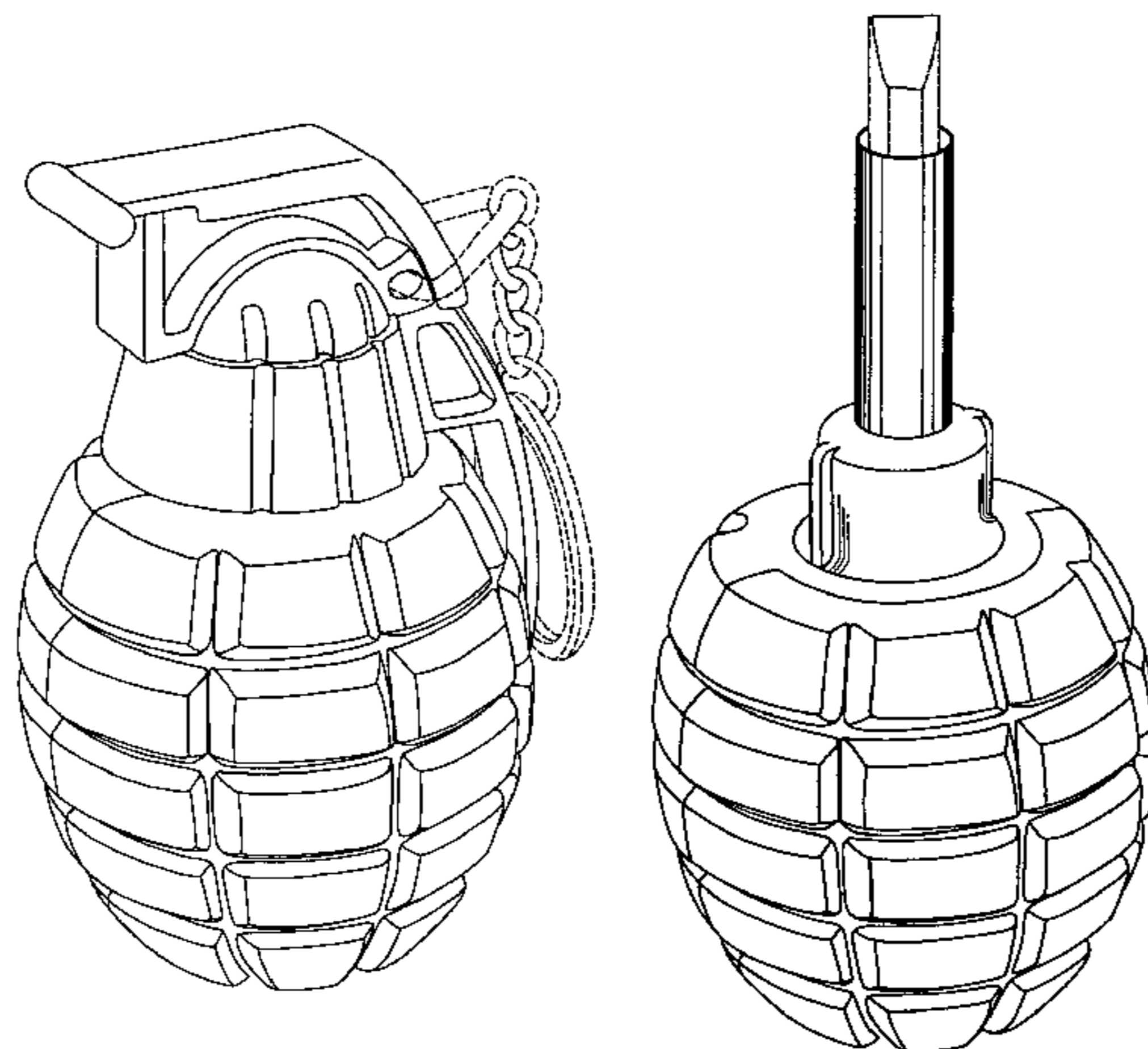
FIG. 8 is a rear view of the invention of FIG. 7 in an open position, the top cover is not shown for ease of illustration;

FIG. 9 is a front view of the invention of FIG. 7 in an open position with screwdriver bits, shown in phantom lines, inside, and the top cover is not shown for ease of illustration; and,

FIG. 10 is perspective view of the invention of FIG. 7 with a screwdriver holder and a screwdriver bit in place, the screwdriver bit being shown in phantom lines held in the holder, and the top cover is not shown for ease of illustration.

Phantom lines shown in FIGS. 1, 9 and 10 are illustrative of environment and form no part of the claimed design. Additional phantom lines in FIG. 9 describe portions of the interior of the design that also form no part of the claim.

**1 Claim, 5 Drawing Sheets**



# US D616,718 S

Page 2

---

## U.S. PATENT DOCUMENTS

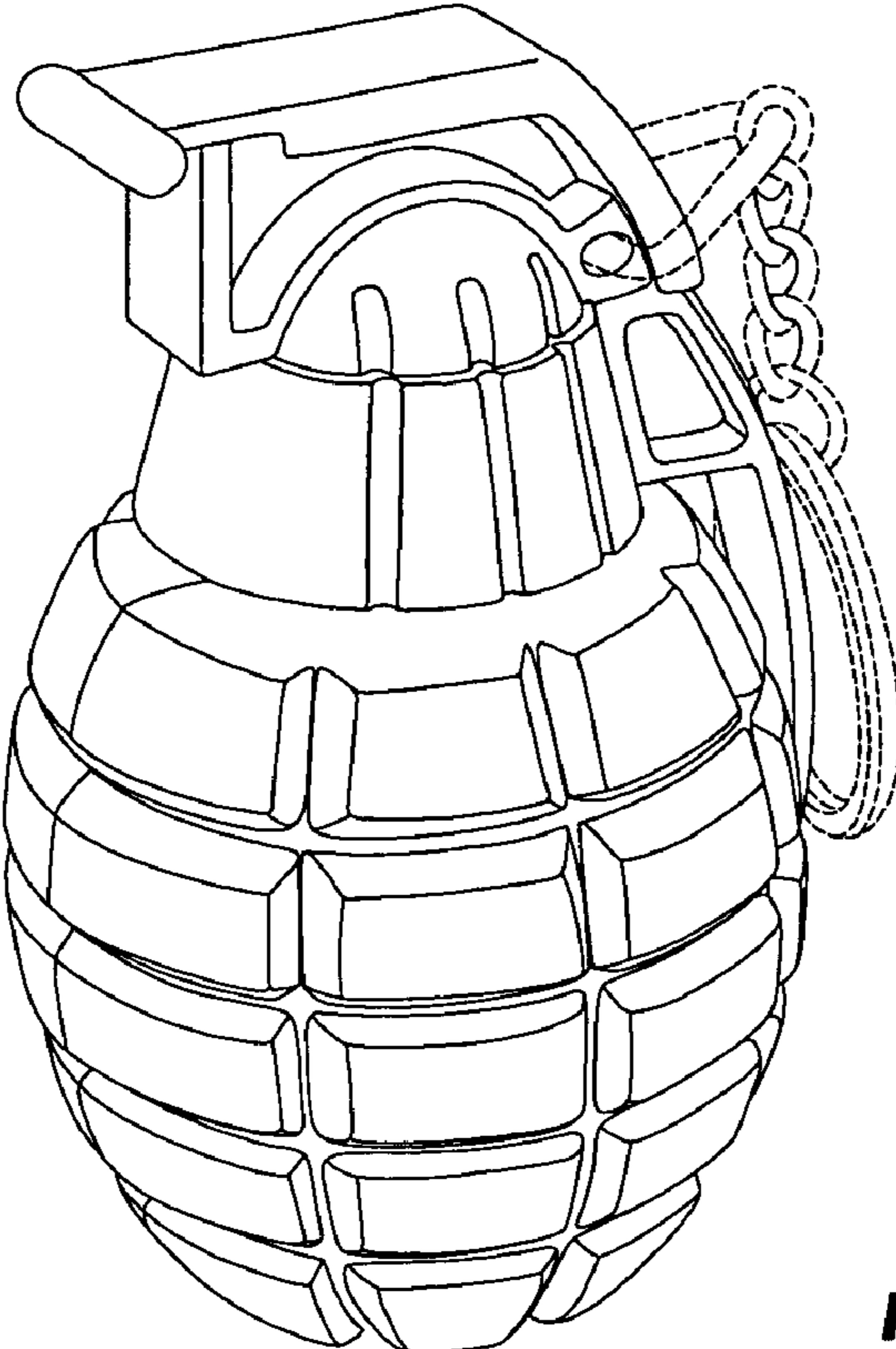
D472,800 S \* 4/2003 Levanen et al. .... D9/680  
D474,097 S \* 5/2003 Hsiao ..... D8/107  
D510,247 S \* 10/2005 White ..... D8/68  
D535,170 S \* 1/2007 Caplan ..... D8/82  
D535,540 S \* 1/2007 Caplan ..... D8/82  
7,338,343 B2 \* 3/2008 Siu et al. .... 446/473

2007/0249262 A1\* 10/2007 Siu et al. .... 446/473

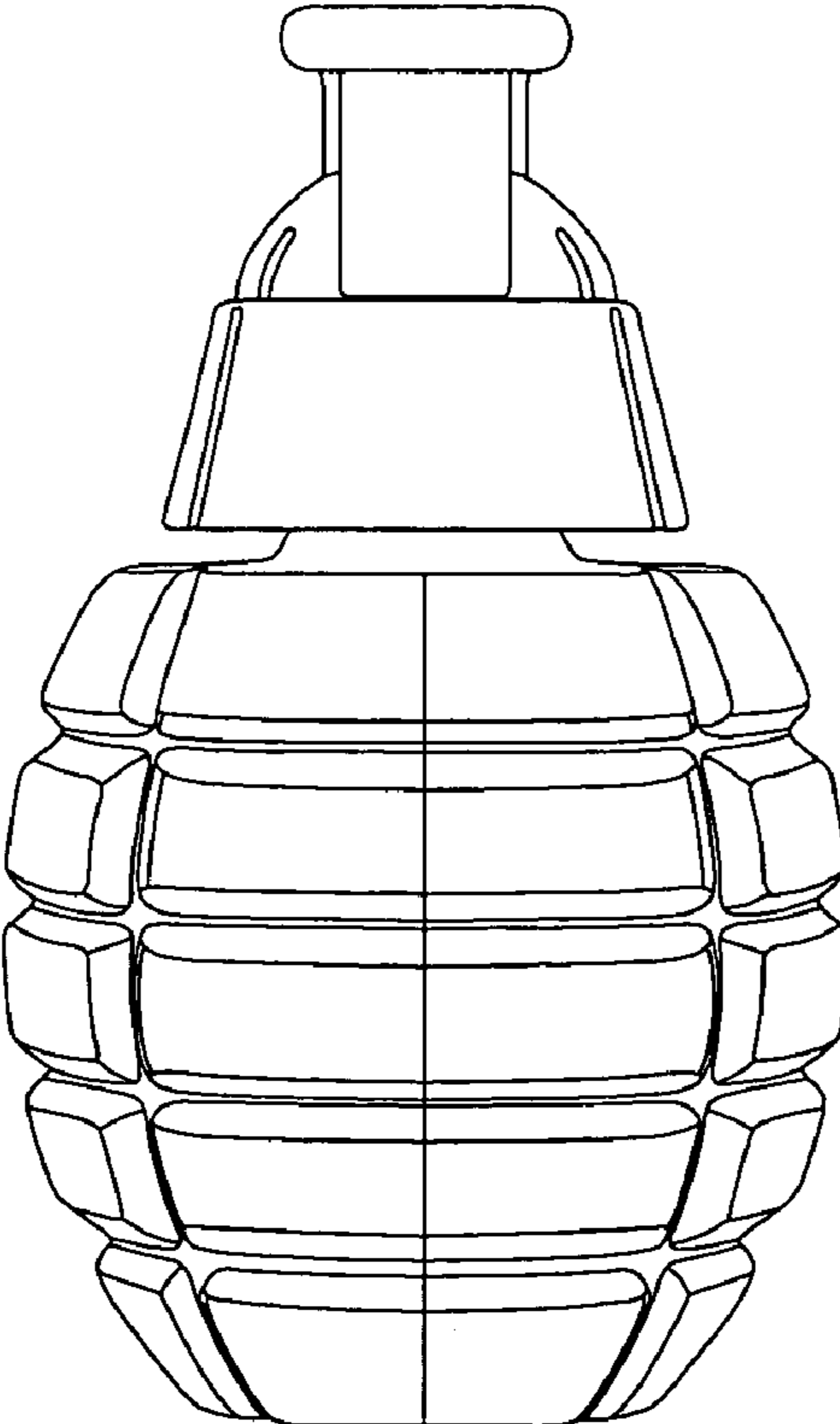
## OTHER PUBLICATIONS

Kikkerland Grenade Screwdriver Set. Downloaded Mar. 11, 2010 at  
<http://www.allmodern.com/Kikkerland-CD06-KKL1087.html>.\*

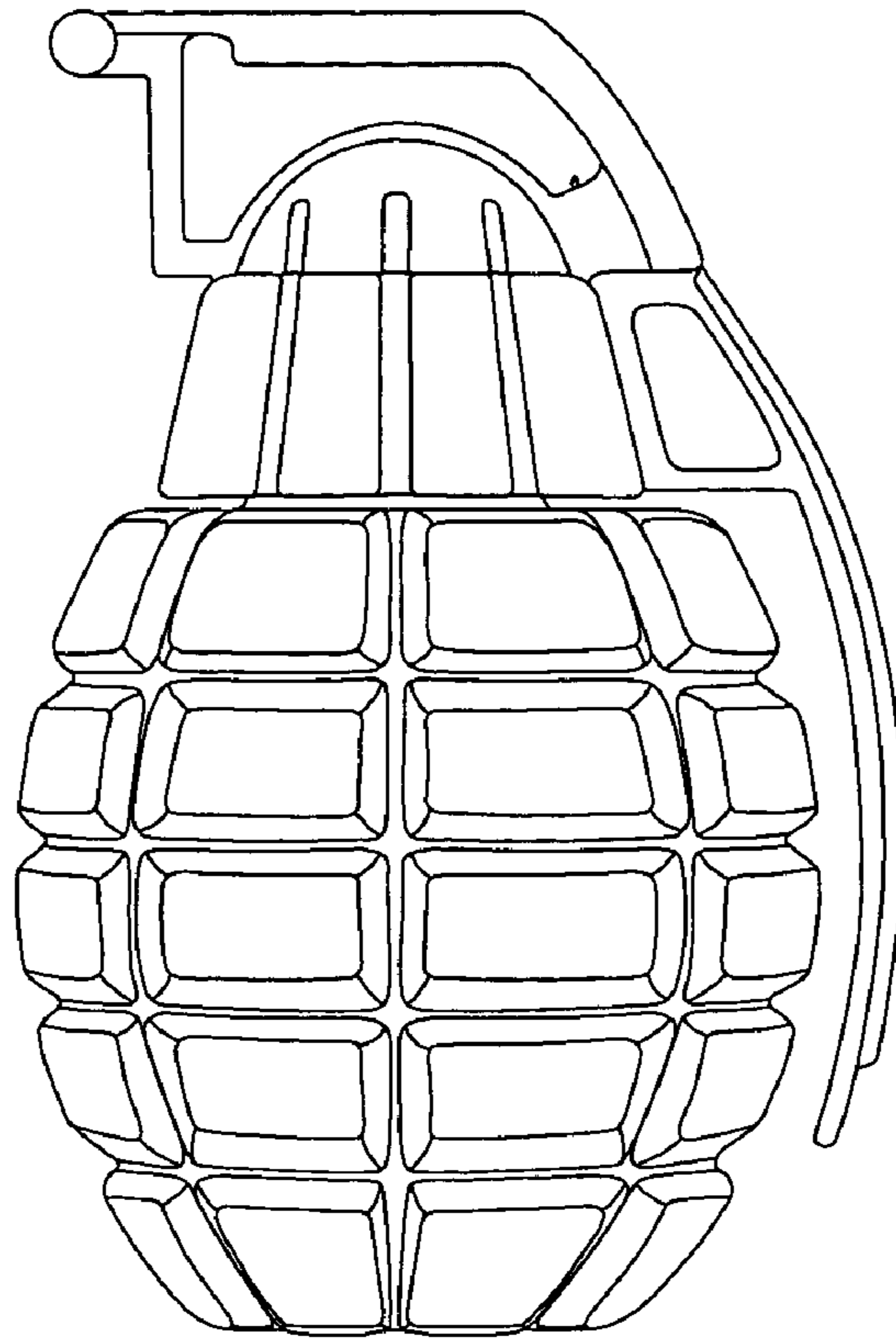
\* cited by examiner



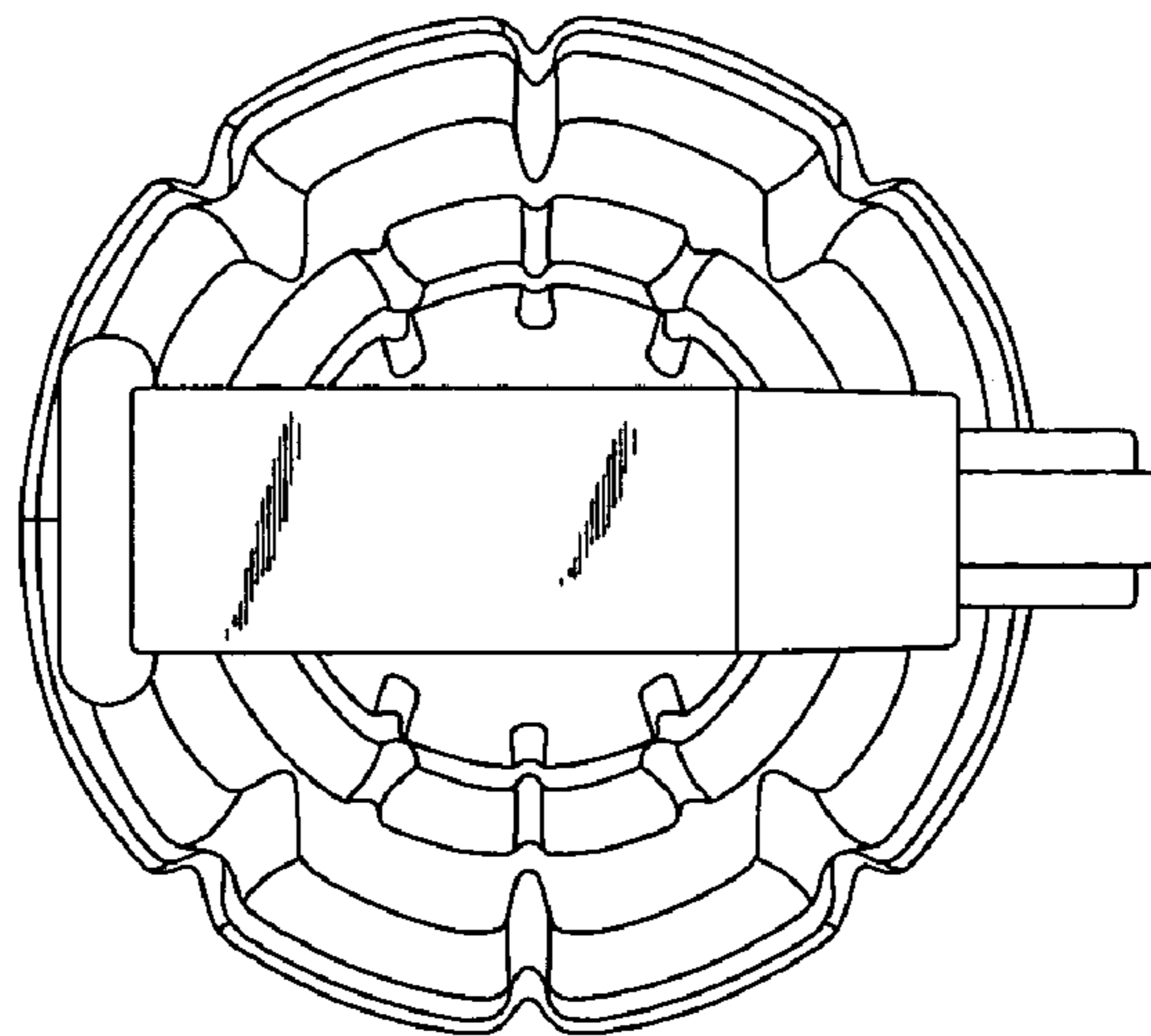
**FIG. 1**



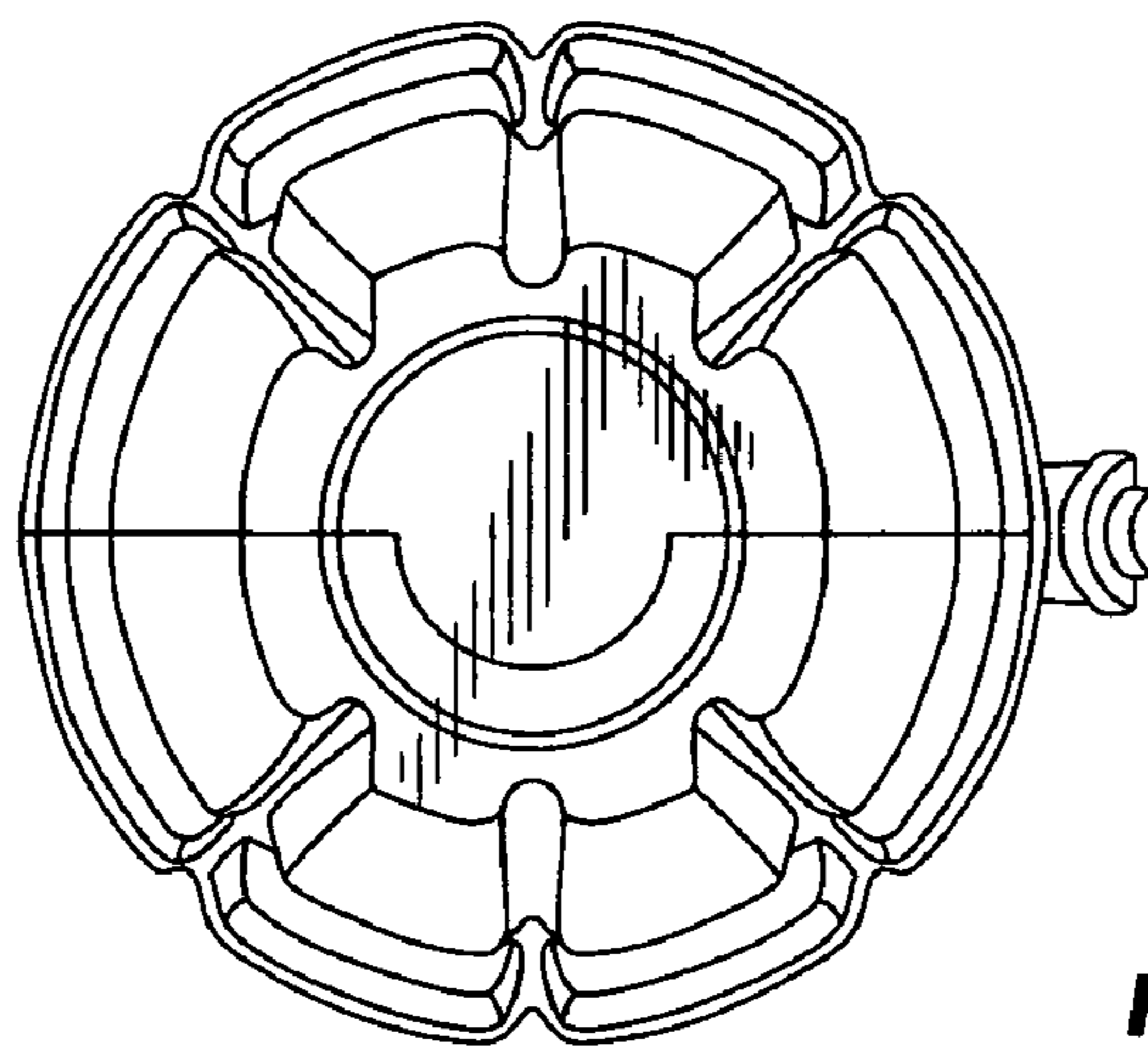
**FIG. 2**



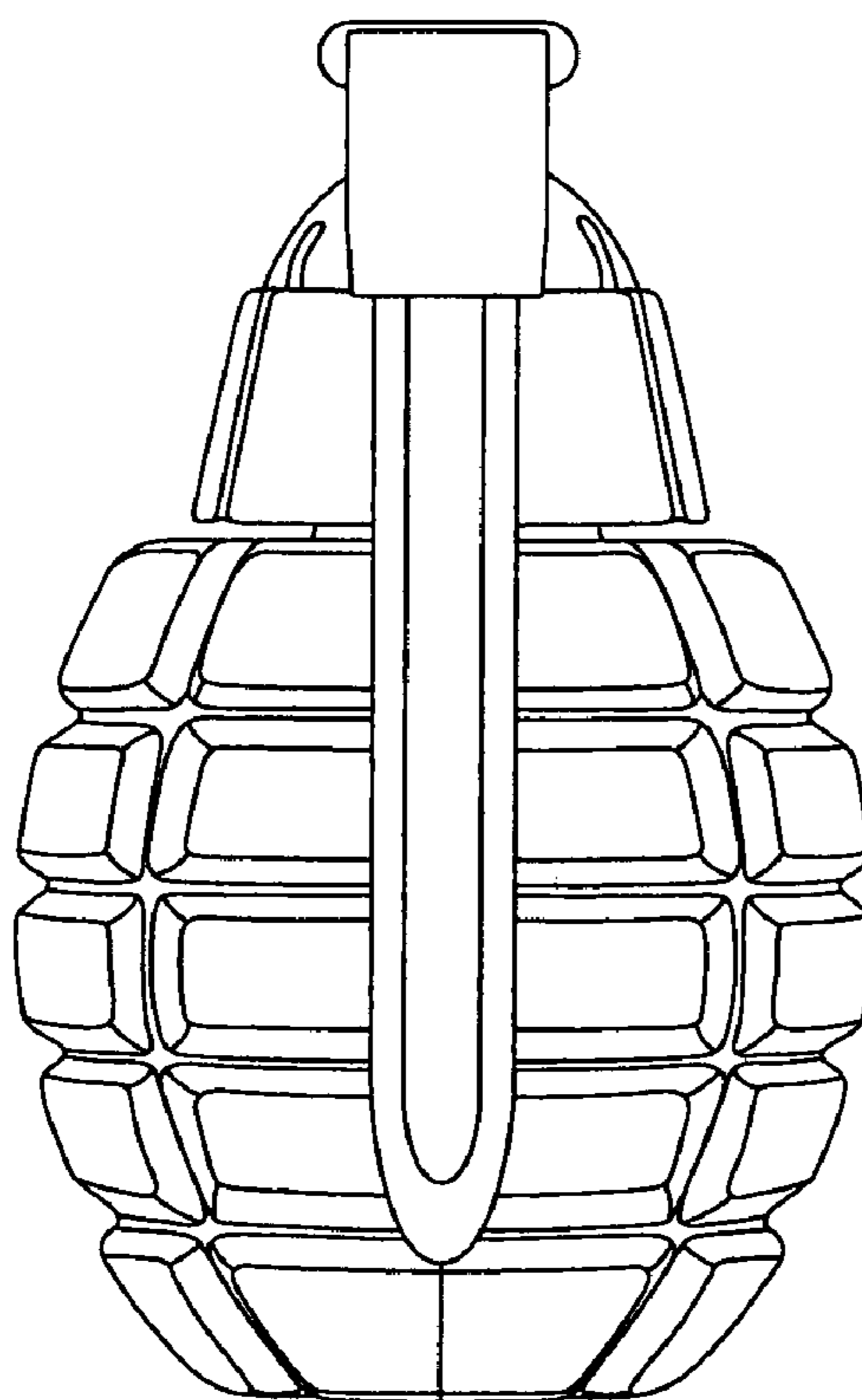
**FIG. 3**



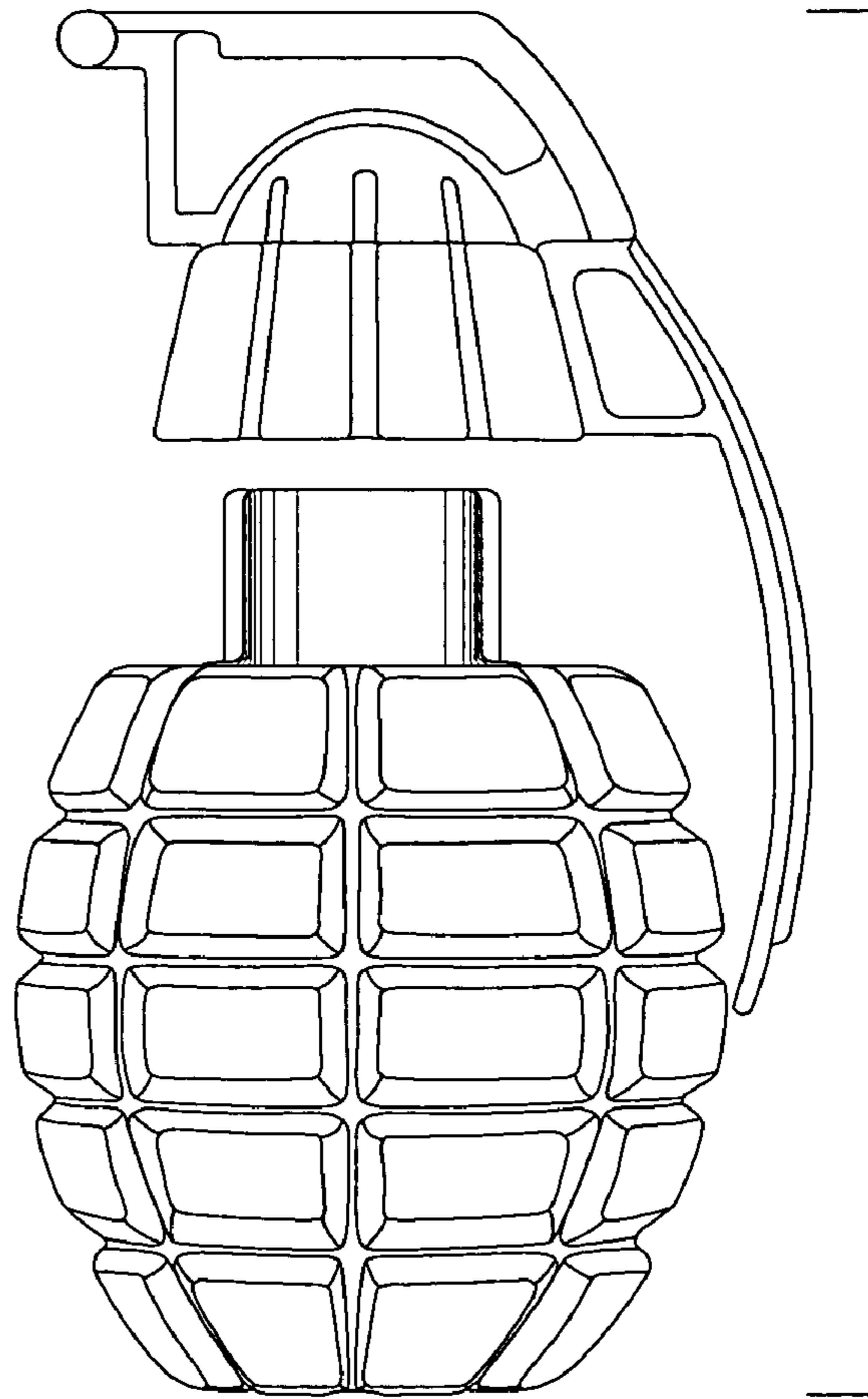
**FIG. 4**



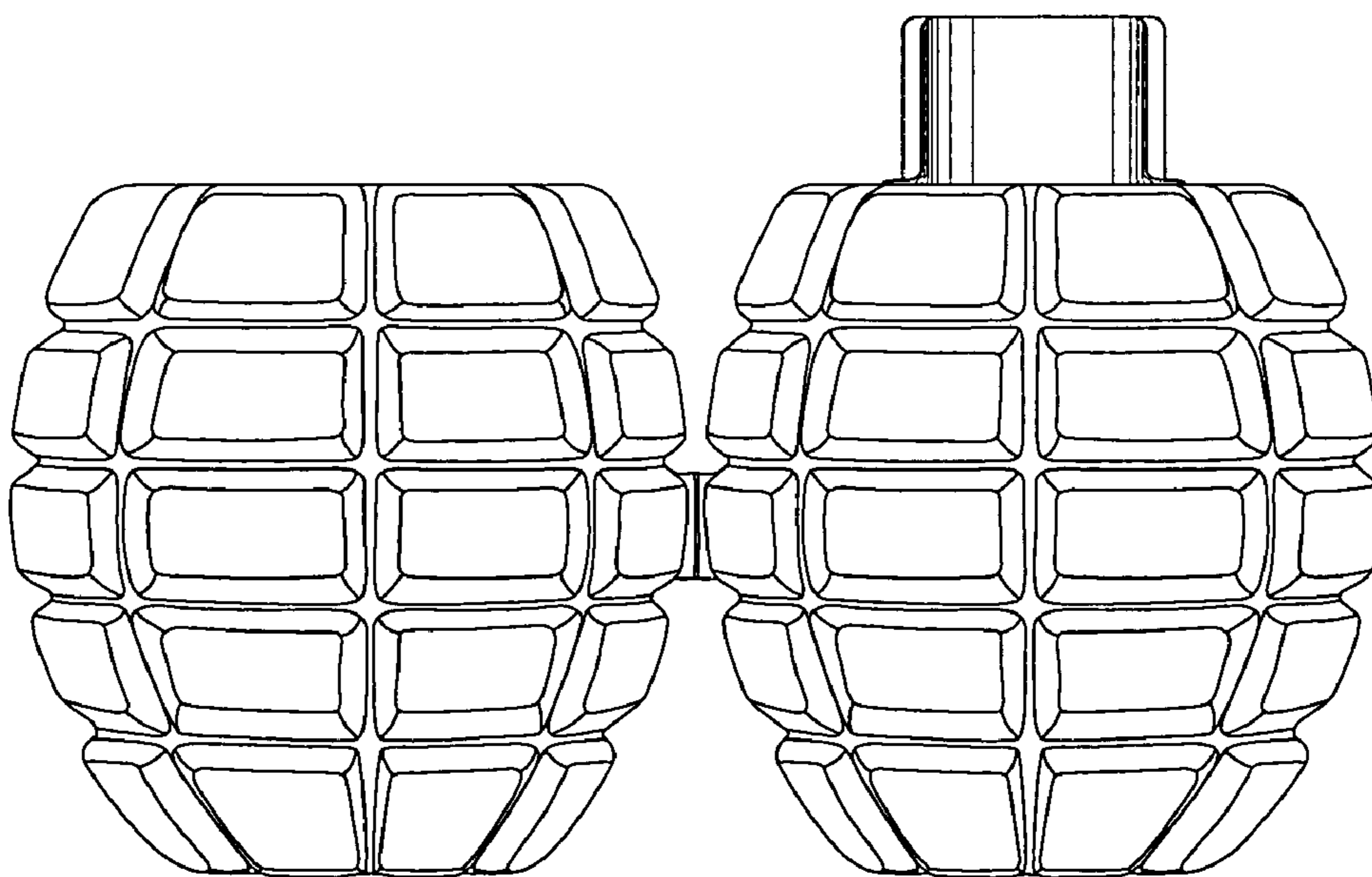
**FIG. 5**



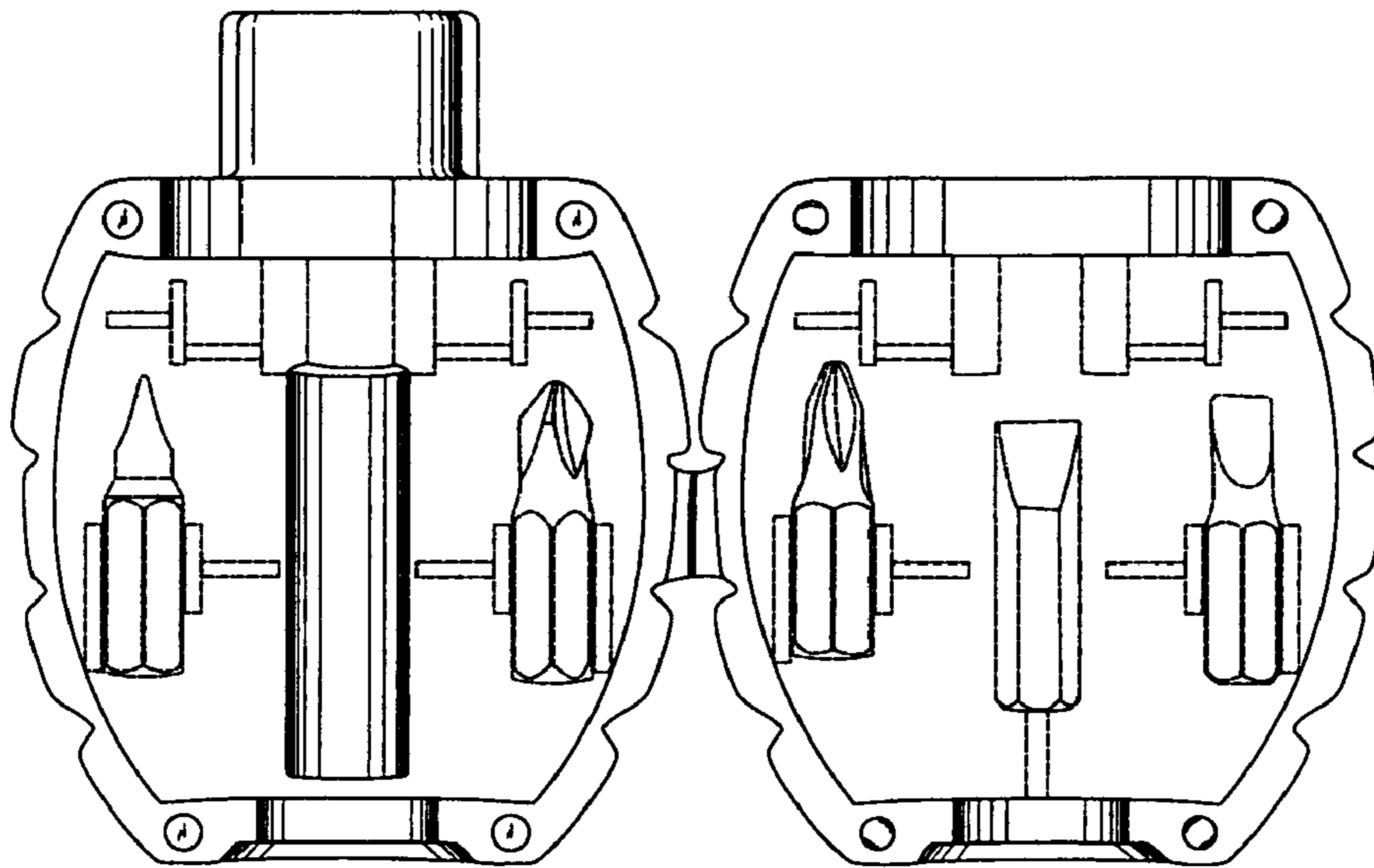
**FIG. 6**



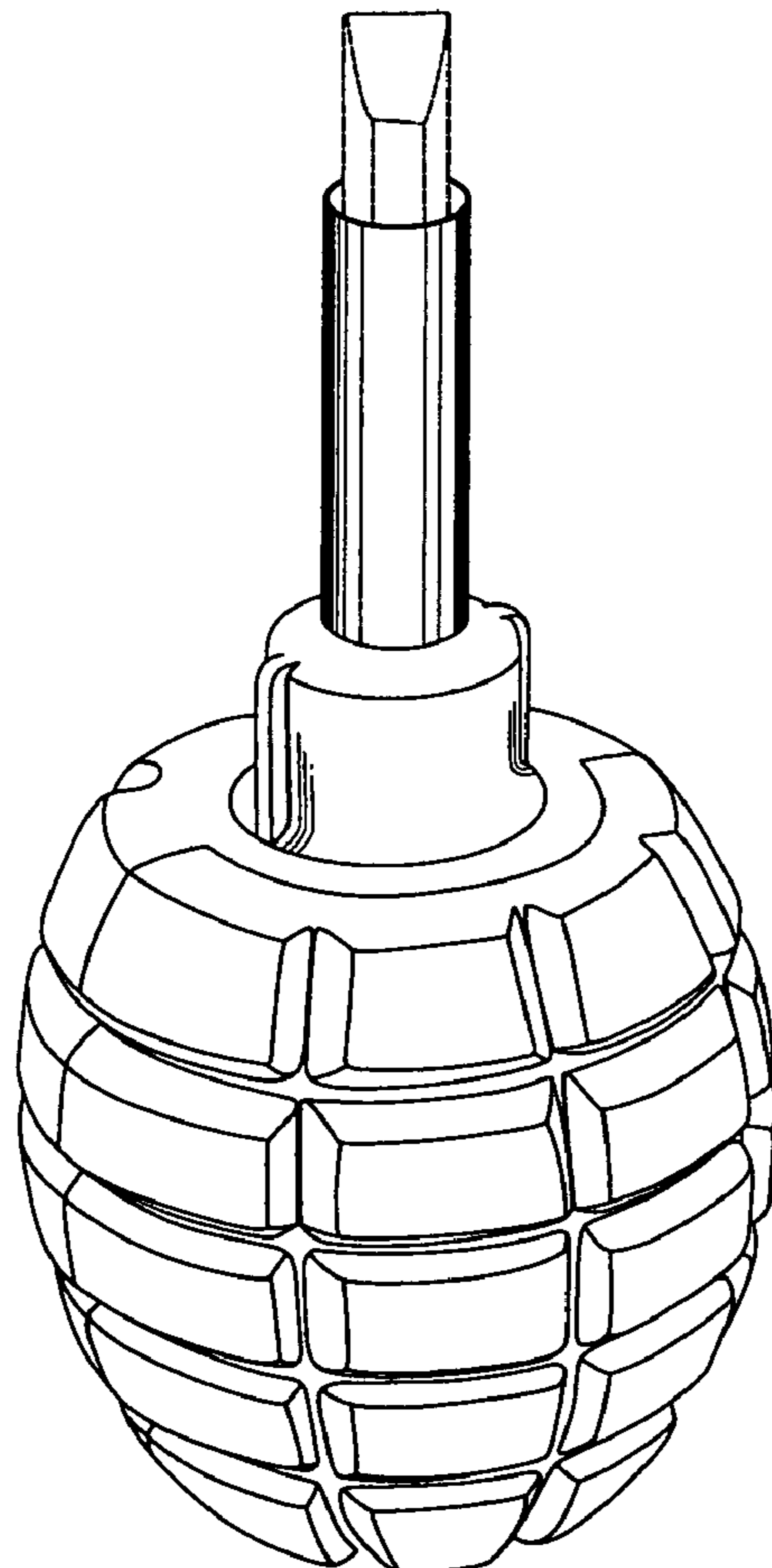
**FIG. 7**



**FIG. 8**



**FIG. 9**



**FIG. 10**