



US00D616717S

(12) **United States Design Patent**  
**Yaschur**

(10) **Patent No.:** **US D616,717 S**  
(45) **Date of Patent:** **\*\* Jun. 1, 2010**

(54) **IMPACT WRENCH**

(75) Inventor: **Jefferey C. Yaschur**, Doylestown, PA (US)

(73) Assignee: **Ingersoll-Rand Company**, Montvale, NJ (US)

(\*\*) Term: **14 Years**

(21) Appl. No.: **29/342,509**

(22) Filed: **Aug. 26, 2009**

(51) **LOC (9) Cl.** ..... **08-04**

(52) **U.S. Cl.** ..... **D8/68**

(58) **Field of Classification Search** ..... D8/14.1,  
D8/61, 62, 63, 64, 65, 66, 67, 68, 69, 70;  
81/57.11, 429, 454, 455, 456, 469, 489; 173/13,  
173/104, 114, 168, 169, 170, 171, 178, 201,  
173/211, 213, 217; 408/20, 124, 125, 234,  
408/241 R; 451/358; 310/50; 227/8, 113,  
227/114, 120, 130, 136, 142

See application file for complete search history.

(56) **References Cited**

**U.S. PATENT DOCUMENTS**

3,352,368	A	11/1967	Maffey Jr.
D256,980	S	9/1980	Adams et al.
D339,726	S	9/1993	Bruno et al.
5,293,747	A	3/1994	Geiger
5,346,024	A	9/1994	Geiger et al.
D388,678	S	1/1998	Bantly et al.

(Continued)

**OTHER PUBLICATIONS**

Photographs of pneumatic tools, publicly available prior to Apr. 18, 2006.

*Primary Examiner*—Antoine D Davis

(74) *Attorney, Agent, or Firm*—Michael Best & Friedrich LLP

(57) **CLAIM**

The ornamental design for an impact wrench, as shown and described.

**DESCRIPTION**

FIG. 1 is a perspective view of a first embodiment of the impact wrench.

FIG. 2 is a left side view of the first embodiment.

FIG. 3 is a right side view of the first embodiment.

FIG. 4 is a top view of the first embodiment.

FIG. 5 is a bottom view of the first embodiment.

FIG. 6 is a front view of the first embodiment.

FIG. 7 is a rear view of the first embodiment.

FIG. 8 is a perspective view of a second embodiment the impact wrench.

FIG. 9 is a left side view of the second embodiment.

FIG. 10 is a right side view of the second embodiment.

FIG. 11 is a top view of the second embodiment.

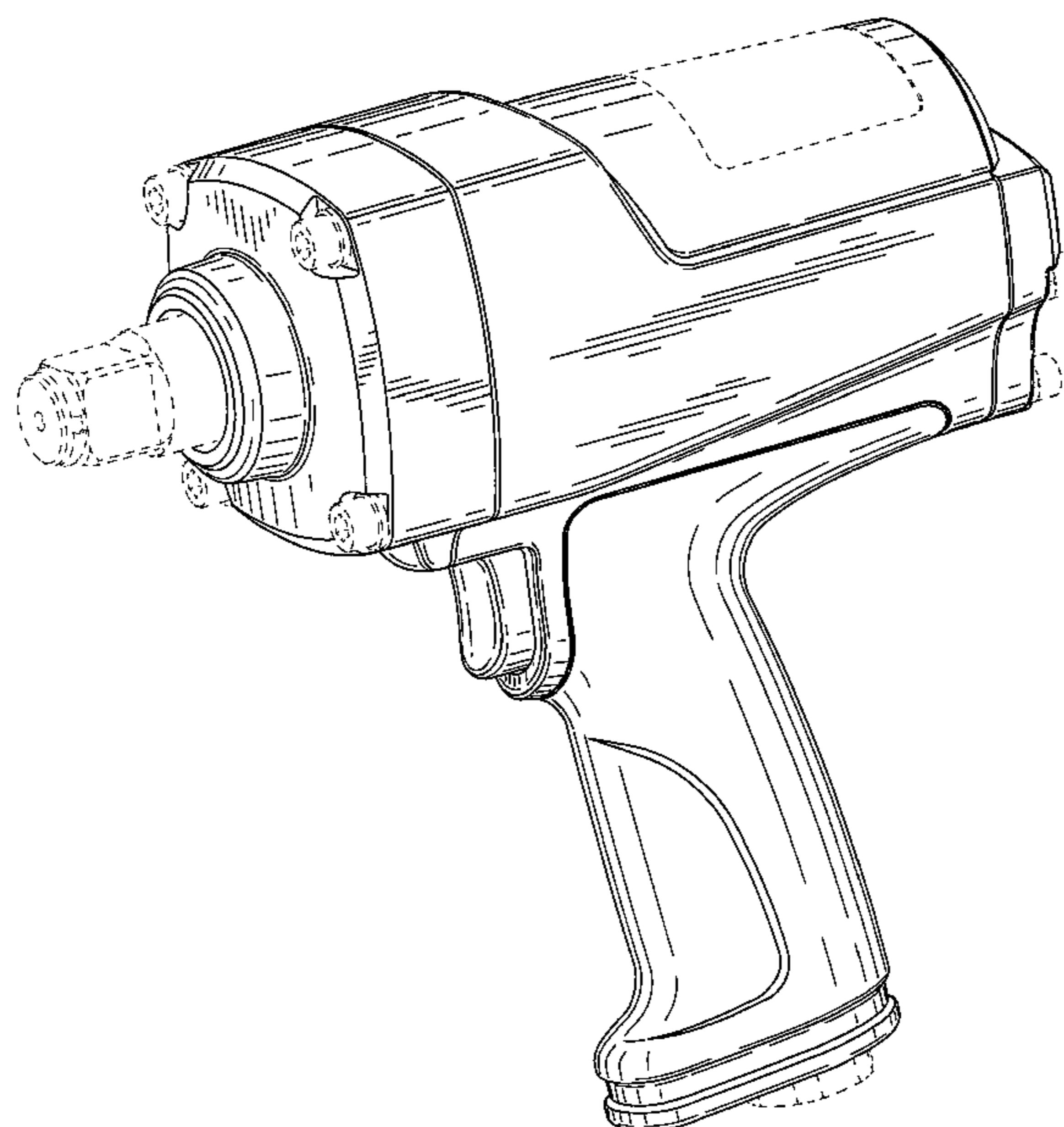
FIG. 12 is a bottom view of the second embodiment.

FIG. 13 is a front view of the second embodiment; and,

FIG. 14 is a rear view of the second embodiment.

The broken line showing of the environment is for illustrative purposes only and forms no part of the claimed design.

**1 Claim, 14 Drawing Sheets**



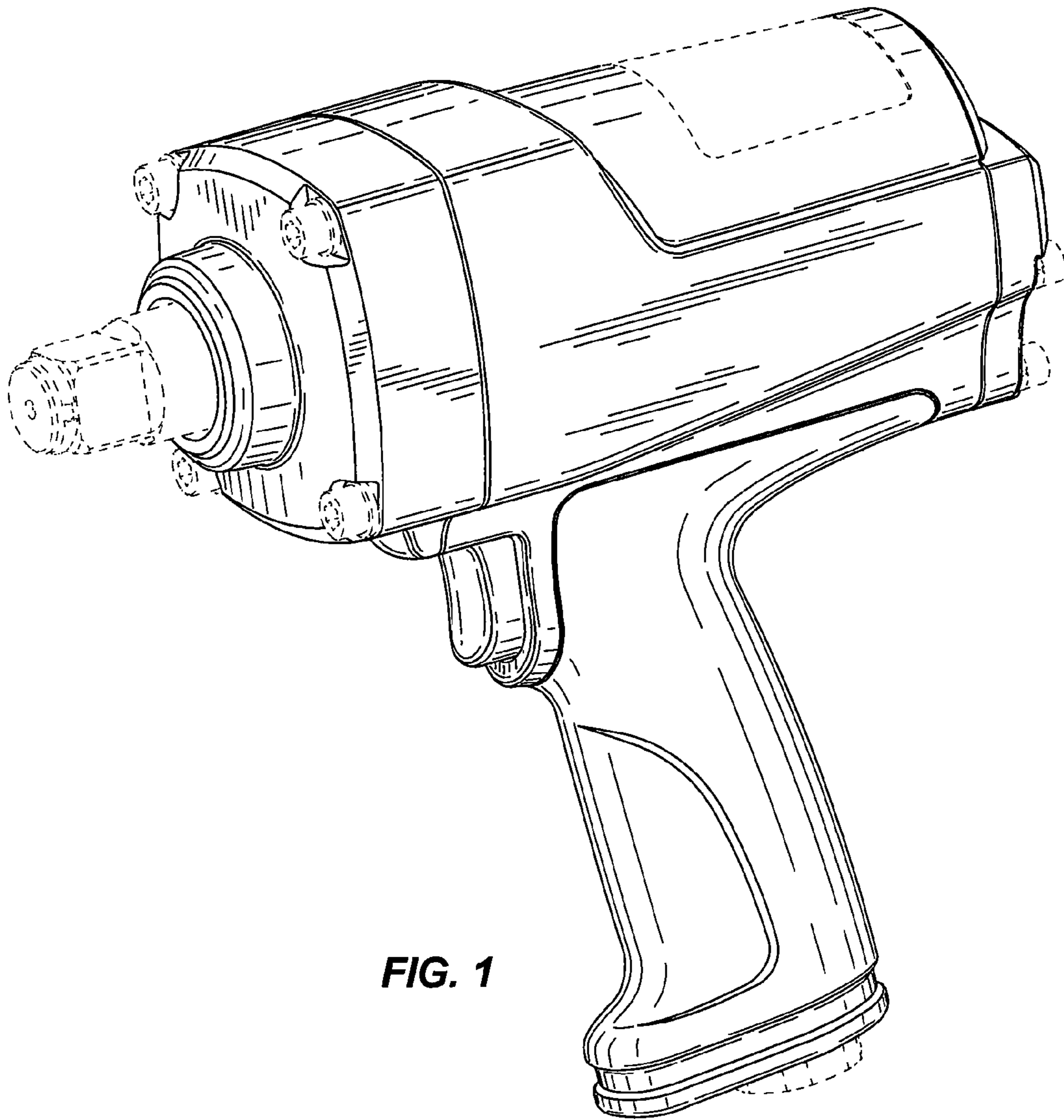
# US D616,717 S

Page 2

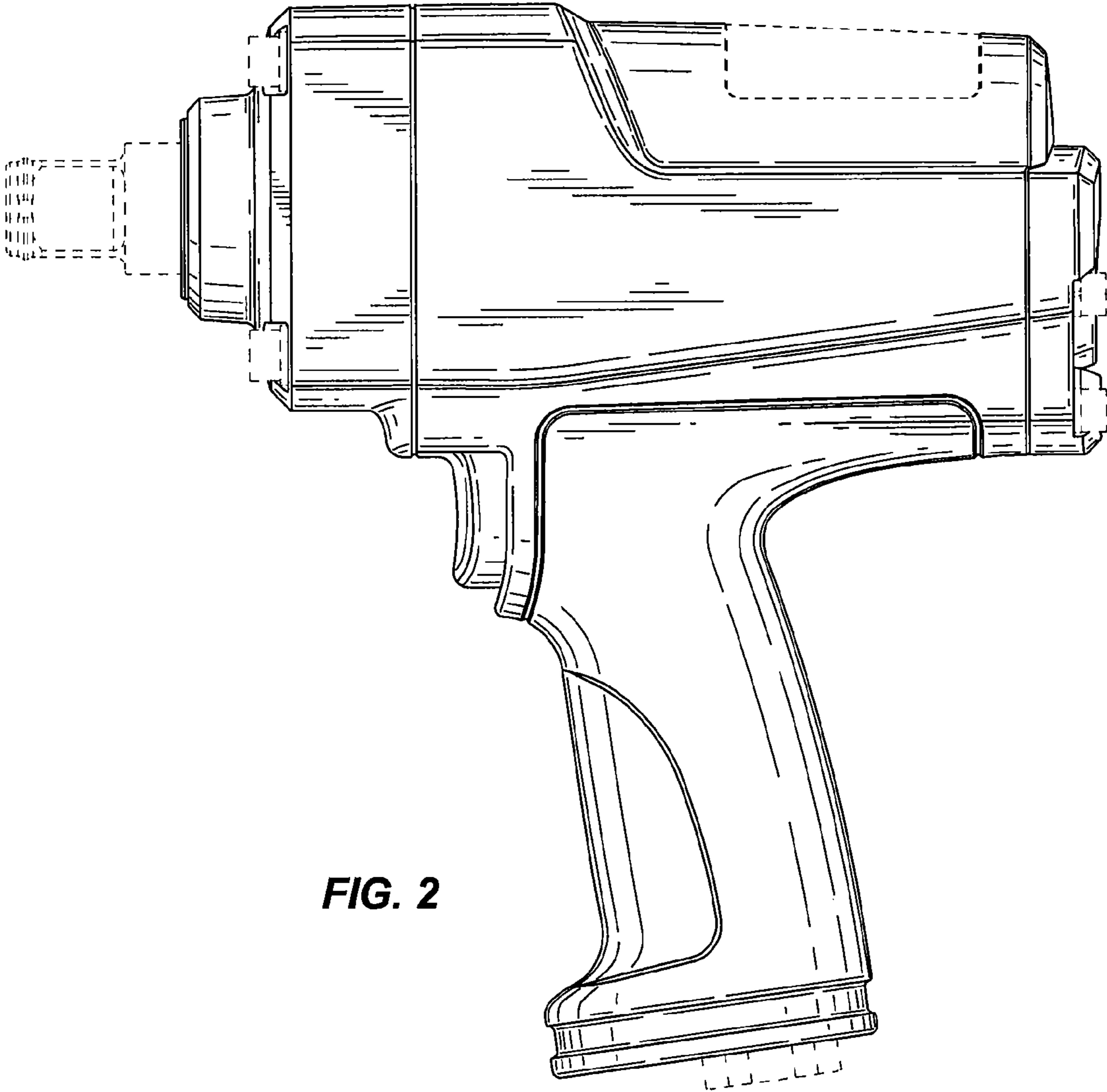
## U.S. PATENT DOCUMENTS

D393,580 S	4/1998	Bantly et al.	D497,529 S	10/2004	Price
D400,771 S	11/1998	Smith et al.	D497,787 S	11/2004	Liao
D403,564 S	1/1999	Izumisawa	6,863,134 B2	3/2005	Seith et al.
5,906,244 A	5/1999	Thompson et al.	6,883,619 B1	4/2005	Huang
D434,297 S	11/2000	Iritani et al.	6,889,778 B2	5/2005	Colangelo, III et al.
D434,958 S	12/2000	Izumisawa	D519,807 S	5/2006	Chen
6,158,459 A	12/2000	Chang	D521,339 S *	5/2006	Chen ..... D8/68
D436,818 S	1/2001	Izumisawa	D534,047 S *	12/2006	Chi ..... D8/68
D437,760 S	2/2001	Izumisawa	D535,536 S *	1/2007	Ghode et al. .... D8/68
D441,628 S *	5/2001	Bass et al. .... D8/68	7,174,971 B1	2/2007	Chen
6,338,389 B1	1/2002	Chang	7,191,849 B2	3/2007	Chen
D454,475 S	3/2002	Taga	D540,134 S *	4/2007	Clay ..... D8/68
D458,824 S	6/2002	Chen	D540,640 S *	4/2007	Clay ..... D8/68
D461,110 S	8/2002	Izumisawa	7,311,155 B2	12/2007	Chang et al.
D465,982 S	11/2002	Taga	D572,991 S *	7/2008	Chen ..... D8/68
6,491,111 B1	12/2002	Livingston et al.	D590,226 S *	4/2009	Chu ..... D8/68
D469,673 S	2/2003	Sliker et al.	D590,680 S *	4/2009	Cole et al. .... D8/68
D472,782 S	4/2003	Pusateri et al.	D590,681 S	4/2009	Palermo et al.
6,561,284 B2	5/2003	Taga	D591,127 S *	4/2009	Taga ..... D8/68
D476,210 S	6/2003	Chen	D610,888 S *	3/2010	Izumisawa et al. .... D8/68
D477,512 S	7/2003	Liu et al.	2004/0177980 A1	9/2004	Lucas
6,708,779 B2	3/2004	Taga	2005/0161243 A1	7/2005	Livingston et al.
6,782,956 B1	8/2004	Seith et al.	2006/0090914 A1	5/2006	Lin et al.
D496,243 S	9/2004	Huang	2007/0289760 A1	12/2007	Sterling et al.
			2008/0066937 A1	3/2008	Kobayashi

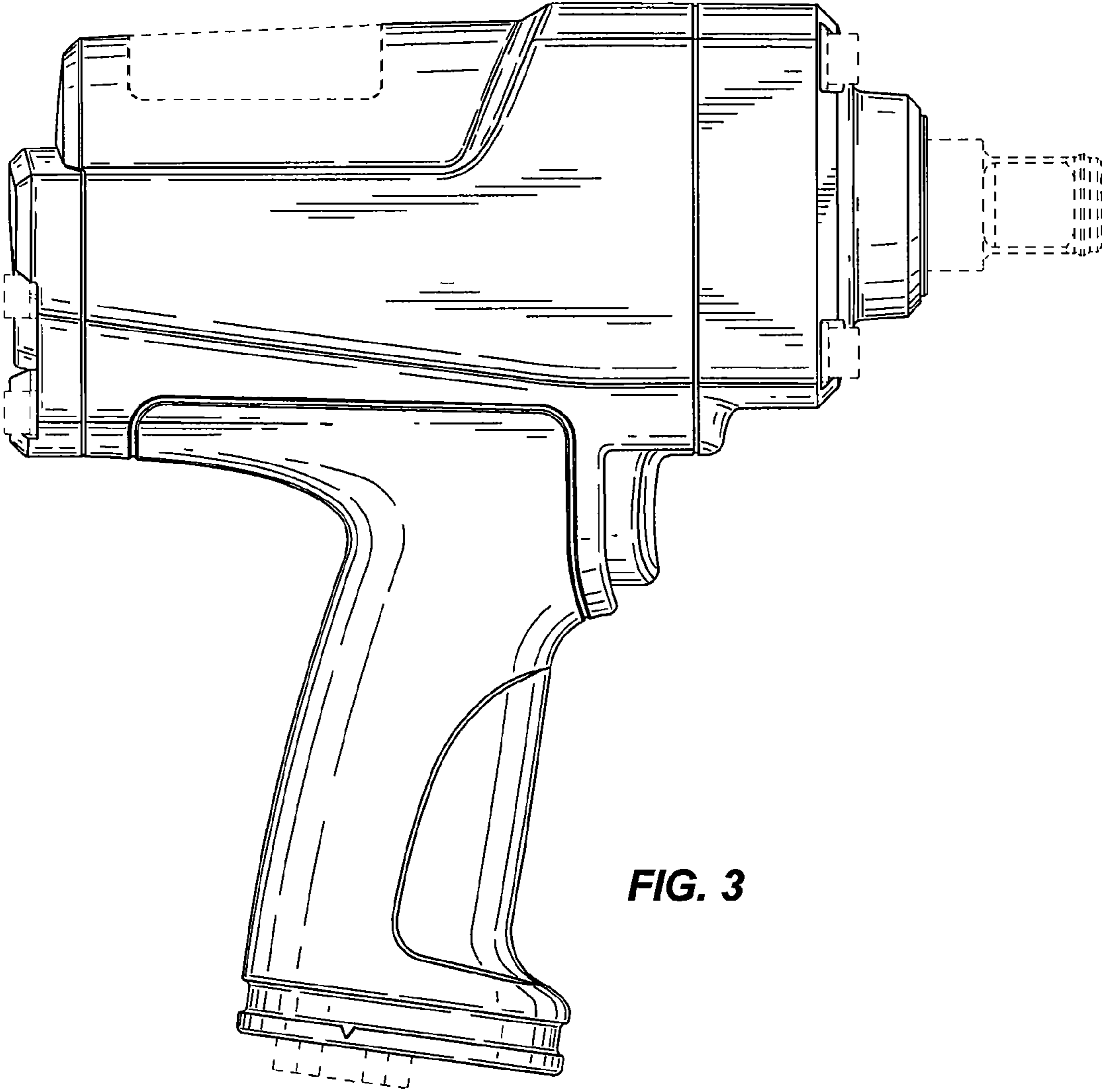
\* cited by examiner



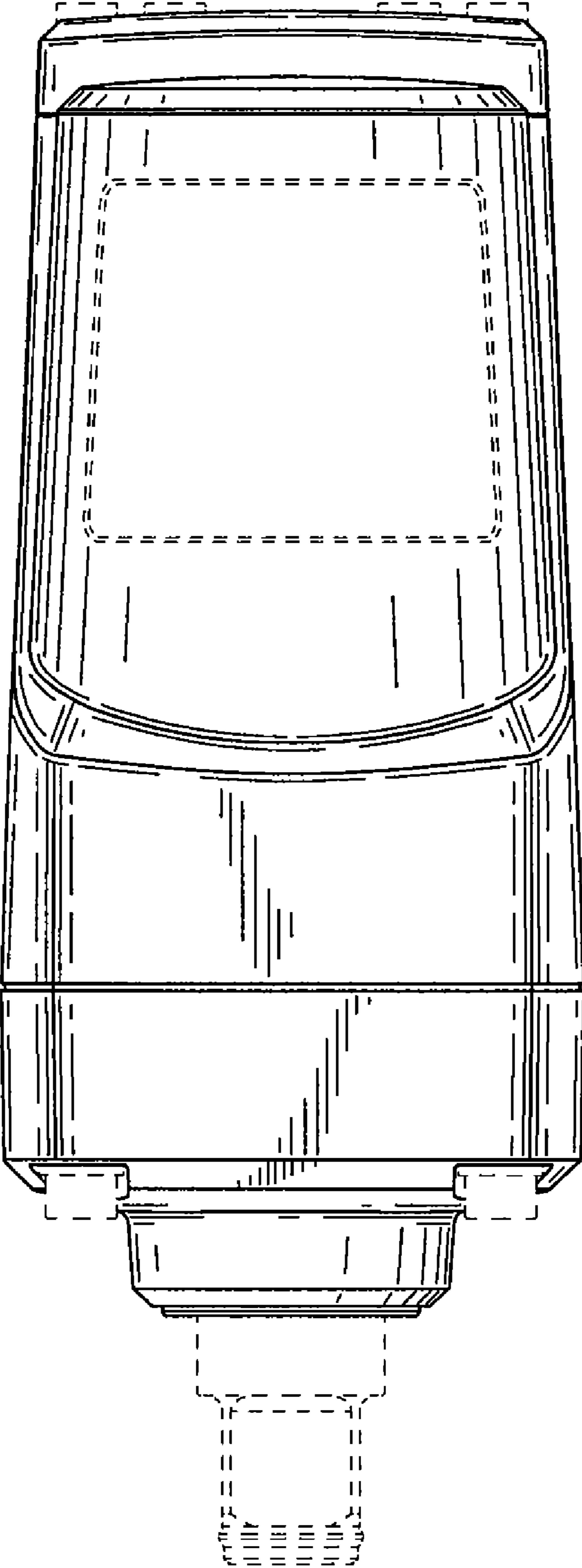
**FIG. 1**



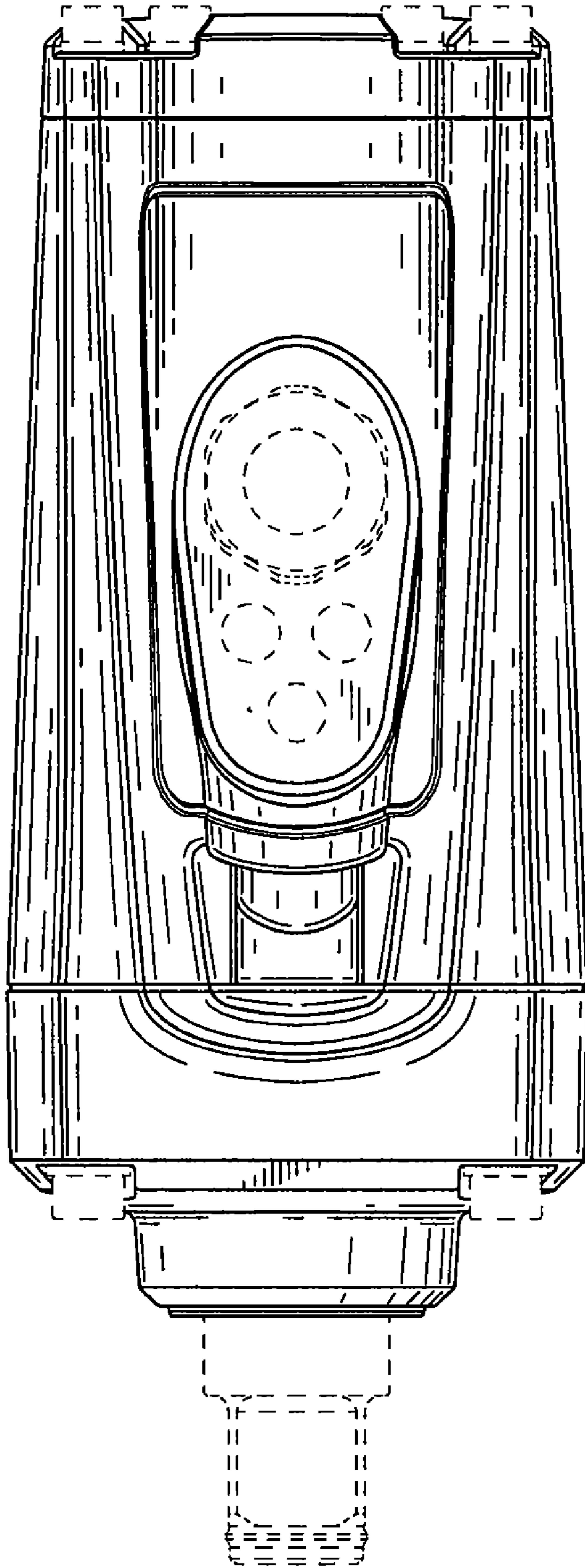
**FIG. 2**



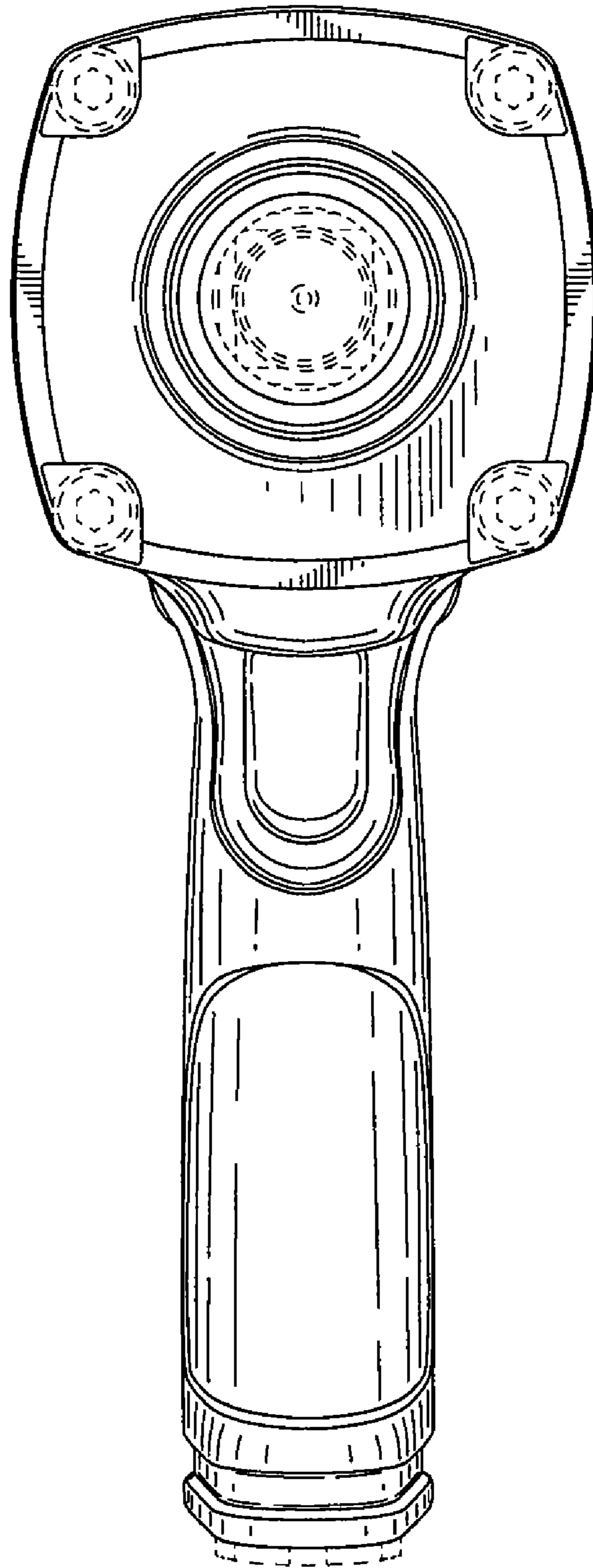
**FIG. 3**



**FIG. 4**

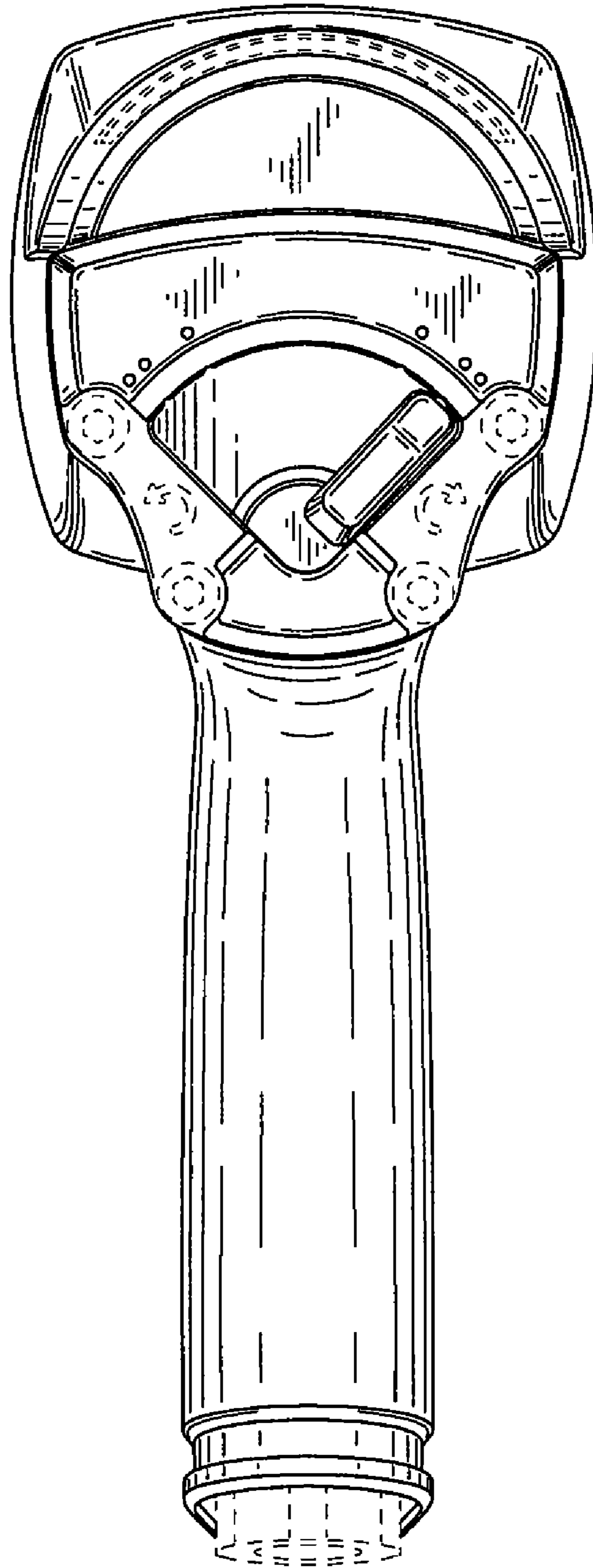


**FIG. 5**

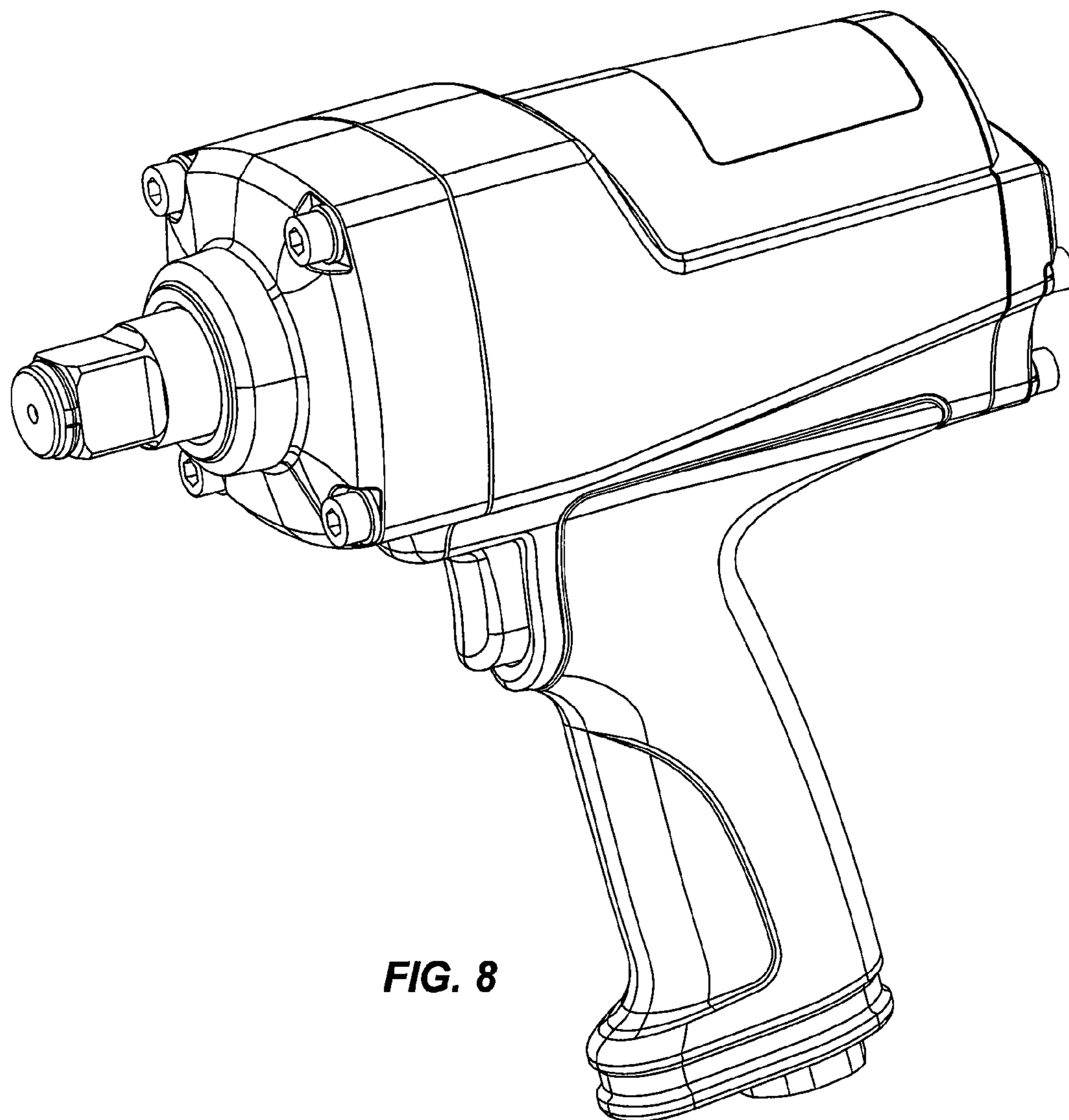


**FIG. 6**

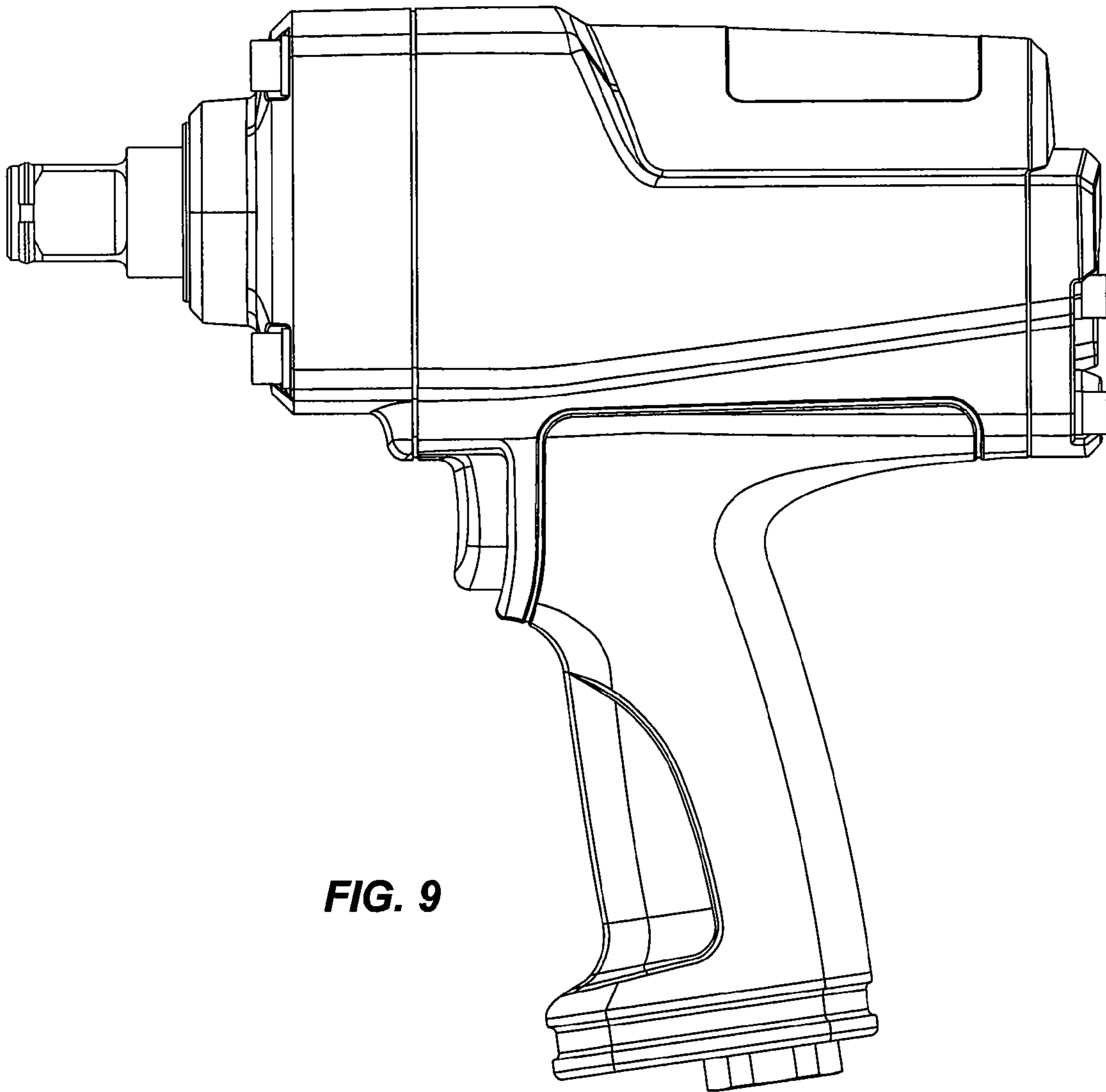




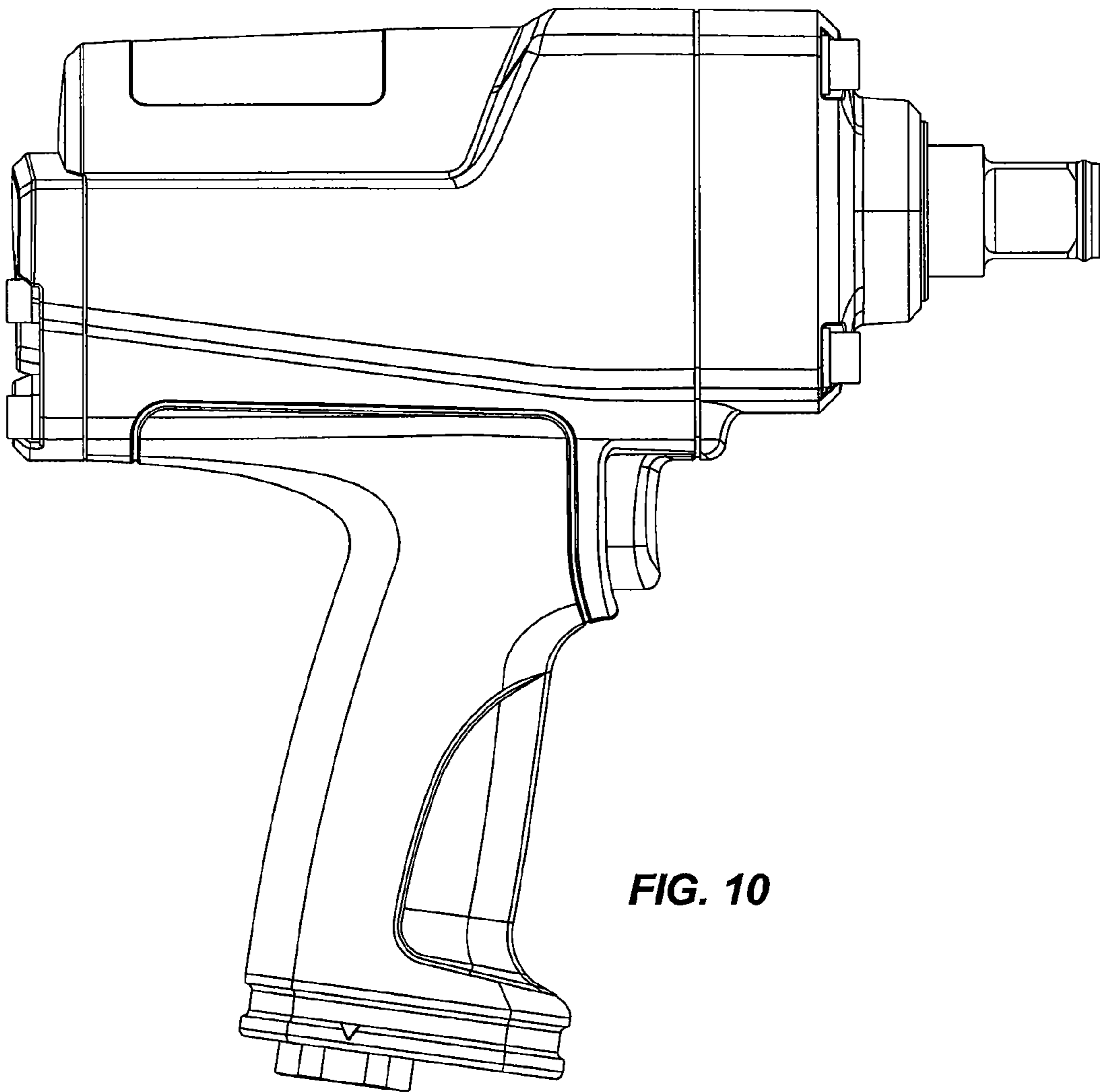
**FIG. 7**



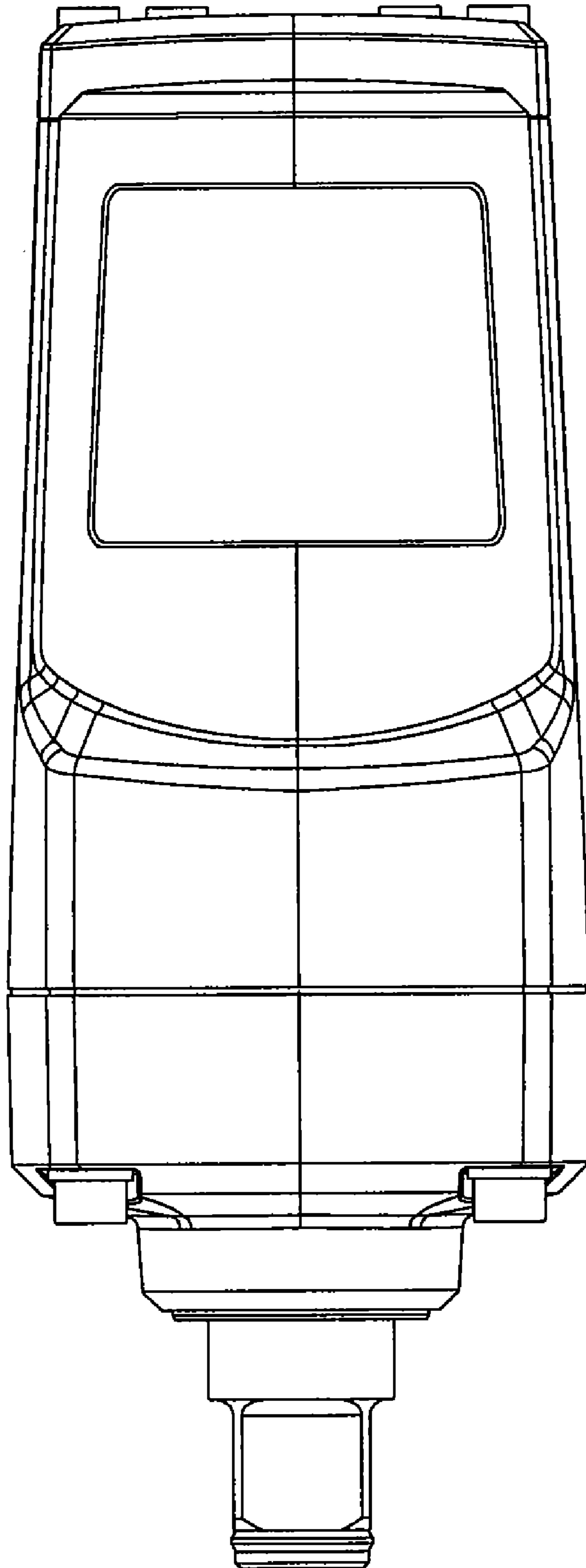
**FIG. 8**



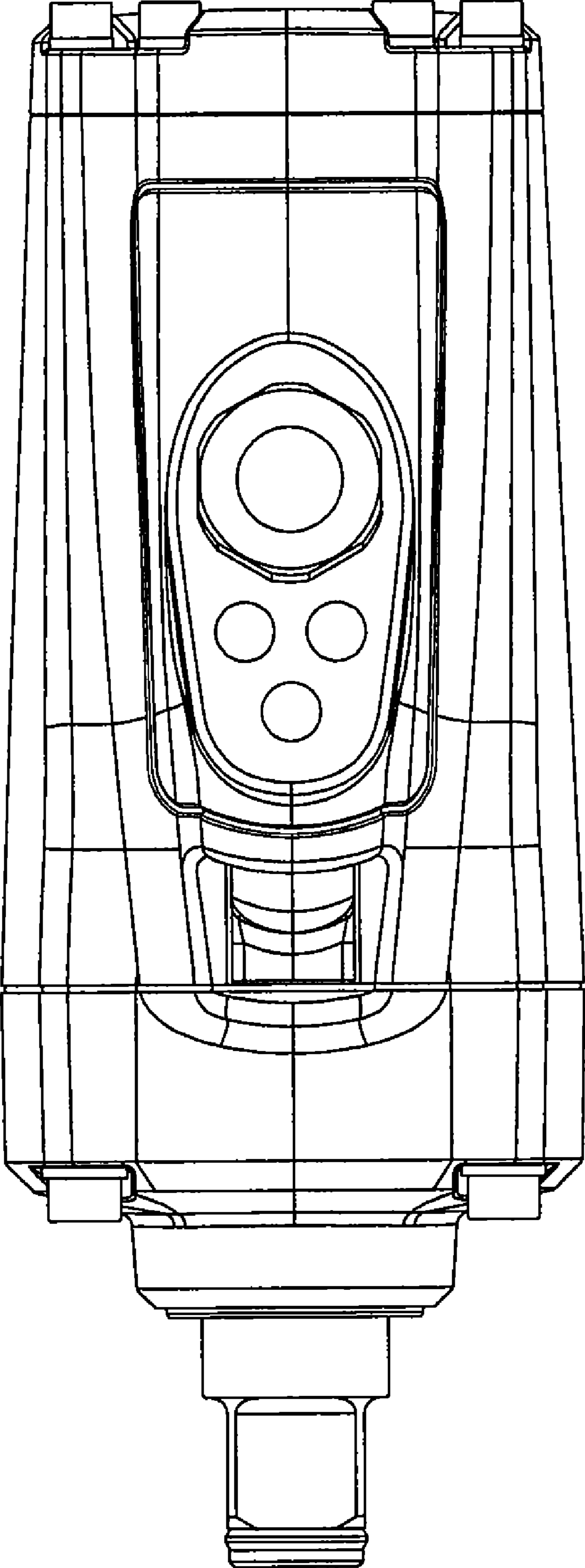
**FIG. 9**



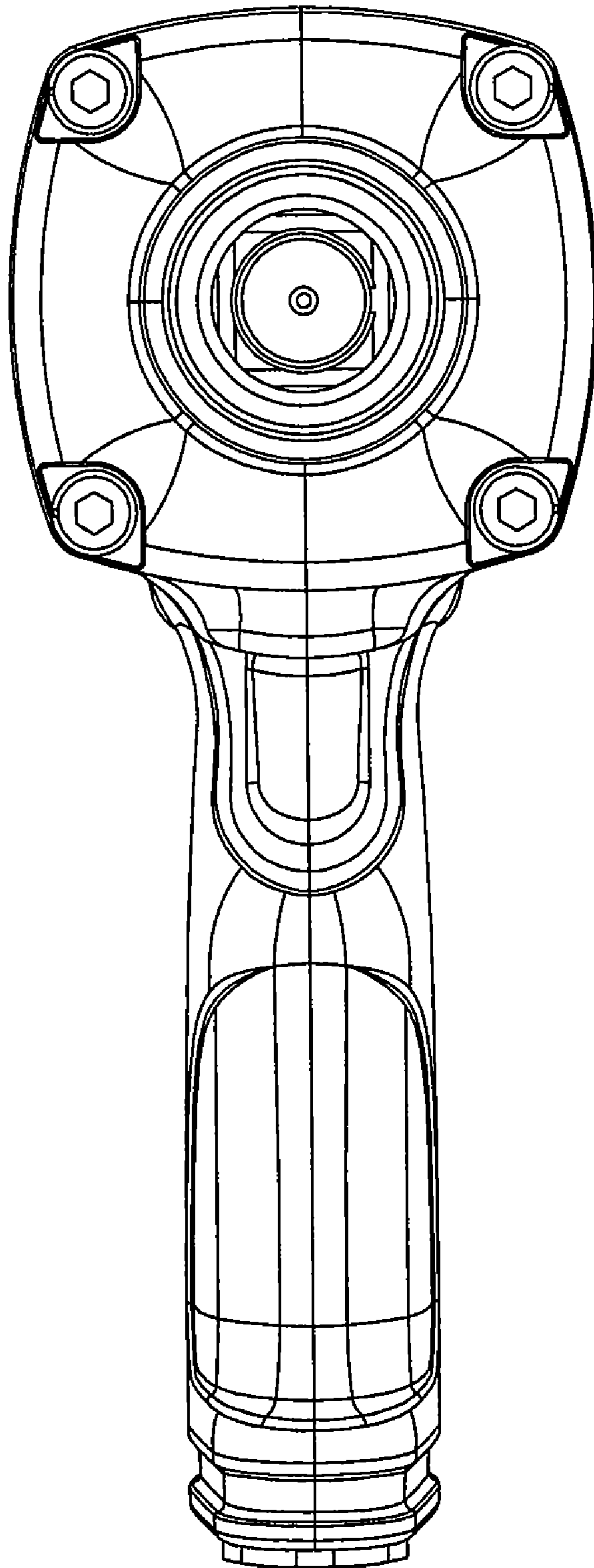
**FIG. 10**



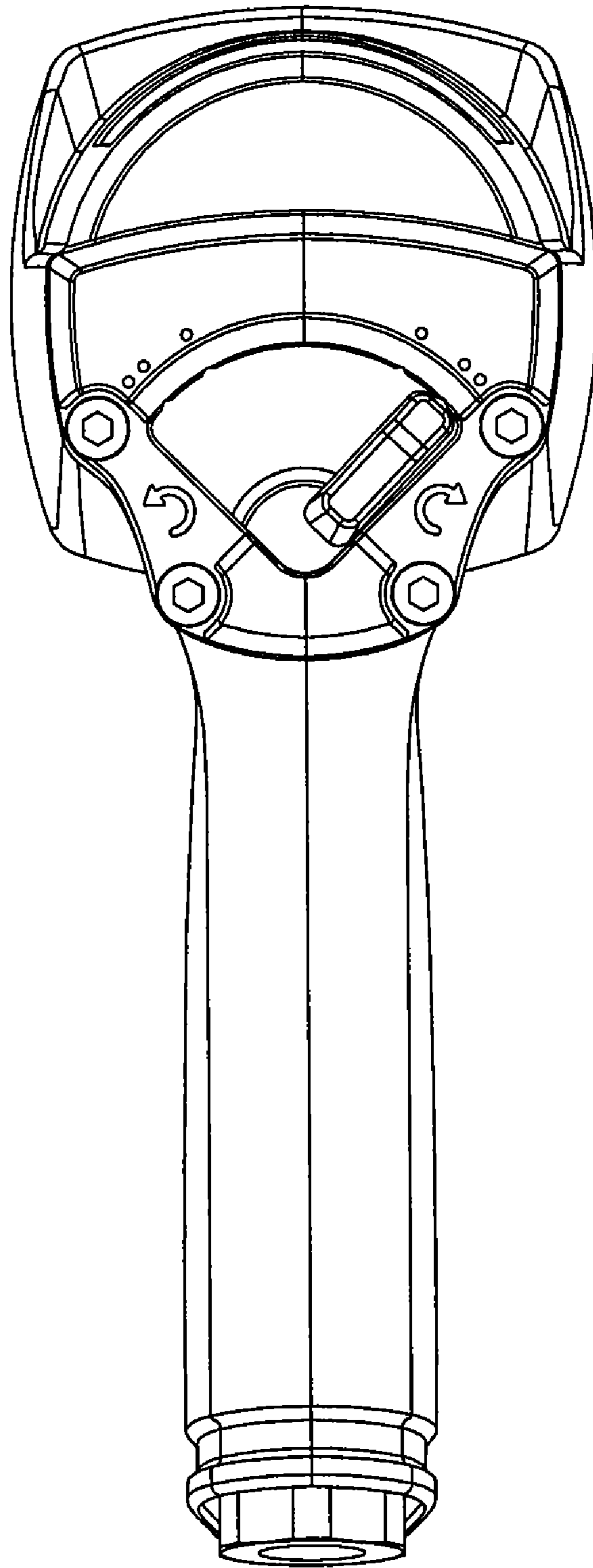
**FIG. 11**



**FIG. 12**



**FIG. 13**



**FIG. 14**