



US00D616709S

(12) **United States Design Patent**
Trinkle et al.

(10) **Patent No.:** **US D616,709 S**
(45) **Date of Patent:** **** Jun. 1, 2010**

(54) **BEVERAGE HOLDER IN THE SHAPE OF
STACKED NASCAR TIRES**

D493,674 S * 8/2004 Lowe D7/606
D498,392 S * 11/2004 Lowe D7/625
D504,285 S * 4/2005 Lowe D7/625
D546,631 S * 7/2007 Carey D7/625

(76) Inventors: **Dallas R. Trinkle**, 1819 Tanner Rd.,
Hebron, KY (US) 41048-9659; **Gail A.
Trinkle**, 1819 Tanner Rd., Hebron, KY
(US) 41048-9659

* cited by examiner

Primary Examiner—Terry A Wallace

(**) Term: **14 Years**

(57) **CLAIM**

(21) Appl. No.: **29/315,252**

The ornamental design for a beverage holder in the shape of
stacked nascar tires, as shown and described.

(22) Filed: **Jun. 9, 2009**

DESCRIPTION

(51) **LOC (9) Cl.** **07-01**

FIG. 1 is a perspective view of the beverage holder in the
shape of stacked nascar tires showing our new design, the can
is shown in broken lines for illustrative purposes only.

(52) **U.S. Cl.** **D7/625**

(58) **Field of Classification Search** D7/619.1–625,
D7/603–608, 514; 215/392, 393, 395; 220/737,
220/739, 902, 903; D12/500, 501
See application file for complete search history.

FIG. 2 is a top perspective view thereof.

FIG. 3 is a bottom perspective view thereof.

FIG. 4 is a top plan view thereof.

FIG. 5 is a bottom plan view thereof.

FIG. 6 is a side view thereof.

FIG. 7 is a top plan view of an alternate embodiment of FIG.
1.

FIG. 8 is a bottom plan view of FIG. 7; and,

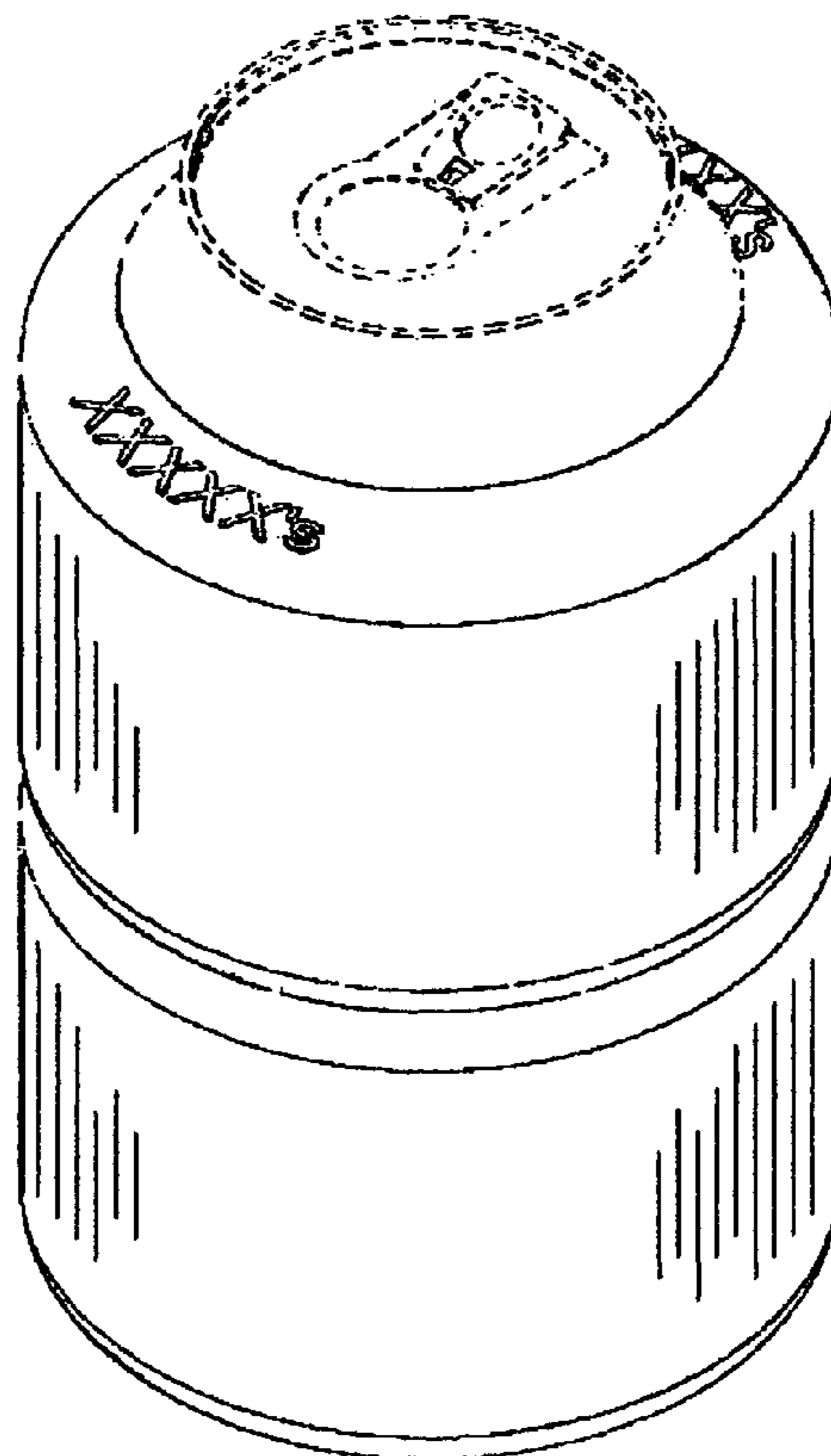
FIG. 9 is a side view of FIG. 7.

(56) **References Cited**

U.S. PATENT DOCUMENTS

4,462,444 A * 7/1984 Larson 215/395
D347,972 S * 6/1994 Gaudet D7/619.1
D351,971 S * 11/1994 Cappola D7/625
D441,614 S * 5/2001 Carroll D7/624.2
D445,778 S * 7/2001 Eiler D14/207
D448,250 S 9/2001 Brangle
D481,988 S * 11/2003 Wachendorf D12/500

1 Claim, 6 Drawing Sheets



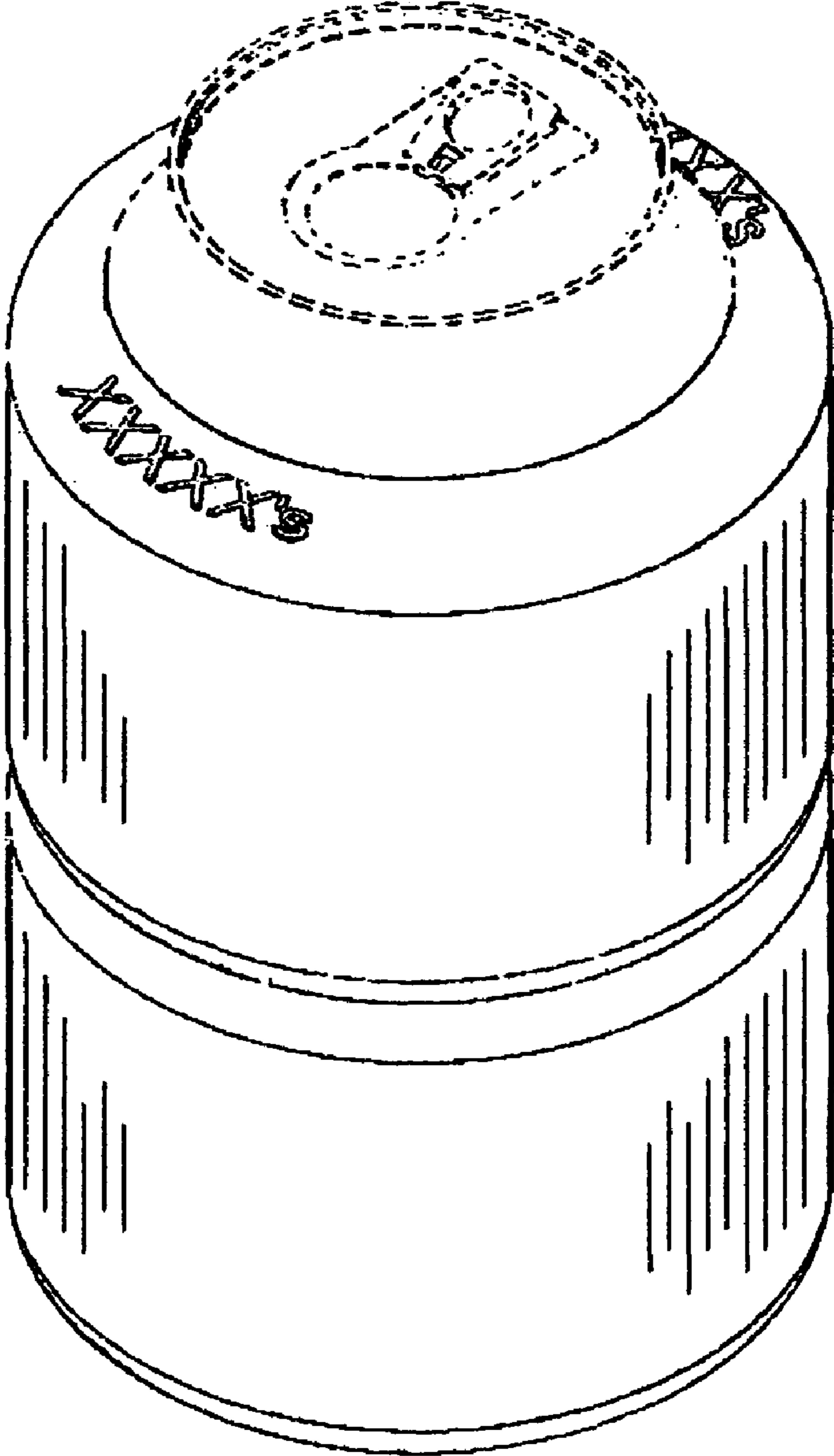


Figure 1

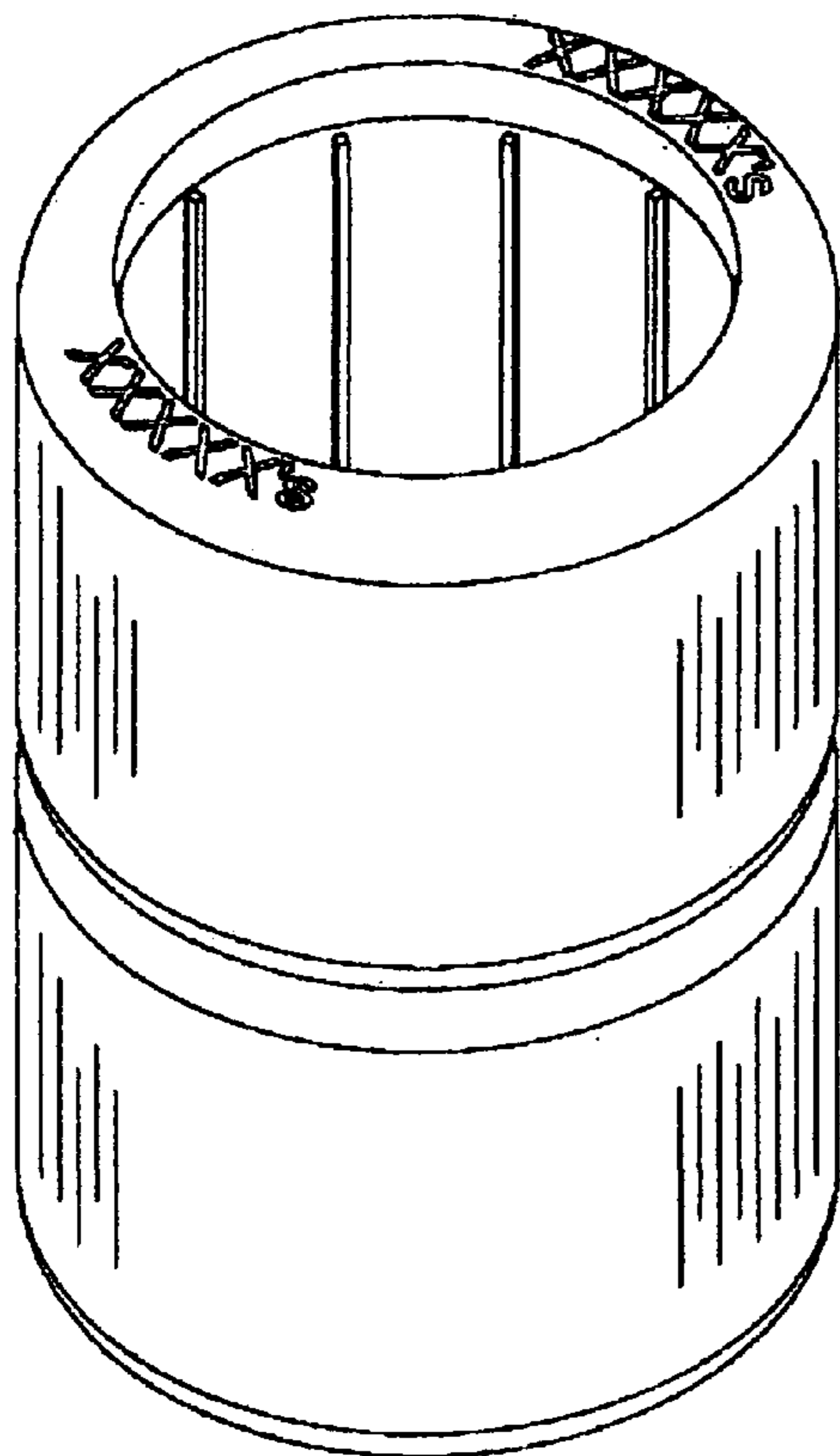


Figure 2

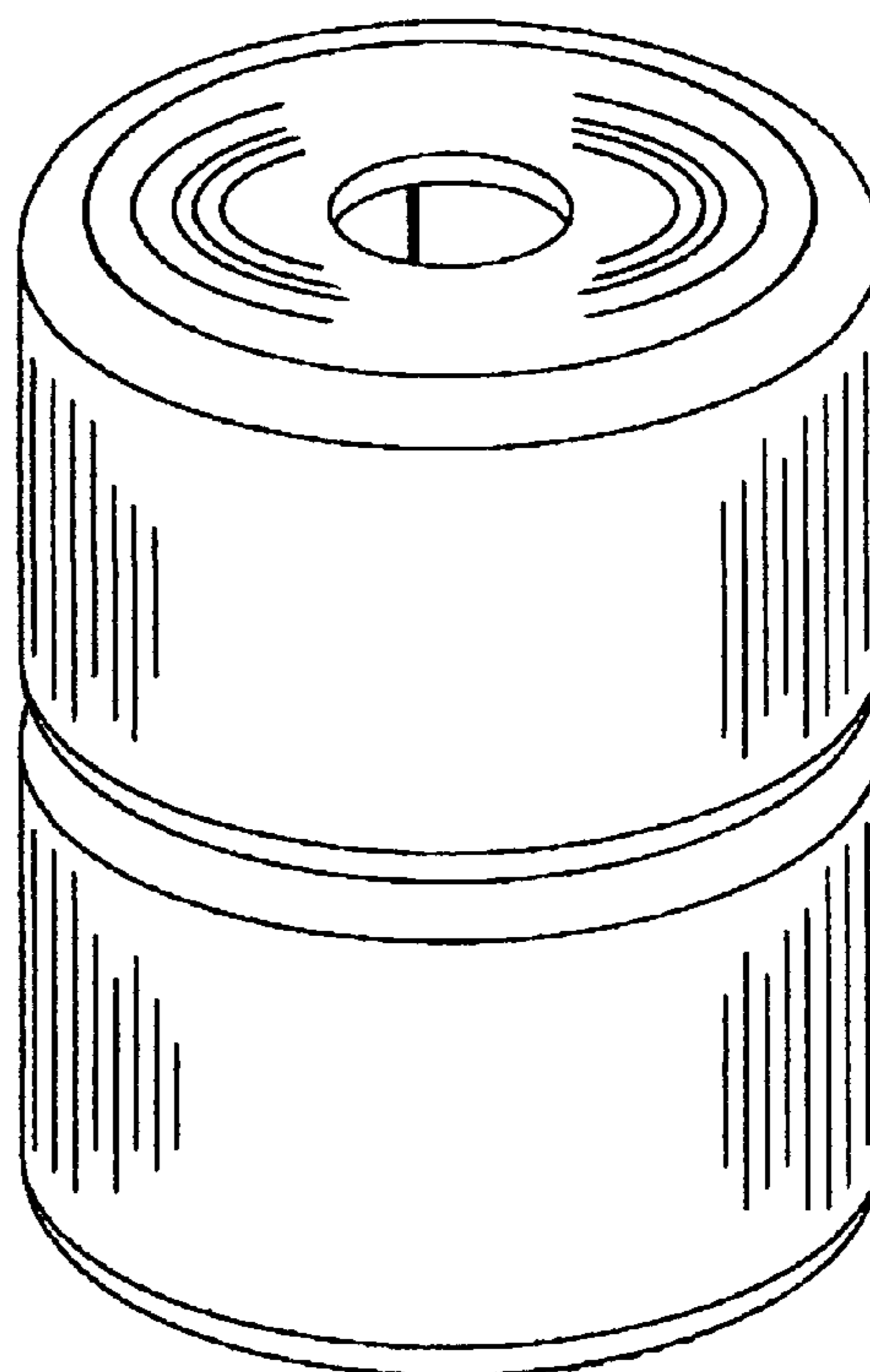


Figure 3

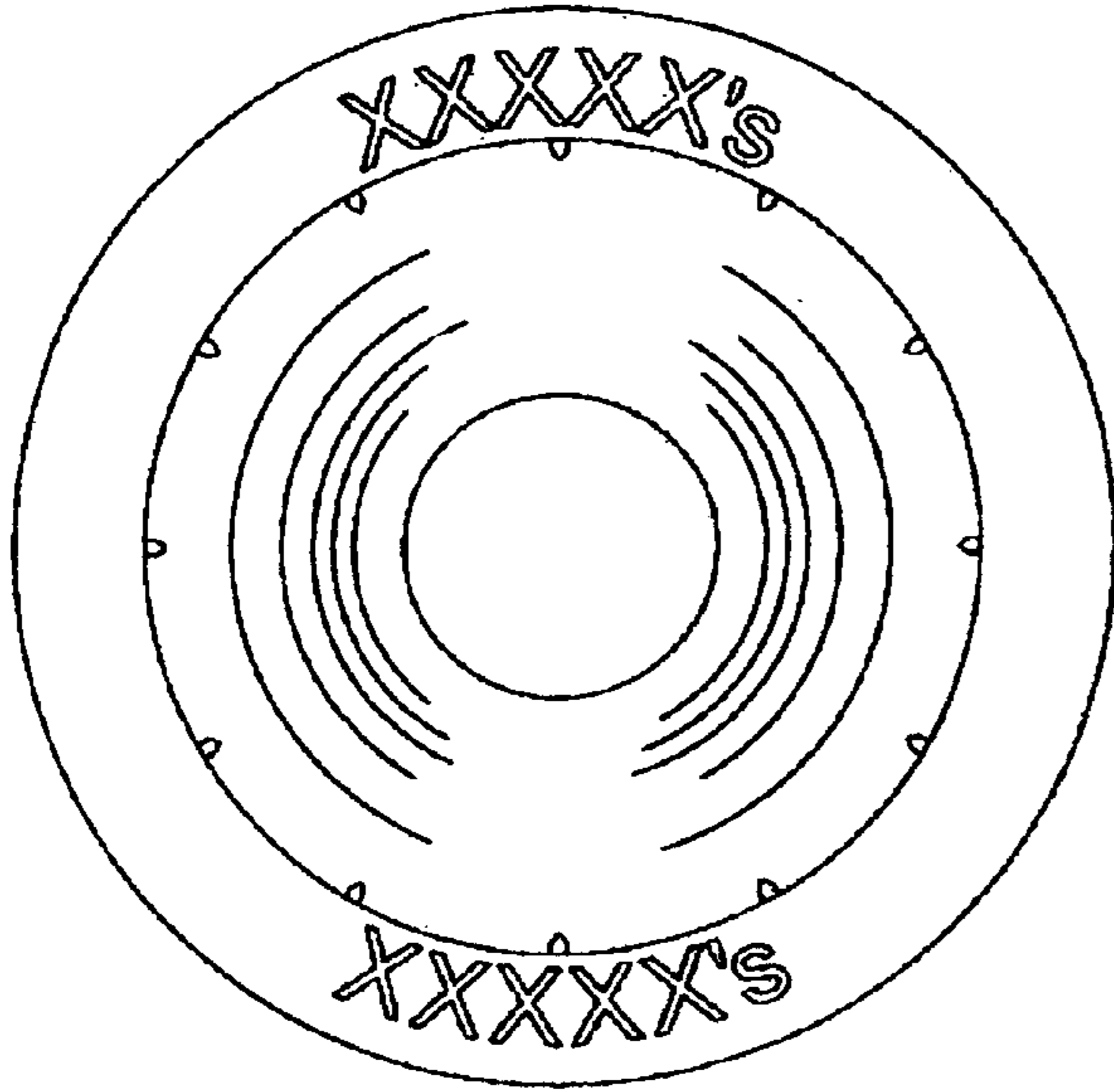


Figure 4

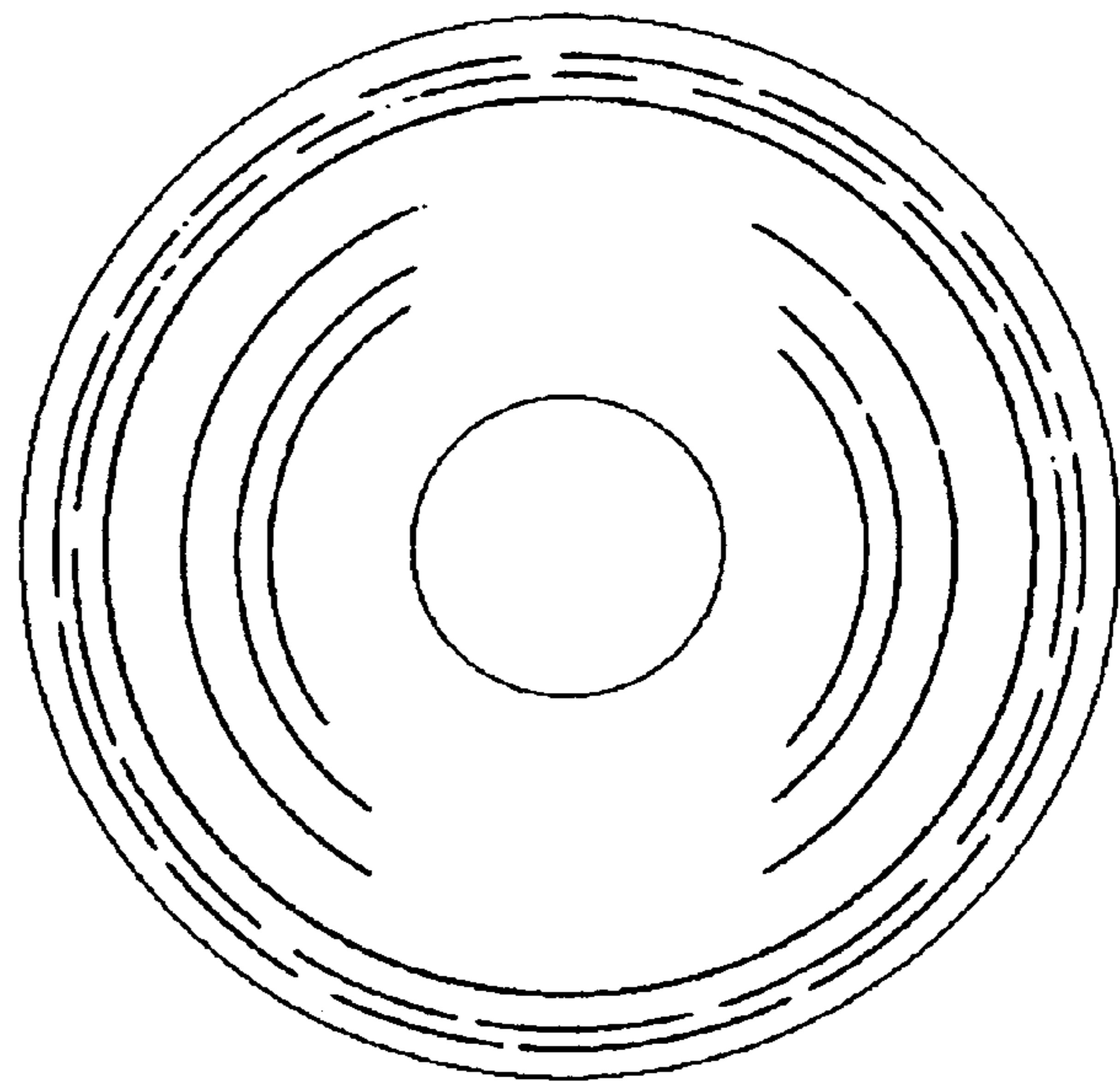


Figure 5

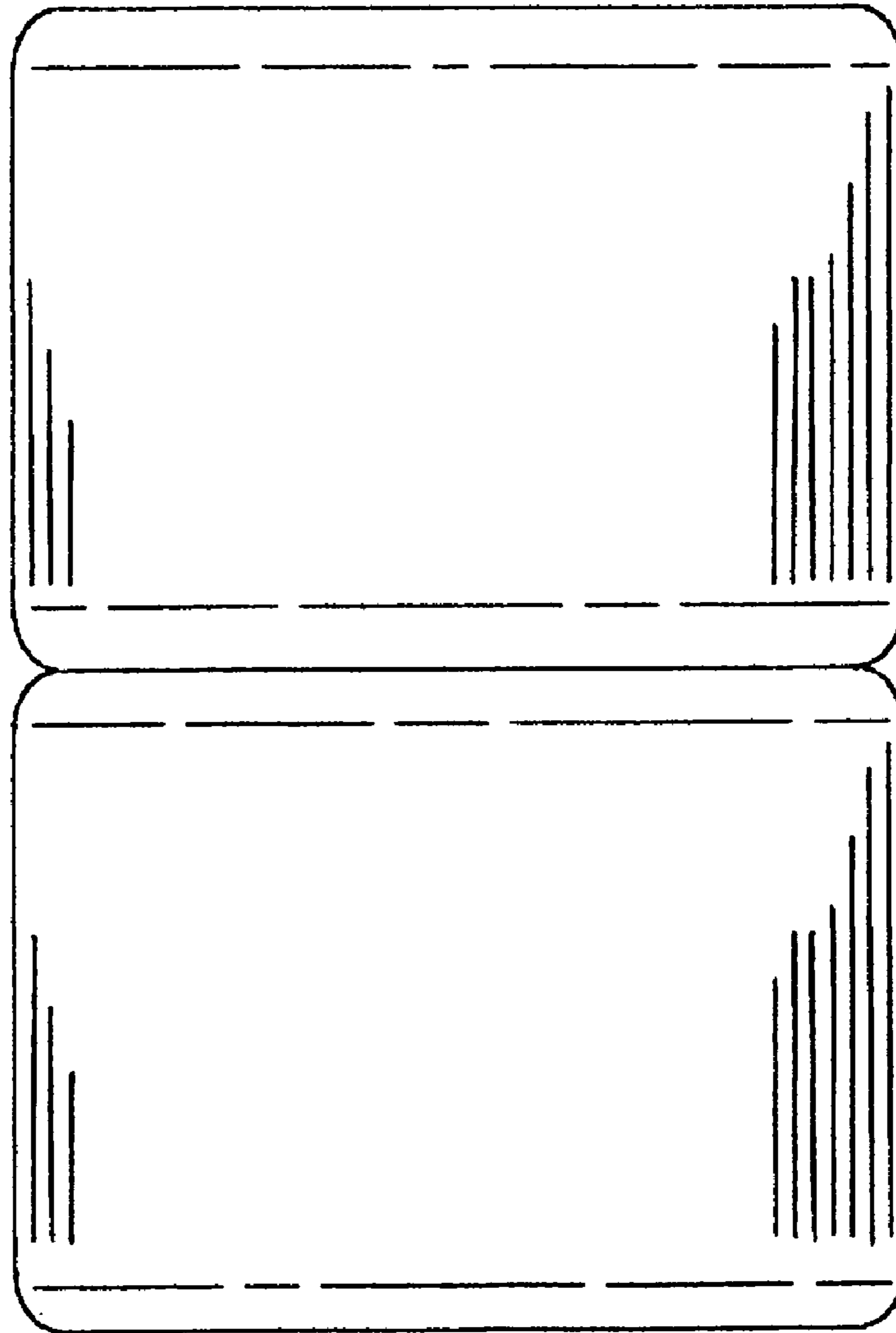


Figure 6

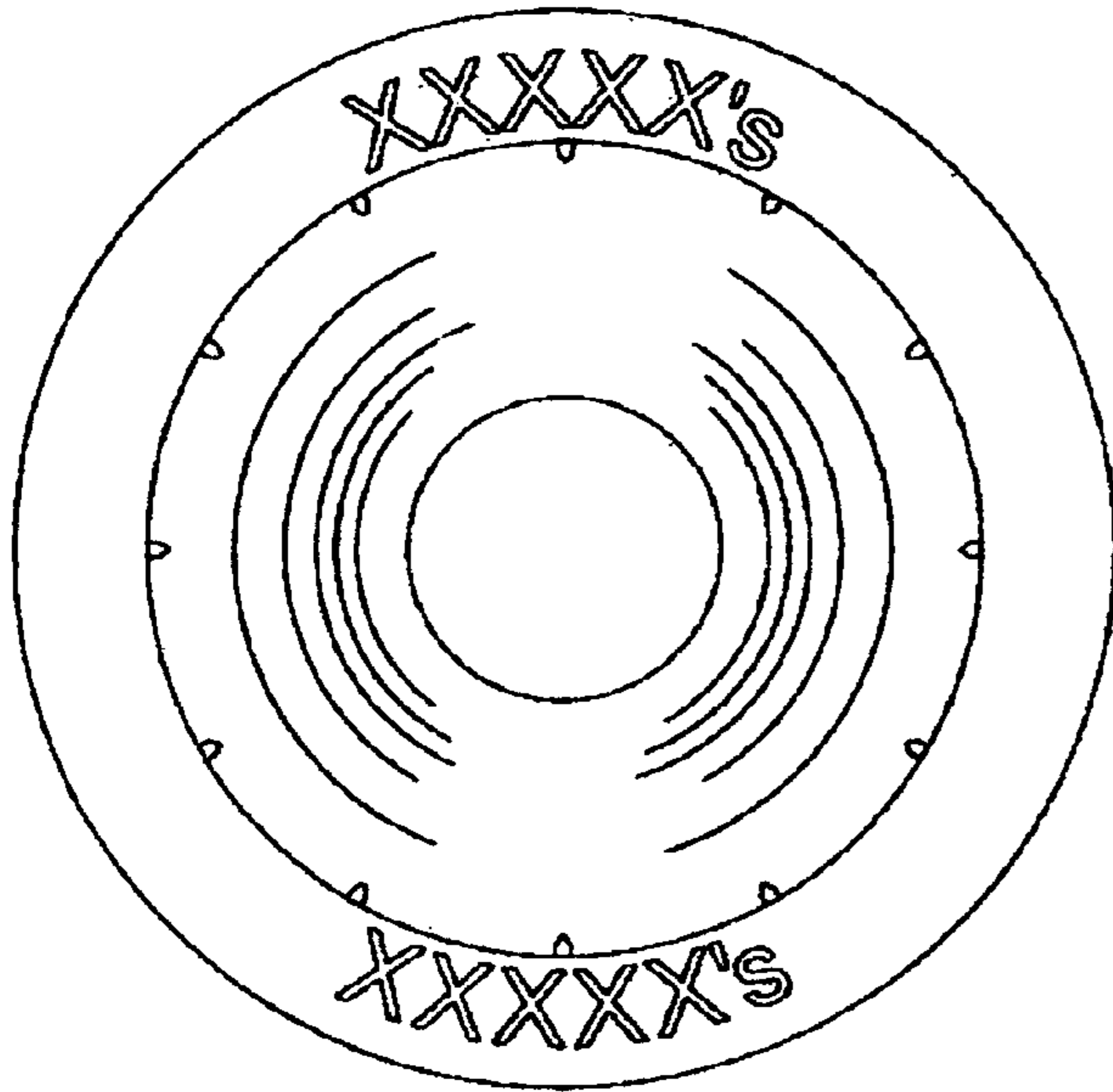


Figure 7

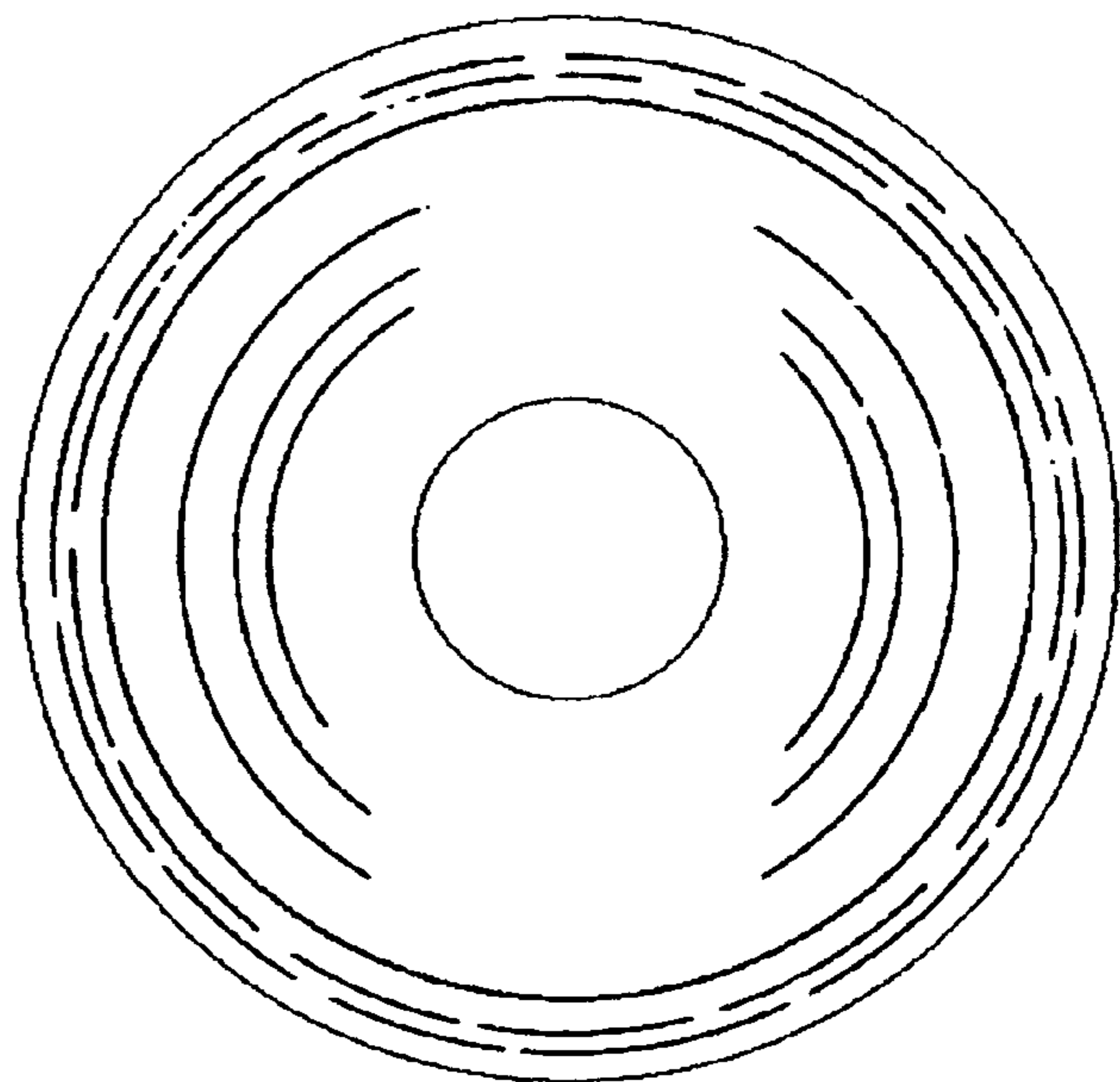


Figure 8

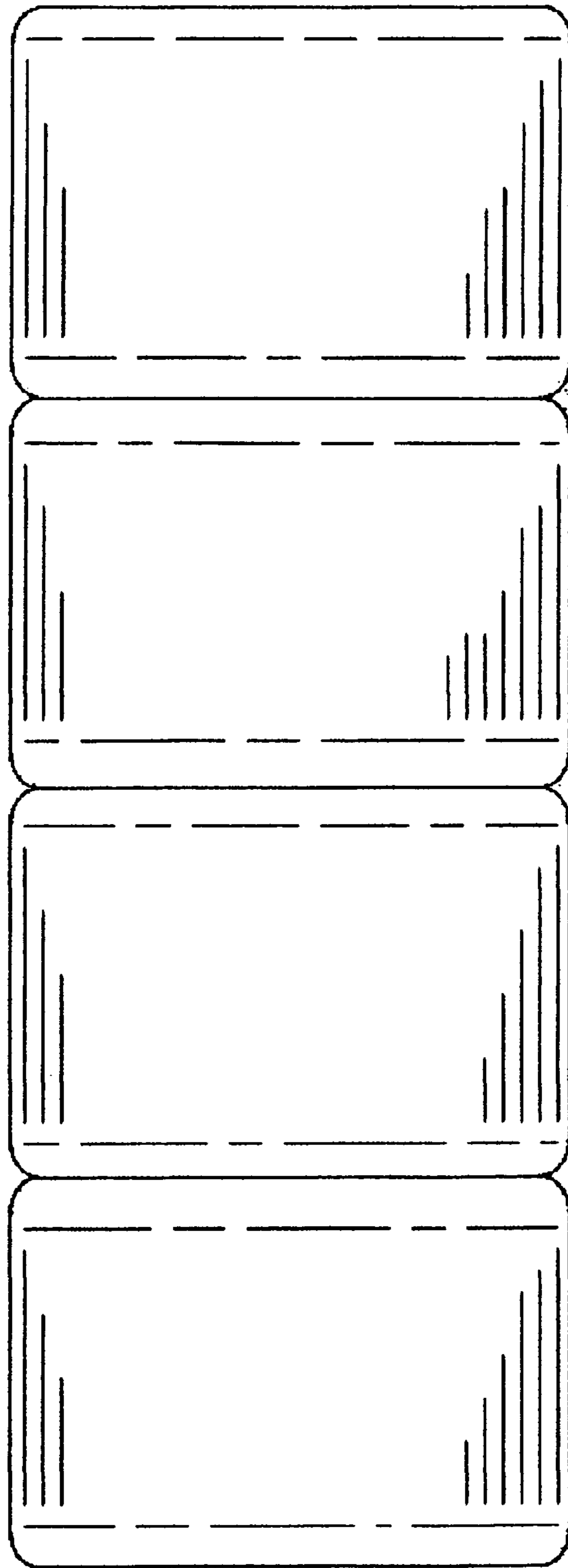


Figure 9