



US00D616706S

(12) **United States Design Patent**  
**Bofinger et al.**

(10) **Patent No.:** **US D616,706 S**  
(45) **Date of Patent:** **\*\* Jun. 1, 2010**

(54) **CUP**

(75) Inventors: **Anna Maria Bofinger**, Shoreview, MN (US); **Kim Lipfert**, Minnetonka, MN (US)

(73) Assignee: **Target Brands, Inc.**, Minneapolis, MN (US)

(\*\*) Term: **14 Years**

(21) Appl. No.: **29/343,497**

(22) Filed: **Sep. 14, 2009**

(51) **LOC (9) Cl.** ..... **07-01**

(52) **U.S. Cl.** ..... **D7/534; D24/197**

(58) **Field of Classification Search** ..... D7/509,  
D7/536, 533, 534; D24/197; 215/11.3, 11.1;  
220/703, 705, 713

See application file for complete search history.

(56) **References Cited**

**U.S. PATENT DOCUMENTS**

D315,213 S \* 3/1991 Ohnuki ..... D24/197  
(Continued)

**OTHER PUBLICATIONS**

“Nuby No-Spill Cup w/Handles—10 oz.”, <http://www.babyearth.com/nuby-no-spill-cup-w-handles--10oz.html>, 2 pages, publicly available at least as early as 2008, more than one year prior to the effective U.S. filing date of the present application.  
(Continued)

*Primary Examiner*—Marianne Pandozzi  
(74) *Attorney, Agent, or Firm*—Griffiths & Seaton PLLC

(57) **CLAIM**

The ornamental design for a cup, as shown and described.

**DESCRIPTION**

FIG. 1 is a top, front, perspective view of a cup showing a first embodiment of our new design;

FIG. 2 is a bottom, rear, perspective view thereof;

FIG. 3 is a front view thereof, the rear view being a mirror image of the front view;

FIG. 4 is a right side view thereof, the left side view being a mirror image of the right side view;

FIG. 5 is a top view thereof; and

FIG. 6 is a bottom view thereof.

FIG. 7 is a top front perspective view thereof additionally showing environmental structure in penguin head shape;

FIG. 8 is a bottom, rear, perspective view thereof;

FIG. 9 is a front view thereof;

FIG. 10 is a rear view thereof;

FIG. 11 is a right side view thereof, the left side view being a mirror image of the right side view;

FIG. 12 is a top view thereof; and

FIG. 13 is a bottom view thereof.

FIG. 14 is a top front perspective view thereof additionally showing environmental structure in snowman head shape;

FIG. 15 is a bottom, rear, perspective view thereof;

FIG. 16 is a front view thereof;

FIG. 17 is a rear view thereof;

FIG. 18 is a right side view thereof;

FIG. 19 is a left side view thereof;

FIG. 20 is a top view thereof; and

FIG. 21 is a bottom view thereof.

FIG. 22 is a top front perspective view thereof additionally showing environmental structure in Santa head shape;

FIG. 23 is a bottom, rear, perspective view thereof;

FIG. 24 is a front view thereof;

FIG. 25 is a rear view thereof;

FIG. 26 is a right side view thereof;

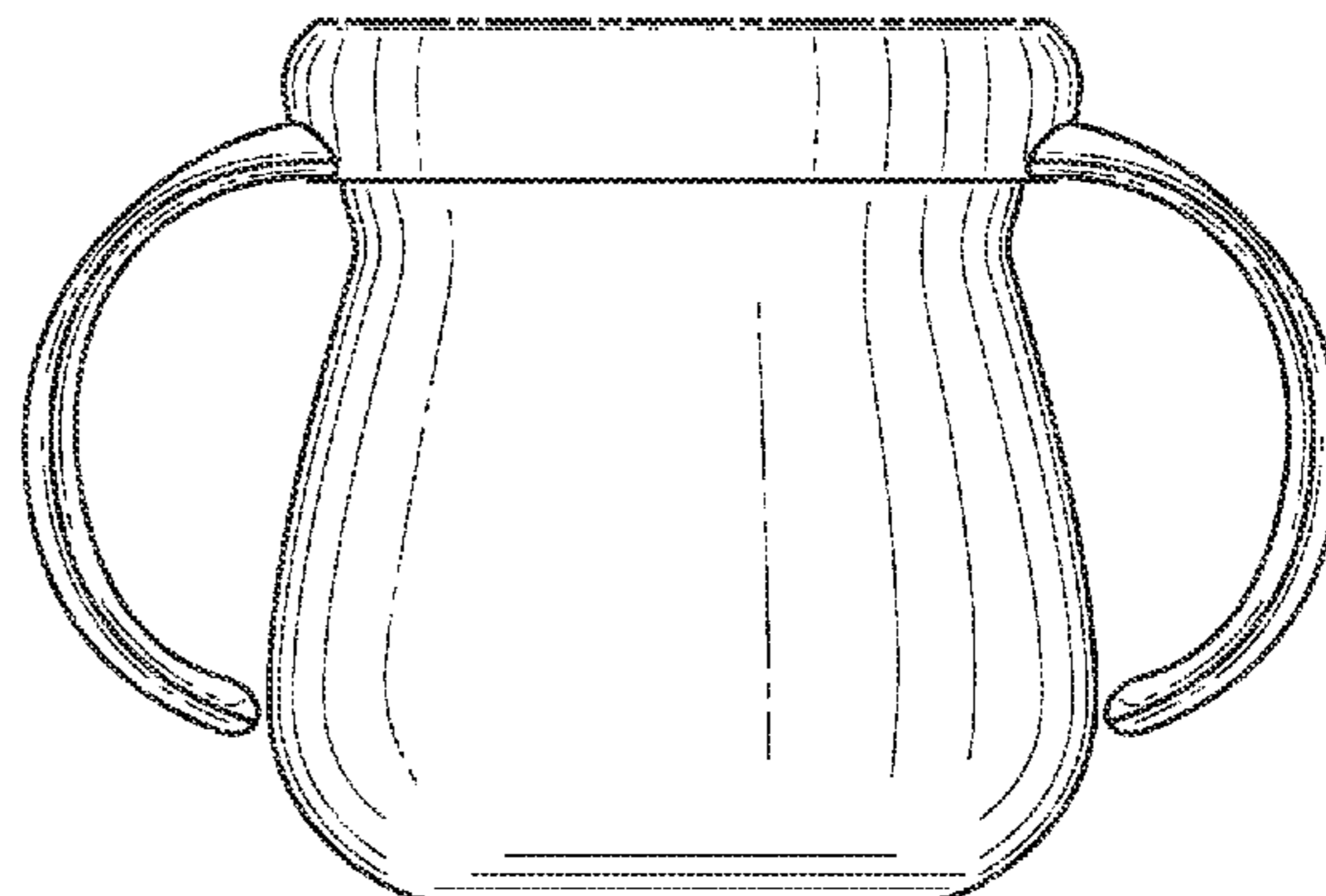
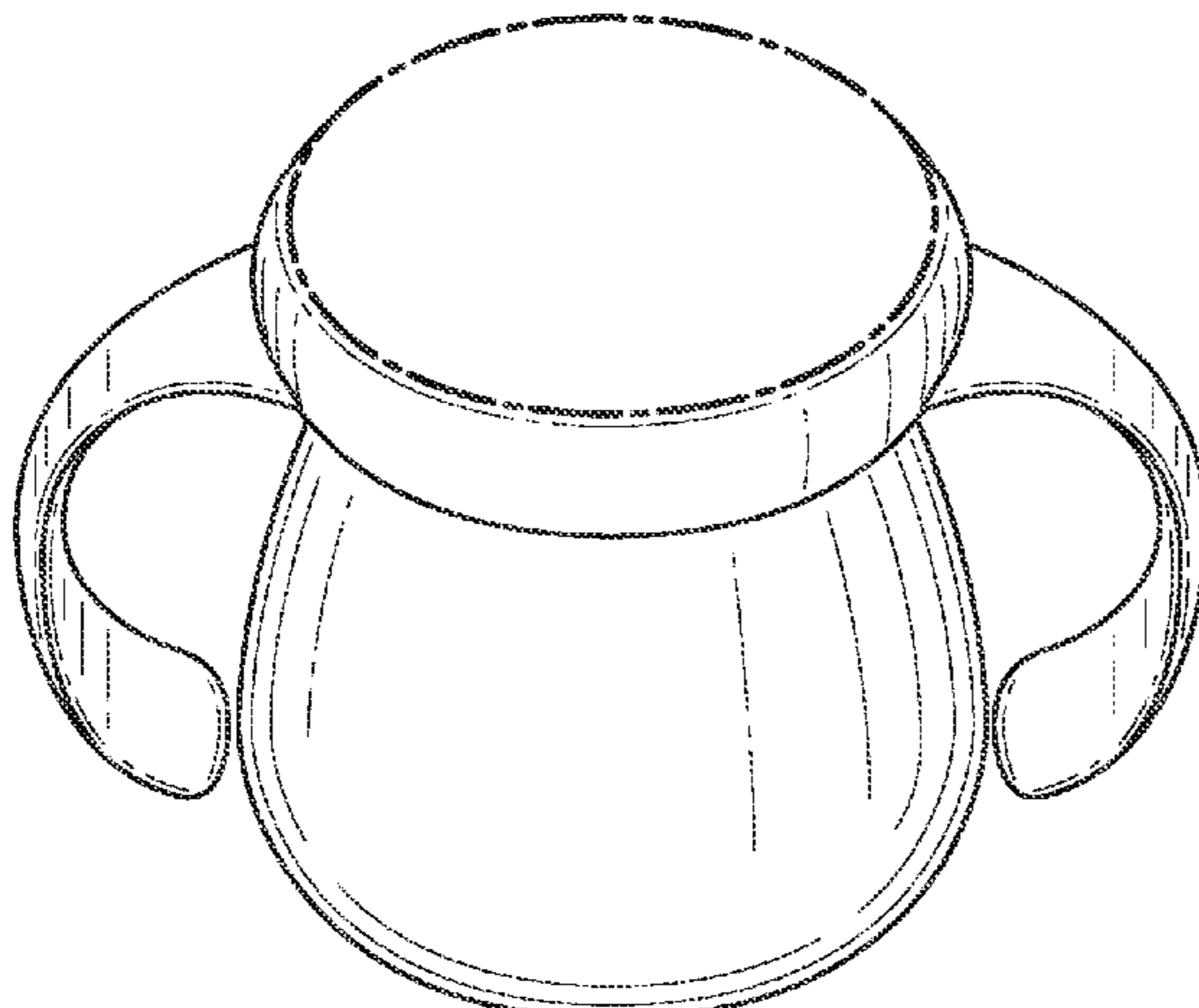
FIG. 27 is a left side view thereof;

FIG. 28 is a top view thereof; and,

FIG. 29 is a bottom view thereof.

The features shown in broken lines depict environmental subject matter only and form no part of the claimed design. The bolded dash-dot broken lines indicate the bounds of the claimed subject matter.

**1 Claim, 14 Drawing Sheets**



U.S. PATENT DOCUMENTS

D329,355	S	9/1992	Yagi	
D366,987	S	2/1996	Allegre	
D368,529	S *	4/1996	Allegre	..... D24/197
D375,655	S	11/1996	King	
5,614,275	A	3/1997	Chan	
5,662,240	A	9/1997	Norris	
D421,878	S	3/2000	Roehrig	
D425,994	S *	5/2000	Hakim	..... D24/197
D442,435	S	5/2001	Takagi	
D454,642	S *	3/2002	Hakim	..... D24/197
D460,322	S	7/2002	Orr et al.	
D476,849	S *	7/2003	Randolph	..... D7/510
D482,571	S	11/2003	Leinenweber	
D504,049	S	4/2005	Morano et al.	
6,962,265	B1	11/2005	Zhang	
D513,932	S	1/2006	De Oliveira	
D515,867	S *	2/2006	Randolph et al.	..... D7/396.2
D533,909	S *	12/2006	Whitten	..... D21/635
D538,939	S *	3/2007	Conaway et al.	..... D24/197
D551,021	S *	9/2007	Rousso et al.	..... D7/510
D559,624	S *	1/2008	Carreno	..... D7/534
D579,721	S	11/2008	Qian	
D579,722	S	11/2008	Sakulsacha et al.	
D589,153	S *	3/2009	Rosales	..... D24/197
7,562,789	B2 *	7/2009	Randolph et al.	..... 220/710.5
D608,148	S *	1/2010	Lane	..... D7/510
2007/0163984	A1 *	7/2007	Nguyen et al.	..... 215/11.3
2007/0278172	A1	12/2007	Hakim	

OTHER PUBLICATIONS

“Gerber Soft Starter Cup,” [http://www.epinions.com/reviews/Gerber\\_Soft\\_Starter\\_Cup](http://www.epinions.com/reviews/Gerber_Soft_Starter_Cup), 6 pages, publicly available at least as early as Oct. 9, 2003.

“Flip-It™ Tops,” <http://www.nuby.com/products/cups/9803.aspx>, 1 page, publicly available at least as early as 2008, more than one year prior to the effective U.S. filing date of the present application.

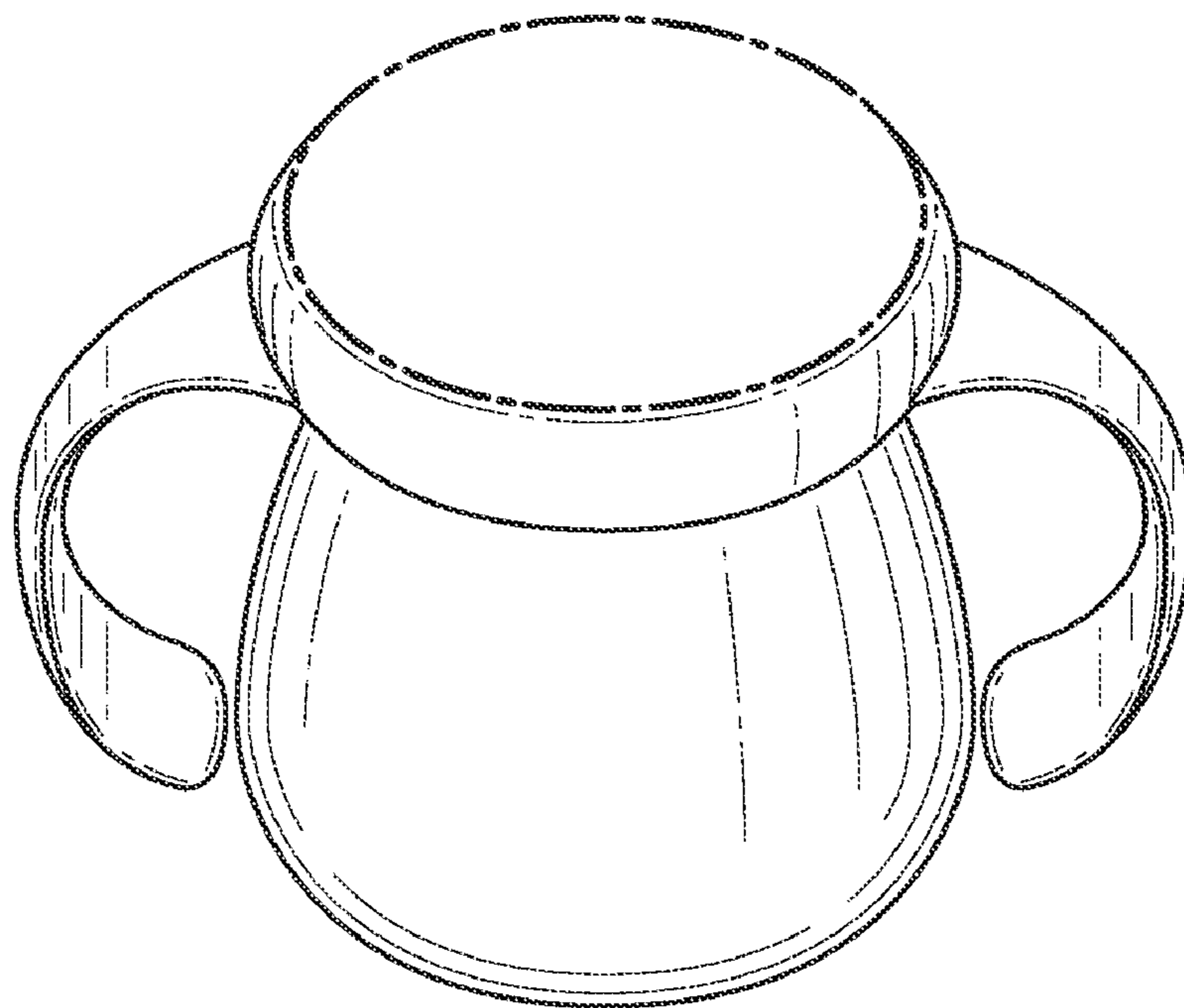
“Fresh Promotions, Vacuum Flask,” <http://www.freshpromotions.com.au/hospitality/vacuum-flasks/discovery-plus-vacuum-flask-.html>, 3 pages, publicly available at least as early as 2008, more than one year prior to the effective U.S. filing date of the present application.

“No-Spill™ Grip n’ Sip™ Cup Stage 2,” <http://www.nuby.com/products/cups/9647.aspx>, 1 page, publicly available at least as early as 2008, more than one year prior to the effective U.S. filing date of the present application.

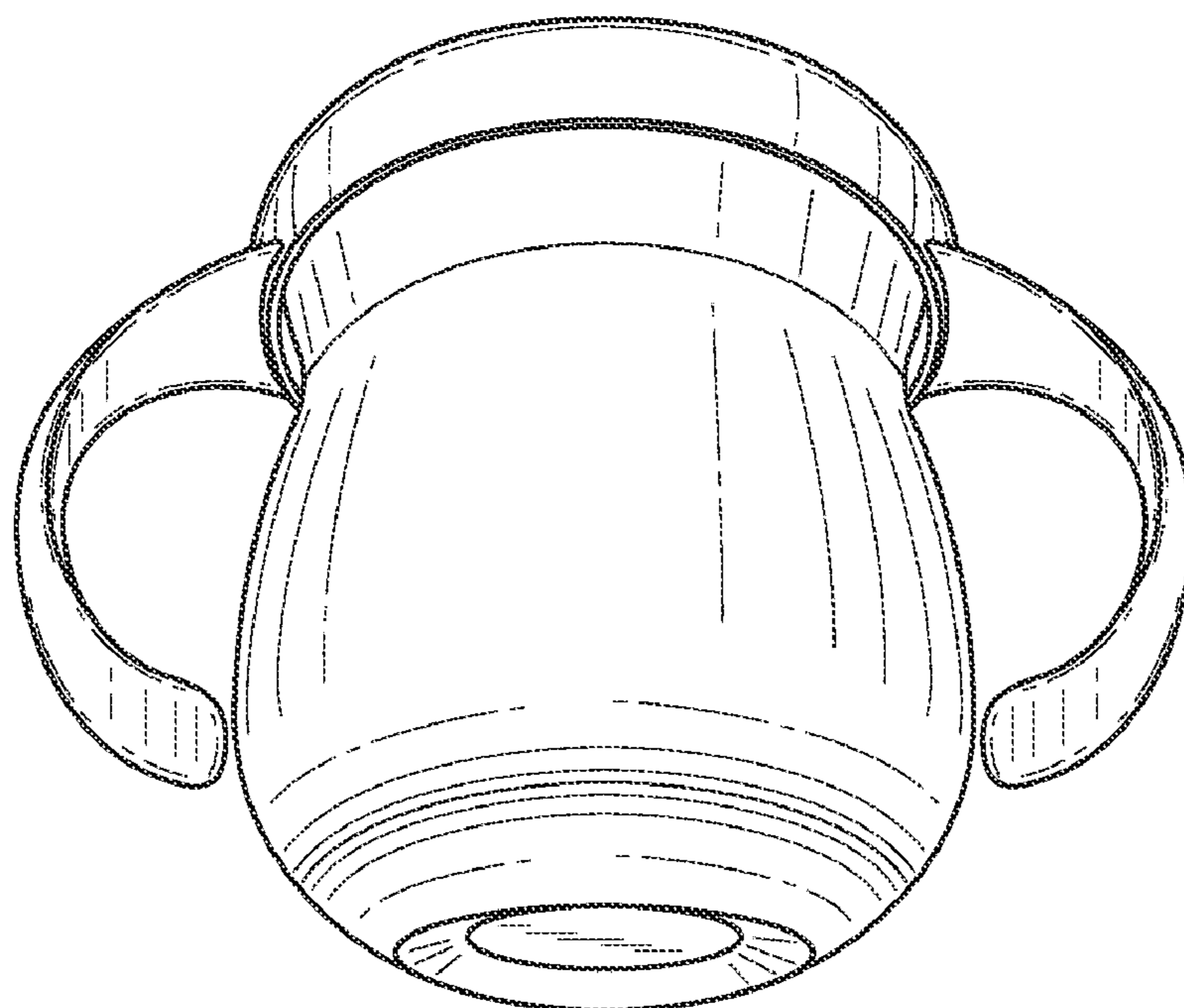
“Magic Trainer Cup, Twin with Handles,” [http://www.consumer.philips.com/consumer/en/us/consumer/cc/\\_productid\\_SCF600\\_22\\_US\\_CONSUMER/Magic-Trainer-Cup+SCF600-22](http://www.consumer.philips.com/consumer/en/us/consumer/cc/_productid_SCF600_22_US_CONSUMER/Magic-Trainer-Cup+SCF600-22), 2 pages publicly available at least as early as 2008, more than one year prior to the effective U.S. filing date of the present application.

“The Safe Sippy Blue,” [http://www.amazon.com/Safe-Sippy-SAFSIPBLUE-The-Blue/dp/B001CXEXPM/ref=pd\\_bxgy\\_ba\\_img\\_b](http://www.amazon.com/Safe-Sippy-SAFSIPBLUE-The-Blue/dp/B001CXEXPM/ref=pd_bxgy_ba_img_b), 7 pages, publicly available at least as early as Sep. 2008, more than one year prior to the effective U.S. filing date of the present application.

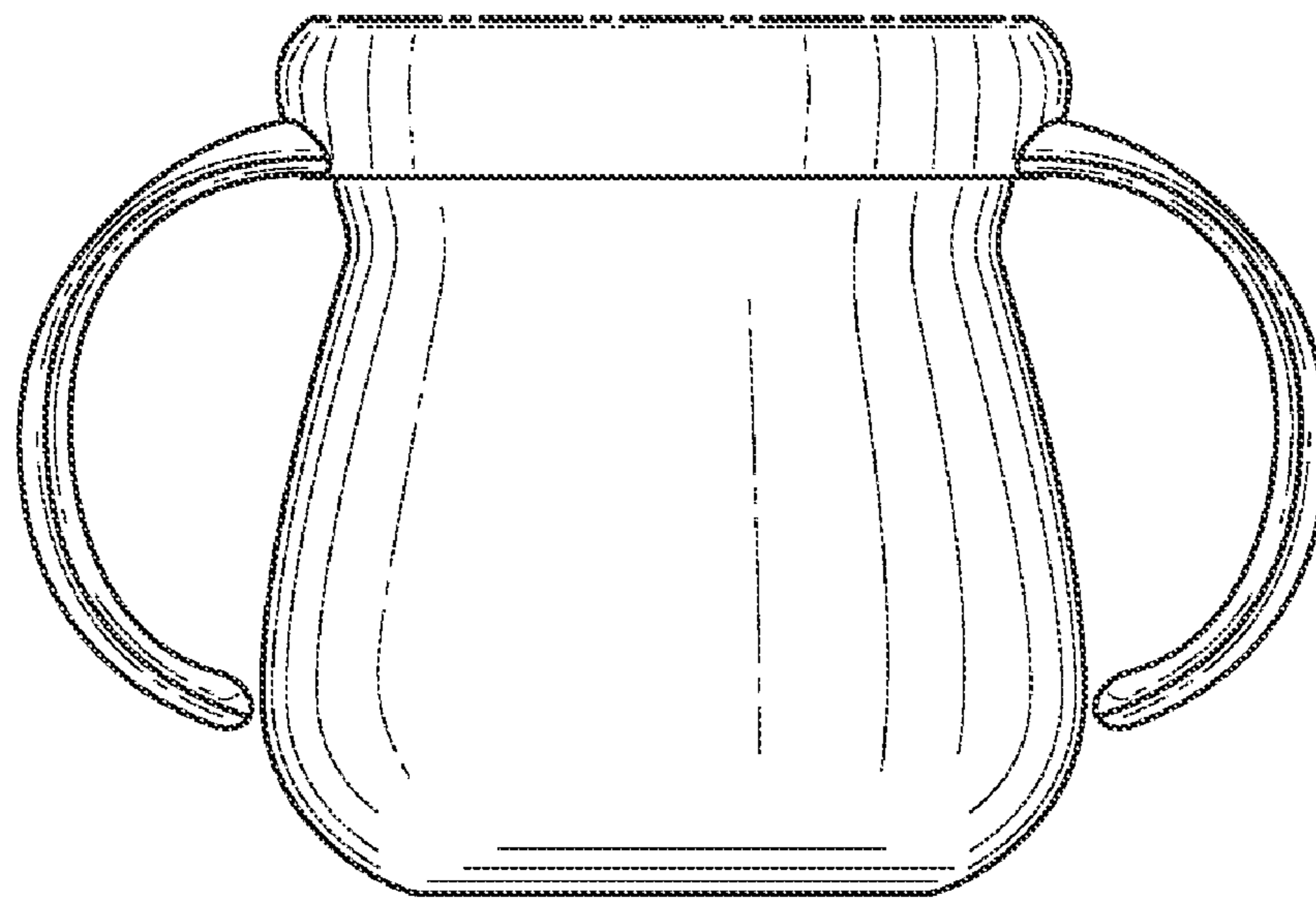
\* cited by examiner



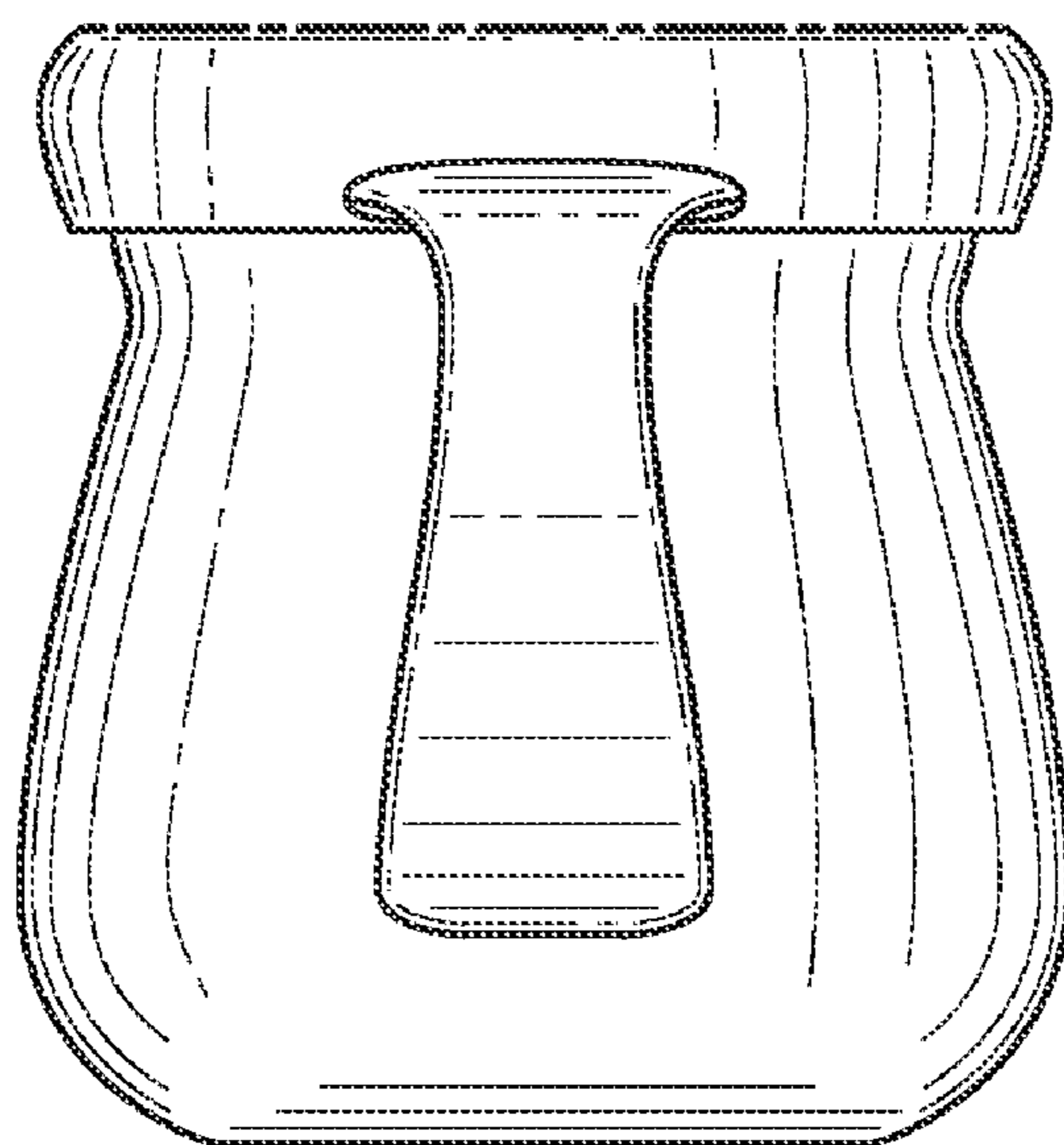
**Fig. 1**



**Fig. 2**



**Fig. 3**



**Fig. 4**

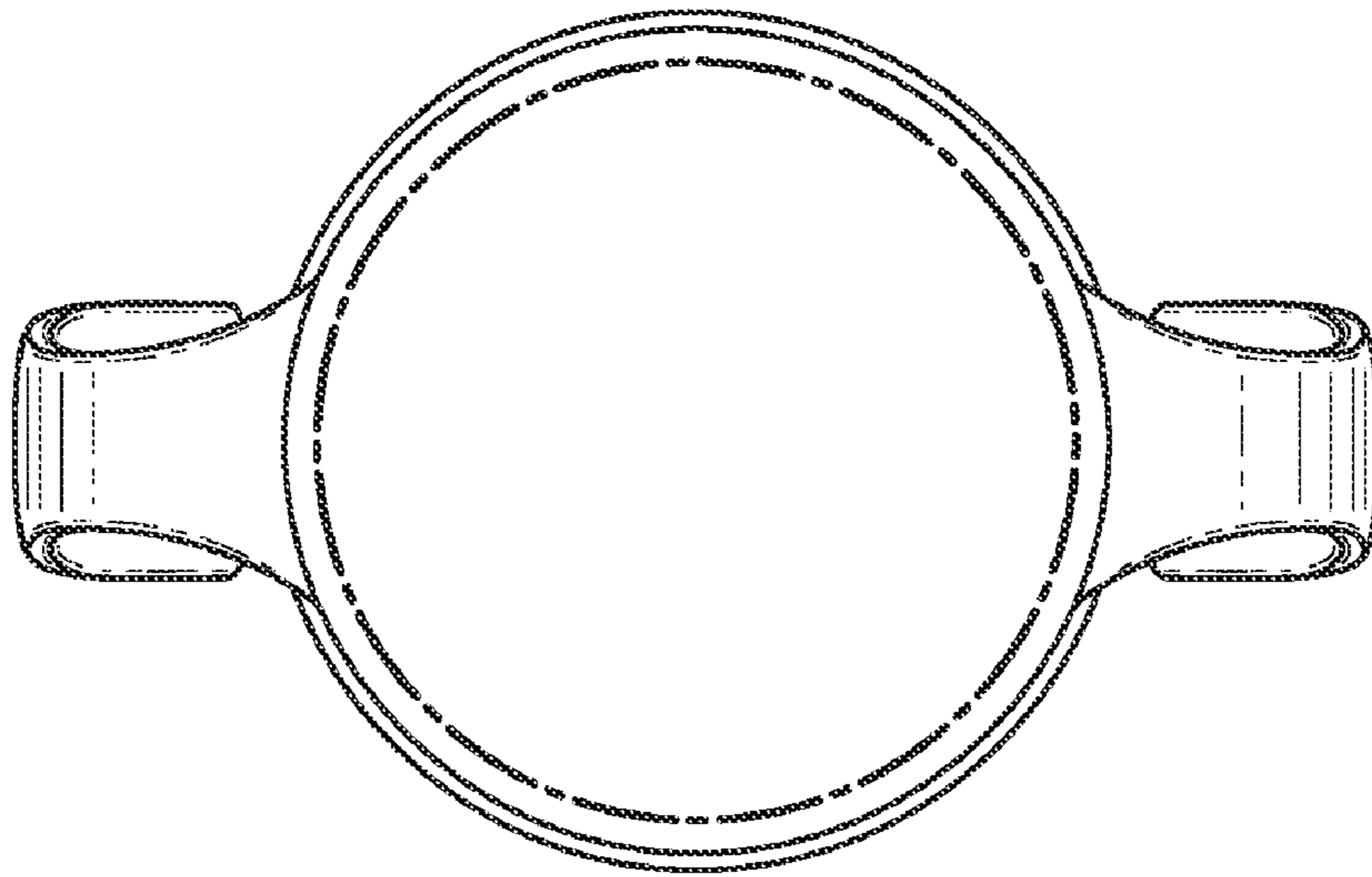


Fig. 5

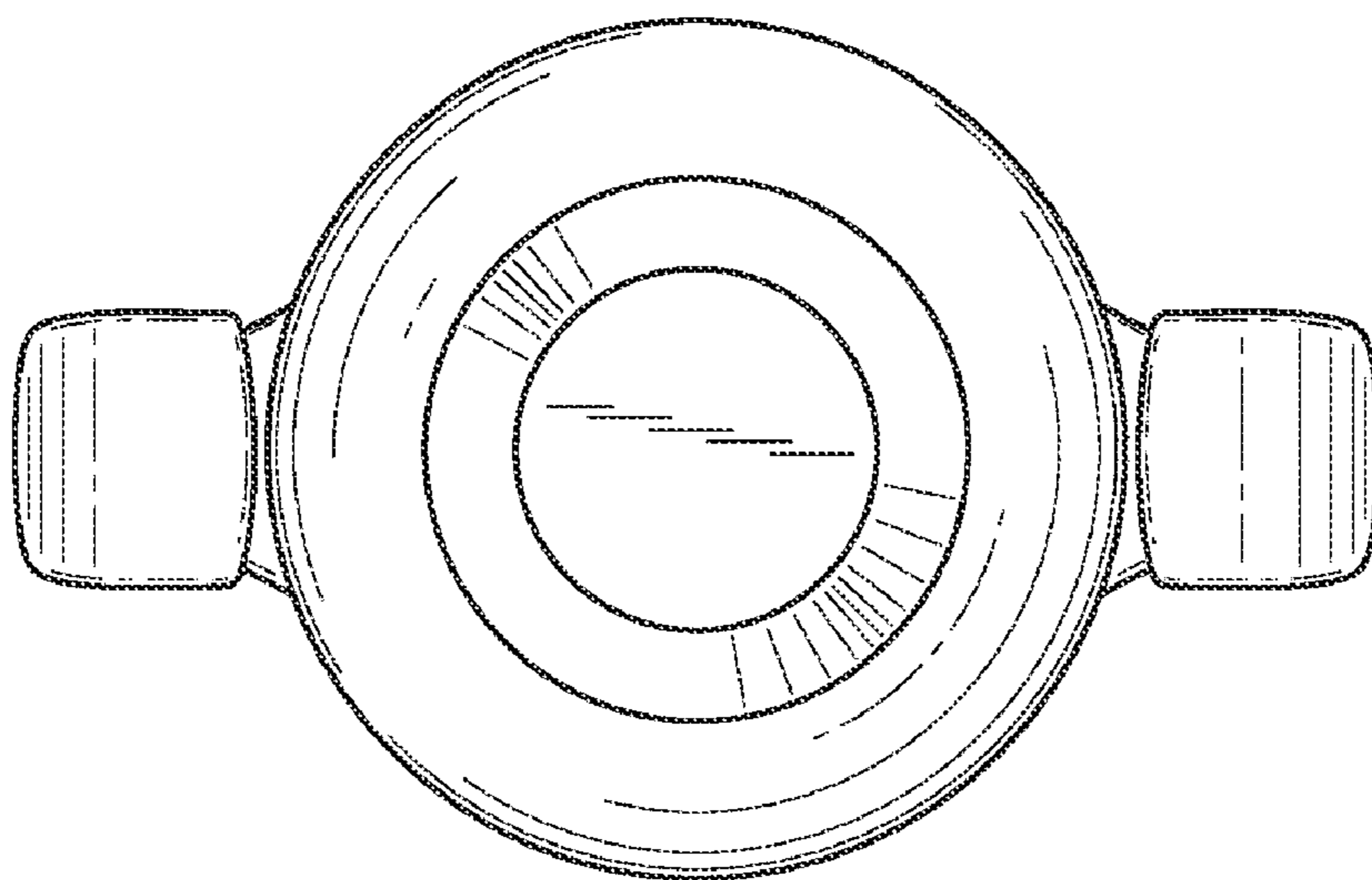
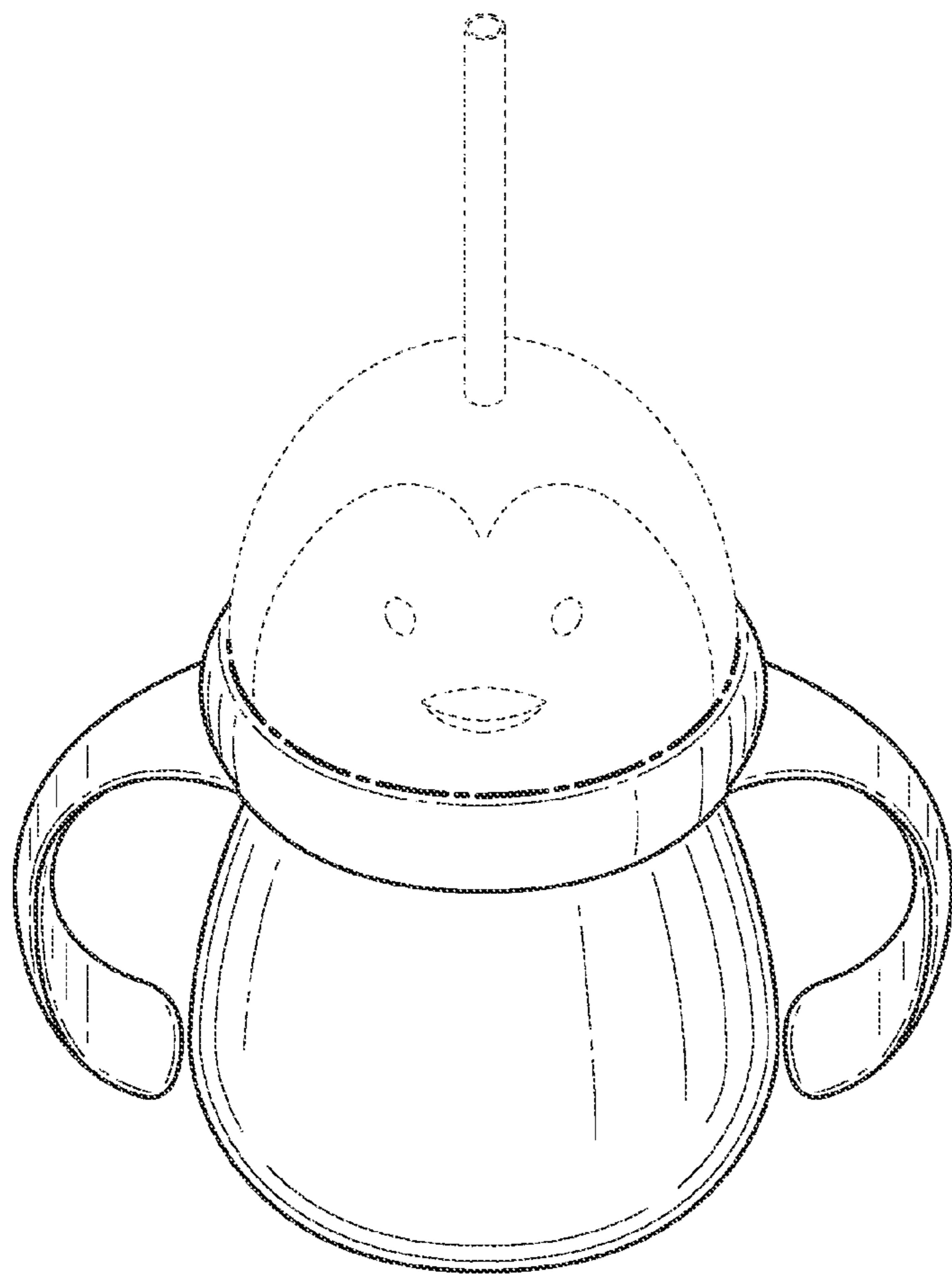
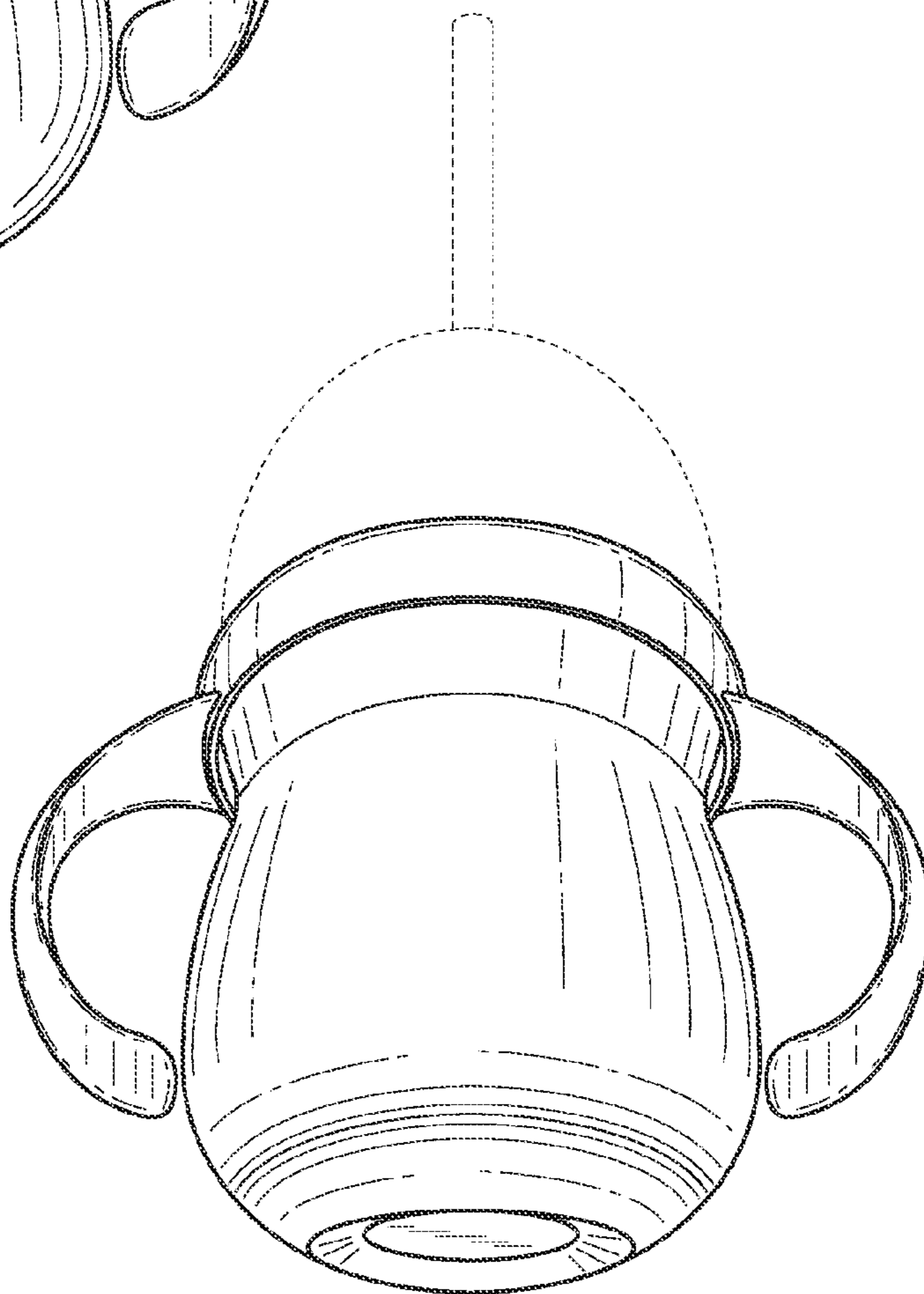


Fig. 6



**Fig. 7**



**Fig. 8**

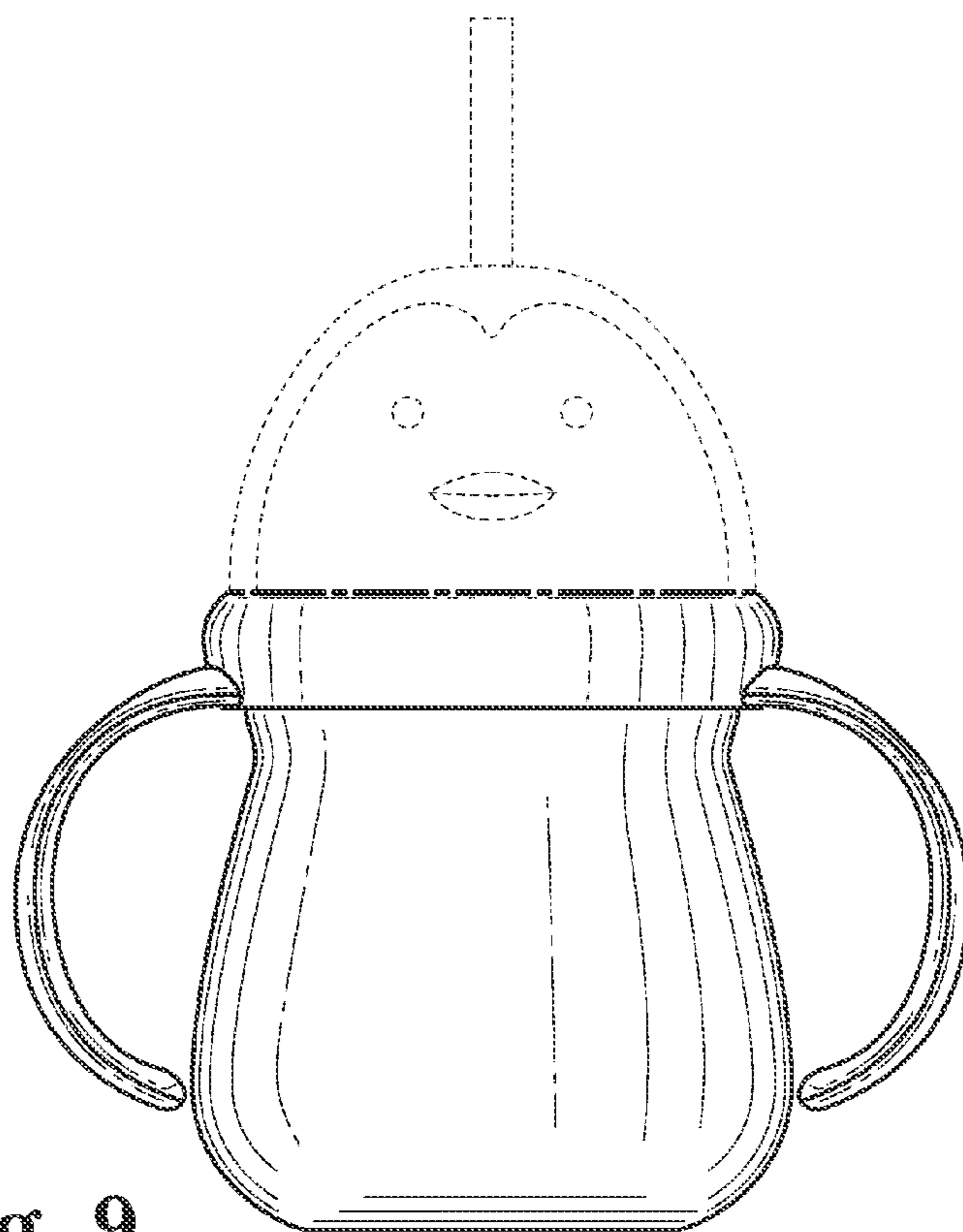


Fig. 9

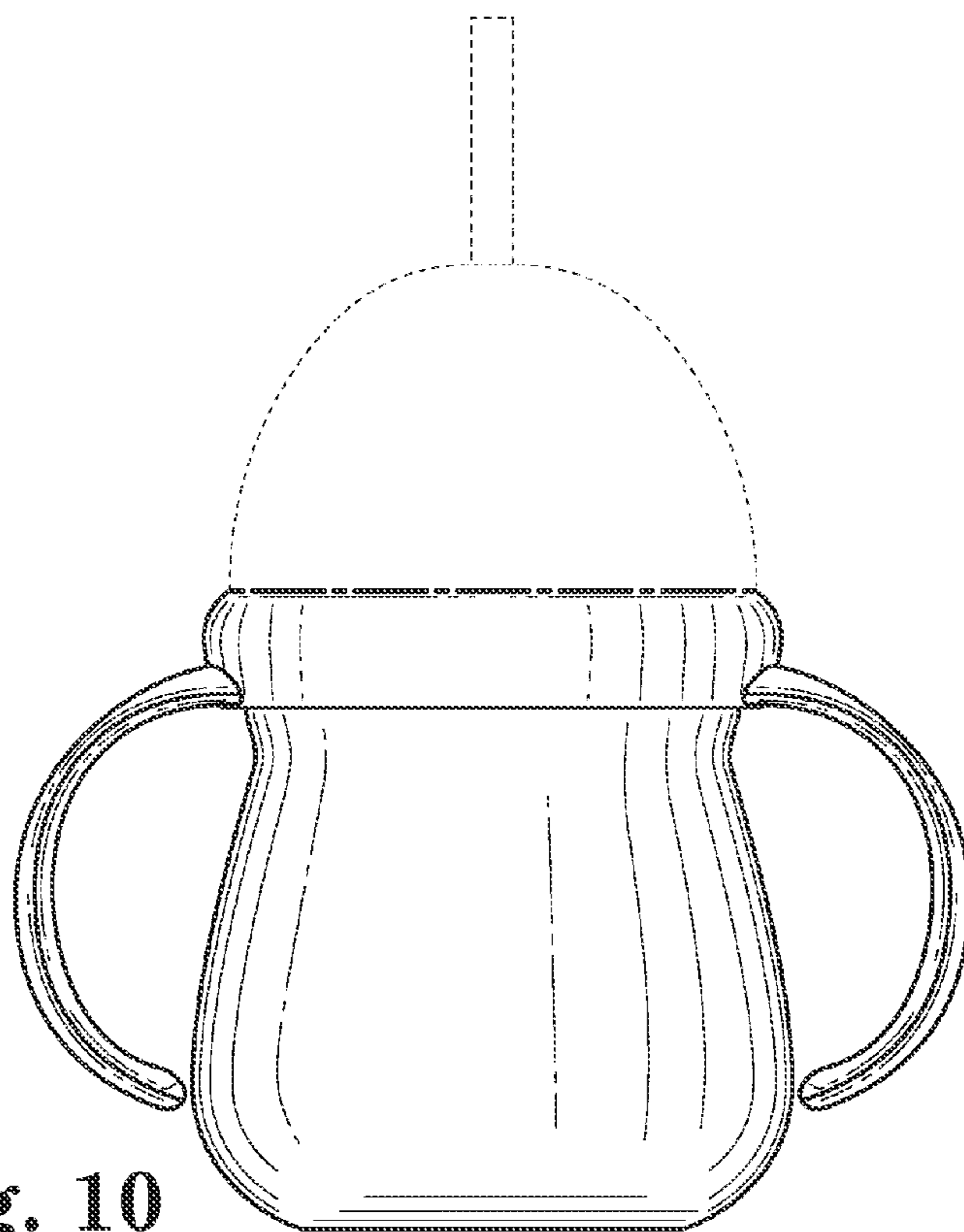


Fig. 10

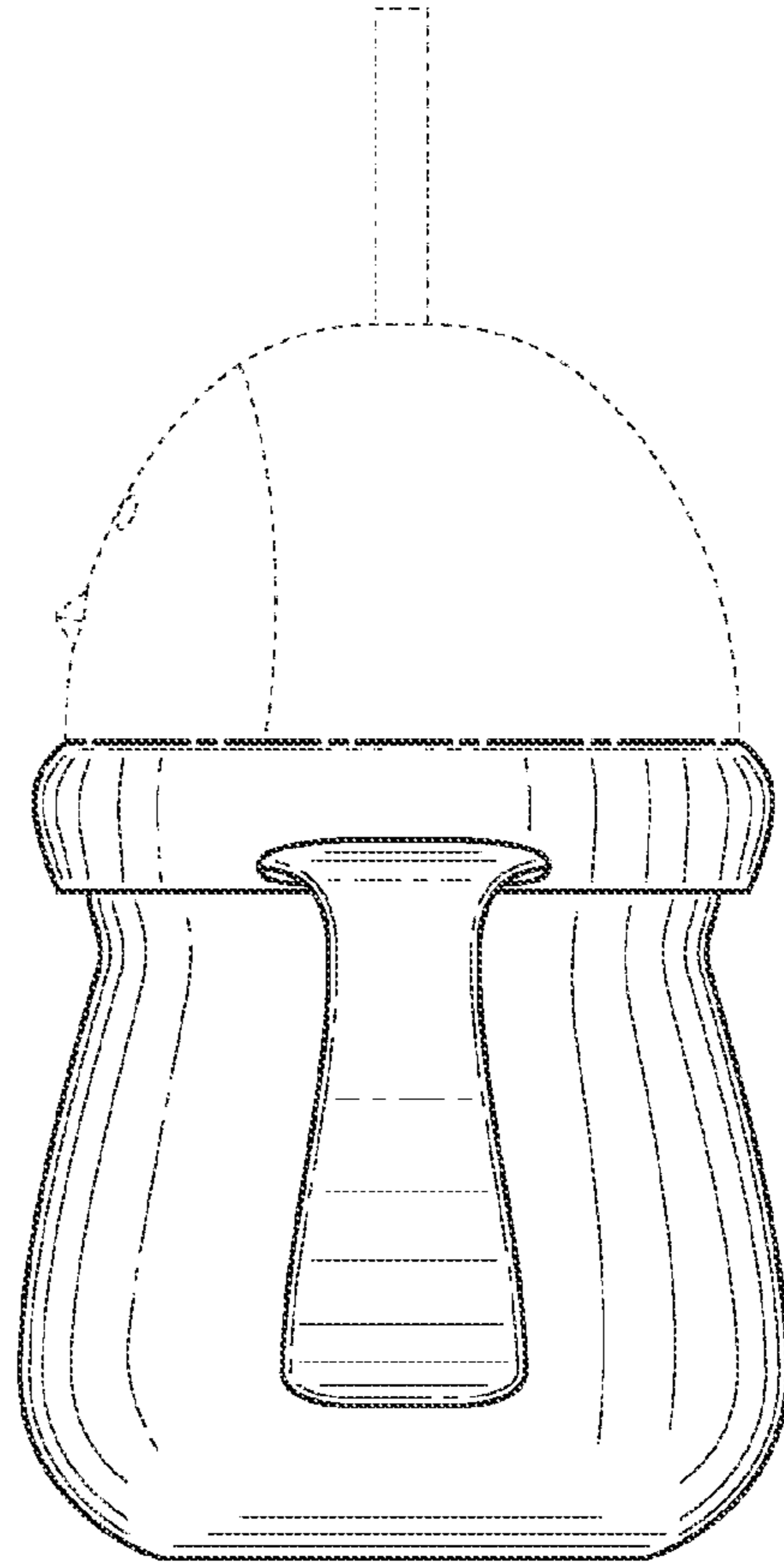


Fig. 11

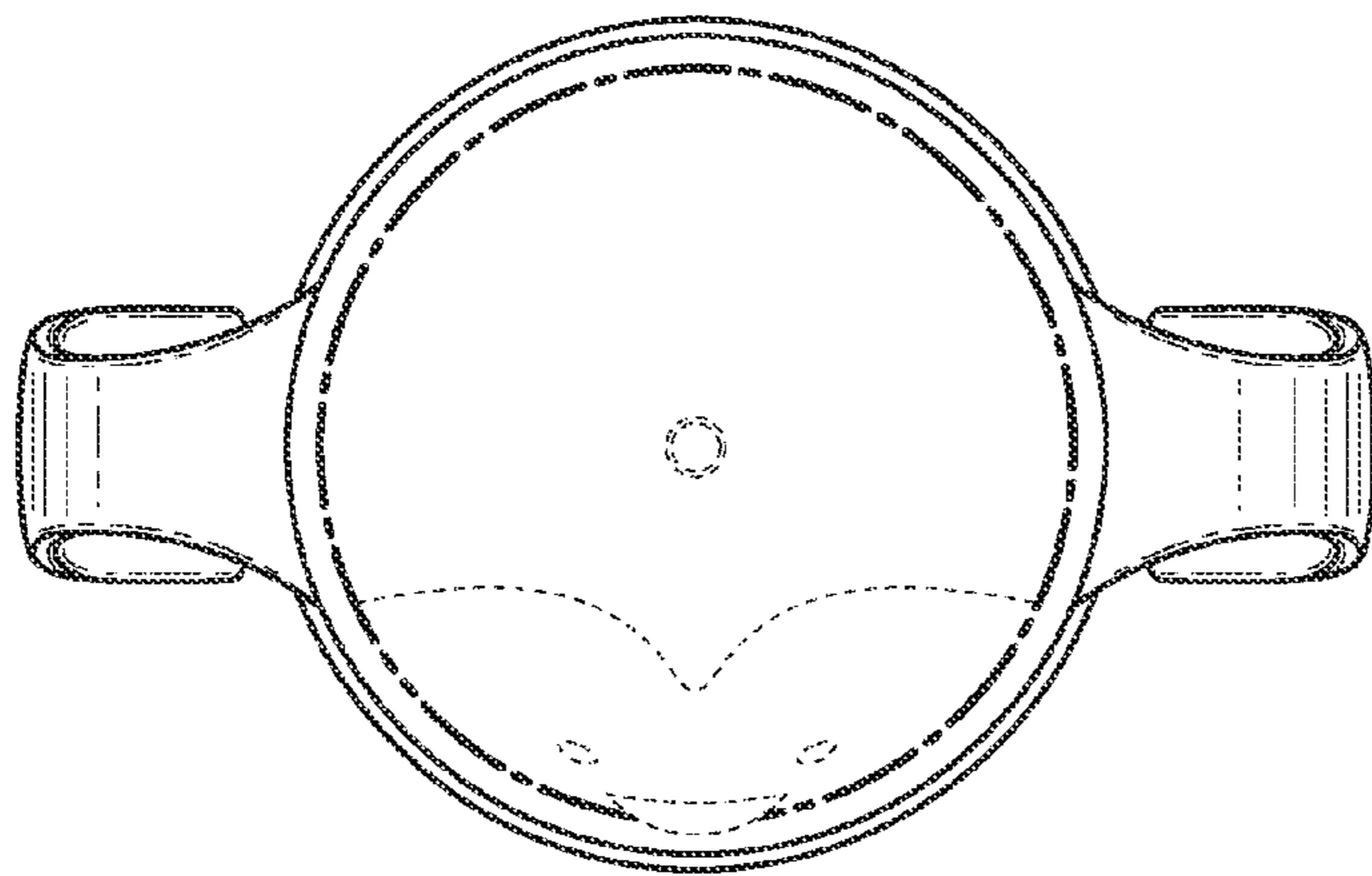


Fig. 12

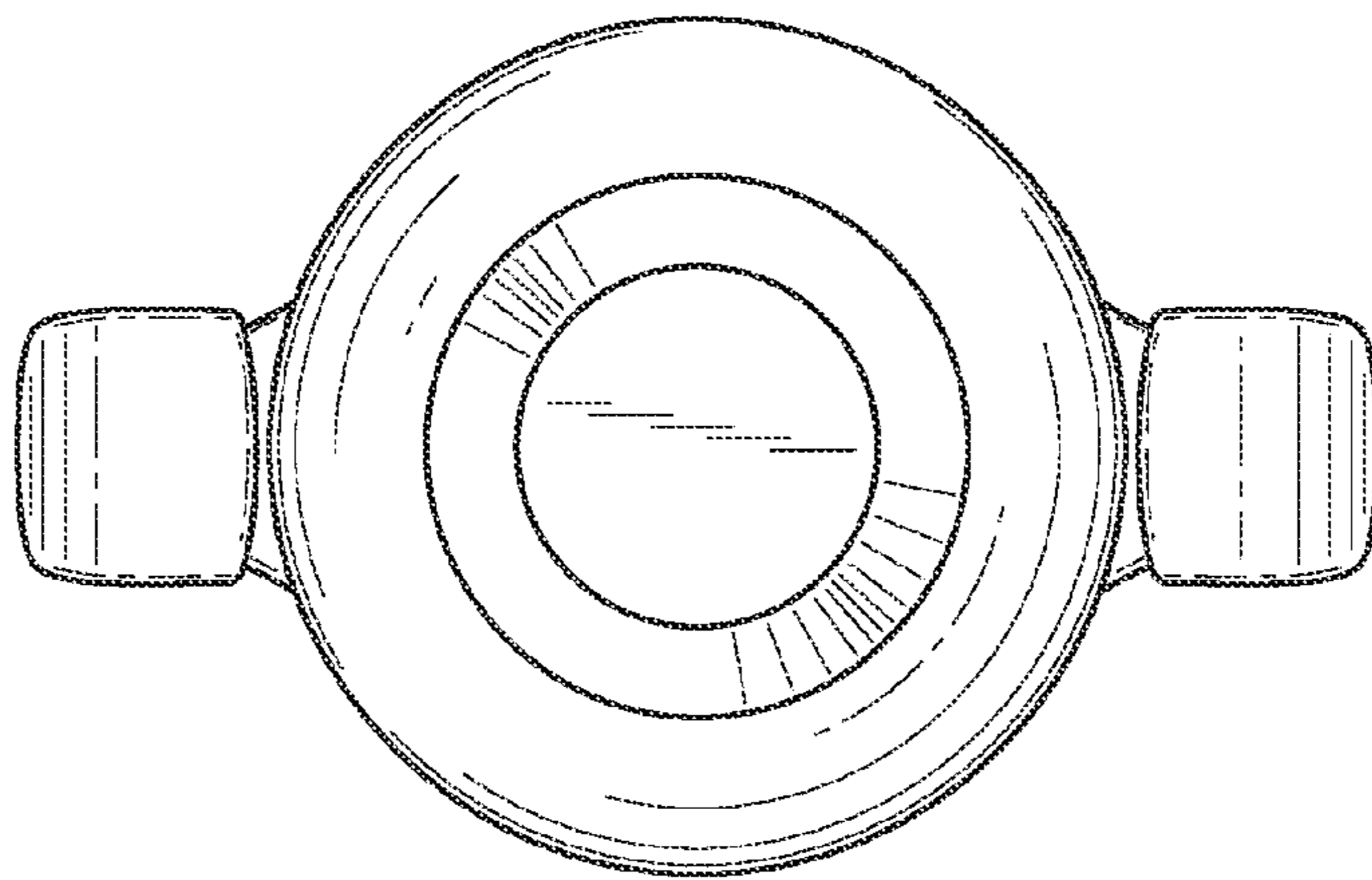
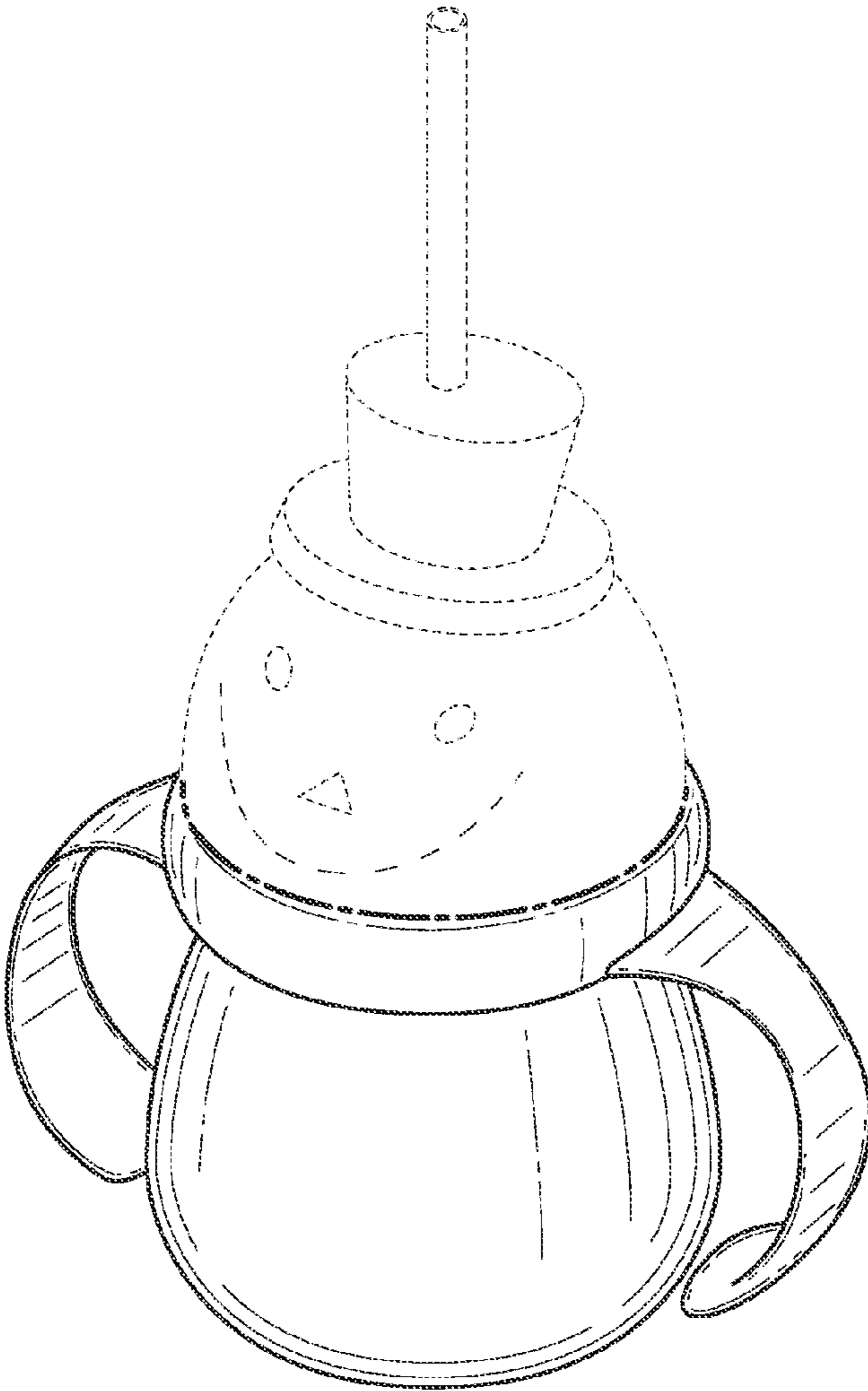
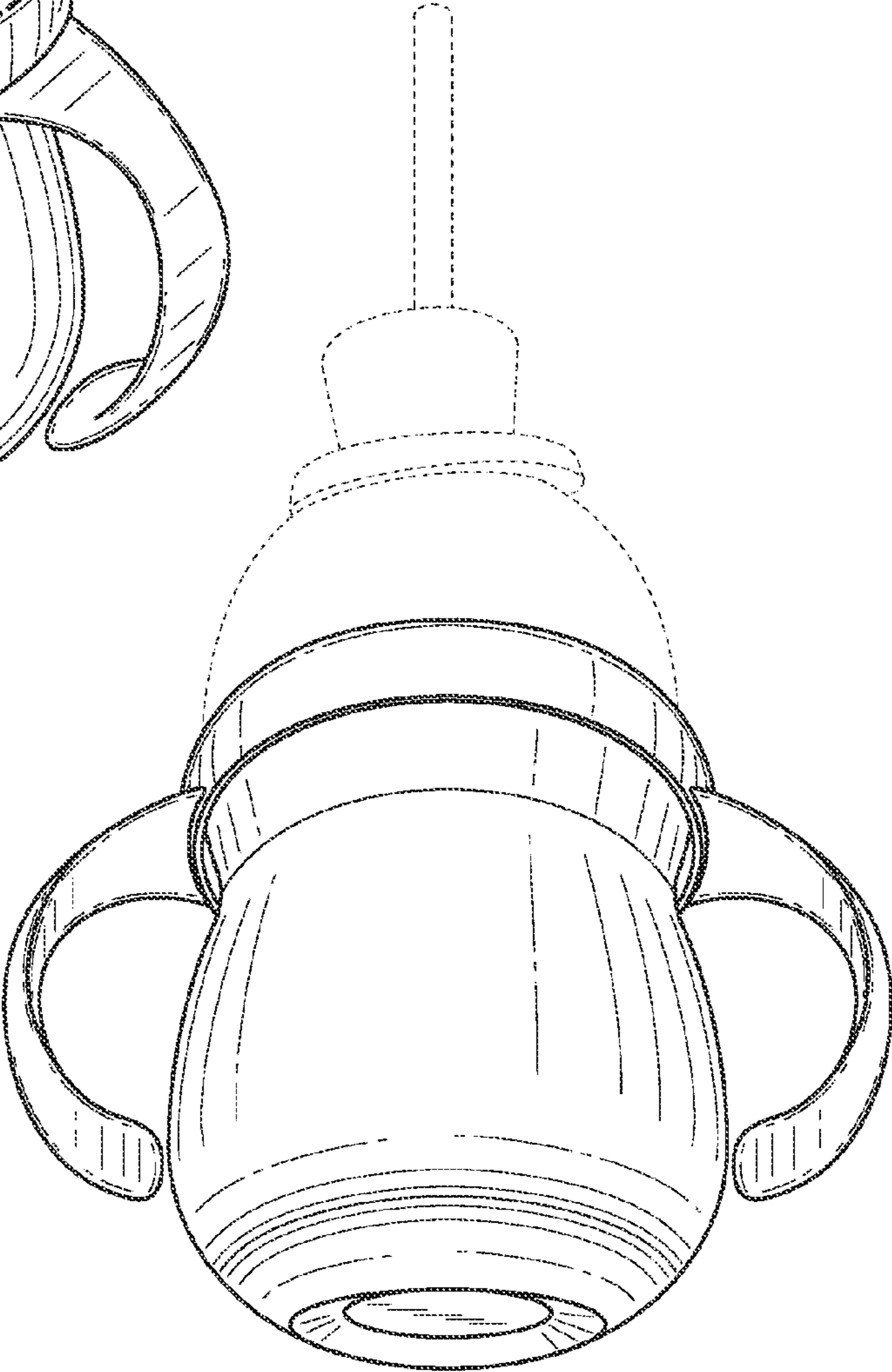


Fig. 13

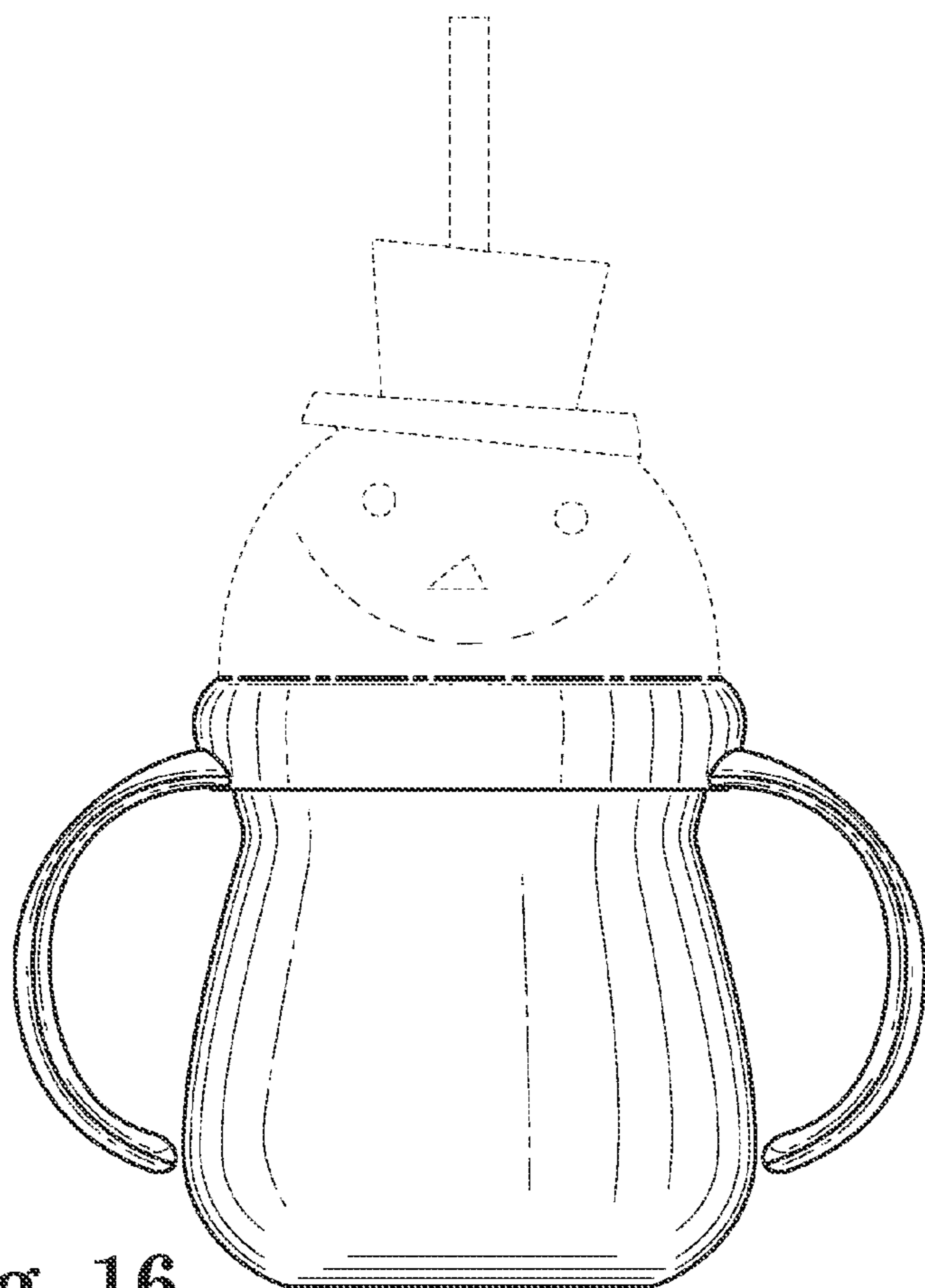




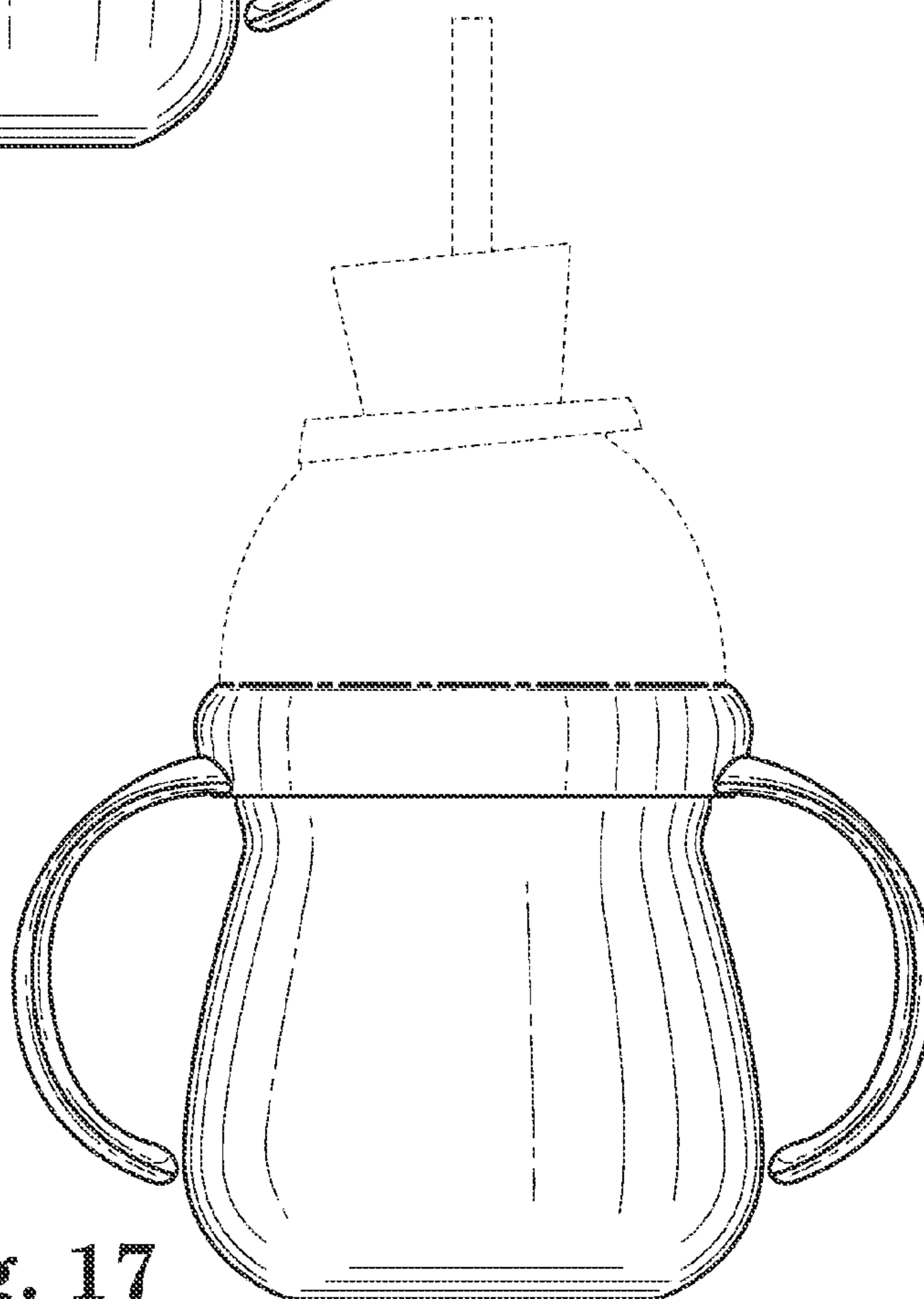
**Fig. 14**



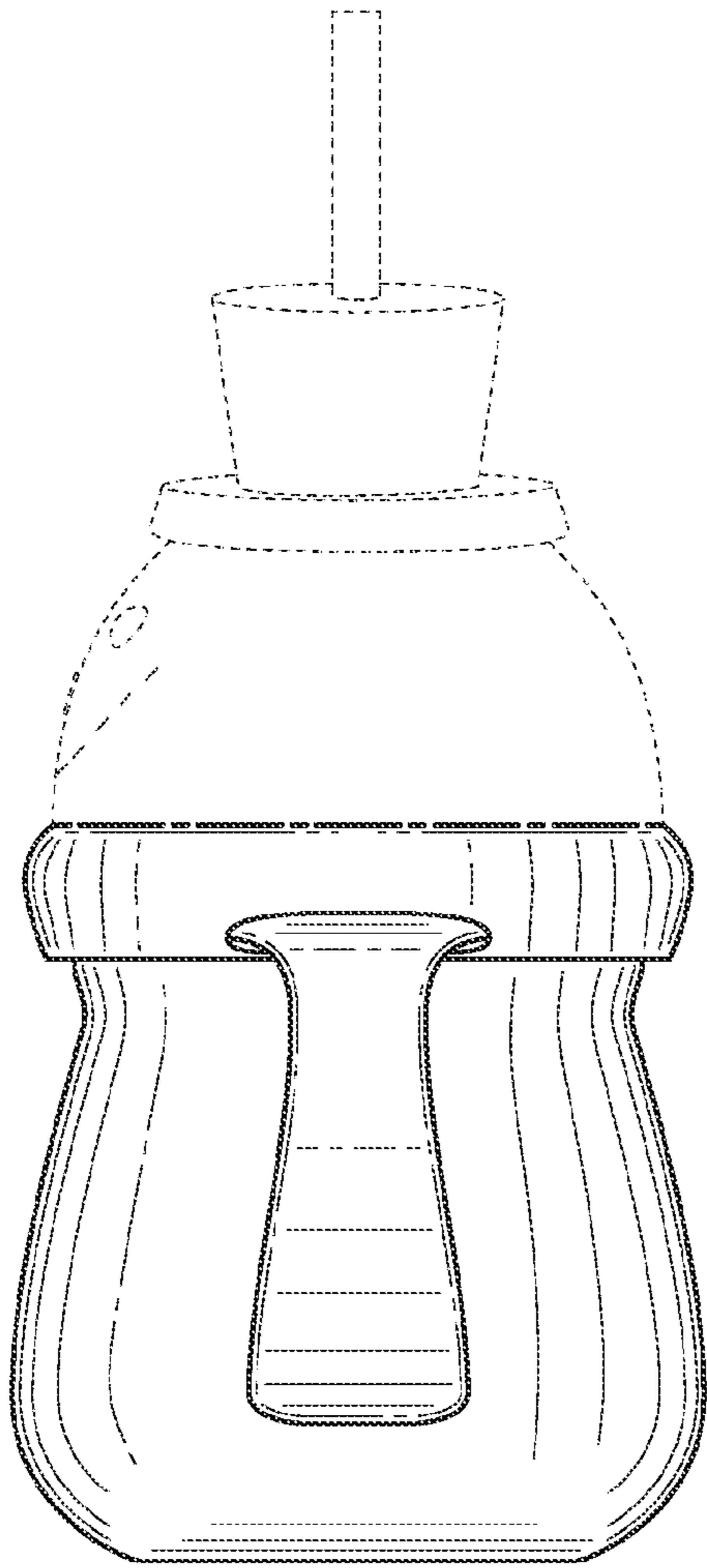
**Fig. 15**



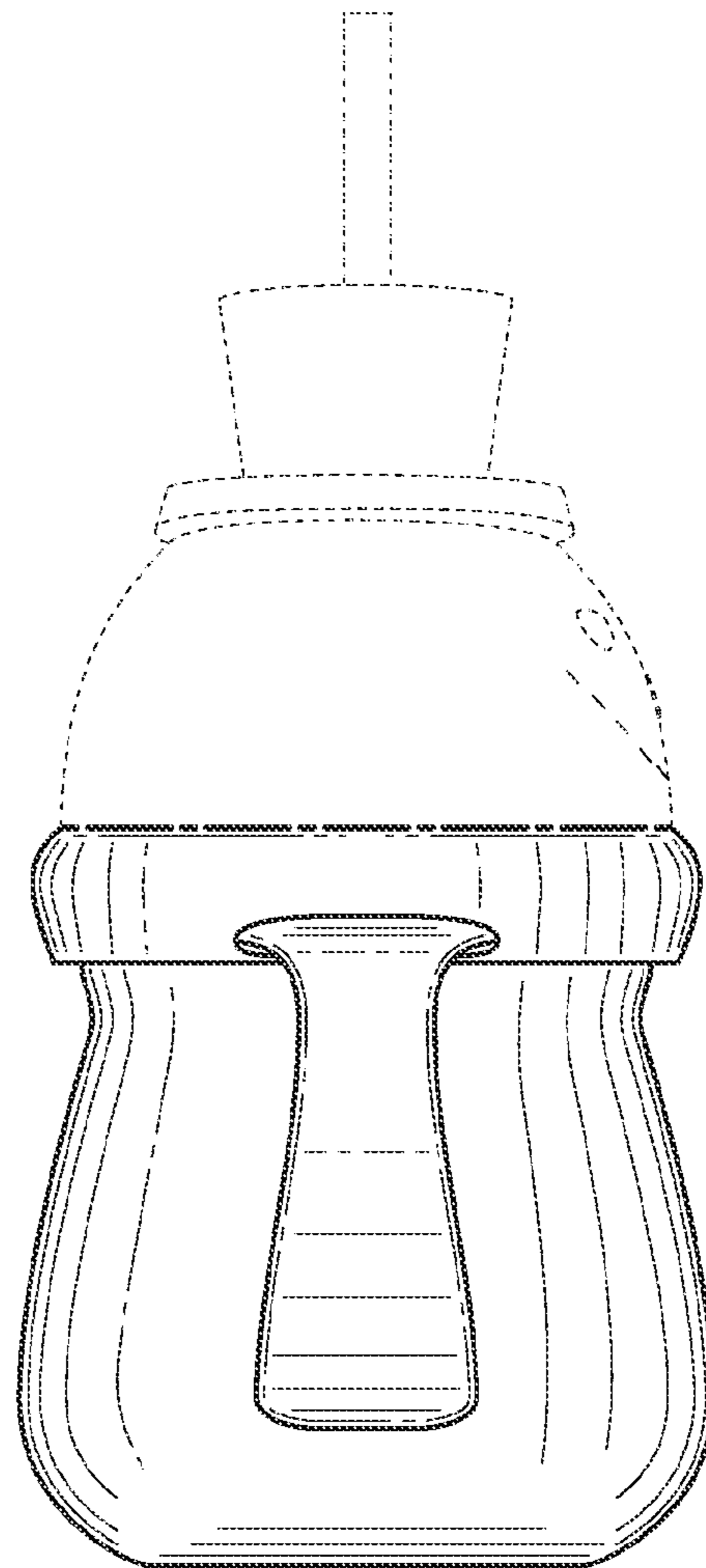
**Fig. 16**



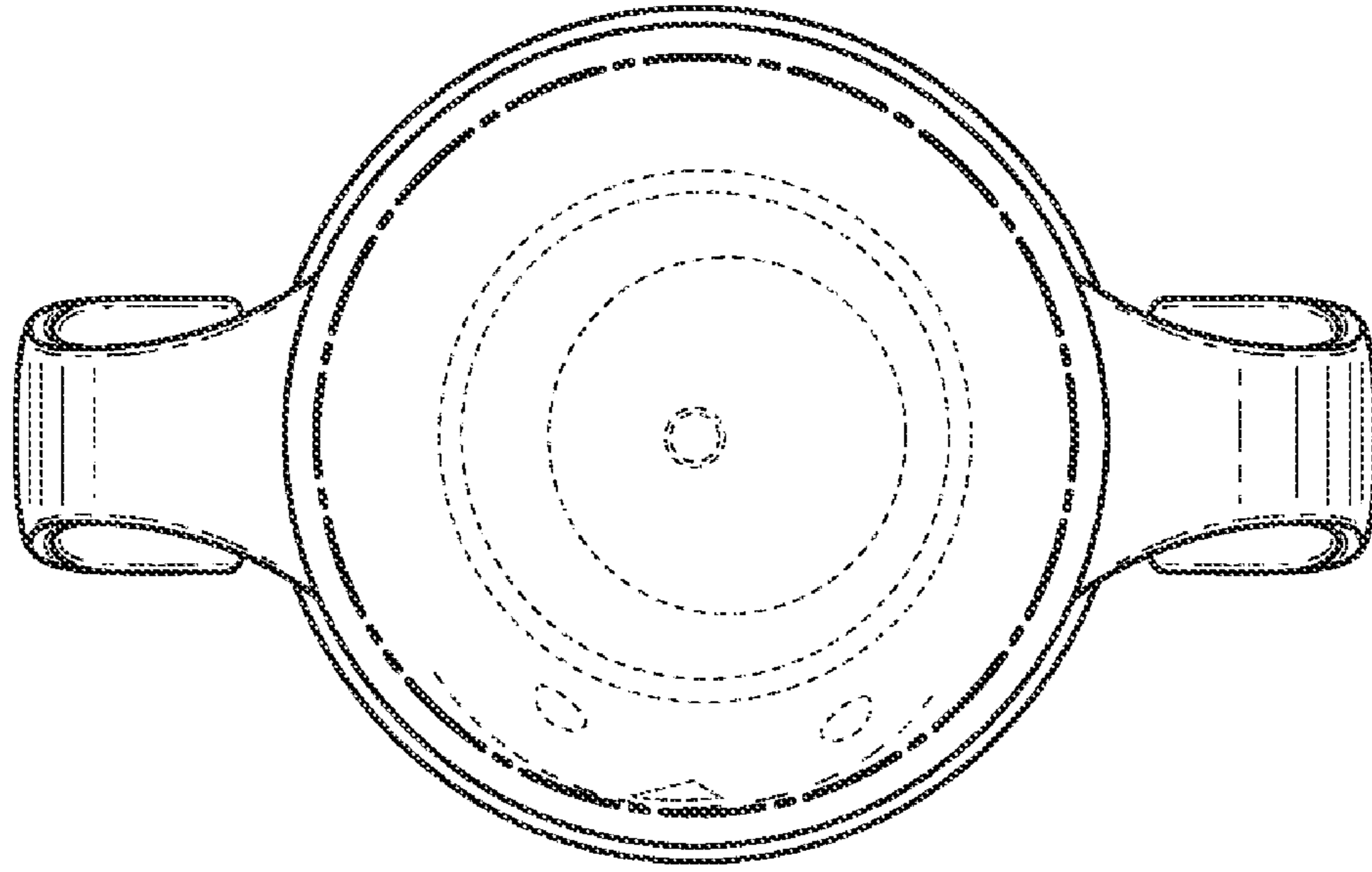
**Fig. 17**



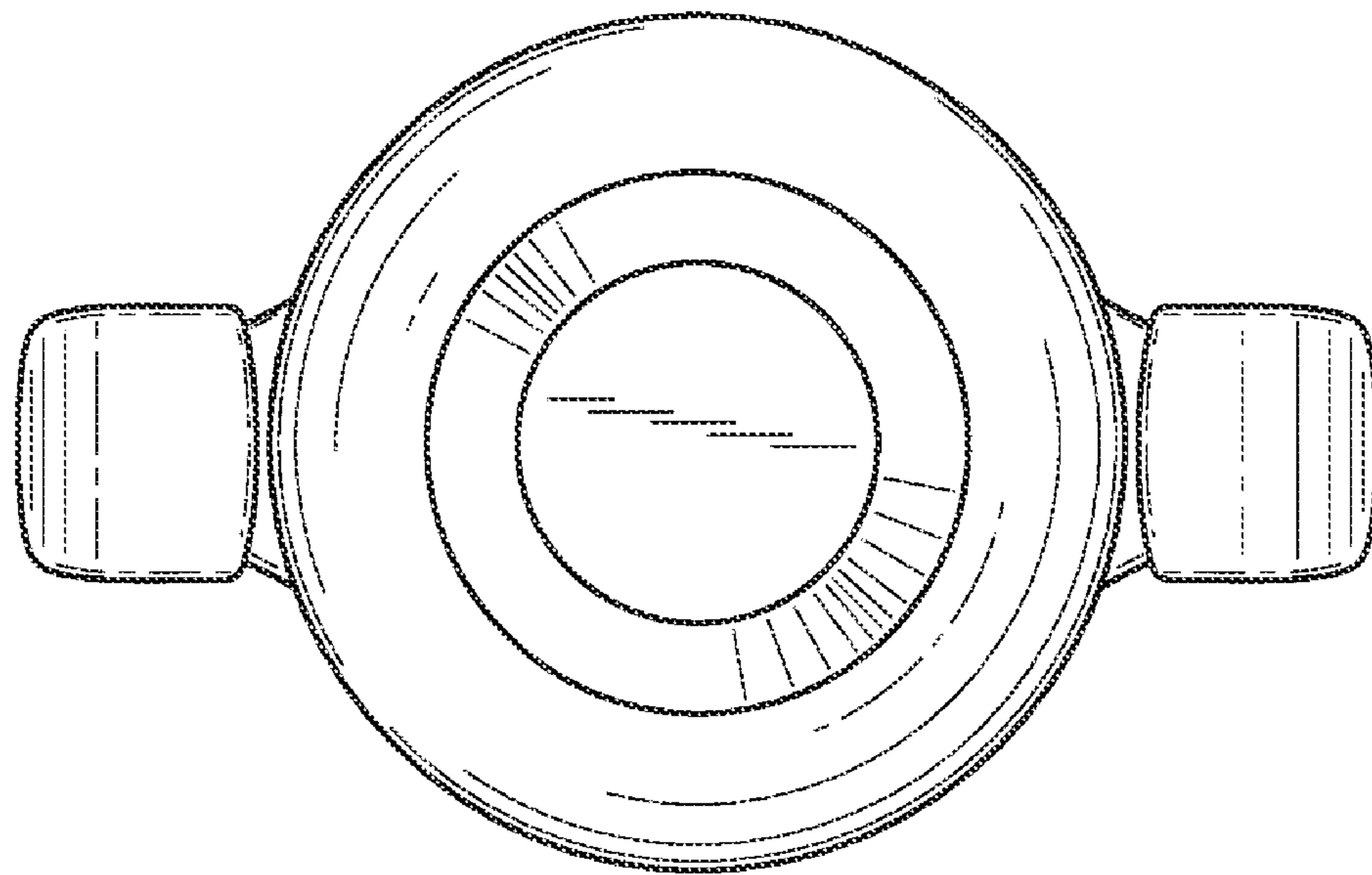
**Fig. 18**



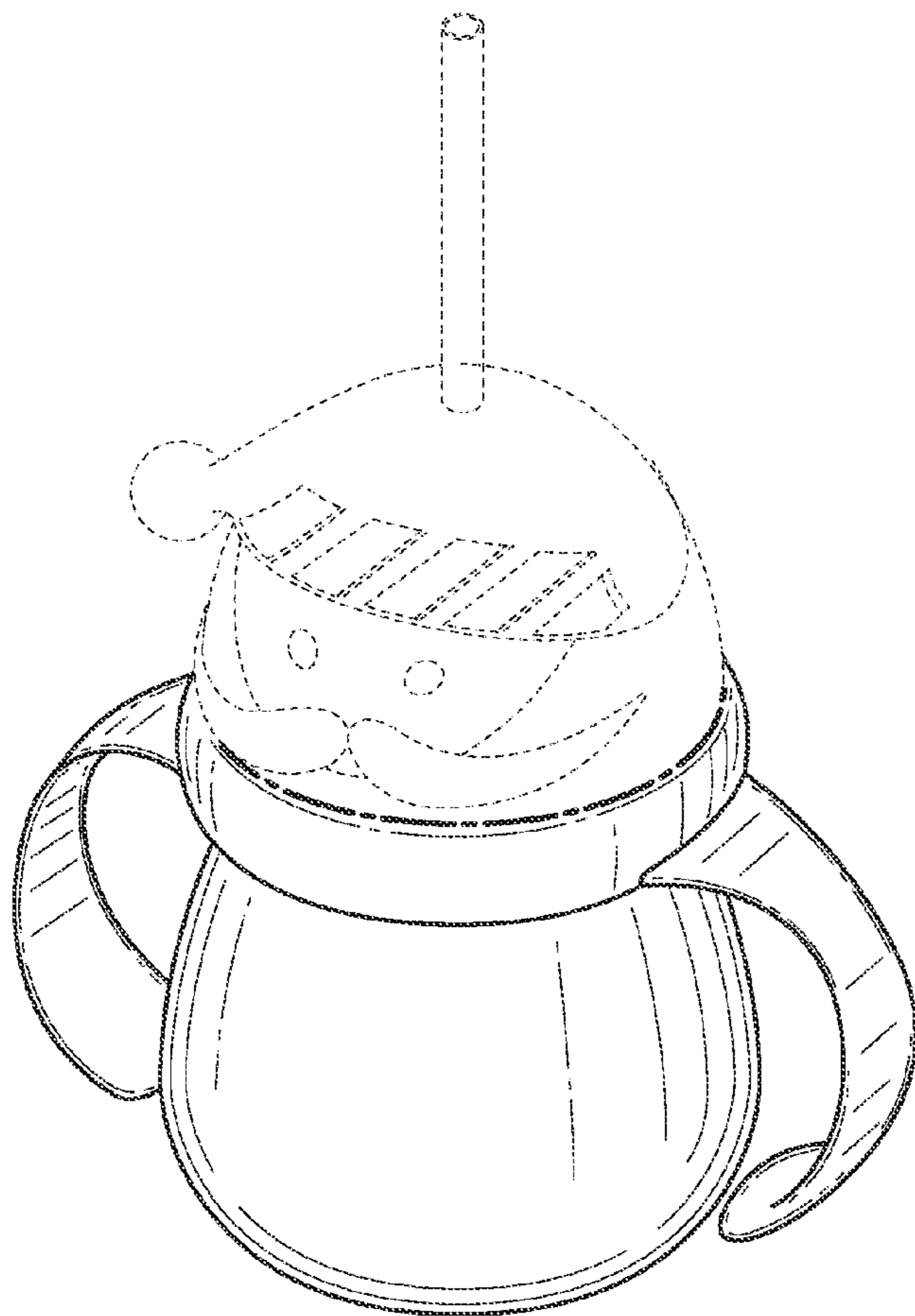
**Fig. 19**



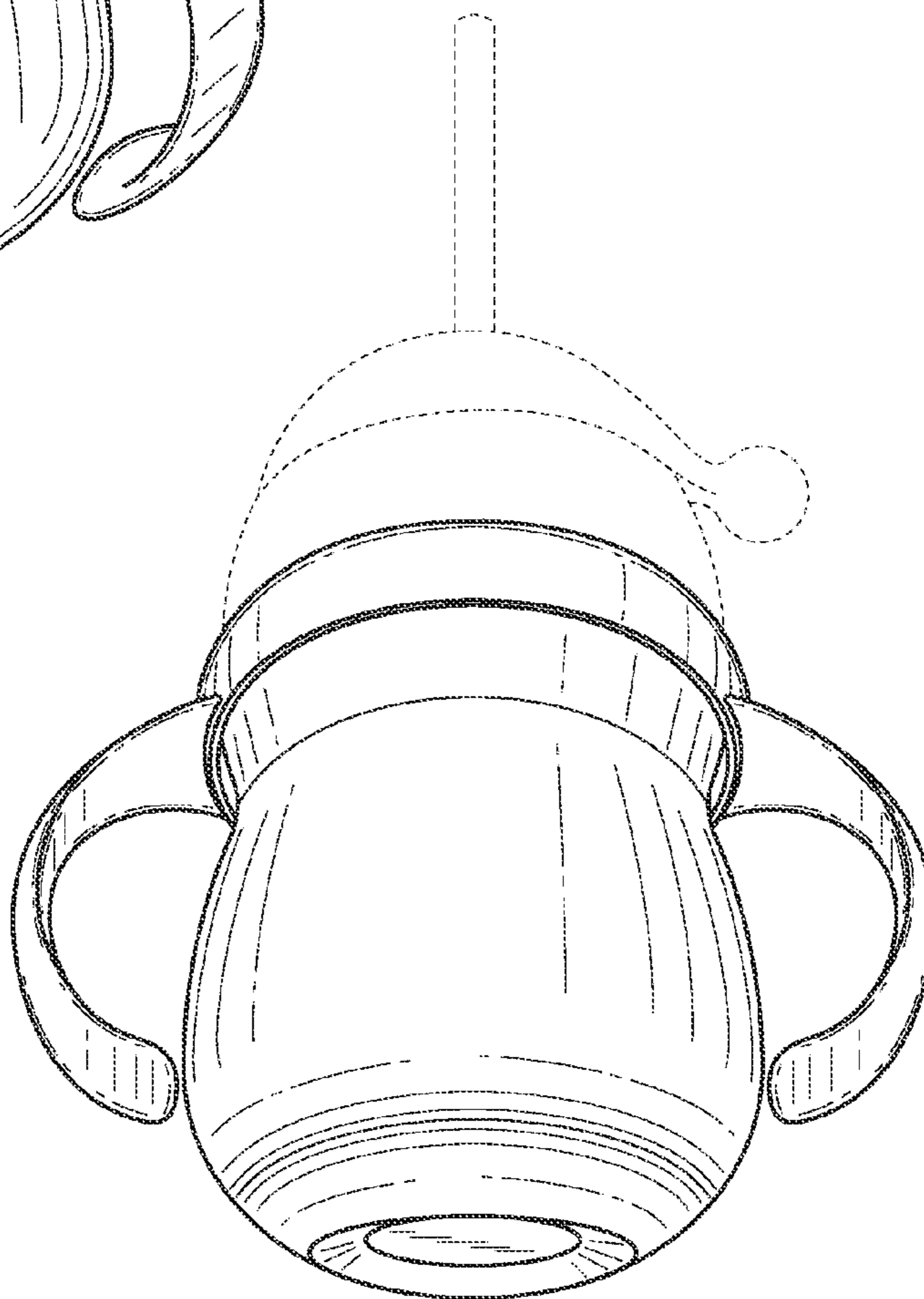
**Fig. 20**



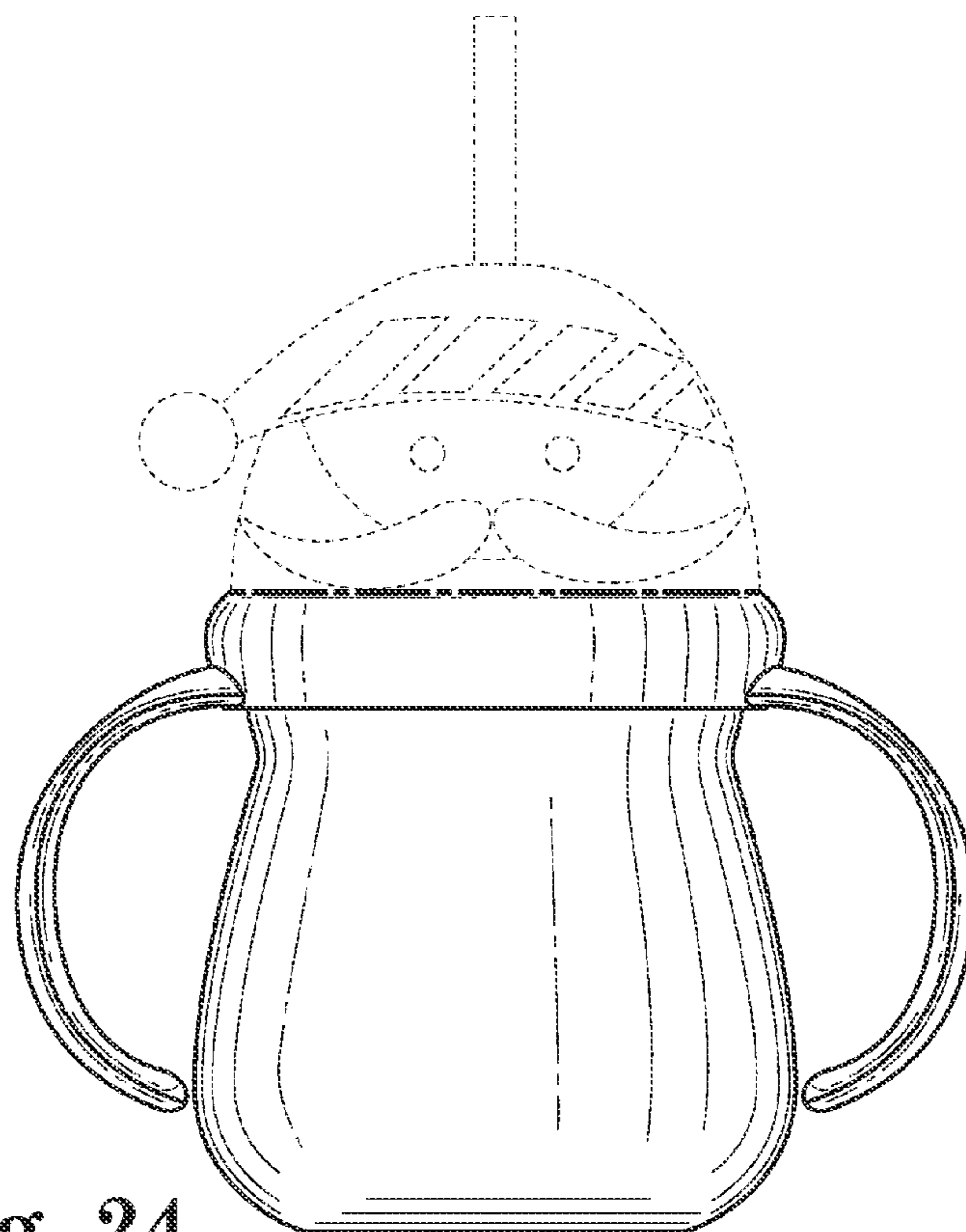
**Fig. 21**



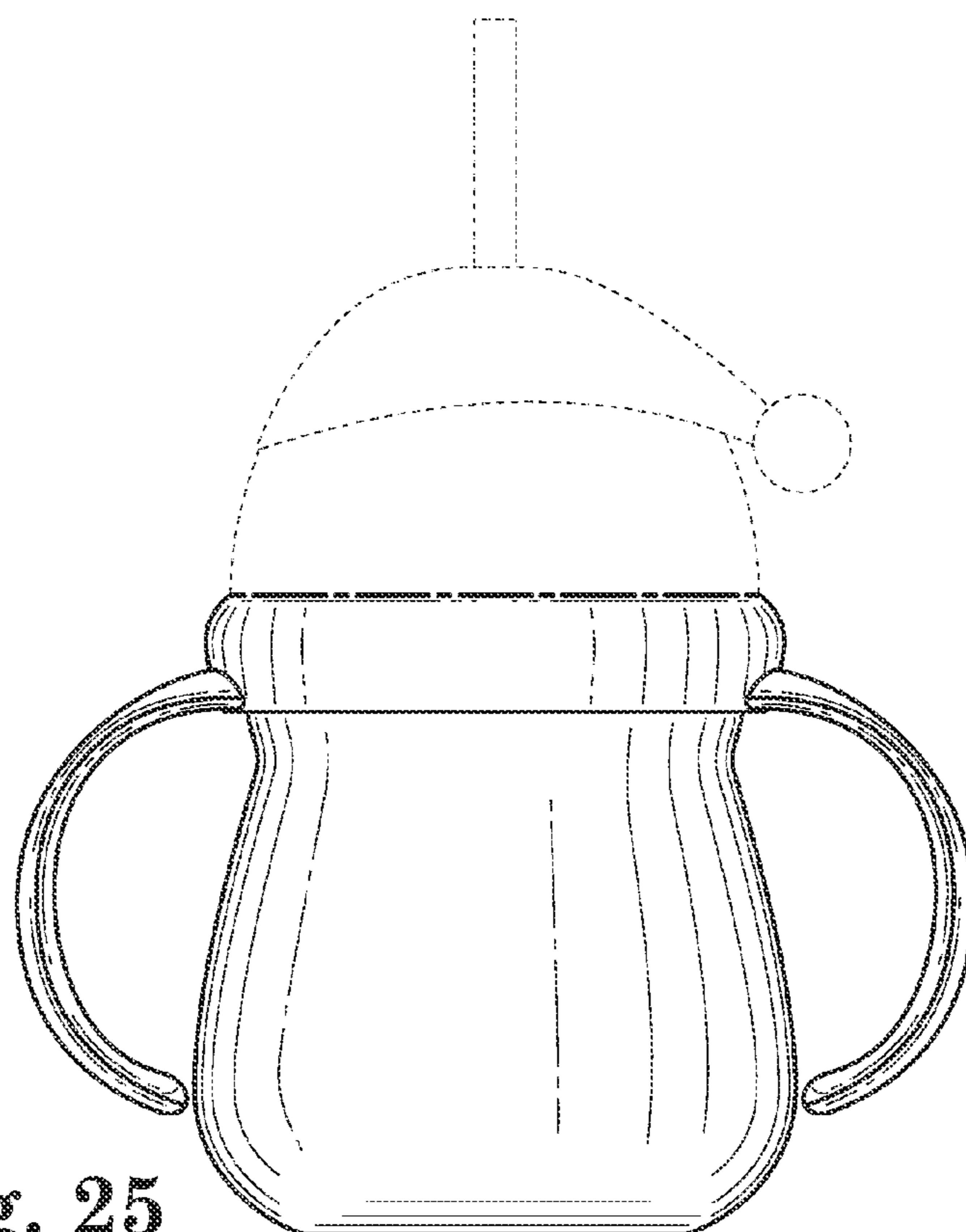
**Fig. 22**



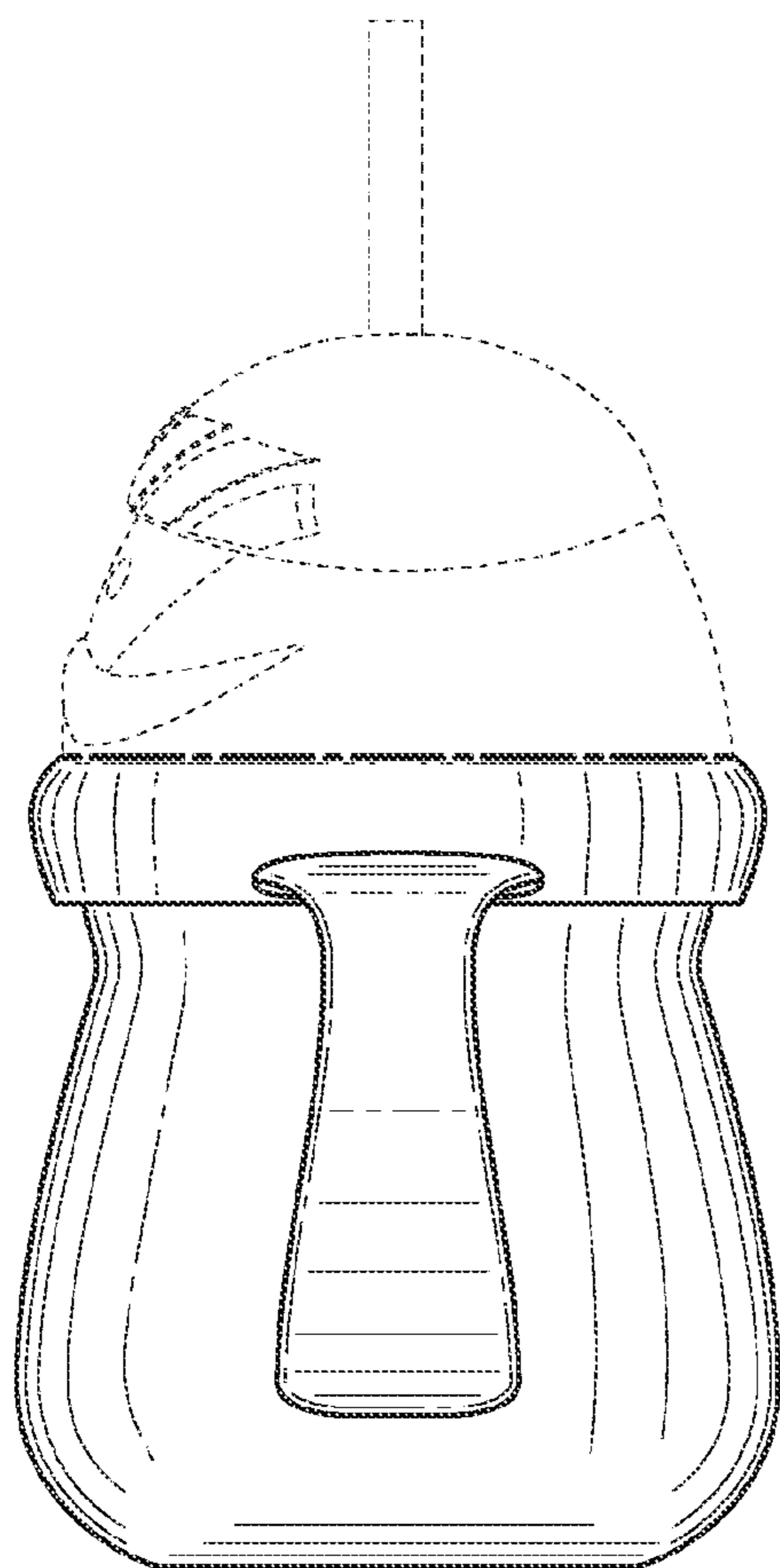
**Fig. 23**



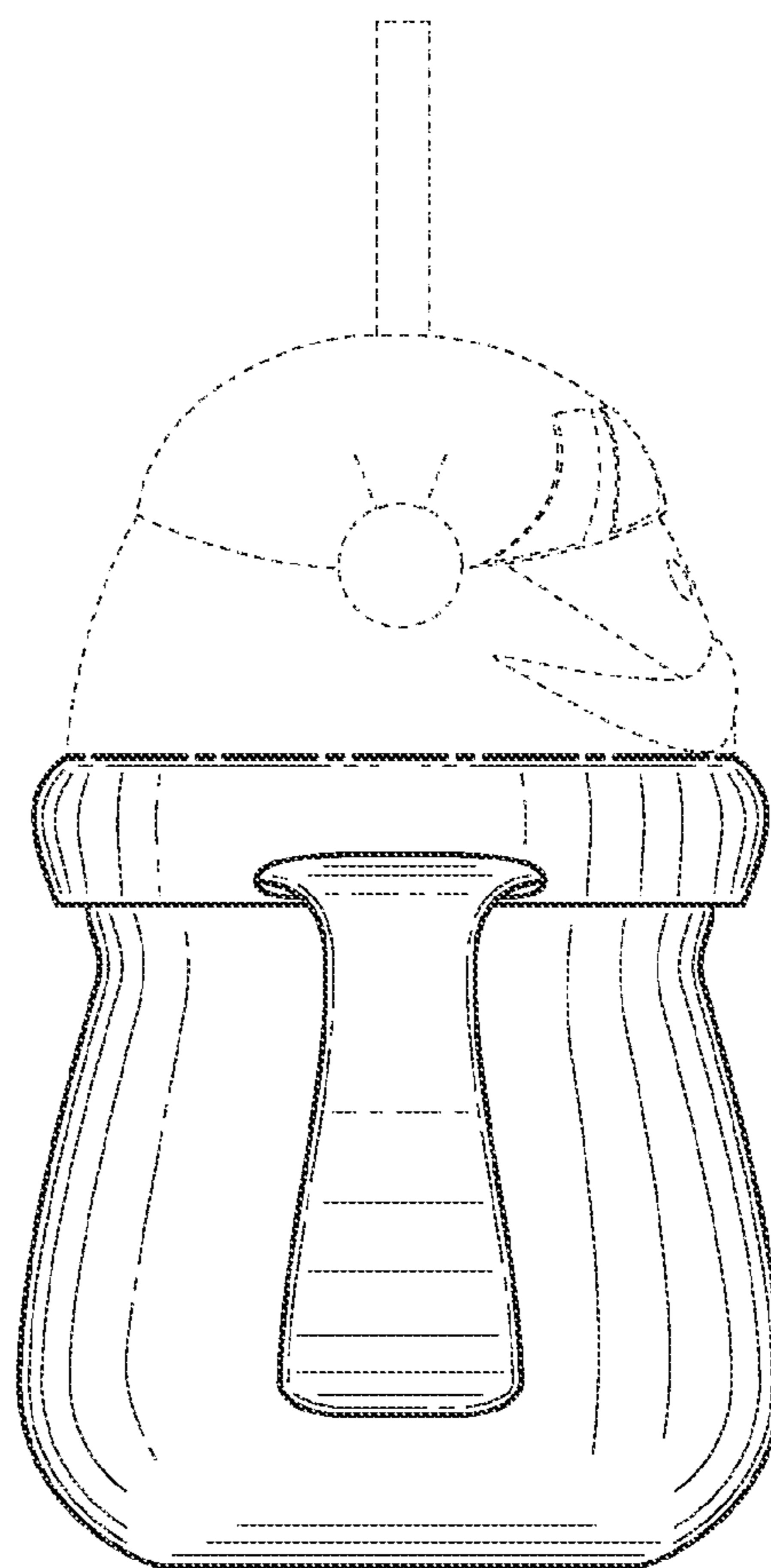
**Fig. 24**



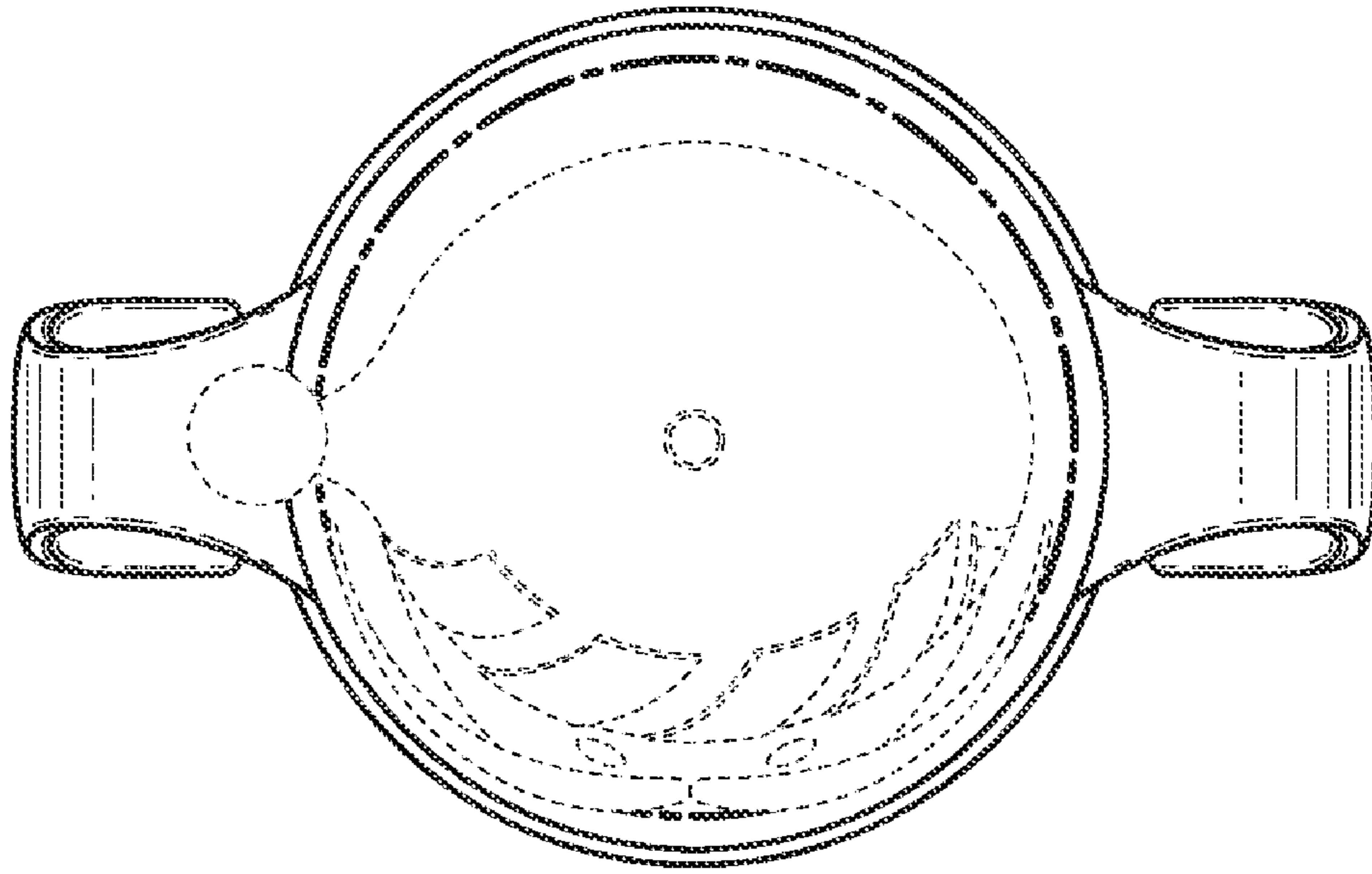
**Fig. 25**



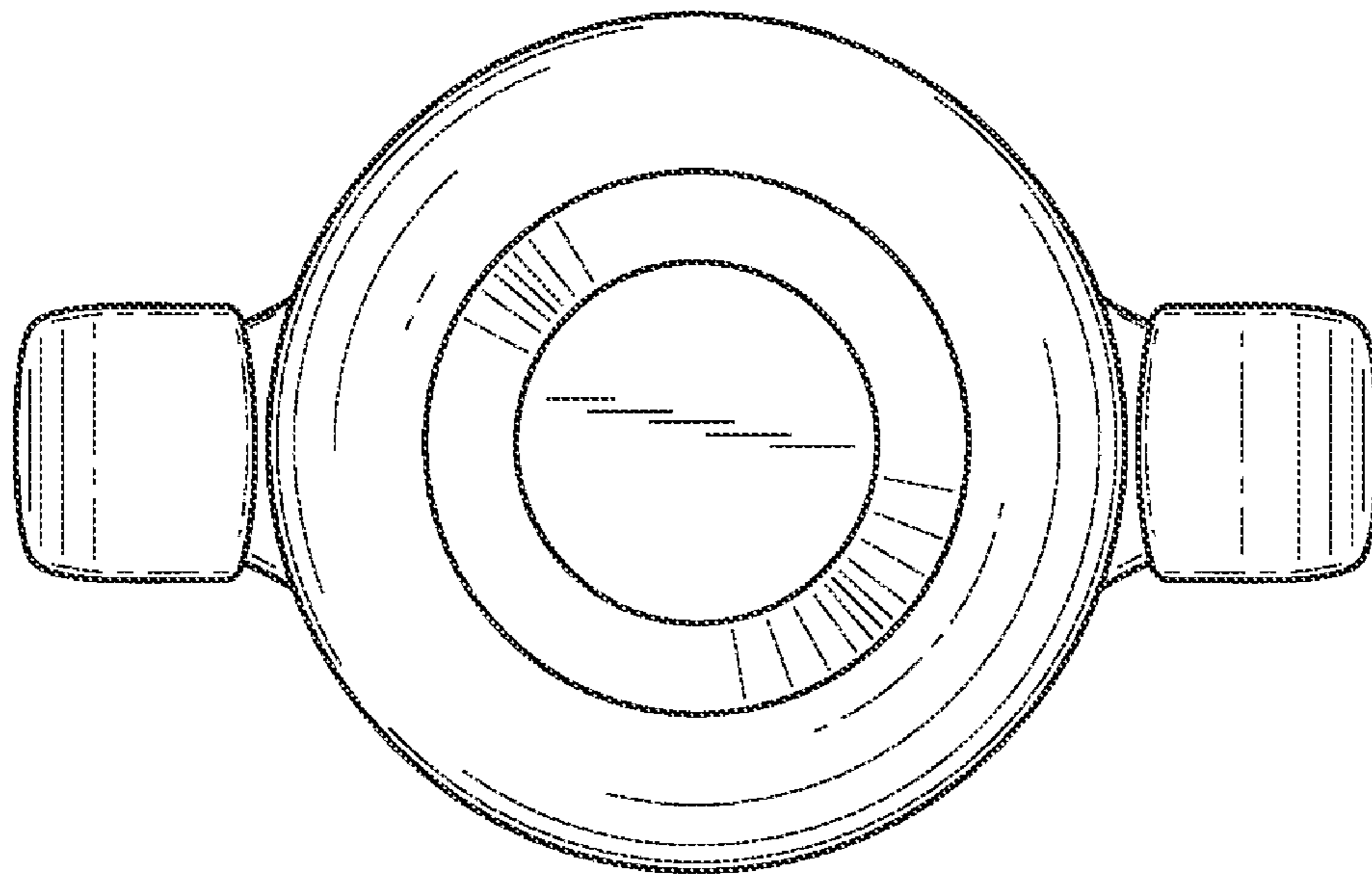
**Fig. 26**



**Fig. 27**



**Fig. 28**



**Fig. 29**