



US00D616705S

(12) **United States Design Patent**  
**DuBois**

(10) **Patent No.:** **US D616,705 S**  
(45) **Date of Patent:** **\*\* Jun. 1, 2010**

(54) **RECONFIGURABLE CONTAINER**

(76) Inventor: **Tiena Lou DuBois**, 22364 N. Sunset Dr.,  
Maricopa, AZ (US) 85239

(\*\*) Term: **14 Years**

(21) Appl. No.: **29/343,076**

(22) Filed: **Sep. 4, 2009**

(51) **LOC (9) Cl.** ..... **07-01**

(52) **U.S. Cl.** ..... **D7/510; D7/531; D7/523;**  
**D7/511**

(58) **Field of Classification Search** ..... **D7/505,**  
**D7/507, 523, 531, 512, 513, 510, 511, 509;**  
**D30/132, 129, 130; 248/311.2; 215/395;**  
**220/709, 23.83; D9/739, 744, 538, 569**  
See application file for complete search history.

(56) **References Cited**

**U.S. PATENT DOCUMENTS**

604,514	A *	5/1898	Belden	.....	215/382
2,928,372	A	2/1958	Farley		
2,920,804	A *	1/1960	Minton	.....	229/400
3,285,459	A *	11/1966	Gahm	.....	220/8
D229,320	S	11/1973	Kitson		
D230,034	S	1/1974	Goldman		
D230,387	S *	2/1974	Donan	.....	D7/531
3,888,211	A	6/1975	Allen		
D239,151	S *	3/1976	Lundin	.....	D7/523
3,995,595	A	12/1976	Williams		
4,039,435	A *	8/1977	Narva	.....	206/217
D254,495	S *	3/1980	Roebuck	.....	D15/122
D258,483	S *	3/1981	Weinstein	.....	D7/511
D267,140	S *	12/1982	Thompson	.....	D7/531
D274,695	S *	7/1984	Kennedy	.....	D9/503
D285,999	S *	10/1986	Ludwick et al.	.....	D7/523
D290,323	S *	6/1987	Weernink	.....	D7/511
D300,477	S	3/1989	Terbush		
4,823,958	A *	4/1989	Mahmud	.....	206/561
D311,330	S *	10/1990	Hamamura	.....	D9/428
D313,486	S	1/1991	Conner		
D322,868	S *	12/1991	Johnson	.....	D30/132
5,085,330	A *	2/1992	Paulin	.....	215/6
D326,168	S	5/1992	Smith		

D331,013	S *	11/1992	Hamamura	.....	D9/428
5,174,534	A *	12/1992	Mitchell	.....	248/311.2
D332,893	S *	2/1993	Patternson	.....	D7/510
D338,288	S	8/1993	Key		
D353,233	S	12/1994	Robles		
D397,911	S *	9/1998	Waldmann	.....	D7/507
D400,316	S *	10/1998	Kolterman et al.	.....	D30/132
D407,864	S	4/1999	Olaiz		
D421,364	S *	3/2000	Kristiansen et al.	.....	D7/531
D448,127	S	9/2001	Zelinger		
D451,648	S	12/2001	Johnson		
6,427,864	B1 *	8/2002	Asselin	.....	220/709
D466,256	S	11/2002	Kaplan		
D466,755	S *	12/2002	Henry	.....	D7/323

(Continued)

*Primary Examiner*—Marianne Pandozzi  
(74) *Attorney, Agent, or Firm*—QuickPatents, Inc.; Kevin Prince

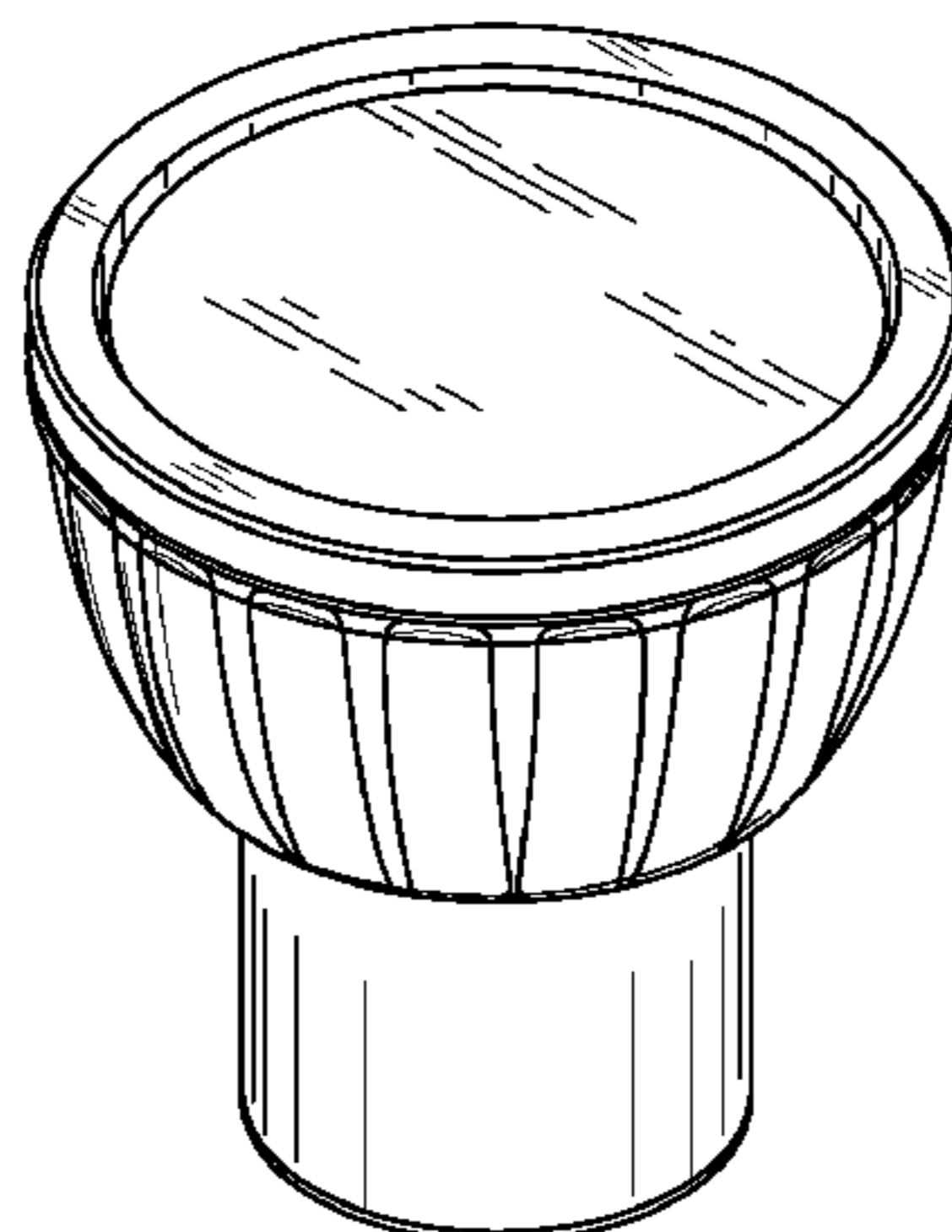
(57) **CLAIM**

I claim the ornamental design for a reconfigurable container, as shown and described.

**DESCRIPTION**

FIG. 1 is a perspective view of a reconfigurable container showing my new design;  
FIG. 2 is a front elevational view thereof, all sides being the same;  
FIG. 3 is a cross-sectional view taken along line 6—6 of FIG. 4;  
FIG. 4 is a top plan view thereof;  
FIG. 5 is a bottom plan view thereof; and,  
FIG. 6 is an exploded perspective view thereof.  
The broken lines showing an automobile and cup holder in FIG. 1 are included for the purpose of illustrating the invention in use, and form no part of the claimed design.

**1 Claim, 2 Drawing Sheets**



# US D616,705 S

Page 2

---

## U.S. PATENT DOCUMENTS

D485,123 S *	1/2004	Gullickson et al. ....	D7/510	D566,467 S *	4/2008	Starck .....	D7/505
D510,497 S *	10/2005	Hou .....	D7/300.1	D590,551 S	4/2009	Sperbeck	
D561,021 S	2/2008	DuVal		D600,977 S *	9/2009	Mansfield .....	D7/523
				D604,984 S *	12/2009	Kalamaras .....	D7/300.1

\* cited by examiner

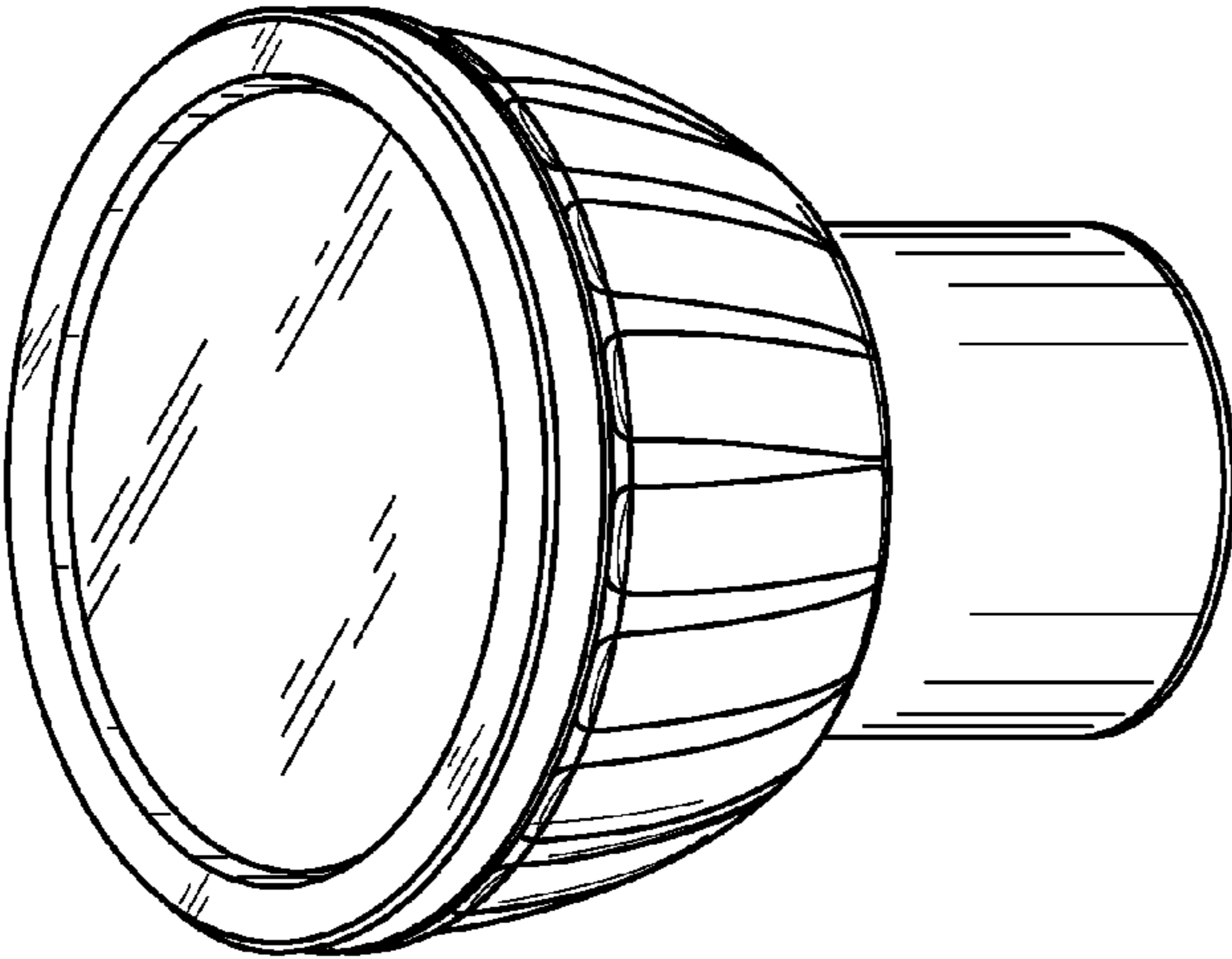


FIG. 1

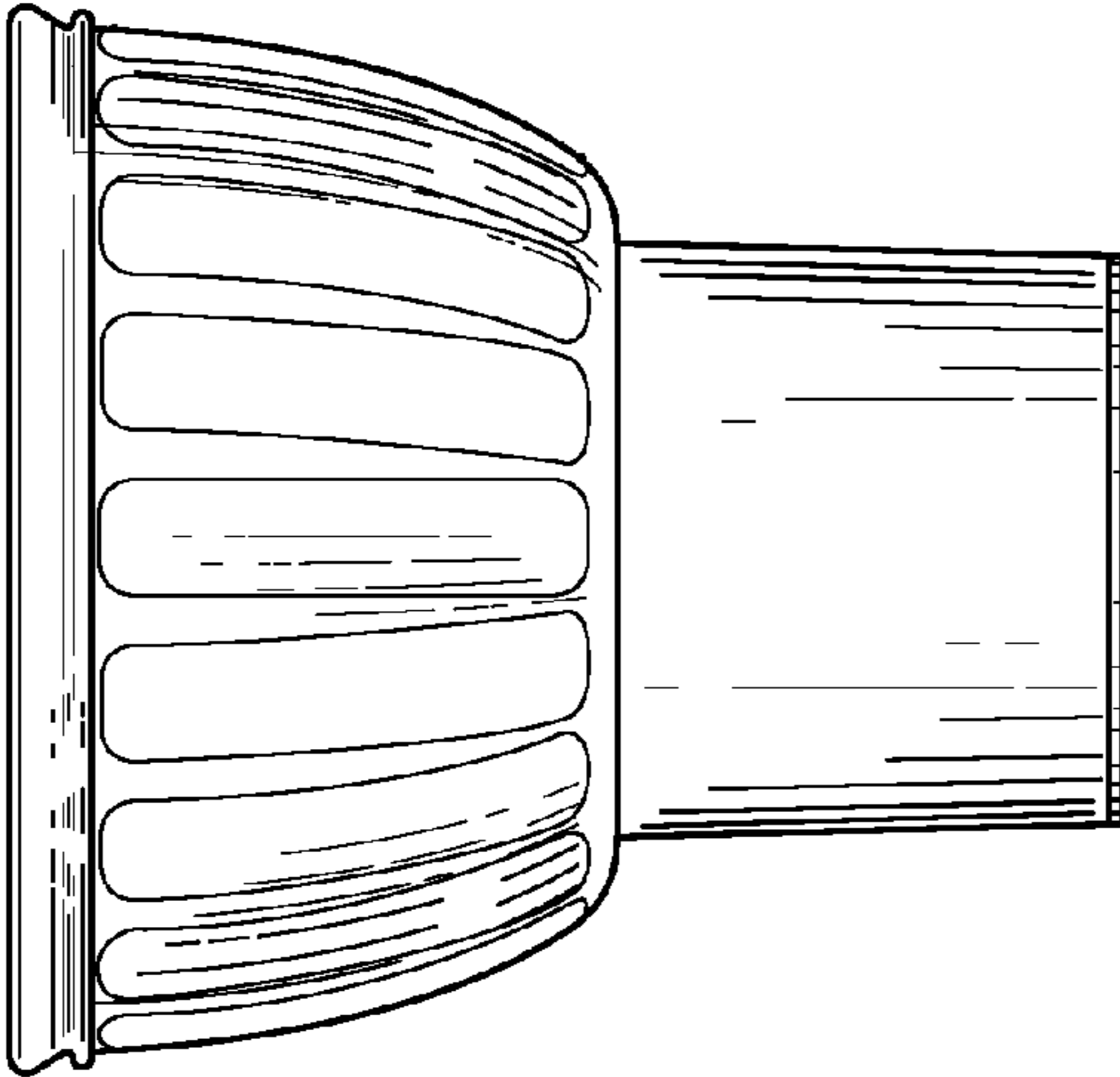


FIG. 2

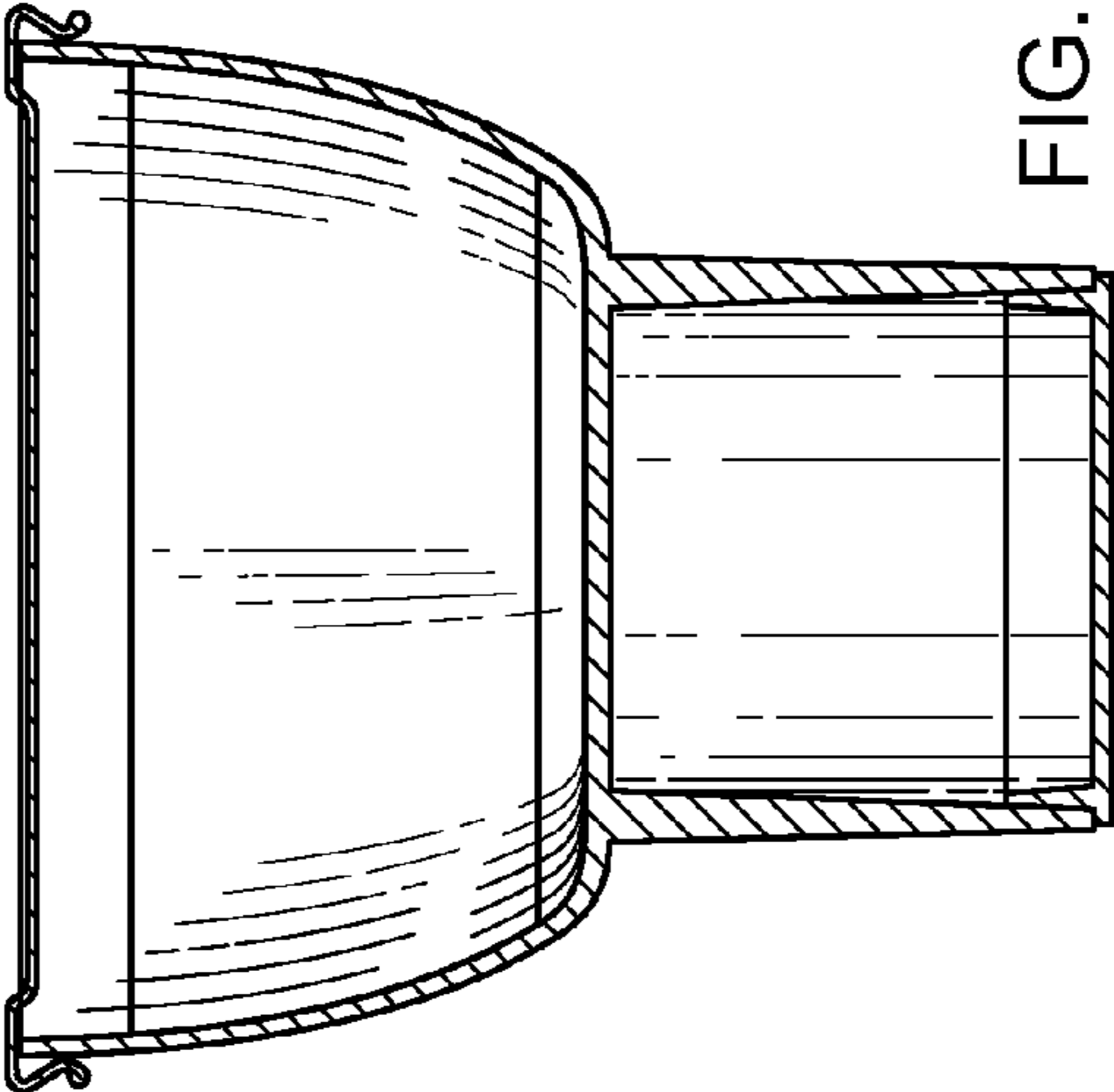


FIG. 3

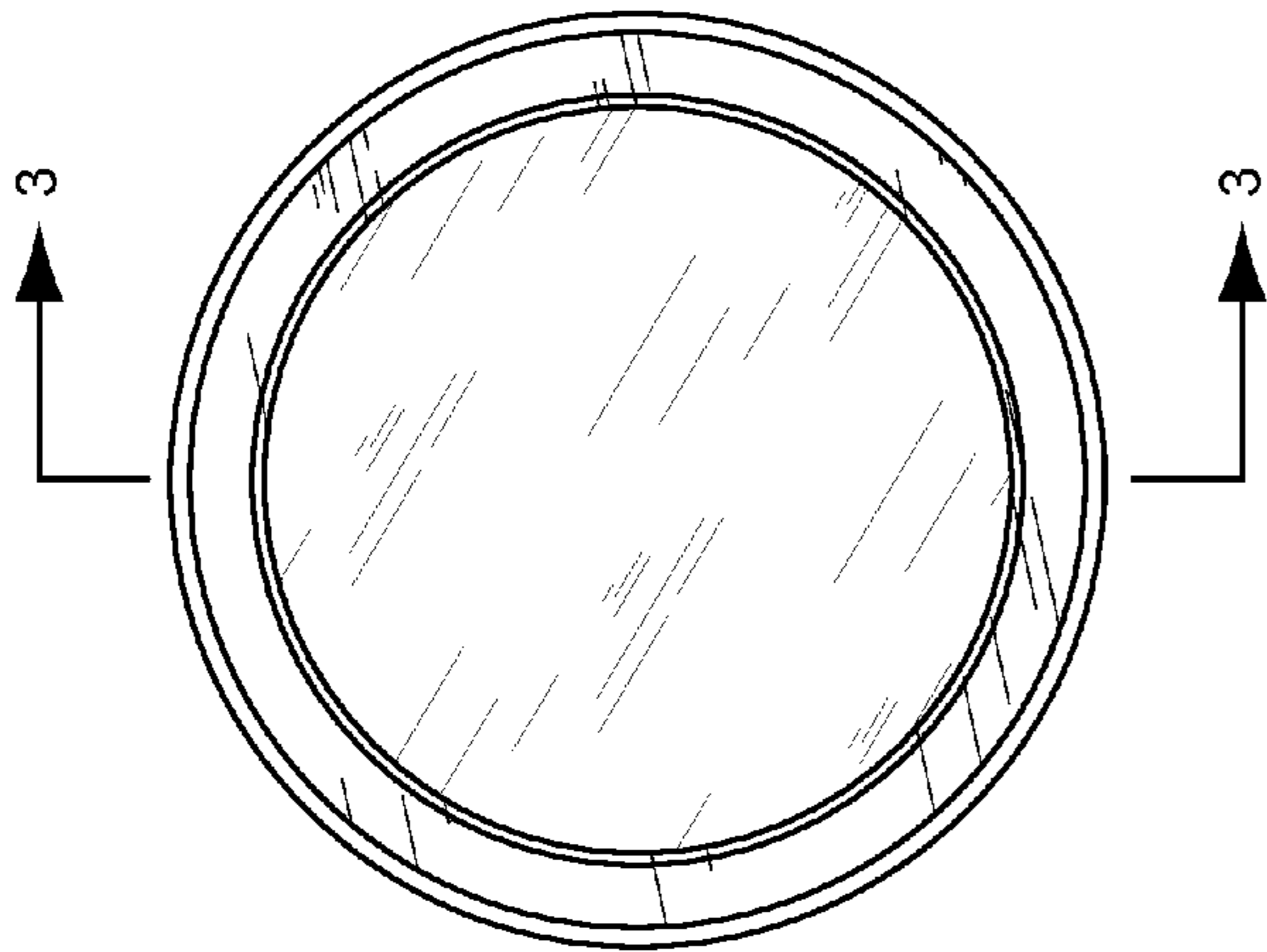


FIG. 4

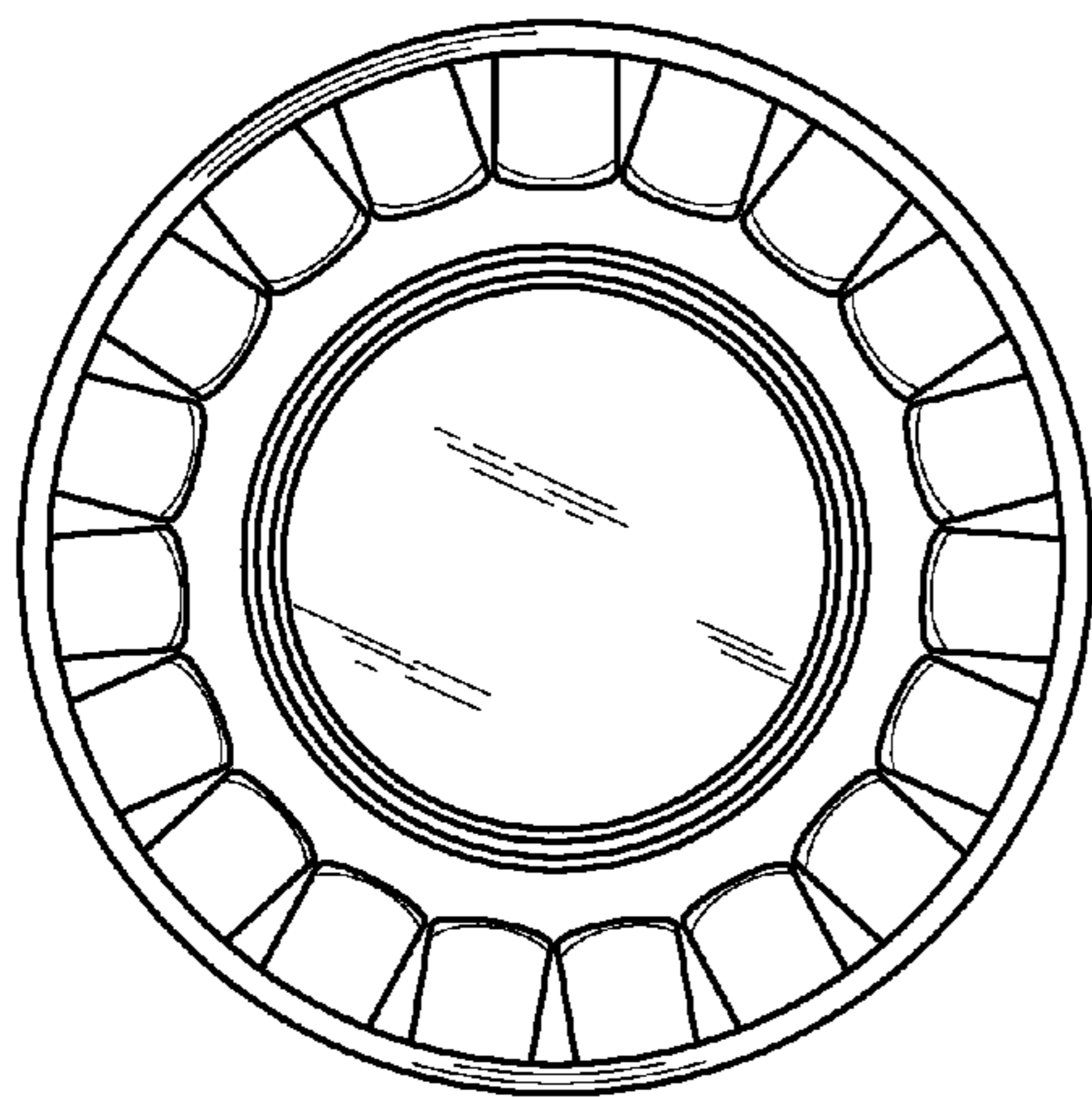


FIG. 5

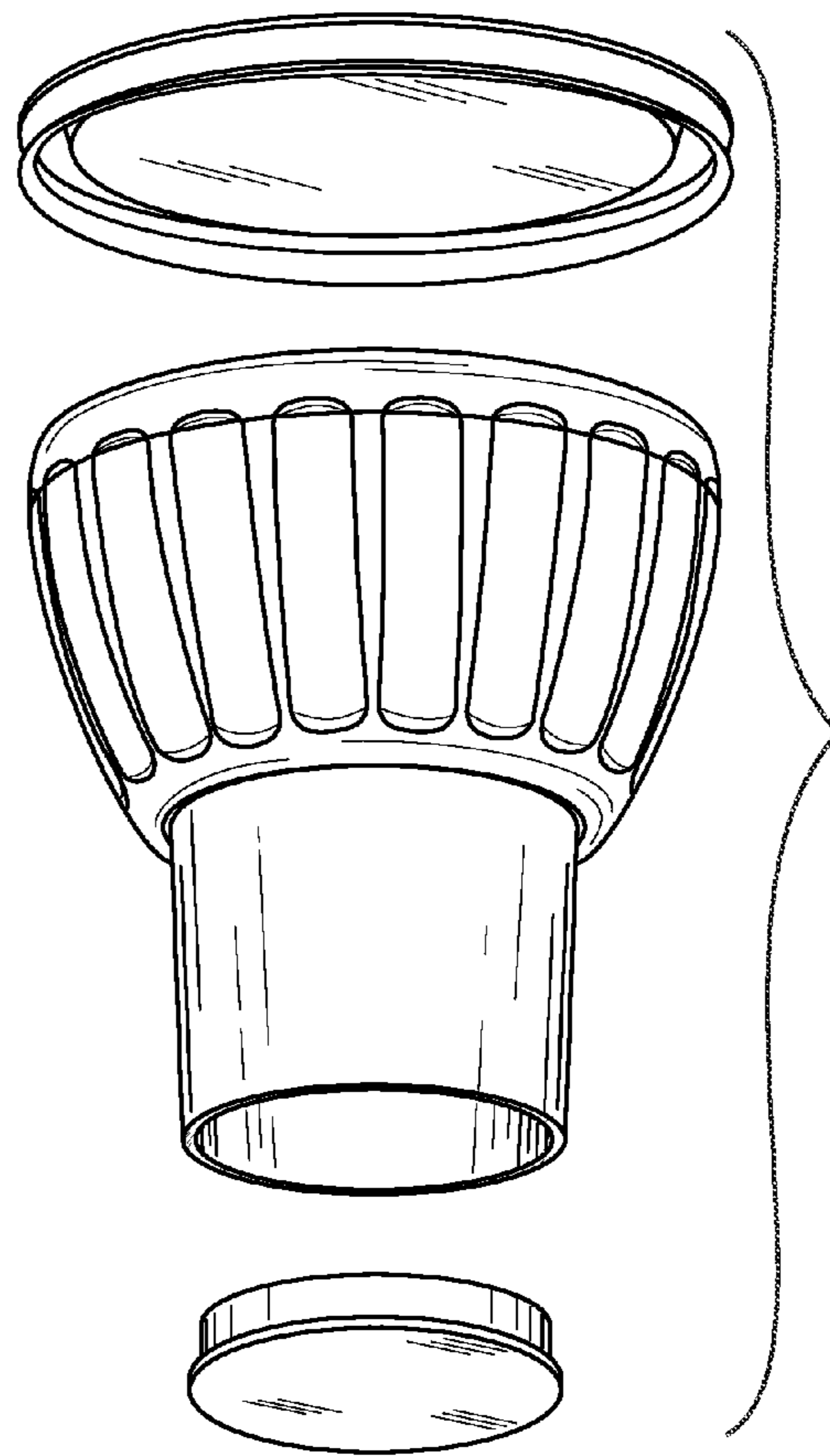


FIG. 6