



US00D616700S

(12) **United States Design Patent**
Pourounidis et al.

(10) **Patent No.:** **US D616,700 S**
(45) **Date of Patent:** **** Jun. 1, 2010**

(54) **TILTING CUTTING BOARD**

(76) Inventors: **Harry Pourounidis**, C/-BAMBIS, 1-9 Moreland Road East Coburg, Victoria, 3058 (AU); **Curtis Stone**, C/-BAMBIS, 1-9 Moreland Road East Coburg, Victoria, 3058 (AU)

(**) Term: **14 Years**

(21) Appl. No.: **29/298,281**

(22) Filed: **Nov. 30, 2007**

(30) **Foreign Application Priority Data**

Jun. 1, 2007 (AU) 18241/2007

(51) **LOC (9) Cl.** **07-04**

(52) **U.S. Cl.** **D7/388; D7/698**

(58) **Field of Classification Search** 269/13, 269/16, 289 R, 15, 302; 241/273.2; 99/446; D7/388, 698, 543, 669; D9/527; D32/56; D12/425; D6/406.2, 406.4, 510, 511; 30/151, 30/298; 296/15, 302; 108/156
See application file for complete search history.

(56) **References Cited**

U.S. PATENT DOCUMENTS

454,552 A * 6/1891 Wheeler 269/15
D34,669 S * 6/1901 Beaumont D7/698
D185,576 S * 6/1959 Seibert D7/698
3,656,193 A * 4/1972 Schneider et al. 5/308
D255,082 S * 5/1980 Barrera D7/698

4,243,184 A 1/1981 Wright
4,440,385 A 4/1984 Kingery
D295,589 S * 5/1988 Walker D6/399
D318,961 S * 8/1991 Edelson D6/406.4
D322,697 S * 12/1991 Nguyen D32/56
D331,191 S * 11/1992 Ventola et al. D9/737
5,366,208 A 11/1994 Benjamin
5,382,009 A 1/1995 Mertz et al.
5,386,978 A 2/1995 Ladwig
D392,957 S * 3/1998 Gaete D8/71
D393,761 S * 4/1998 Hinton D6/425
5,865,105 A 2/1999 Pepelanov
D475,678 S * 6/2003 Evans D12/400
6,789,792 B1 9/2004 Angland
D505,427 S * 5/2005 Bain D14/451
6,971,644 B1 12/2005 Kennedy et al.
D573,420 S * 7/2008 Pourounidis et al. D7/698
D584,531 S * 1/2009 Falter D6/406.4
2006/0085989 A1 * 4/2006 Kuan Huo 30/151

* cited by examiner

Primary Examiner—Robert M Spear
Assistant Examiner—Cynthia Underwood
(74) *Attorney, Agent, or Firm*—Fulwider Patton LLP

(57) **CLAIM**

The ornamental design for a tilting cutting board, as shown.

DESCRIPTION

FIG. 1 is a top perspective view of the tilting cutting board in a closed position, showing our new design; and, FIG. 2 is a top perspective view thereof, in an open position.

1 Claim, 1 Drawing Sheet

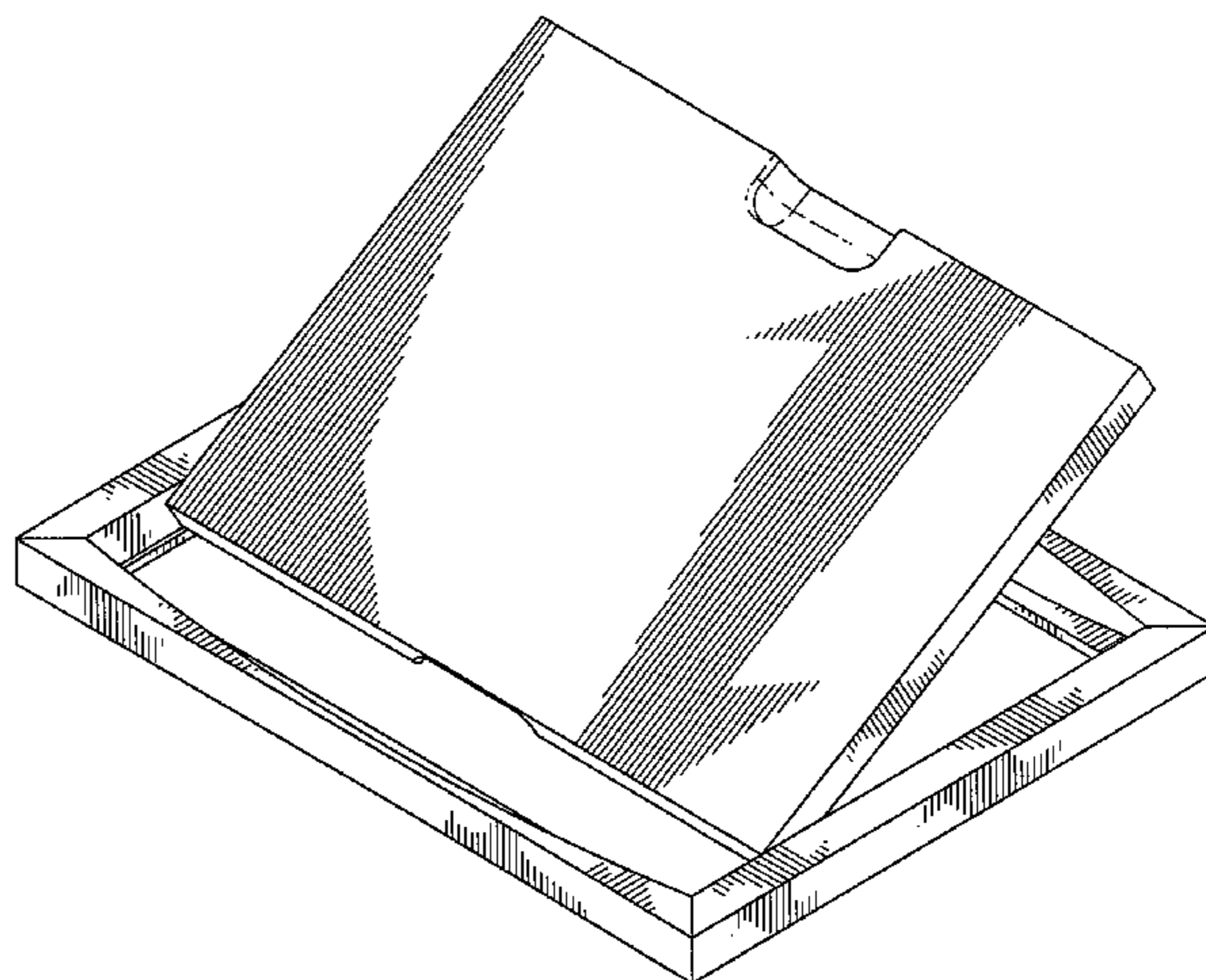
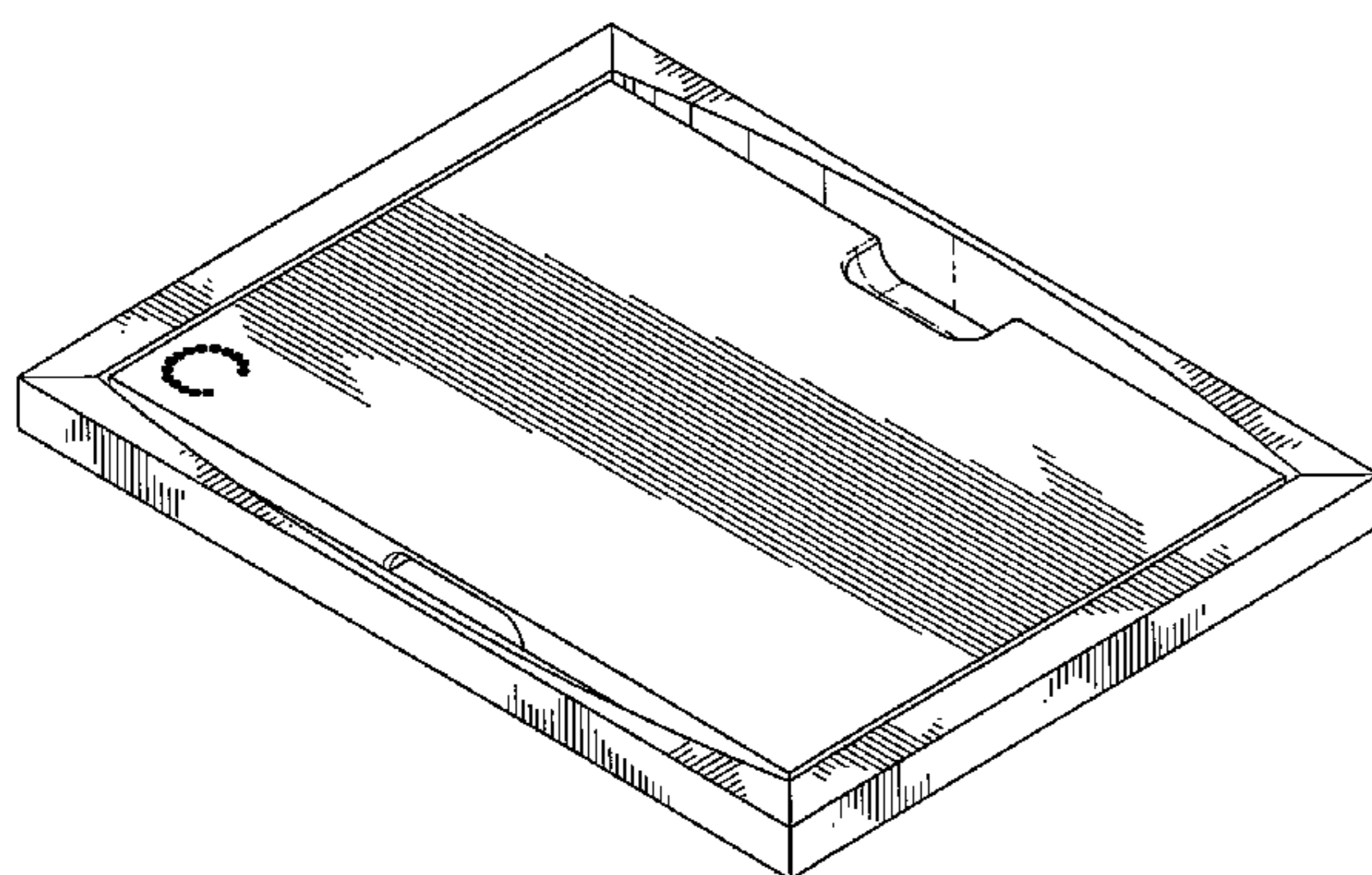


FIG. 1

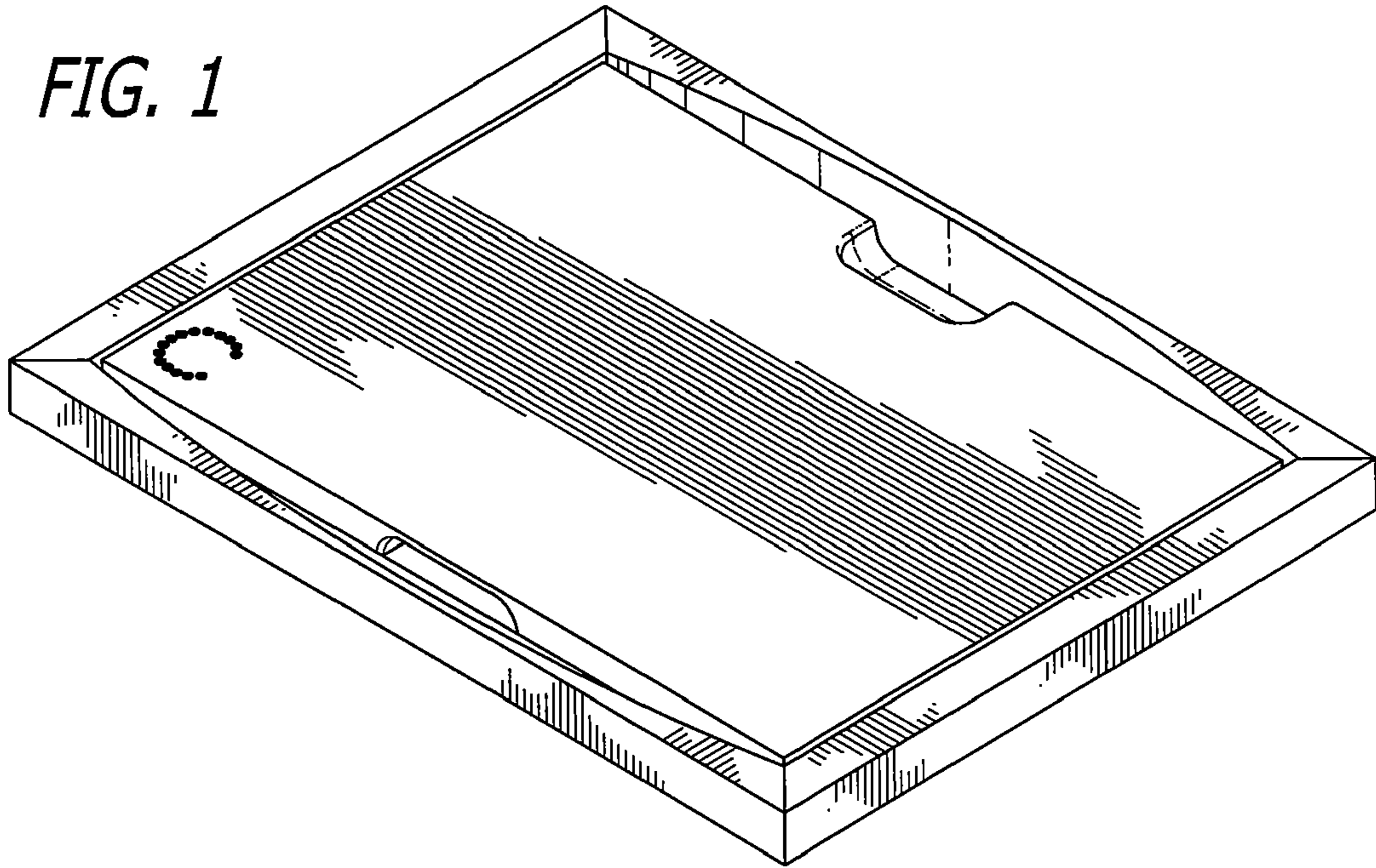


FIG. 2

