



US00D616699S

(12) **United States Design Patent**
Hoare et al.

(10) **Patent No.:** **US D616,699 S**
(45) **Date of Patent:** **** Jun. 1, 2010**

(54) **BENCH MIXER**

(76) Inventors: **Richard Hoare**, 3 Avian Crescent, Lane Cove, NSW (AU) 2066; **Nick Roseby**, Building 2, Port Air Industrial Estate, 1A Hale Street, Botany, NSW (AU)

(**) Term: **14 Years**

(21) Appl. No.: **29/350,563**

(22) Filed: **Nov. 18, 2009**

(30) **Foreign Application Priority Data**

Jun. 5, 2009 (AU) 12098/2009

(51) **LOC (9) Cl.** **31-00**

(52) **U.S. Cl.** **D7/379; D7/376**

(58) **Field of Classification Search** D7/317-318, D7/356, 376-386, 412-415, 665; 99/348, 99/509-511; 241/30-37.5, 101.01-101.2, 241/166-169.1, 274-278.2, 285.1-285.3, 241/291, 292.1; 366/64-67, 98, 142, 192, 366/197-211, 203-207, 241-254, 279-292, 366/341-347; 476/58

See application file for complete search history.

(56) **References Cited**

U.S. PATENT DOCUMENTS

- D162,875 S * 4/1951 Polivka et al. D7/379
- D189,936 S * 3/1961 Grange D7/379
- 4,893,942 A * 1/1990 Stottmann 366/279
- 4,900,160 A * 2/1990 Brooks et al. 366/347
- D322,010 S * 12/1991 Doggett D7/379

- D394,781 S * 6/1998 Doggett D7/379
- D400,759 S * 11/1998 Doggett D7/379
- D436,497 S * 1/2001 Nalbandian D7/379
- D499,604 S * 12/2004 Hooper et al. D7/379
- D502,841 S * 3/2005 Santer D7/379
- D530,146 S * 10/2006 Ball et al. D7/379
- 7,175,338 B2 * 2/2007 Hooper et al. 366/197
- D584,916 S * 1/2009 Christou D7/376

* cited by examiner

Primary Examiner—Caron Veynar

Assistant Examiner—Ricky Pham

(74) *Attorney, Agent, or Firm*—Molins & Co.

(57) **CLAIM**

The ornamental design for a bench mixer, as shown and described.

DESCRIPTION

FIG. 1 is a front perspective view of a bench mixer showing my new design;

FIG. 2 is a back view thereof;

FIG. 3 is a right side view thereof;

FIG. 4 is a left side view thereof;

FIG. 5 is a bottom plan view thereof;

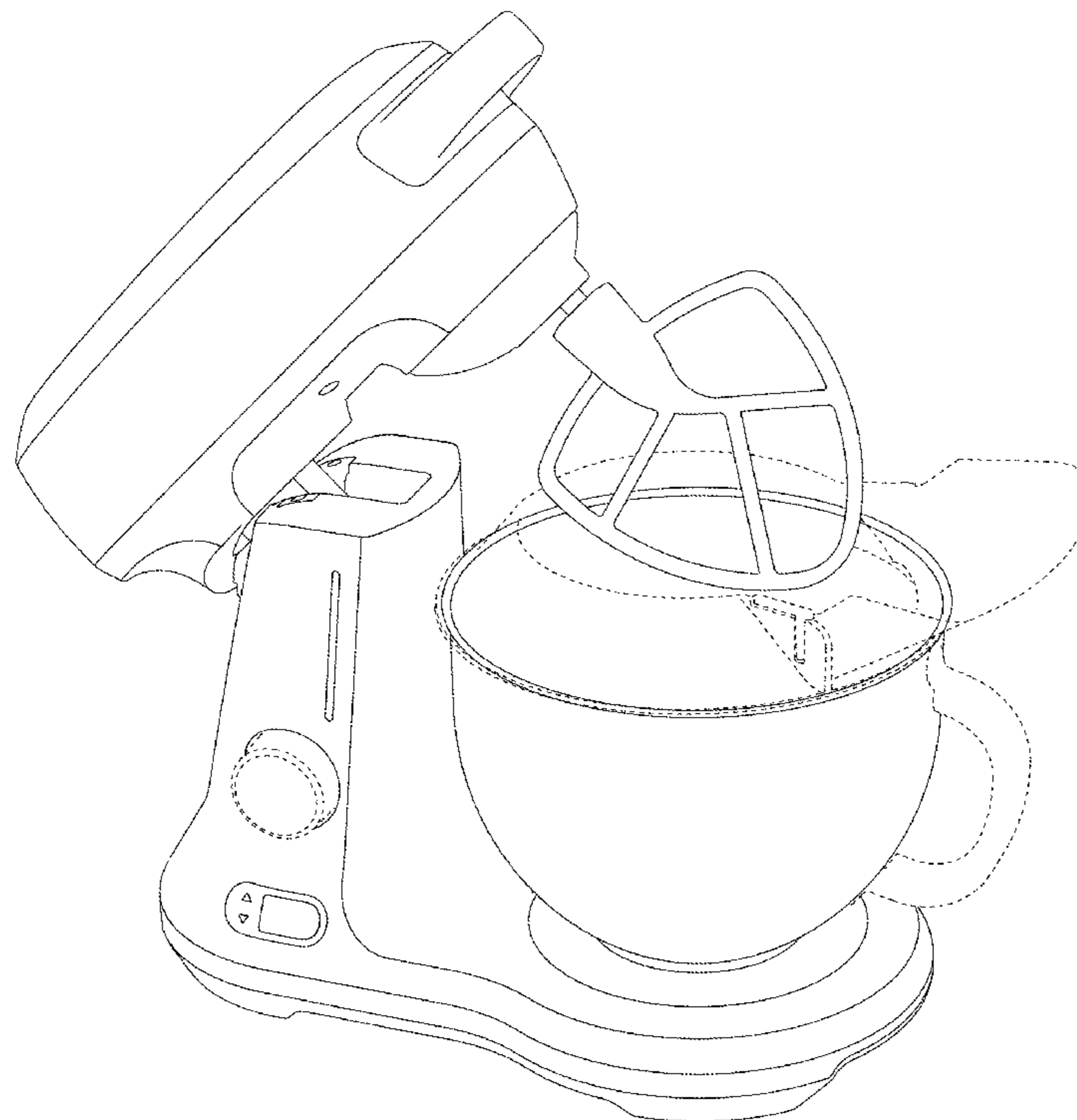
FIG. 6 is a top plan view thereof;

FIG. 7 is a perspective view thereof; and,

FIG. 8 is a perspective view tilted thereof.

The broken lines shown in the drawings are for illustrative purposes only and form no part of the claimed design.

1 Claim, 8 Drawing Sheets



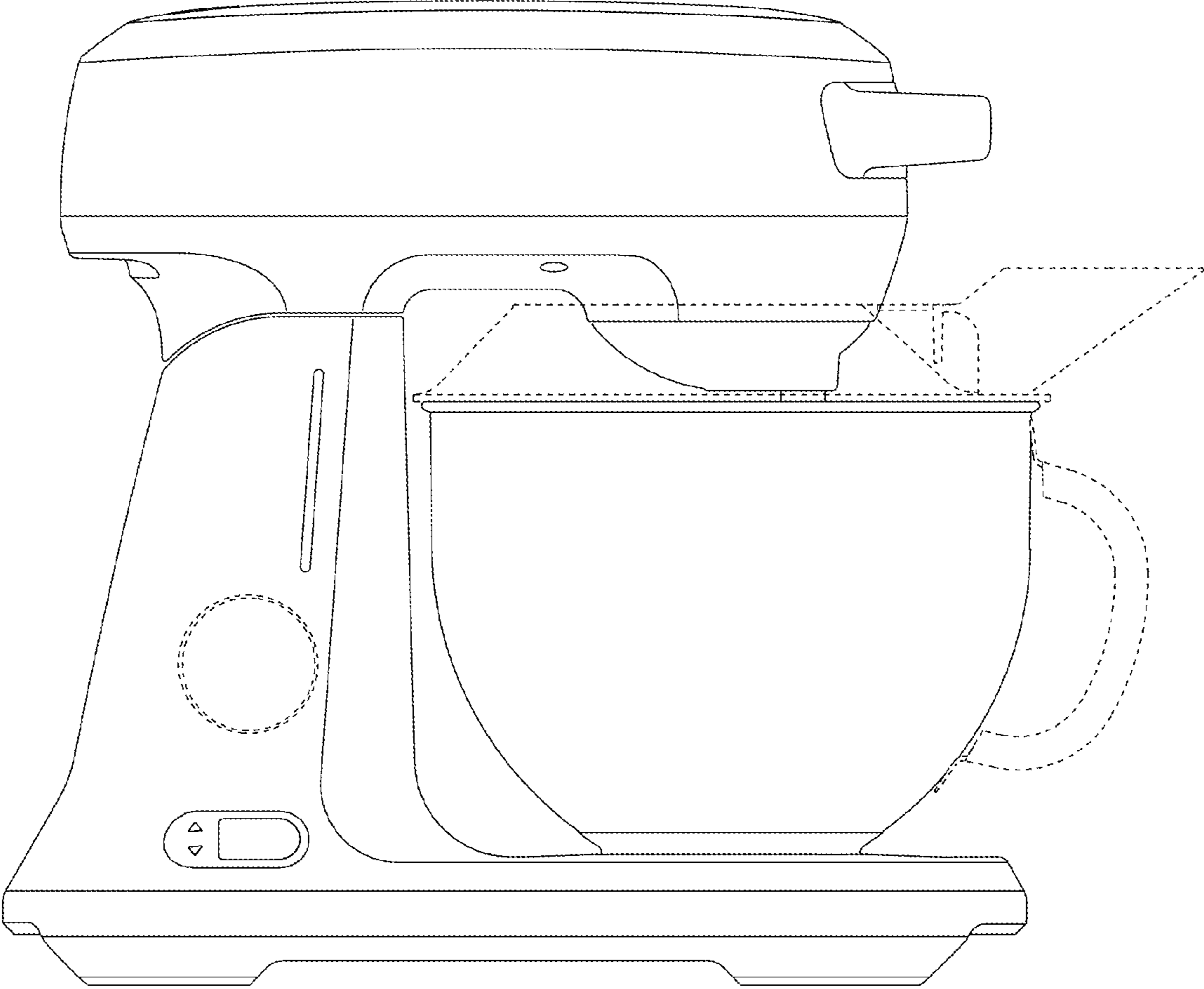


FIG. 1

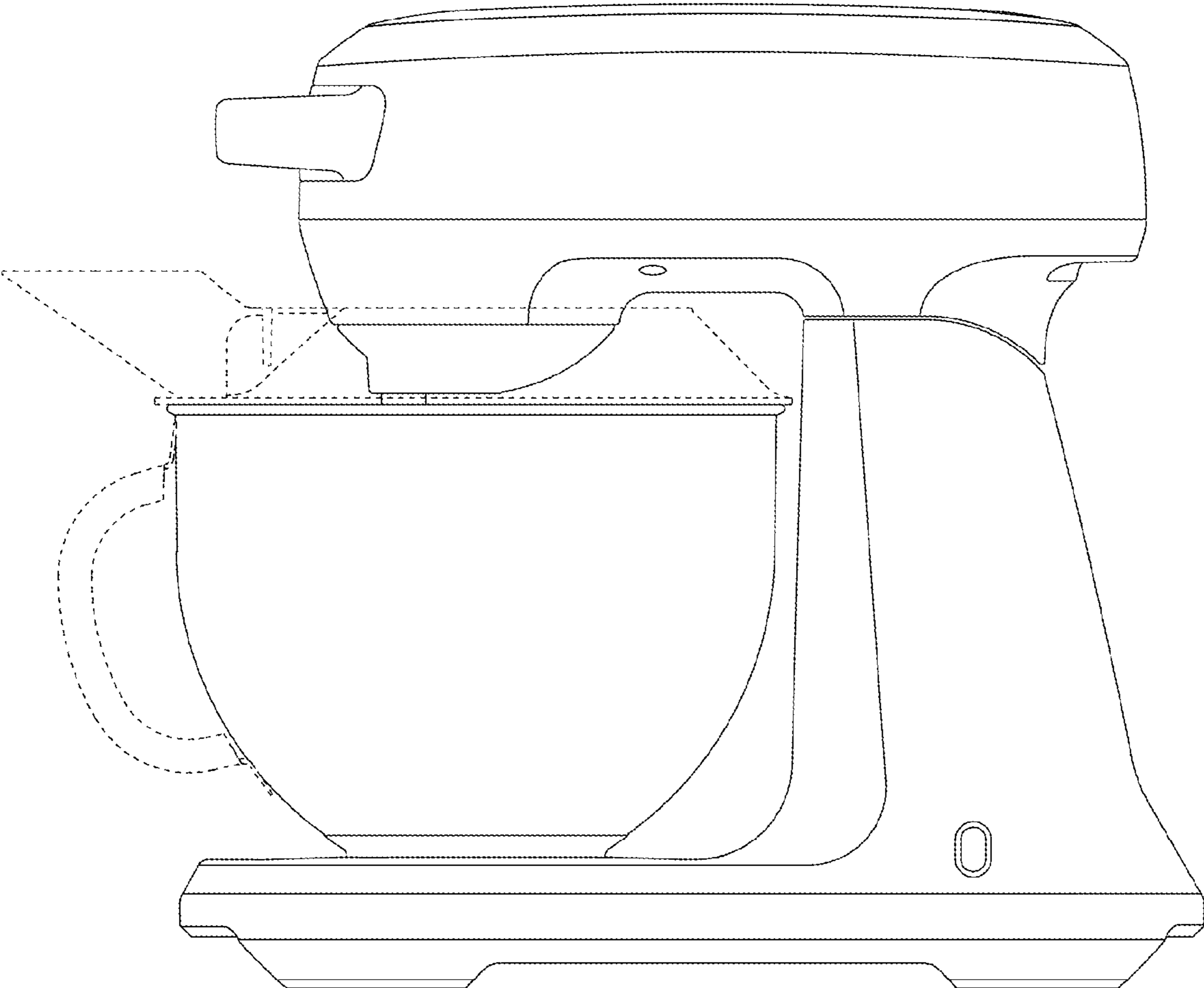


FIG. 2

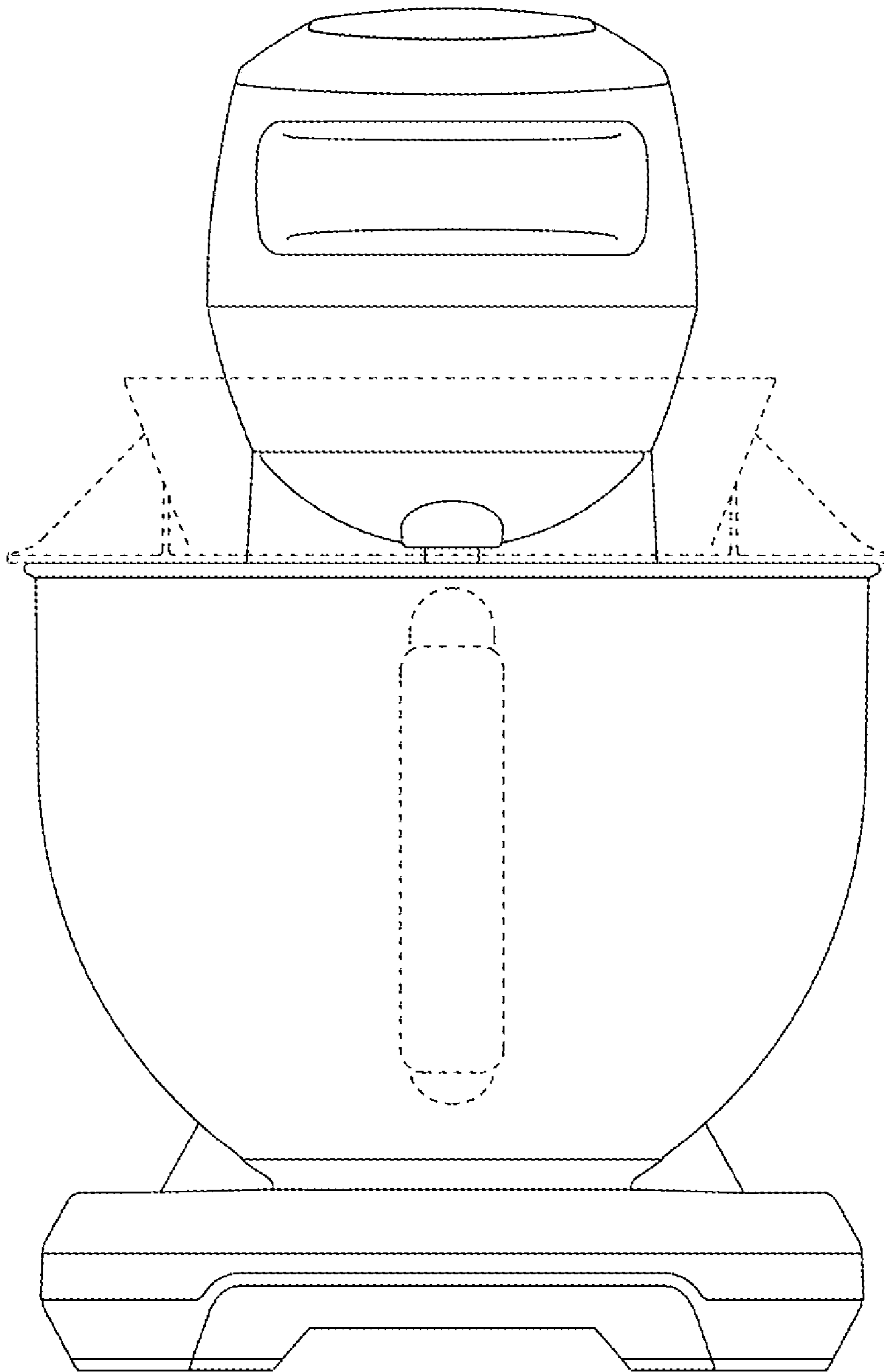


FIG. 3

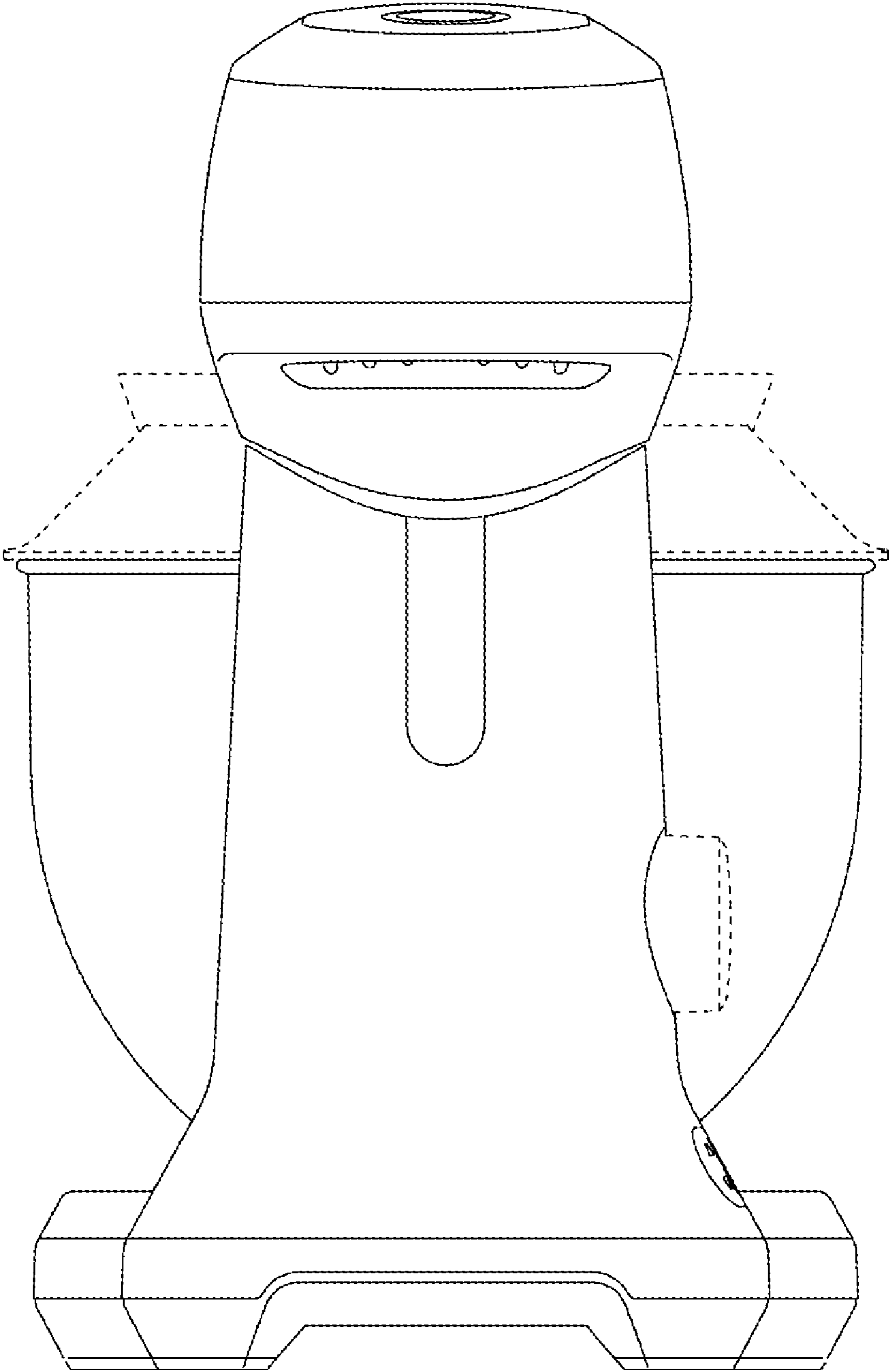


FIG. 4

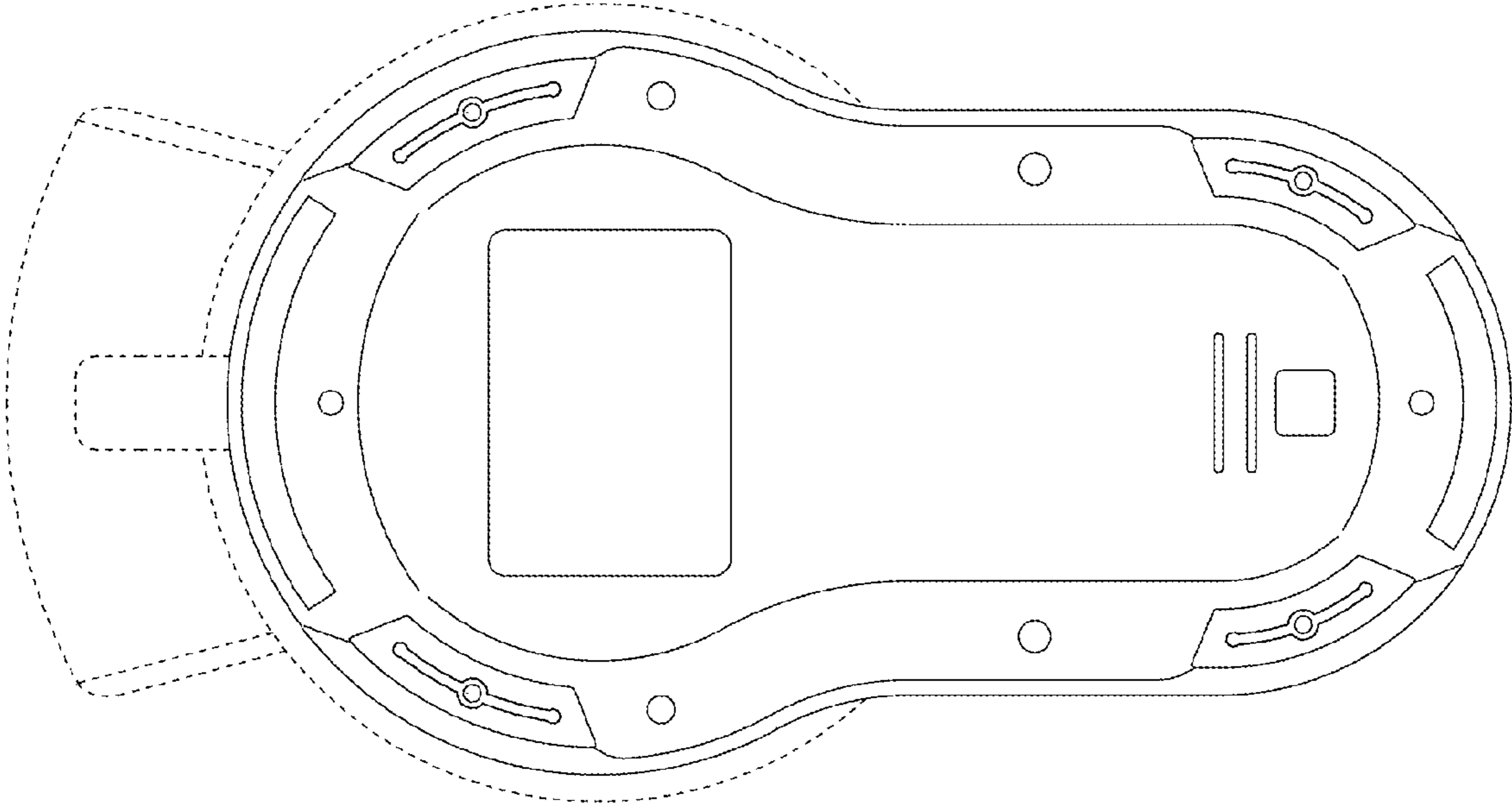


FIG. 5

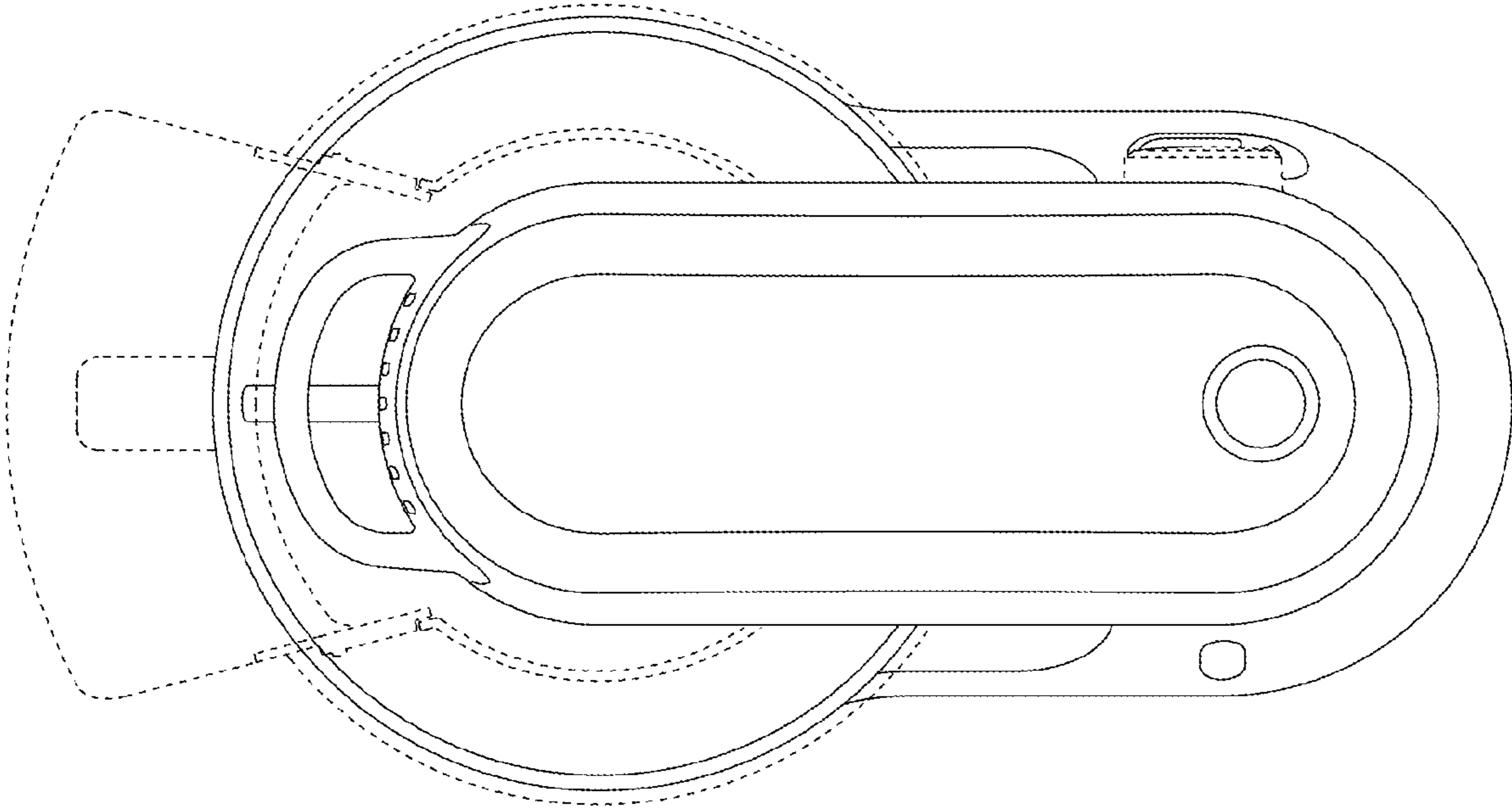


FIG. 6

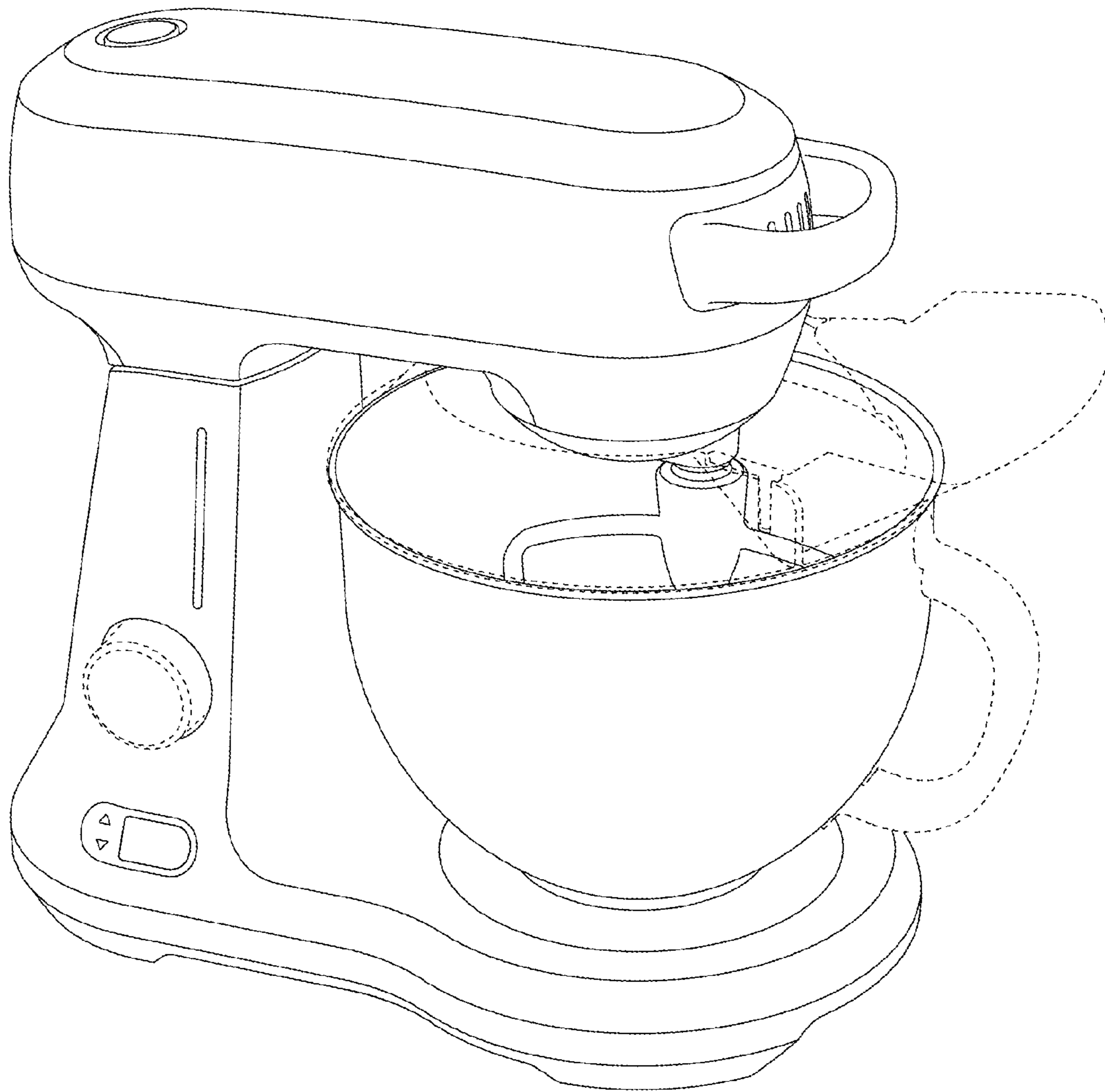


FIG. 7

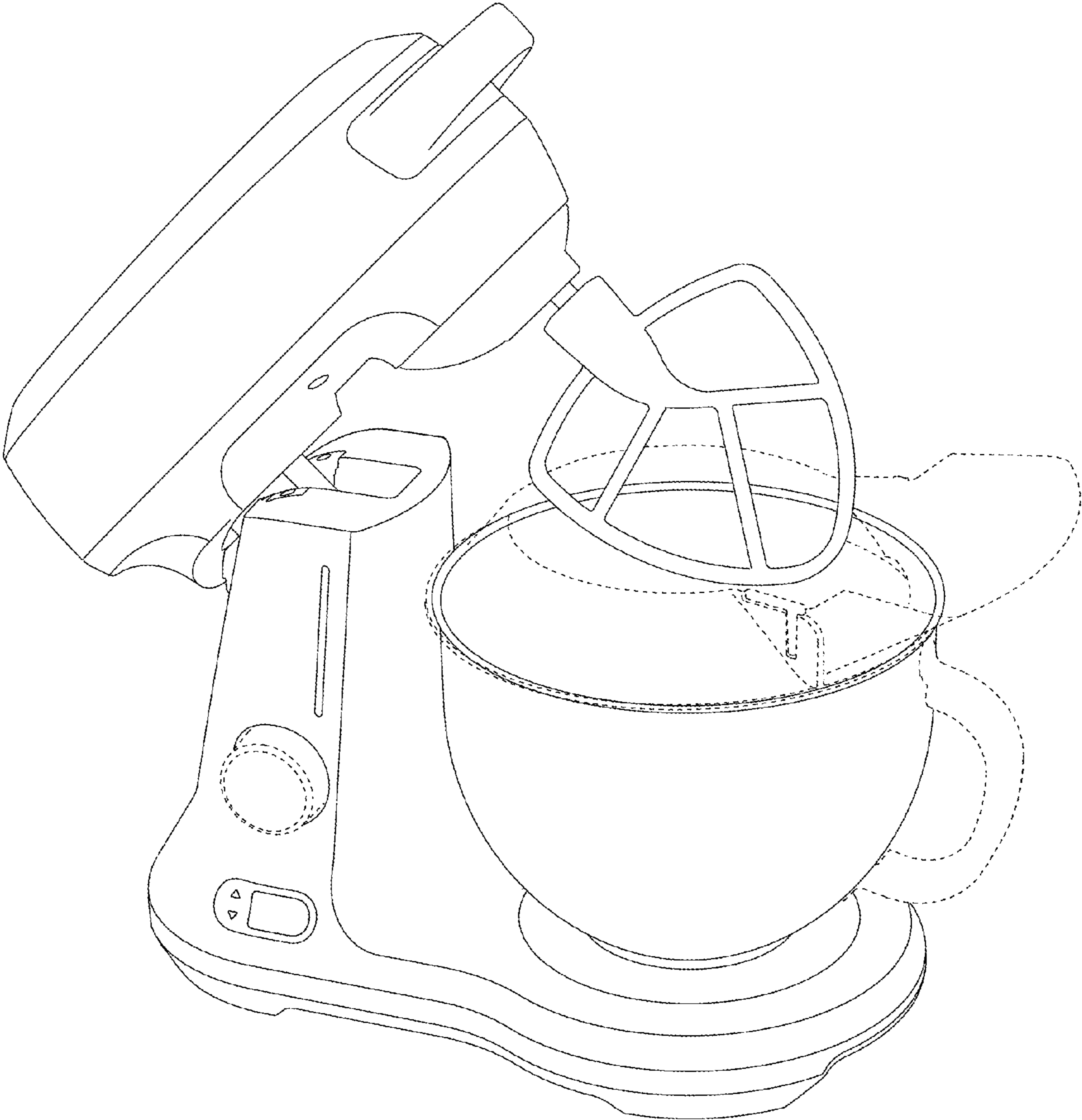


FIG. 8