



US00D616690S

(12) **United States Design Patent**  
**Lau**

(10) **Patent No.:** **US D616,690 S**  
(45) **Date of Patent:** **\*\* Jun. 1, 2010**

(54) **INFLATABLE FRAME FOR INFLATABLE BED**

D598,211 S \* 8/2009 Mourgue ..... D6/393

**FOREIGN PATENT DOCUMENTS**

(75) Inventor: **Vincent W. S. Lau**, Sai Kung (HK)

EM 000160635-0006 \* 4/2004

(73) Assignee: **Ideal Time Consultants Limited**,  
Tortola (VG)

\* cited by examiner

(\*\*) Term: **14 Years**

*Primary Examiner*—Janice E Seeger

*Assistant Examiner*—Mary Ann Calabrese

(21) Appl. No.: **29/331,230**

(74) *Attorney, Agent, or Firm*—St. Onge Steward Johnston &  
Reens LLC

(22) Filed: **Jan. 22, 2009**

(57) **CLAIM**

(51) **LOC (9) Cl.** ..... **06-09**

The ornamental design for an inflatable frame for inflatable bed, as shown and described.

(52) **U.S. Cl.** ..... **D6/604; D6/605; D6/382;**  
D6/503

**DESCRIPTION**

(58) **Field of Classification Search** ..... D6/382,  
D6/393–395, 503, 595–601, 604–606; 5/652,  
5/665, 681, 686–688, 690, 706, 709, 716–718,  
5/726, 731, 740; D21/803, 809; D24/183,  
D24/184

FIG. 1 is a first perspective view of an inflatable frame for inflatable bed;

FIG. 2 is a second perspective view of an inflatable frame for inflatable bed;

See application file for complete search history.

FIG. 3 is a side elevational view of an inflatable frame for inflatable bed, the other side being identical; and,

FIG. 4 is a front elevational view of an inflatable frame for inflatable bed, the rear being identical.

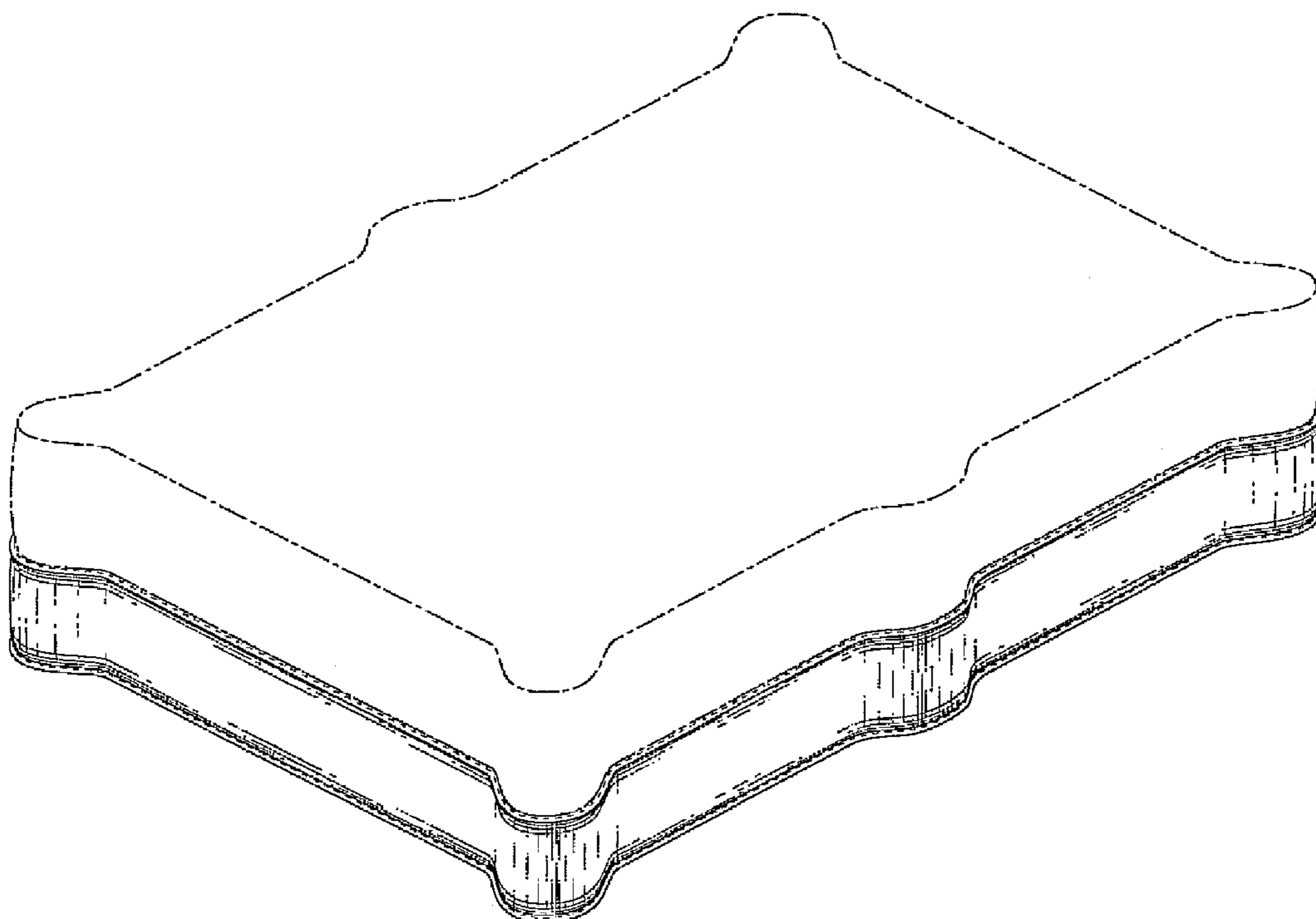
(56) **References Cited**

**U.S. PATENT DOCUMENTS**

4,079,473	A *	3/1978	Phillips	.....	5/687
4,193,151	A *	3/1980	Calleance	.....	5/681
D270,693	S *	9/1983	Larson	.....	D6/605
4,534,078	A *	8/1985	Viesturs et al.	.....	5/681
4,663,790	A *	5/1987	Santo	.....	5/681
D313,722	S *	1/1991	Axelsson	.....	D6/605

The top and bottom form no part of the claimed design. The broken lines show environmental structure and form no part of the claimed design.

**1 Claim, 3 Drawing Sheets**



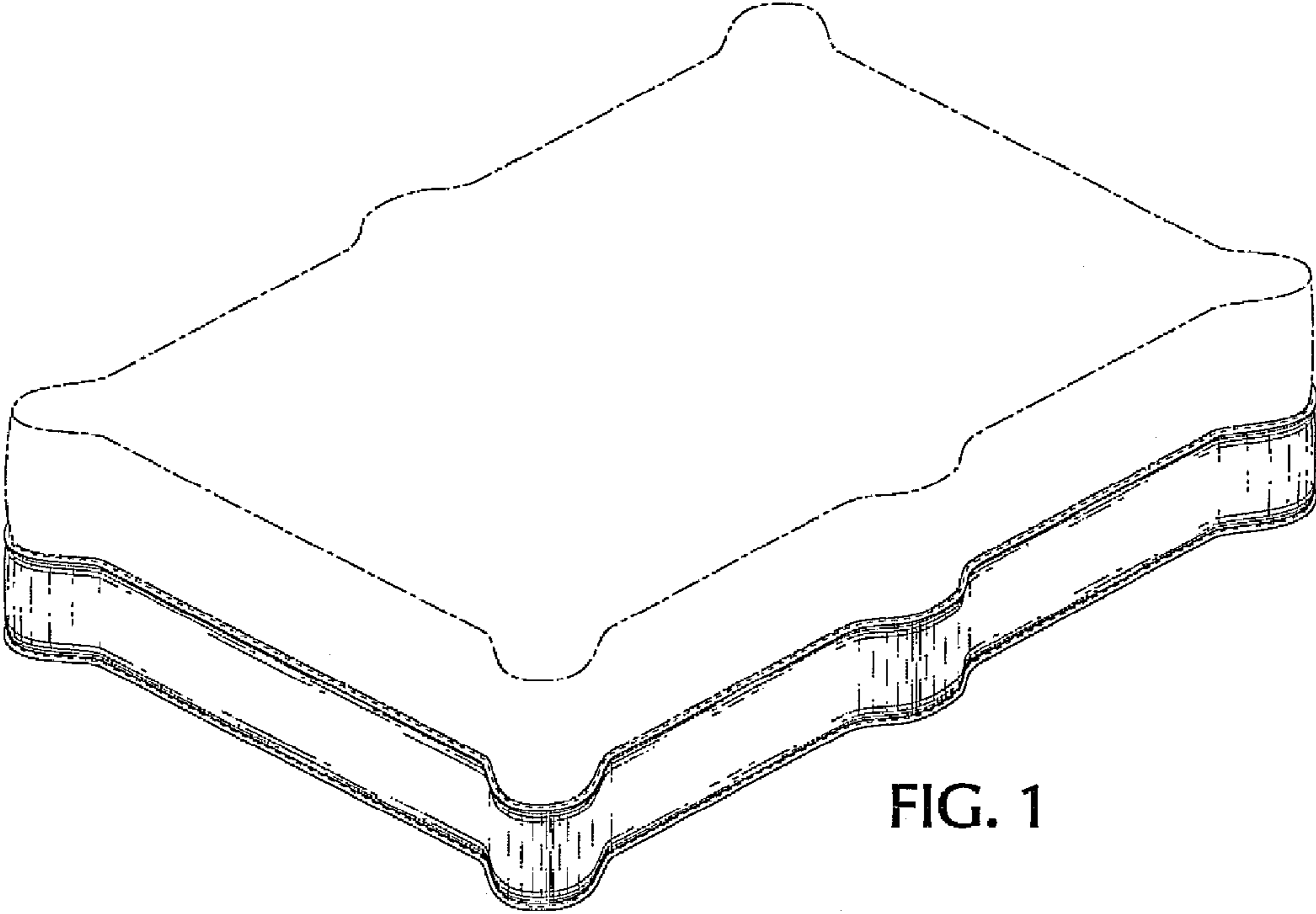


FIG. 1

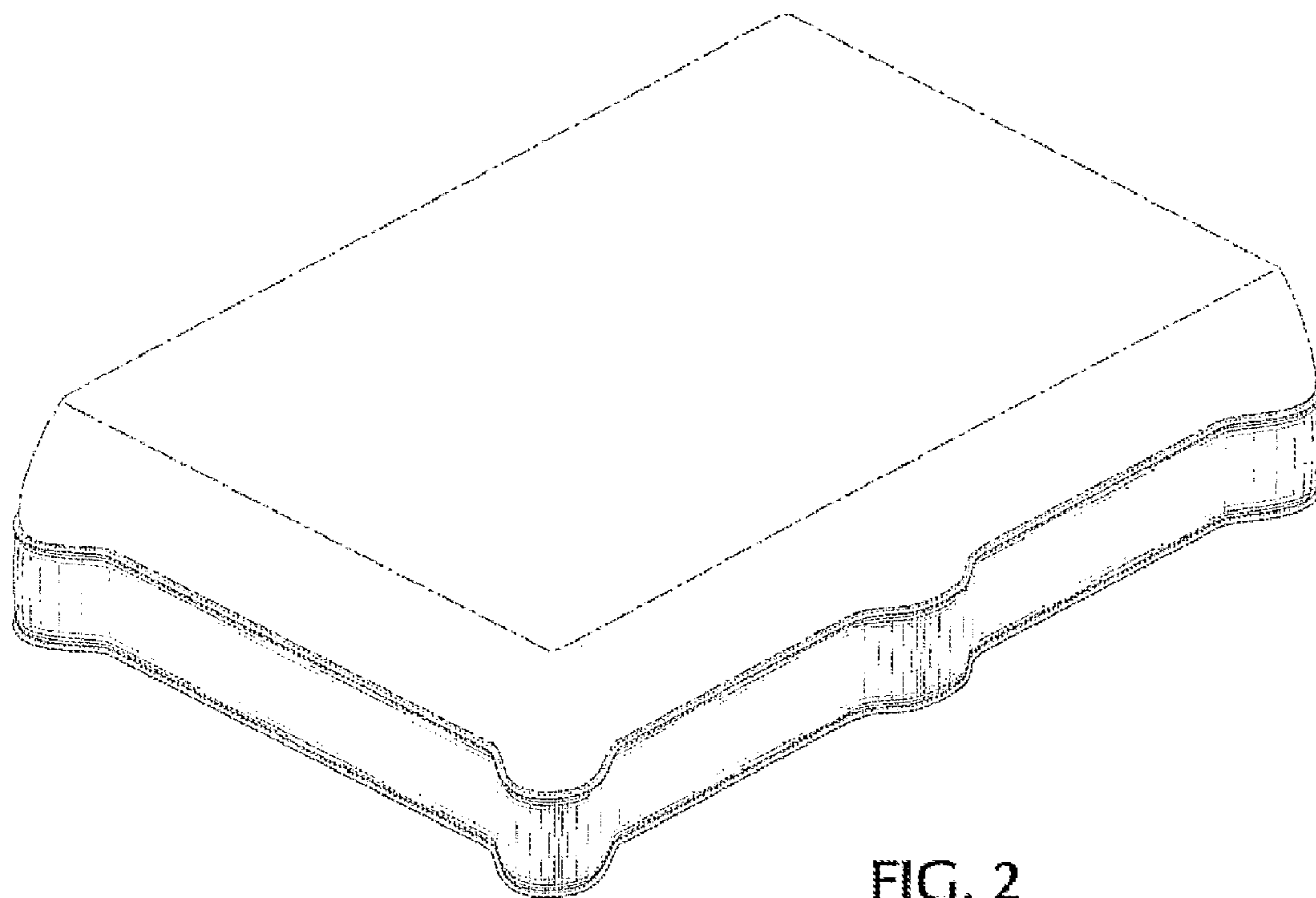


FIG. 2

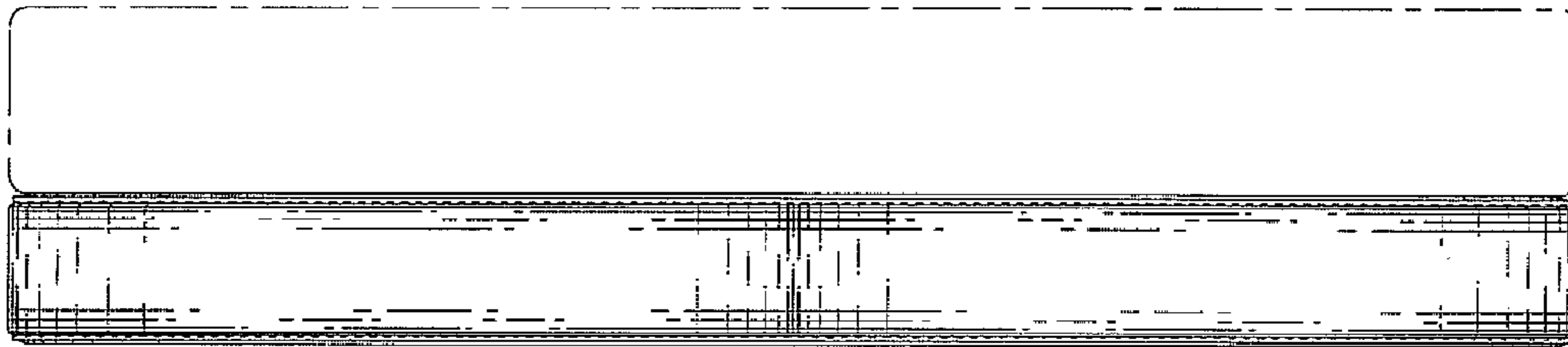


FIG. 3

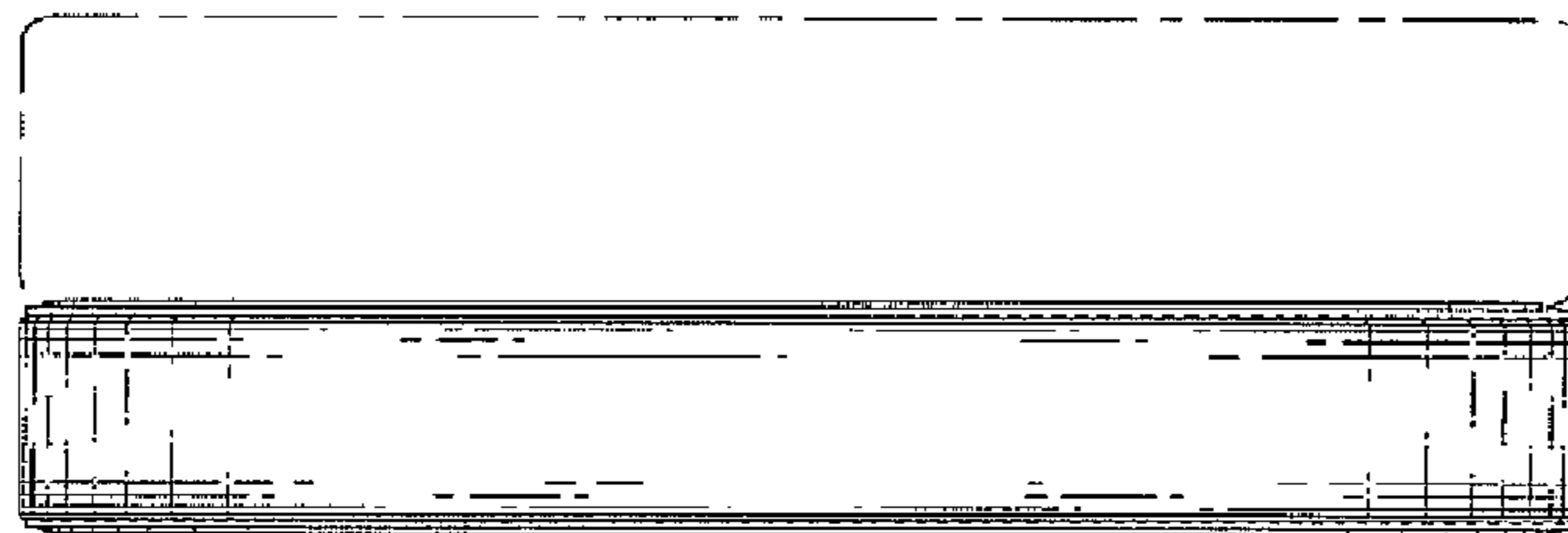


FIG. 4