



US00D616688S

(12) **United States Design Patent**  
**Hernandez et al.**

(10) **Patent No.:** **US D616,688 S**  
(45) **Date of Patent:** **\*\* Jun. 1, 2010**

(54) **MAGNETIC MINI-BASKET**

(76) Inventors: **Gustavo Hernandez**, 7740 SW. 134 Ct., Miami, FL (US) 33183; **Olga Hernandez**, 7740 SW. 134 Ct., Miami, FL (US) 33183; **Yoiset Hernandez**, 7740 SW. 134 Ct., Miami, FL (US) 33183; **Yosvet Hernandez**, 8045 SW. 134 Ct., Miami, FL (US) 33183; **Jose A. Pinto**, 4046 NE. 2nd Ave., Naples, FL (US) 34120

D419,301 S \* 1/2000 Hampshire ..... D6/567  
D485,306 S \* 1/2004 Sheldon et al. .... D6/553  
D486,185 S \* 2/2004 Sheldon et al. .... D6/553  
D501,886 S \* 2/2005 Chen et al. .... D6/553  
D535,842 S \* 1/2007 Wood ..... D6/567  
D592,434 S \* 5/2009 Thompson et al. .... D6/553  
D606,348 S \* 12/2009 White et al. .... D6/553

\* cited by examiner

*Primary Examiner*—Brian N Vinson

(74) *Attorney, Agent, or Firm*—Albert Bordas, P.A.

(\*\*) Term: **14 Years**

(21) Appl. No.: **29/339,121**

(22) Filed: **Jun. 24, 2009**

(51) **LOC (9) Cl.** ..... **06-04**

(52) **U.S. Cl.** ..... **D6/553**

(58) **Field of Classification Search** ..... D6/512–523,  
D6/553–574; D9/730, 702, 432, 431, 414,  
D9/499; D19/78, 84, 90, 65, 75, 81, 85,  
D19/86, 91, 100; 211/13.1, 10–12, 85.13,  
211/44, 60.1, 69.1, 70.6, 70.7, 72, 86.01,  
211/87.01, 90.01, 119.009, 134; 206/69,  
206/363, 361, 349, 703, 233, 581, 570, 514,  
206/77.1, 96, 730, 735; D3/203.1, 203.5,  
D3/201, 226, 227, 269, 304, 315

See application file for complete search history.

(56) **References Cited**

U.S. PATENT DOCUMENTS

D355,791 S \* 2/1995 Briley ..... D6/553

(57) **CLAIM**

The ornamental design for a magnetic mini-basket, as shown and described.

**DESCRIPTION**

FIG. 1 is a top plan view of a magnetic mini-basket;  
FIG. 2 is a front elevational view thereof;  
FIG. 3 is a bottom view thereof;  
FIG. 4 is a left elevational view thereof, the right elevational view being a mirror image thereof;  
FIG. 5 is a rear elevational view thereof; and,  
FIG. 6 is an isometric view thereof, adhered to a surface.

**1 Claim, 3 Drawing Sheets**

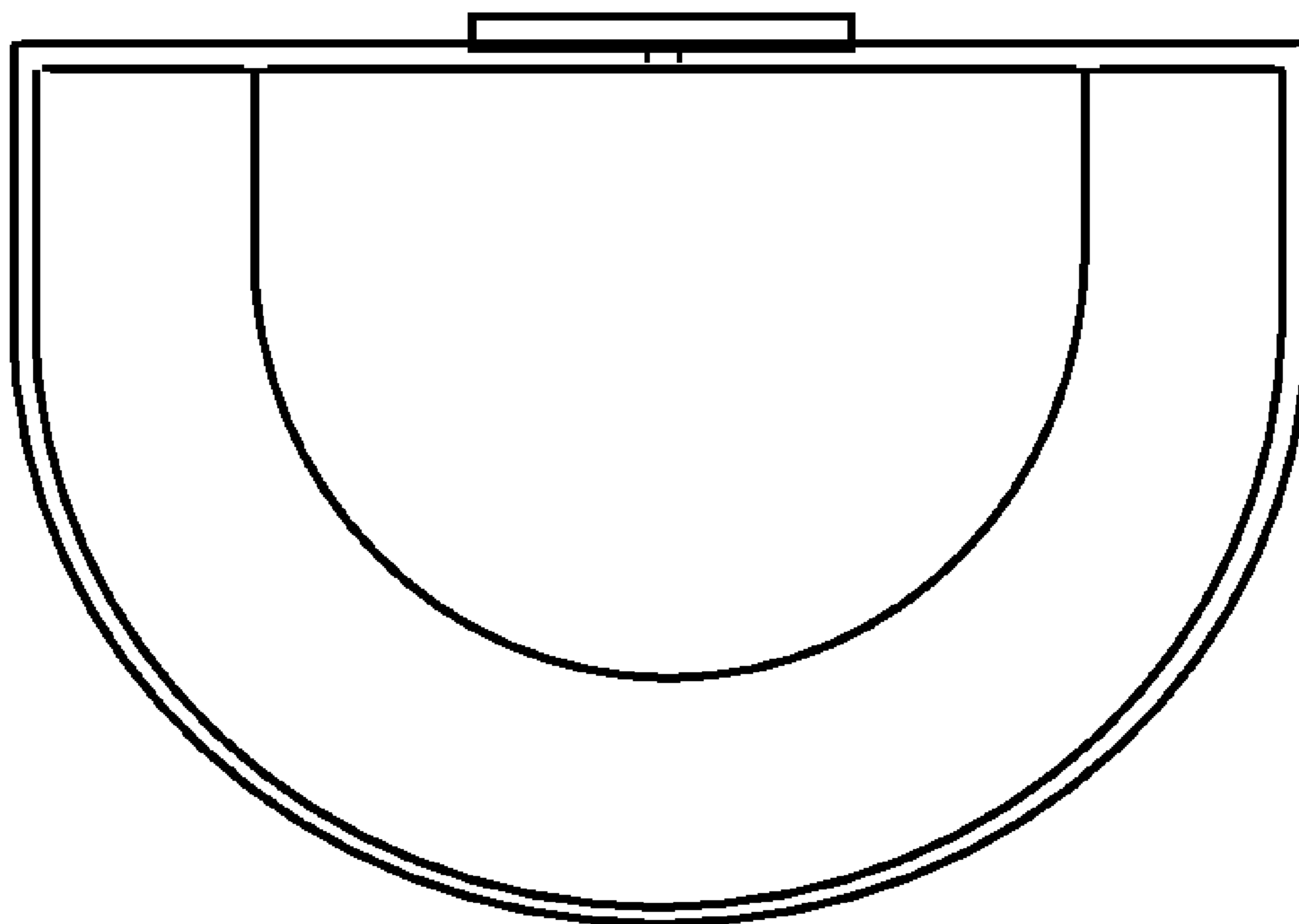


Fig. 1

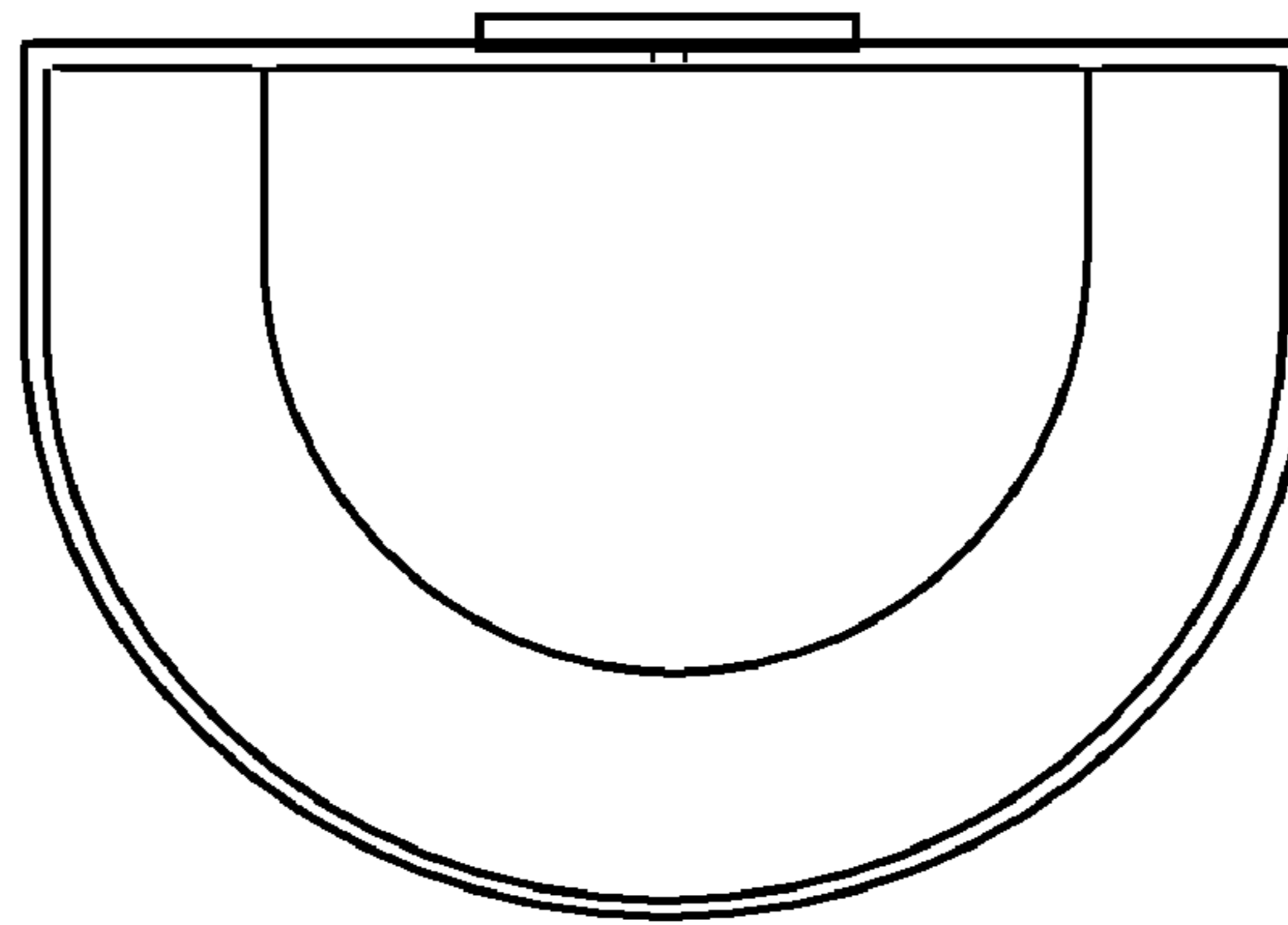


Fig. 2

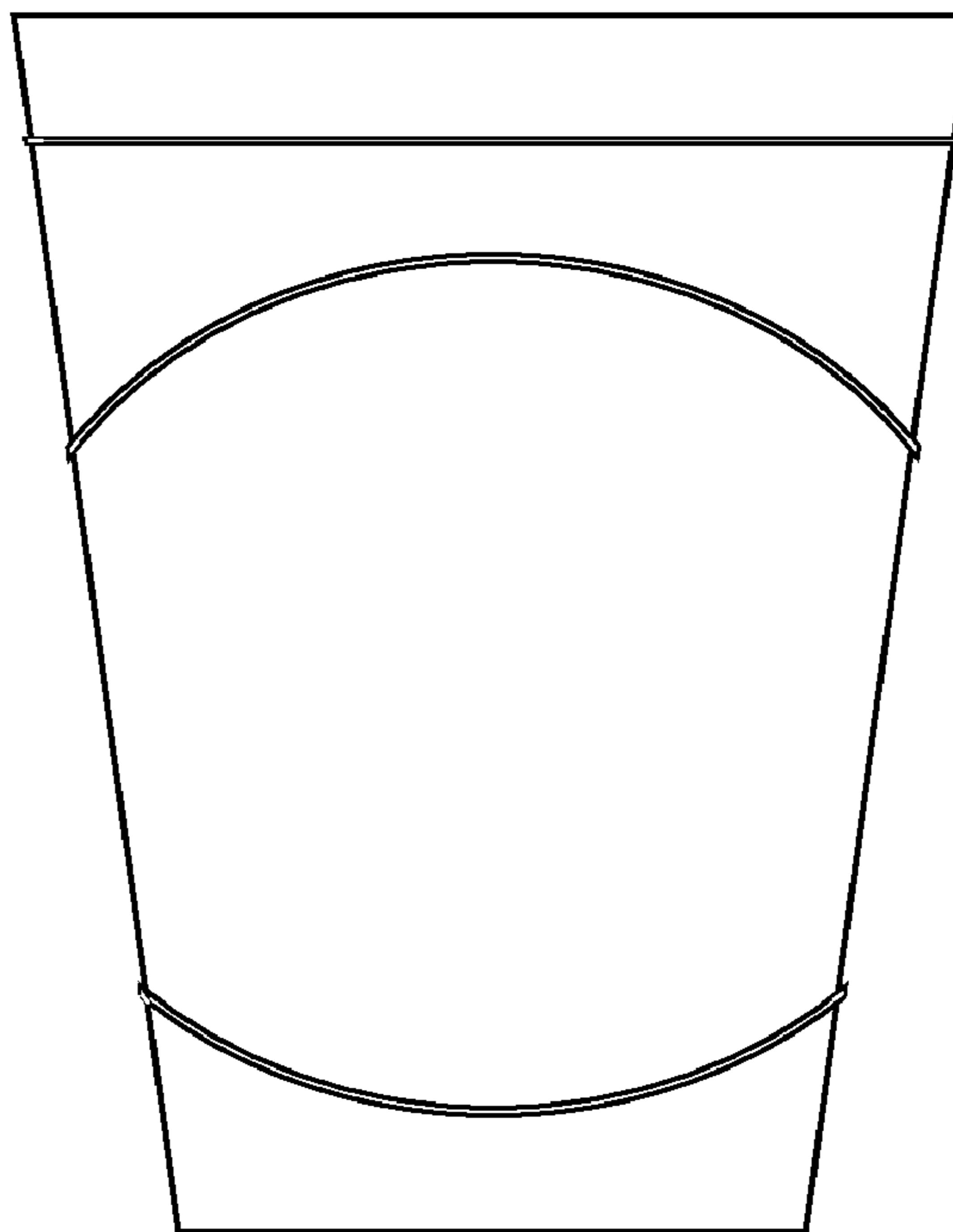


Fig. 3

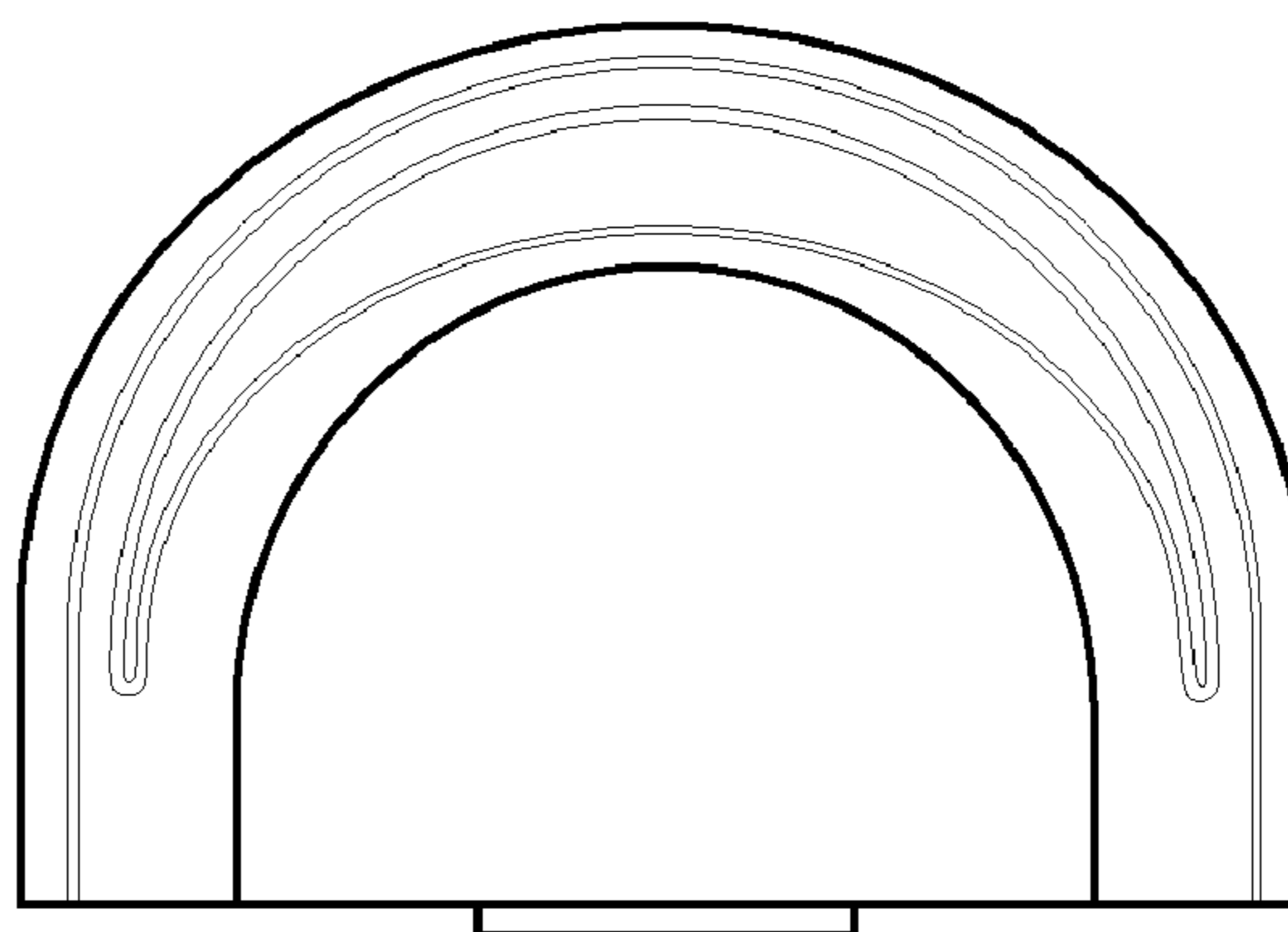


Fig. 4

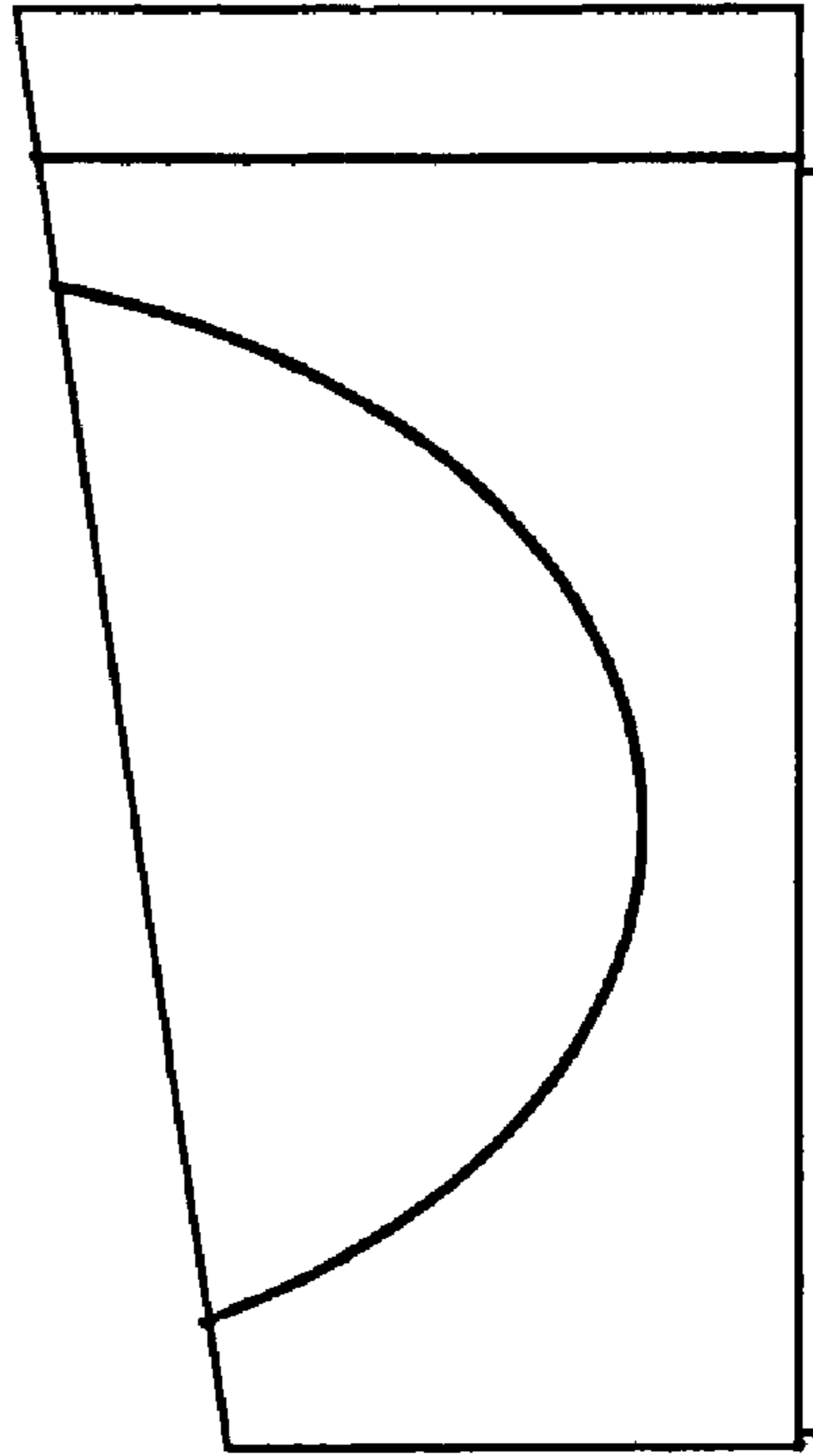
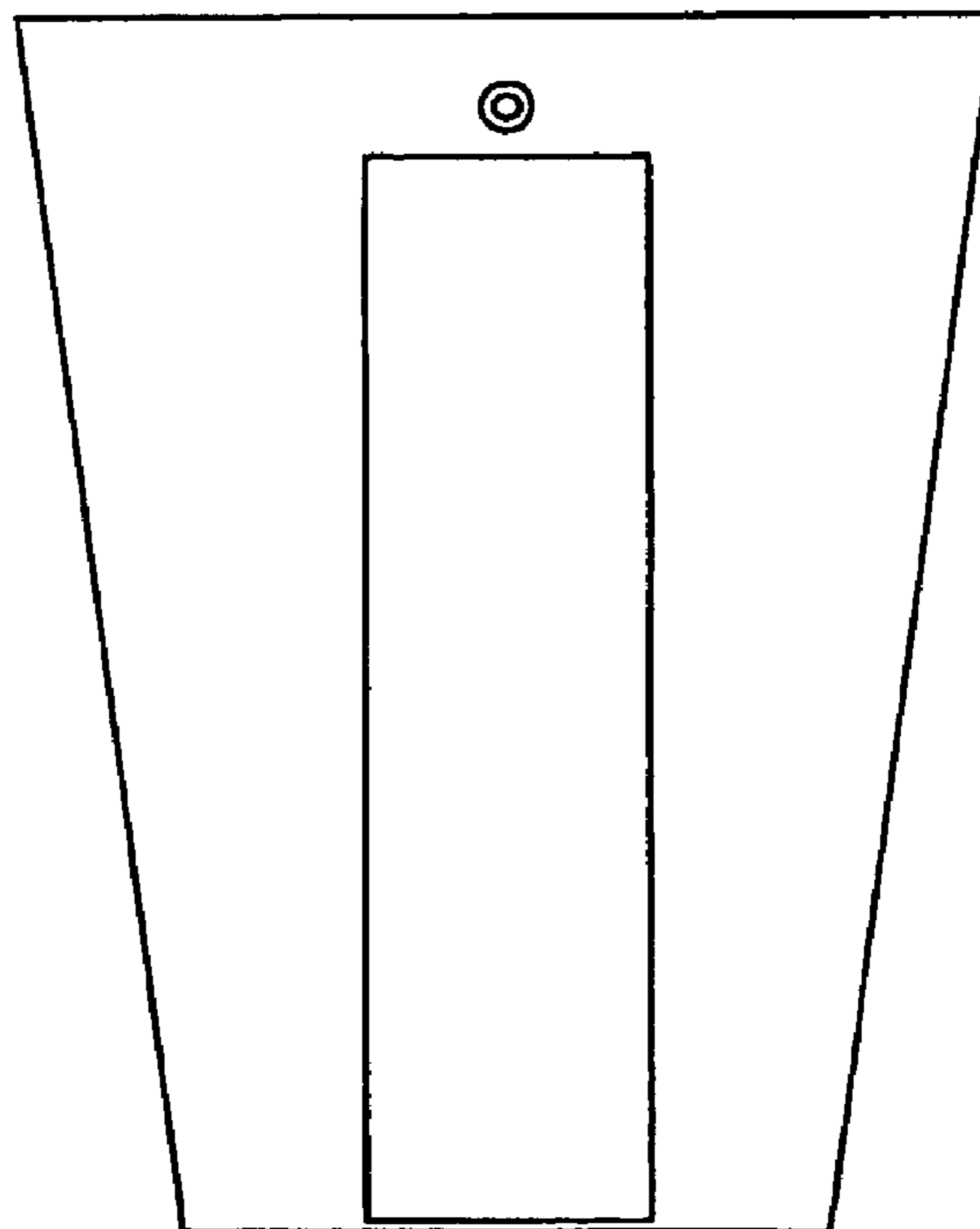


Fig. 5



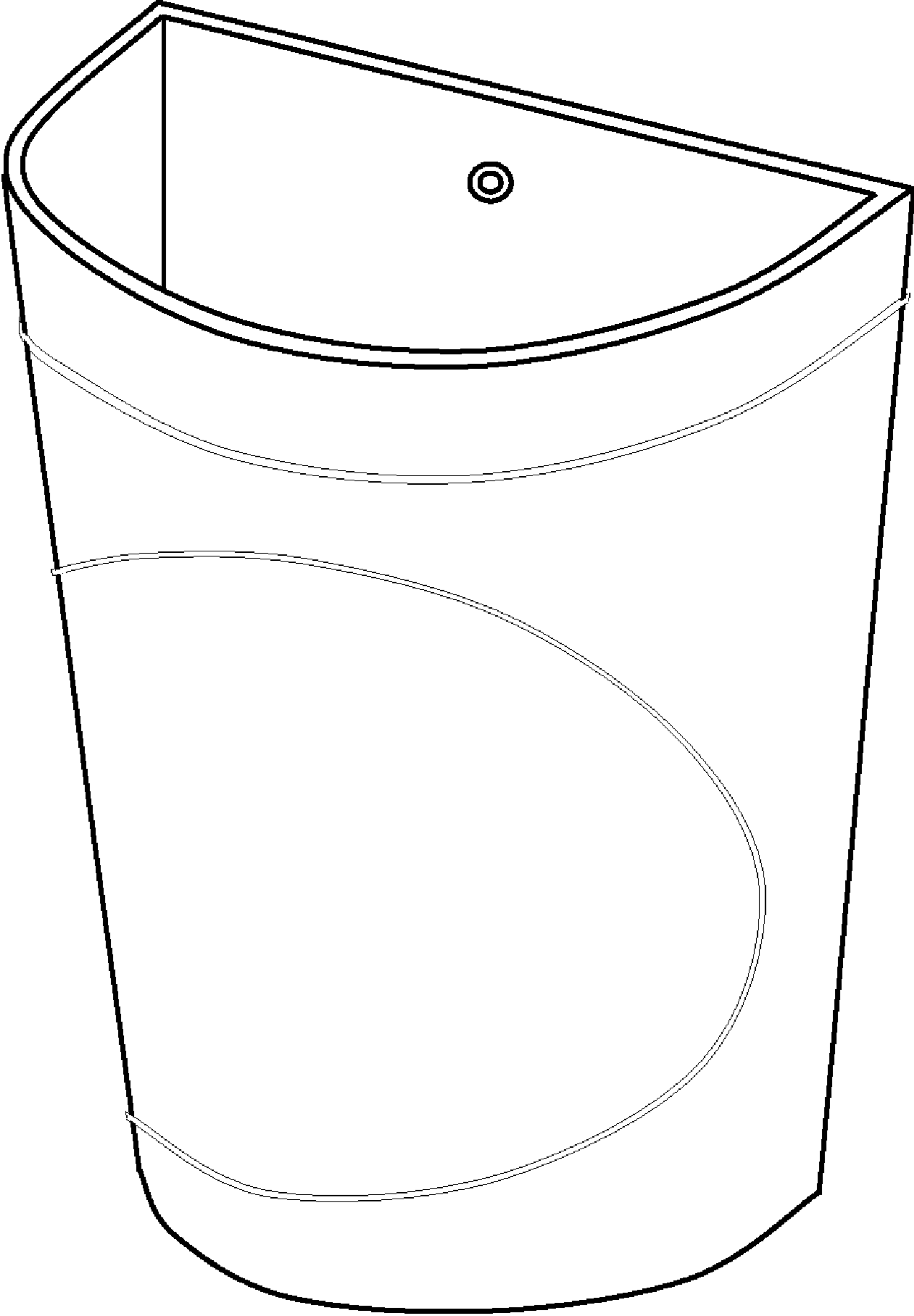


Fig. 6