



US00D616682S

(12) **United States Design Patent**
Gilbert

(10) **Patent No.:** **US D616,682 S**
(45) **Date of Patent:** **** Jun. 1, 2010**

(54) **ACCESSORY POST**

(75) Inventor: **Christopher Jon Gilbert**, Moreland Hills, OH (US)

(73) Assignee: **Moen Incorporated**, North Olmsted, OH (US)

(**) Term: **14 Years**

(21) Appl. No.: **29/345,691**

(22) Filed: **Oct. 21, 2009**

(51) **LOC (9) Cl.** **23-02**

(52) **U.S. Cl.** **D6/524**

(58) **Field of Classification Search** D6/518-524,
D6/546-550; D8/300, 370, 315; 108/28-29;
211/13.1, 16, 85.5, 86.01, 87.01, 88.04, 100,
211/105.1, 105.2, 106, 113, 123, 181.1, 182-183;
248/49, 175, 176.1, 200, 201, 205.1, 251,
248/302, 309.1, 315; 242/570, 590, 595-598
See application file for complete search history.

(56) **References Cited**

U.S. PATENT DOCUMENTS

D280,543 S	9/1985	Paul
D354,549 S	1/1995	Jans
D436,776 S	1/2001	Chen
D461,672 S	8/2002	Zhao
D463,935 S	10/2002	Zhao
D465,557 S	11/2002	Antoniello et al.
D469,292 S	1/2003	Chen et al.
D483,440 S	12/2003	Smith
D498,290 S	11/2004	Egee
D518,670 S	4/2006	Cheng et al.
D518,987 S	4/2006	Lau et al.

D520,789 S	5/2006	Zhu et al.
D564,270 S	3/2008	Gilbert
D575,565 S *	8/2008	Gilbert D6/524
D577,937 S *	10/2008	Krumpe D6/524
D591,542 S *	5/2009	Chen D6/524
D600,479 S *	9/2009	Gao D6/524

* cited by examiner

Primary Examiner—Brian N Vinson

(74) *Attorney, Agent, or Firm*—Calfee, Halter & Griswold LLP

(57) **CLAIM**

The ornamental design for an accessory post, as shown and described.

DESCRIPTION

FIG. 1 is a perspective view of an accessory post of the new design;

FIG. 2 is a front elevational view of the accessory post of FIG. 1;

FIG. 3 is a rear elevational view of the accessory post of FIG. 1;

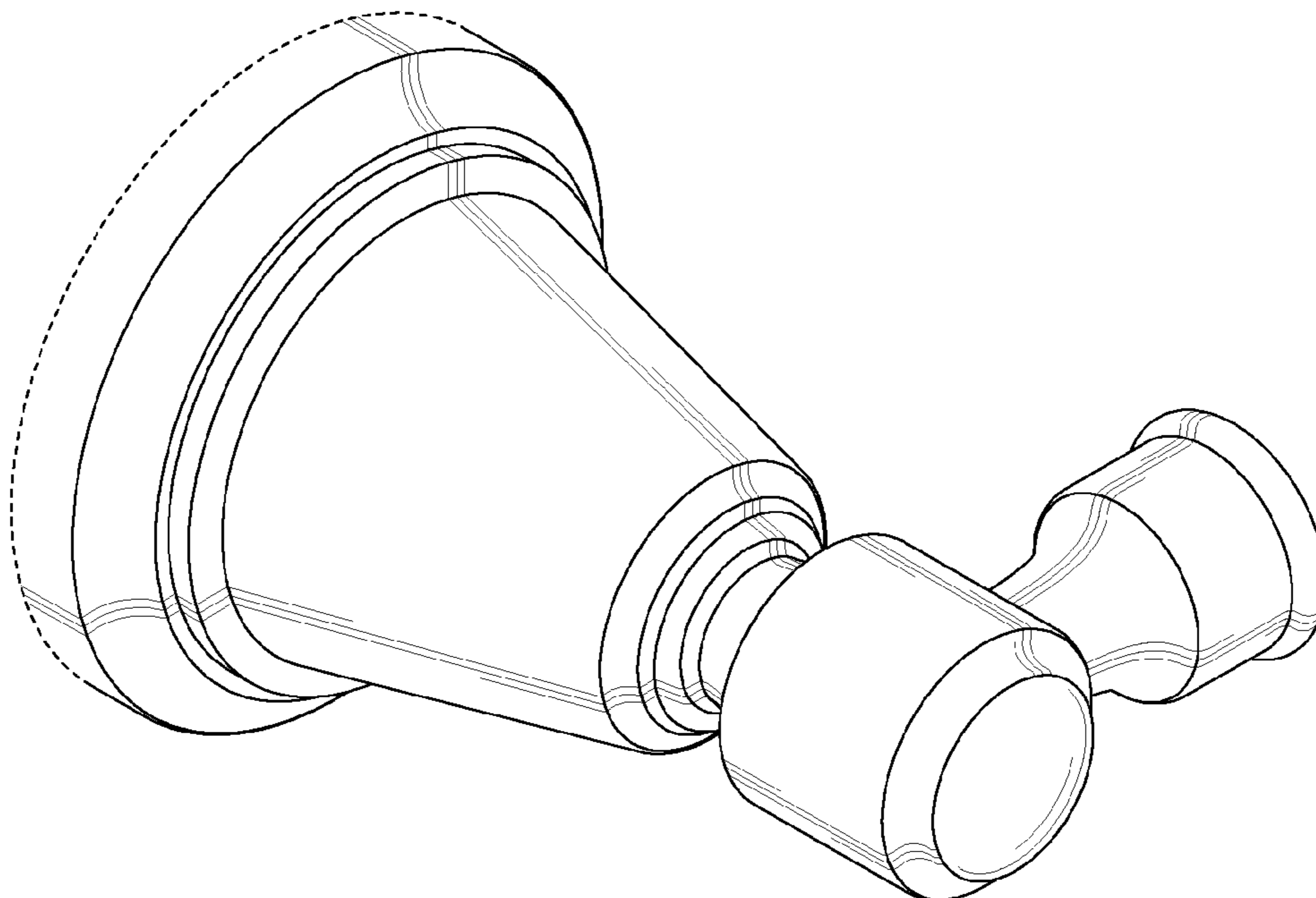
FIG. 4 is a left side elevational view of the accessory post of FIG. 1;

FIG. 5 is a right side elevational view of the accessory post of FIG. 1; and,

FIG. 6 is a top plan view of the accessory post of FIG. 1, the bottom plan view being a mirror image thereof.

The broken-line disclosure in the views is understood to represent an portion of the article in which the claimed design is embodied, but which forms no part of the claimed design.

1 Claim, 3 Drawing Sheets



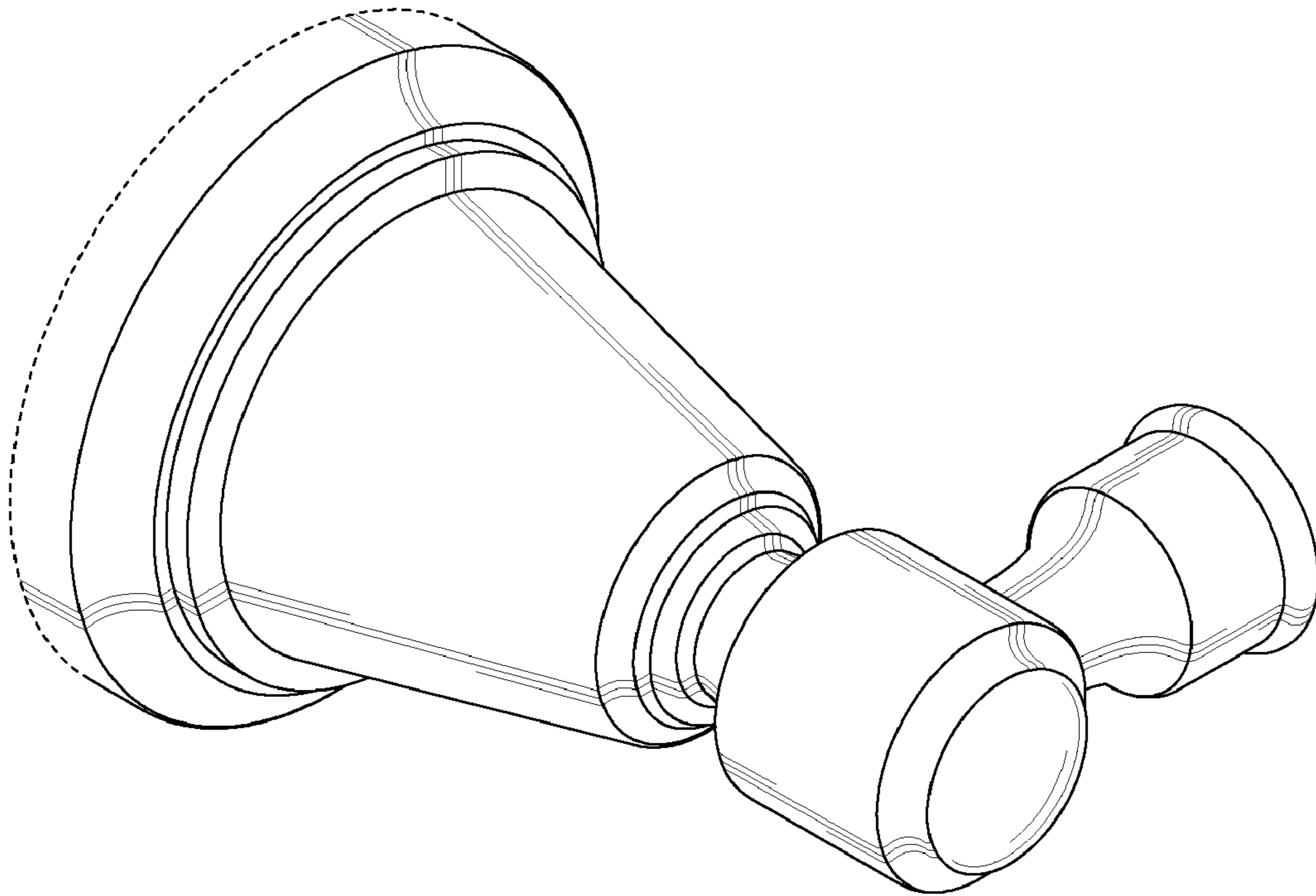


FIG. 1

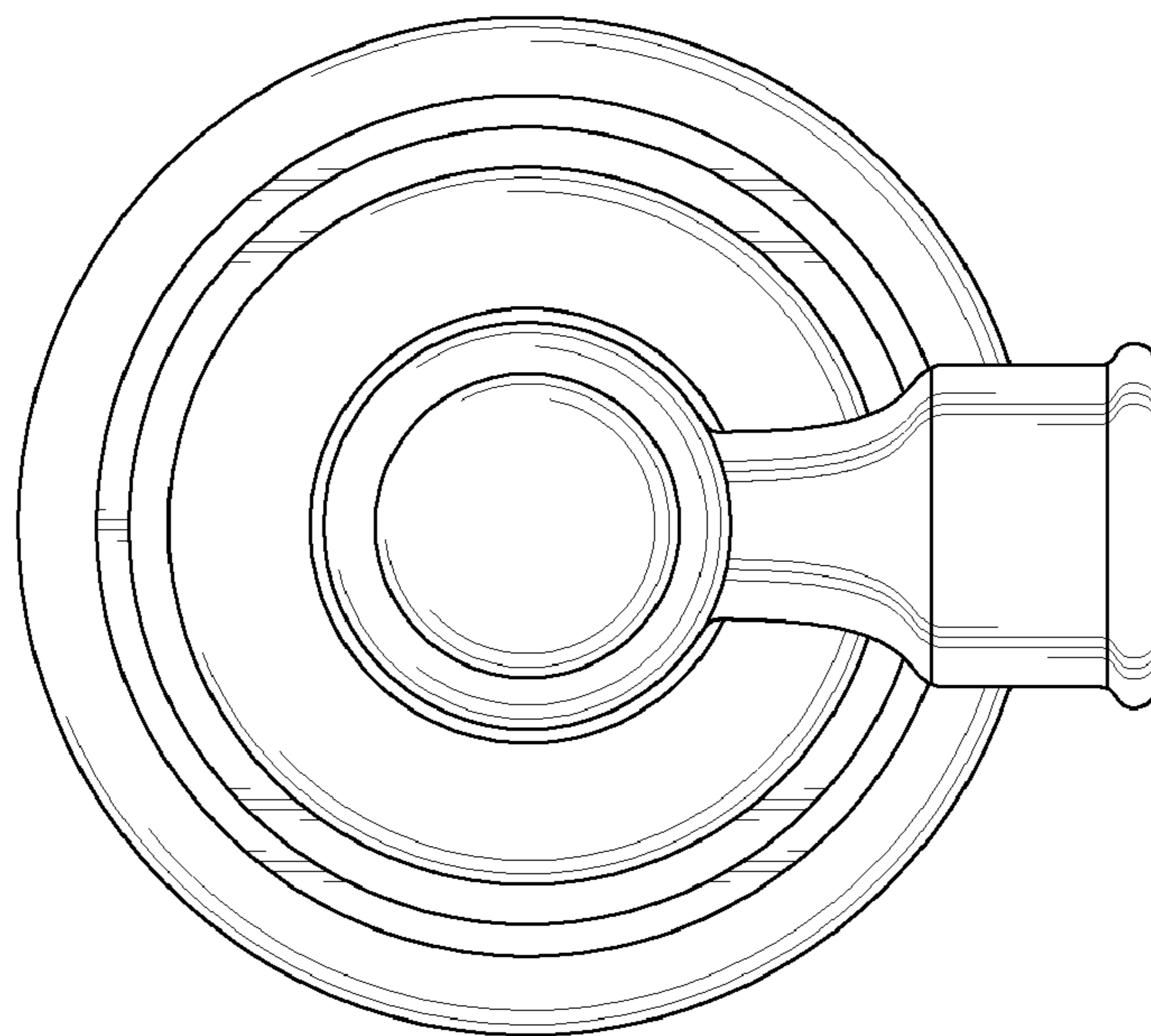


FIG. 2

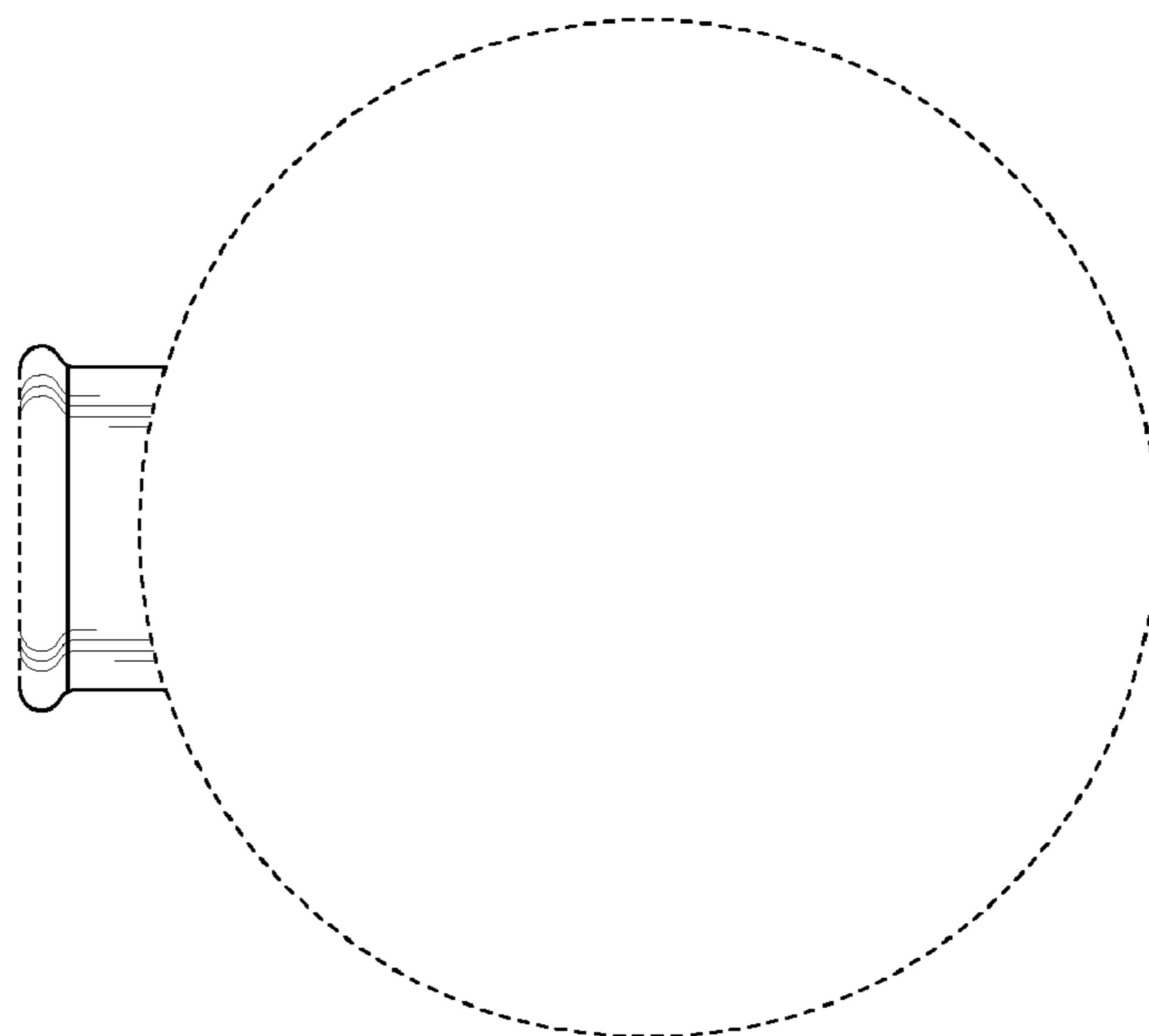


FIG. 3

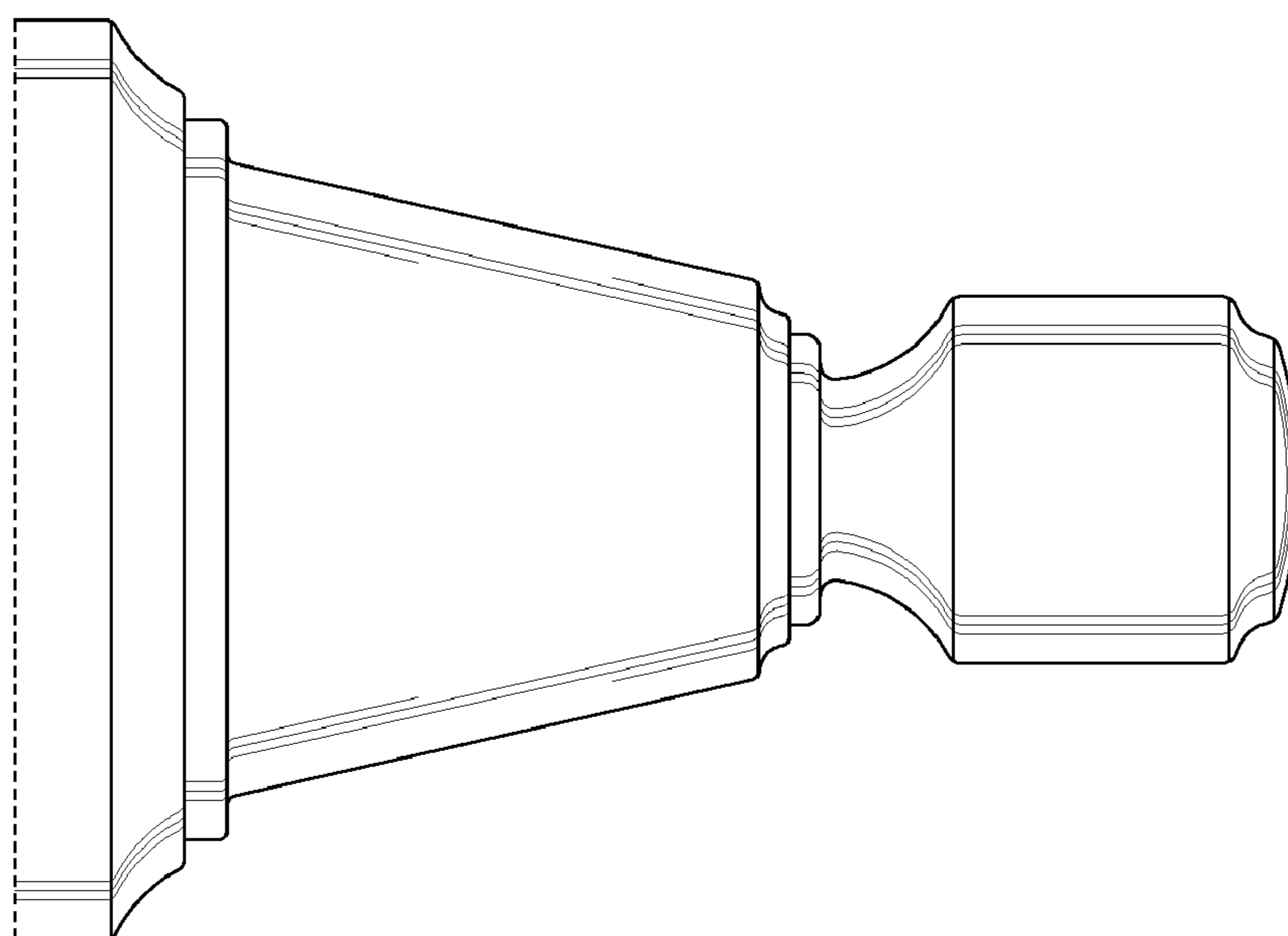


FIG. 4

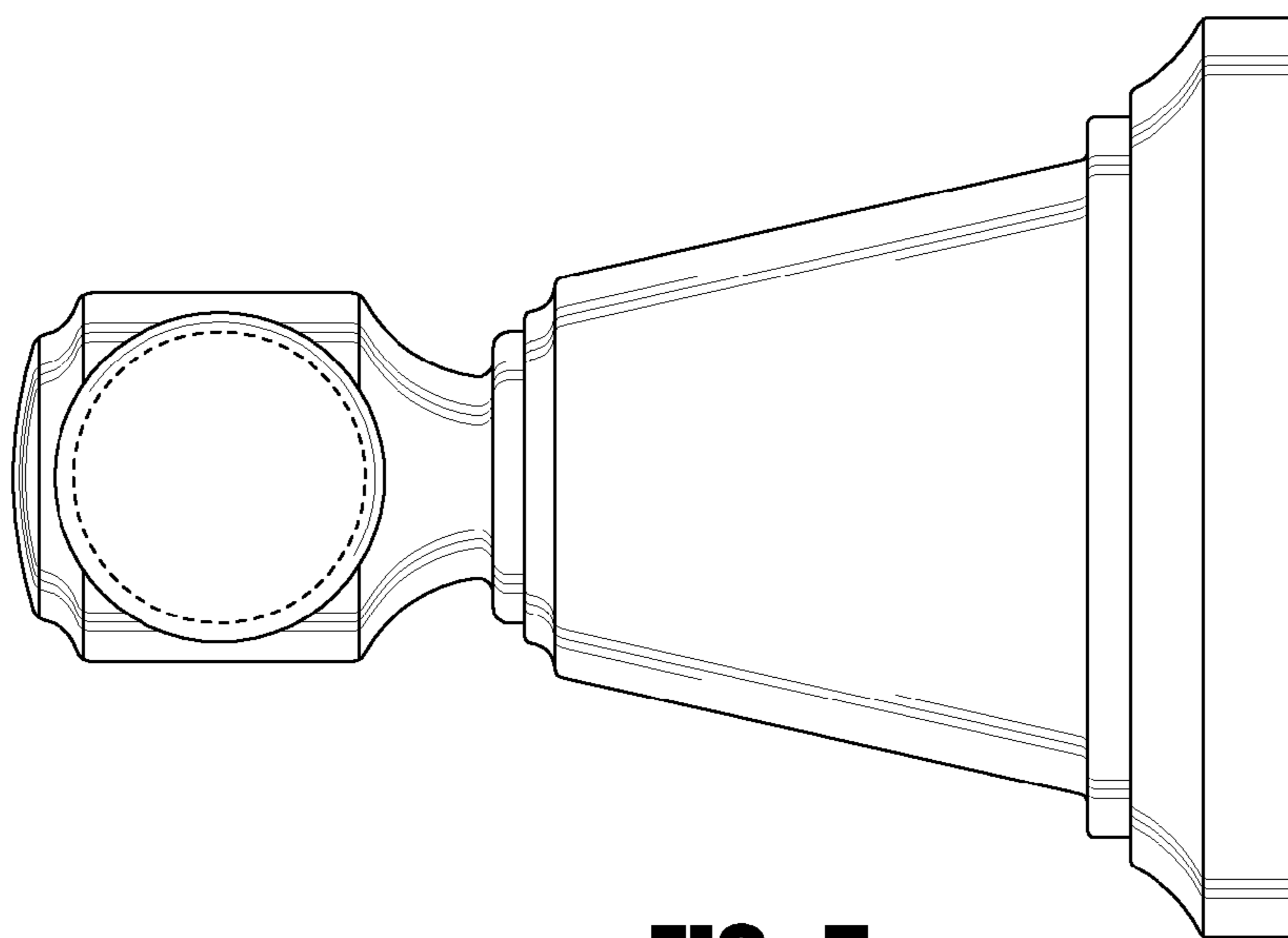


FIG. 5

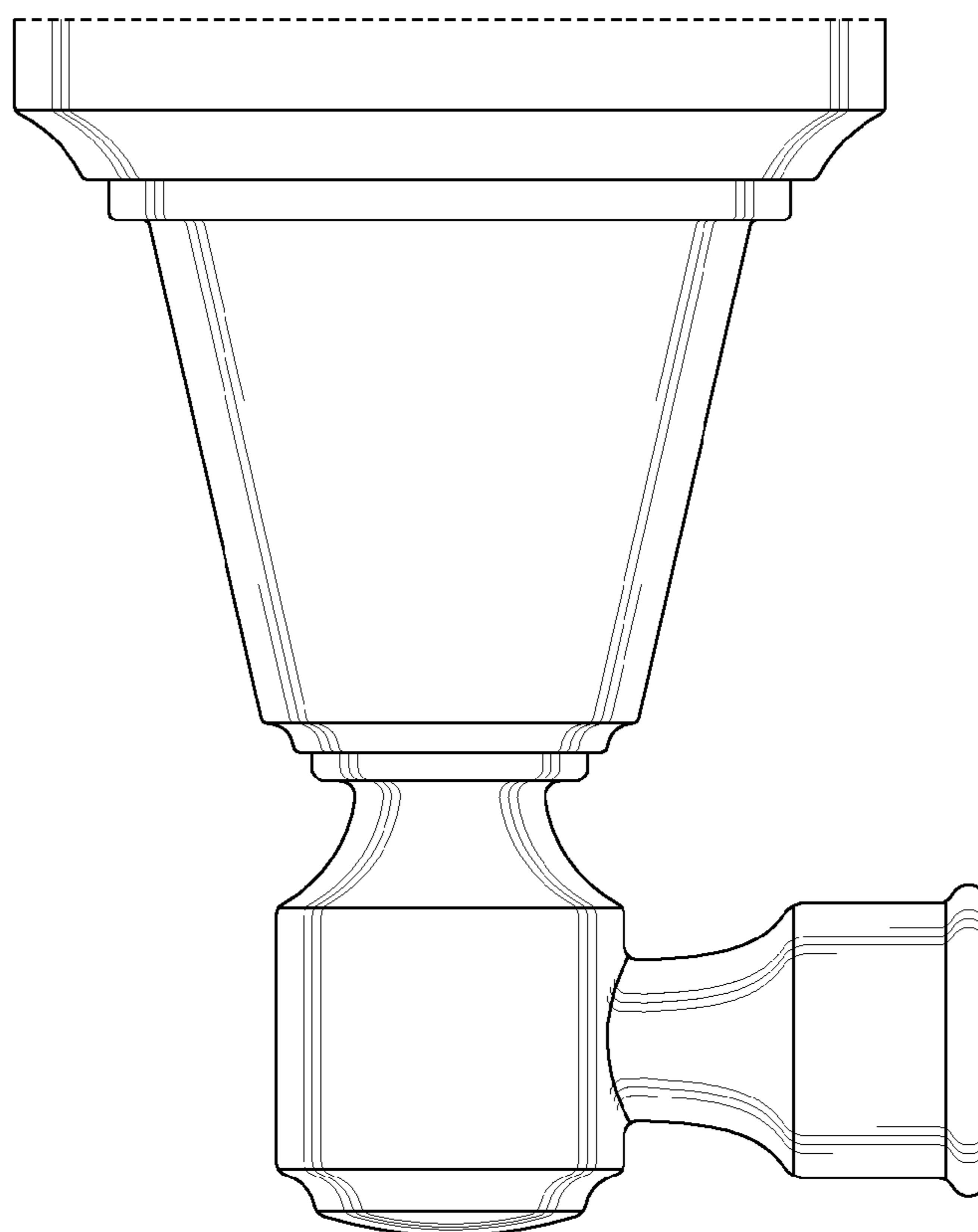


FIG. 6