



US00D616669S

(12) **United States Design Patent**  
**McMahon-Miller**

(10) **Patent No.:** **US D616,669 S**  
(45) **Date of Patent:** **\*\* Jun. 1, 2010**

(54) **PLATFORM**

(75) Inventor: **Elianne McMahon-Miller**, St. Paul,  
MN (US)

(73) Assignee: **Target Brands, Inc.**, Minneapolis, MN  
(US)

(\*\*) Term: **14 Years**

(21) Appl. No.: **29/334,443**

(22) Filed: **Mar. 26, 2009**

(51) **LOC (9) Cl.** ..... **06-06**

(52) **U.S. Cl.** ..... **D6/449**

(58) **Field of Classification Search** ..... D6/449,  
D6/480, 485, 495, 503, 382-384, 397, 491,  
D6/555, 511, 477-479, 509; D25/65; 108/51.3,  
108/57.16, 57.17, 57.18, 57.21; 248/188,  
248/188.1, 188.8, 346.01, 346.03, 346.06,  
248/188.2, 188.4; 312/242, 140, 265.5, 265.6,  
312/194, 195; 5/200.1, 236.1

See application file for complete search history.

(56) **References Cited**

U.S. PATENT DOCUMENTS

D268,796 S *	5/1983	Kola	.....	D6/349
4,487,134 A	12/1984	Foote		
4,643,280 A	2/1987	Hensley		
4,679,818 A	7/1987	Kakavas		
4,901,901 A	2/1990	Reitenour		
5,004,252 A	4/1991	Kraper		
D318,575 S *	7/1991	Applebaum	.....	D6/333
5,072,957 A	12/1991	Graebe, Jr.		
D355,988 S *	3/1995	Brooking	.....	D6/382
D396,566 S *	8/1998	Albrecht	.....	D6/349
5,816,434 A	10/1998	Weinstein		
5,918,798 A	7/1999	Frahm		
6,015,069 A	1/2000	Christensen		

6,269,987 B1	8/2001	LaPace et al.	
6,360,927 B1	3/2002	Barker	
D486,665 S *	2/2004	Weaver	..... D6/382
6,685,065 B1	2/2004	Ebling et al.	
6,814,269 B1	11/2004	Fernandez	
7,195,155 B2	3/2007	Garberg et al.	
7,334,669 B2	2/2008	Barker	
D582,168 S *	12/2008	Sandel	..... D6/349
2007/0273113 A1	11/2007	Muir	

OTHER PUBLICATIONS

Exhibit A, showing a device believed to have been used in Target Corporation stores in view of the public and in the United States more than one year prior to Mar. 26, 2009 (2 pages).

\* cited by examiner

*Primary Examiner*—Caron Veynar

*Assistant Examiner*—Abraham Bahta

(74) *Attorney, Agent, or Firm*—Griffiths & Seaton PLLC

(57) **CLAIM**

The ornamental design for a platform, as shown and described.

**DESCRIPTION**

FIG. 1 is a top, perspective view of the platform;

FIG. 2 is a bottom, perspective view thereof;

FIG. 3 is a top view thereof;

FIG. 4 is a bottom view thereof;

FIG. 5 is front view thereof;

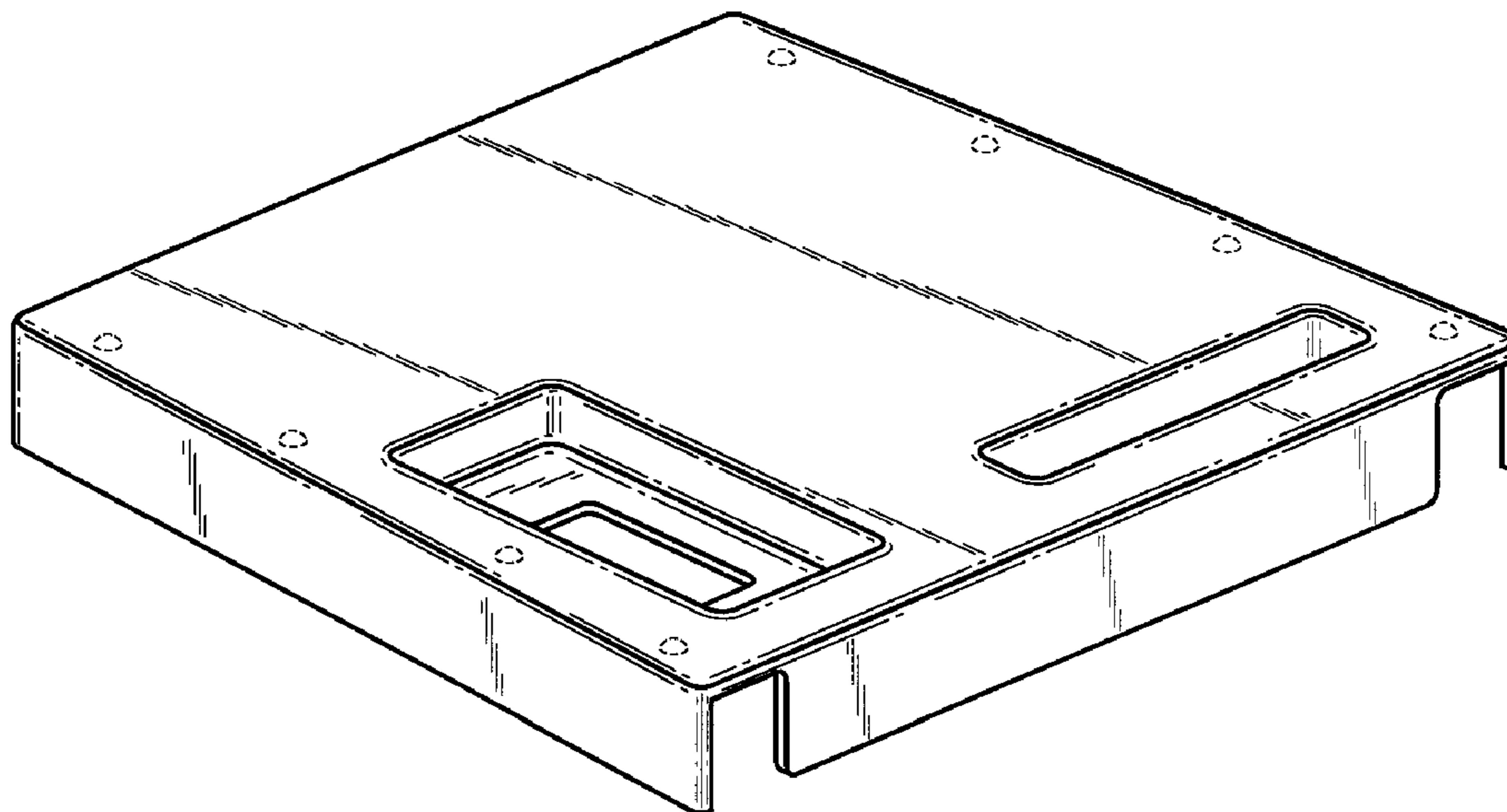
FIG. 6 is a back view thereof;

FIG. 7 is a right side view thereof; and,

FIG. 8 is a left side view thereof.

The broken lines are for illustrative purposes only and form no part of the claimed design.

**1 Claim, 3 Drawing Sheets**



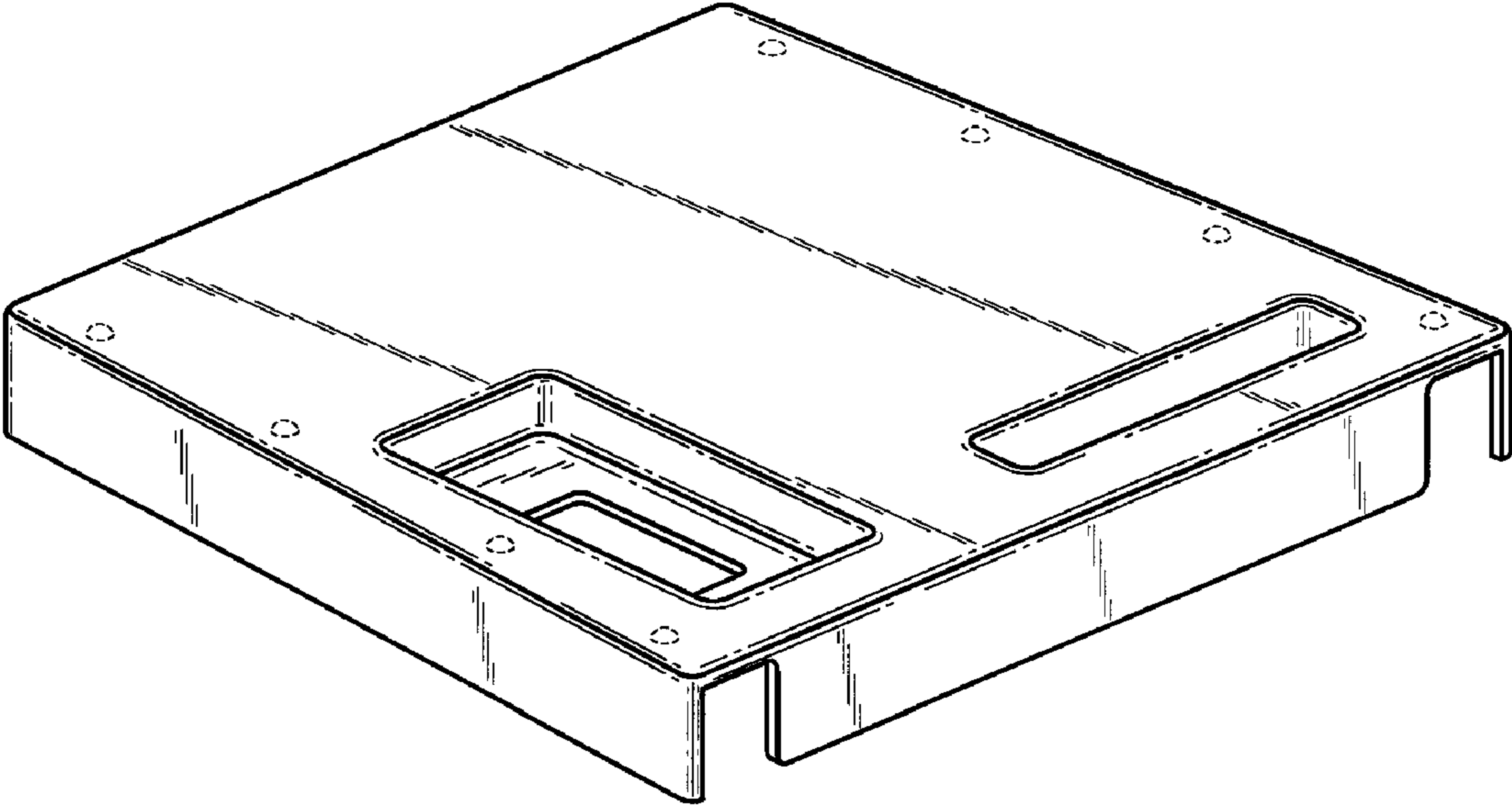


Fig. 1

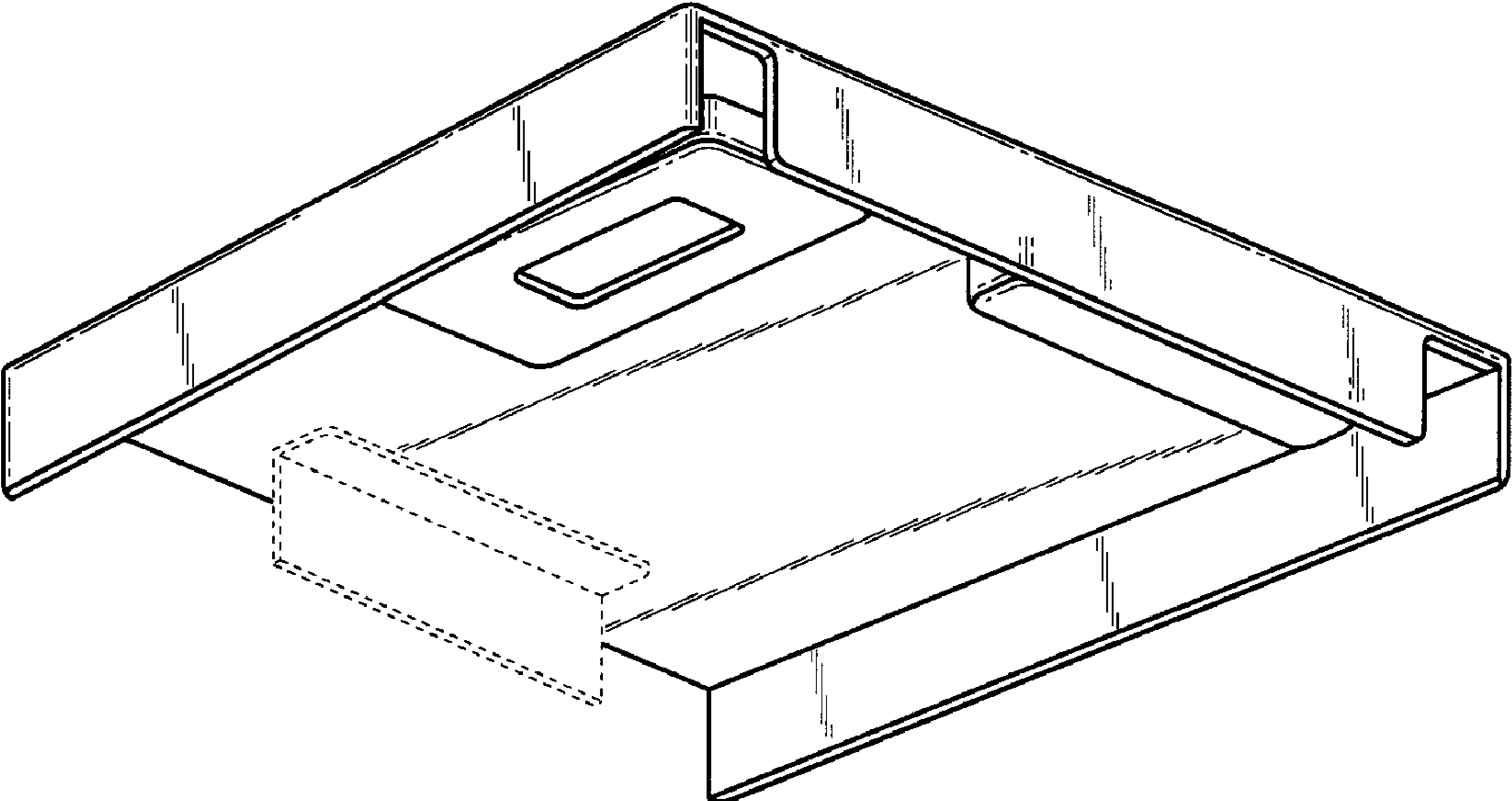
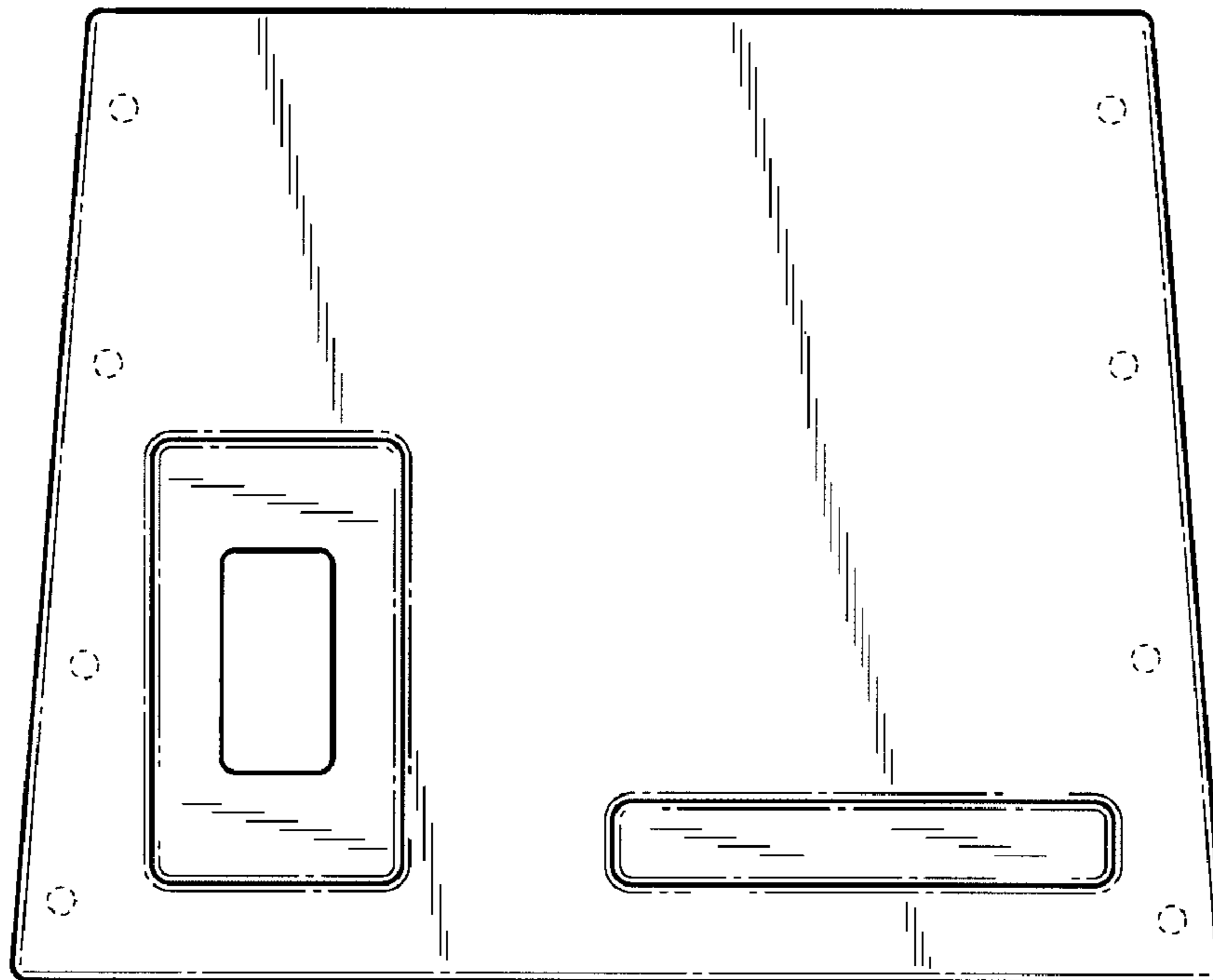
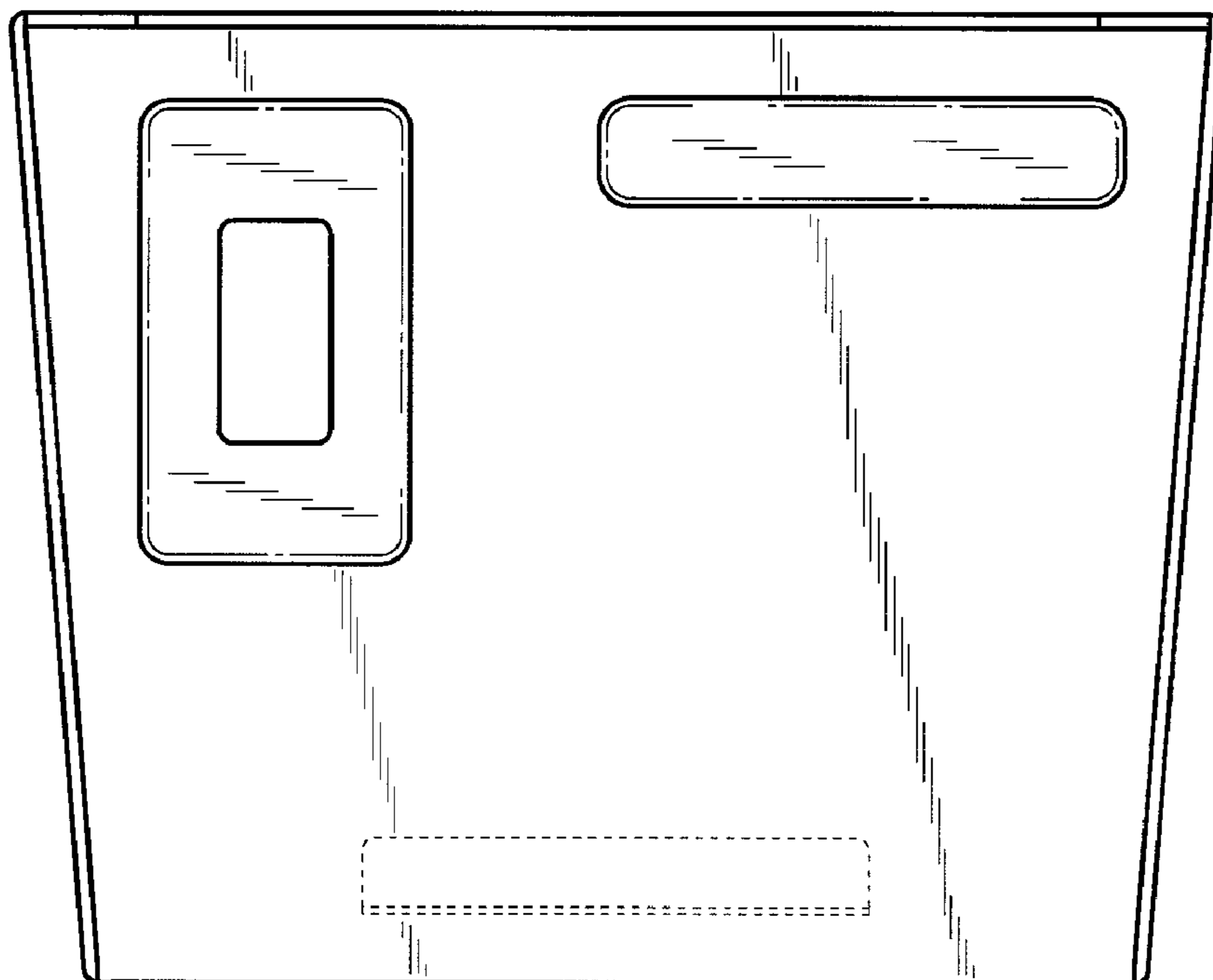


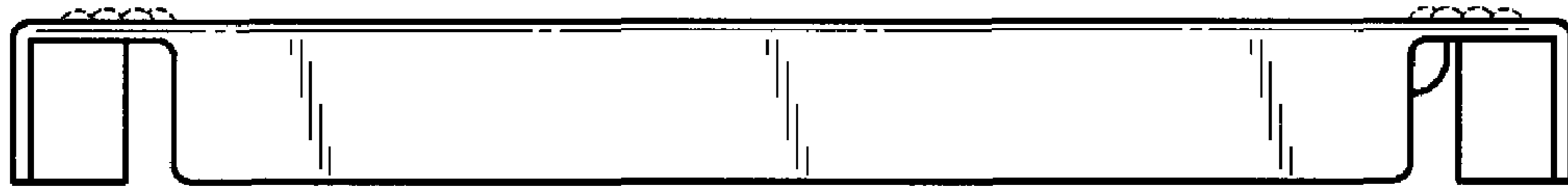
Fig. 2



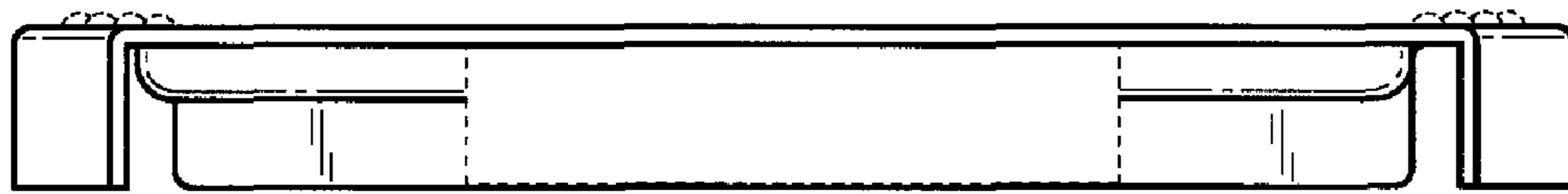
**Fig. 3**



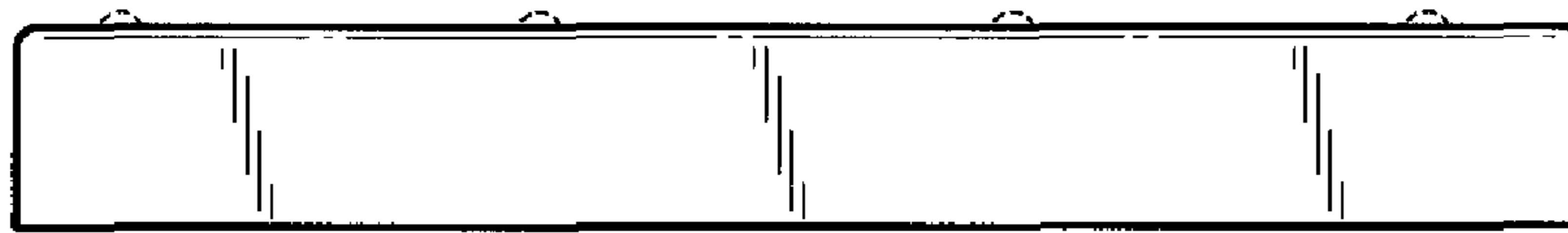
**Fig. 4**



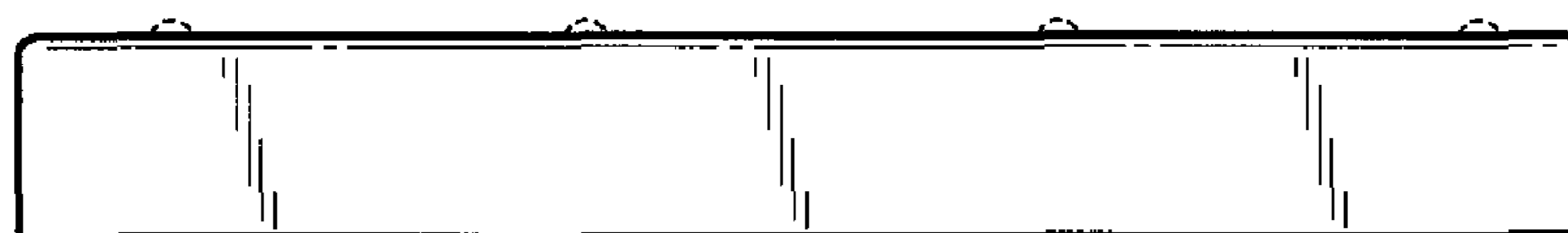
**Fig. 5**



**Fig. 6**



**Fig. 7**



**Fig. 8**