



US00D616667S

(12) **United States Design Patent**
Pazhoor

(10) **Patent No.:** **US D616,667 S**
(45) **Date of Patent:** **** Jun. 1, 2010**

(54) **PORTABLE VOTING BOOTH**

D603,621 S * 11/2009 Abel et al. D6/421

(75) Inventor: **Mohamed Pazhoor**, West Palm Beach,
FL (US)

* cited by examiner

Primary Examiner—Janice E Seeger

(73) Assignee: **Naztec International Group, LLC**,
West Palm Beach, FL (US)

(74) *Attorney, Agent, or Firm*—McHale & Slavin, P.A.

(**) Term: **14 Years**

(57) **CLAIM**

The ornamental design for a portable voting booth, as shown
and described.

(21) Appl. No.: **29/338,887**

(22) Filed: **Jun. 19, 2009**

DESCRIPTION

(51) **LOC (9) Cl.** **06-03**

FIG. 1 is a front perspective view of the portable voting booth
of the instant invention;

(52) **U.S. Cl.** **D6/421**

FIG. 2 is a front view thereof;

(58) **Field of Classification Search** D6/421–428,
D6/429, 487; 312/194–196, 198; 108/50.01,
108/50.02, 60; 235/51, 50 R; 52/36.1, 36.4
See application file for complete search history.

FIG. 3 is a rear view thereof;

FIG. 4 is a left side view thereof;

FIG. 5 is a right side view thereof;

FIG. 6 is a top view thereof;

FIG. 7 is a bottom view thereof;

FIG. 8 is a side view of multiple portable voting booths of the
instant invention in a nested configuration;

FIG. 9 is top view of FIG. 8; and,

FIG. 10 is a perspective view of FIG. 8.

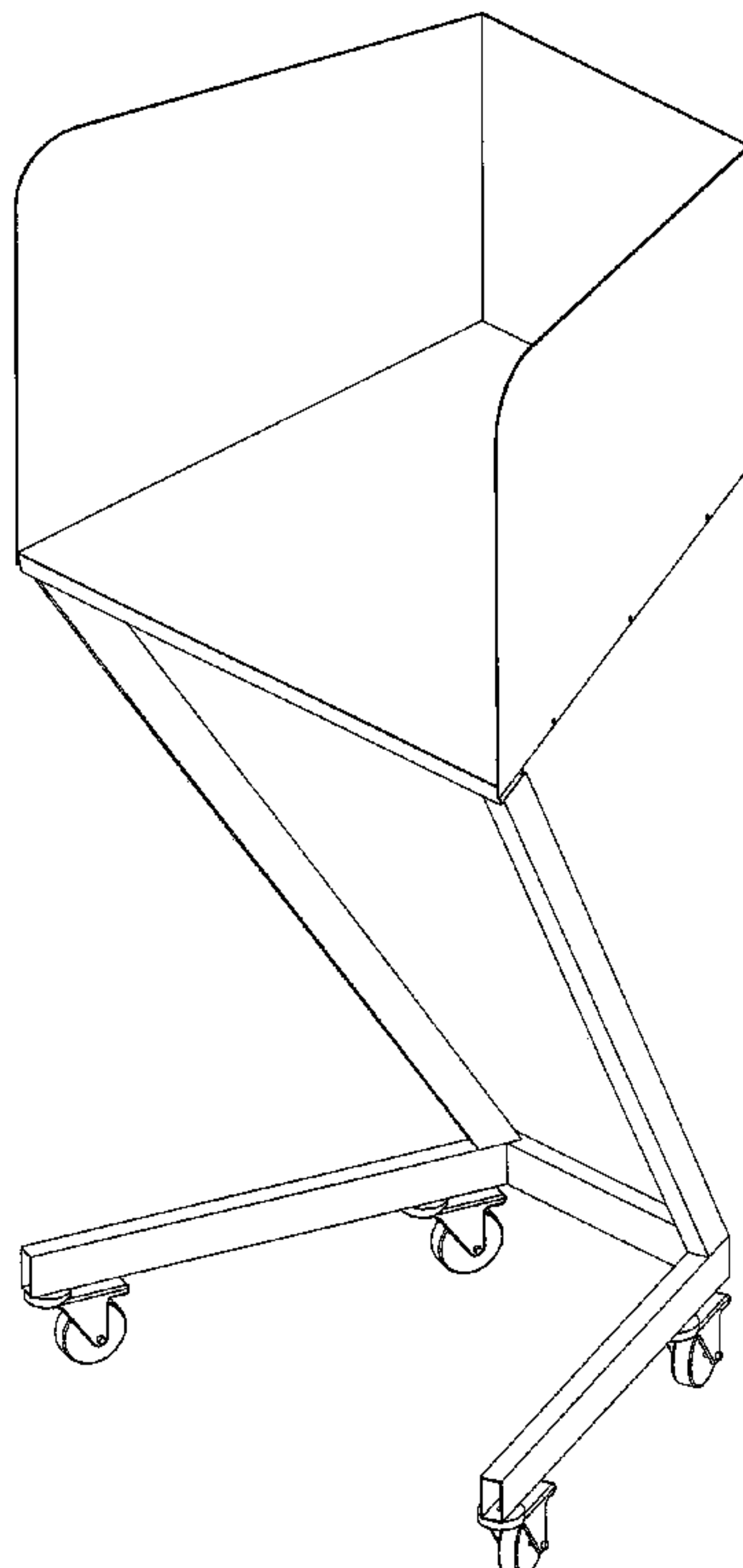
The portions of the Figures illustrated in broken lines are for
illustrative purposes only and form no part of the claimed
subject matter.

(56) **References Cited**

U.S. PATENT DOCUMENTS

- D176,289 S * 12/1955 Schmacher D6/421
- D191,747 S * 11/1961 Jentzen D6/421
- 3,211,506 A * 10/1965 Levy et al. 312/239
- D203,121 S * 12/1965 Barecki D6/421
- D221,386 S * 8/1971 Babs D6/421
- D475,219 S * 6/2003 McClure et al. D6/421
- D603,184 S * 11/2009 Abel et al. D6/421

1 Claim, 10 Drawing Sheets



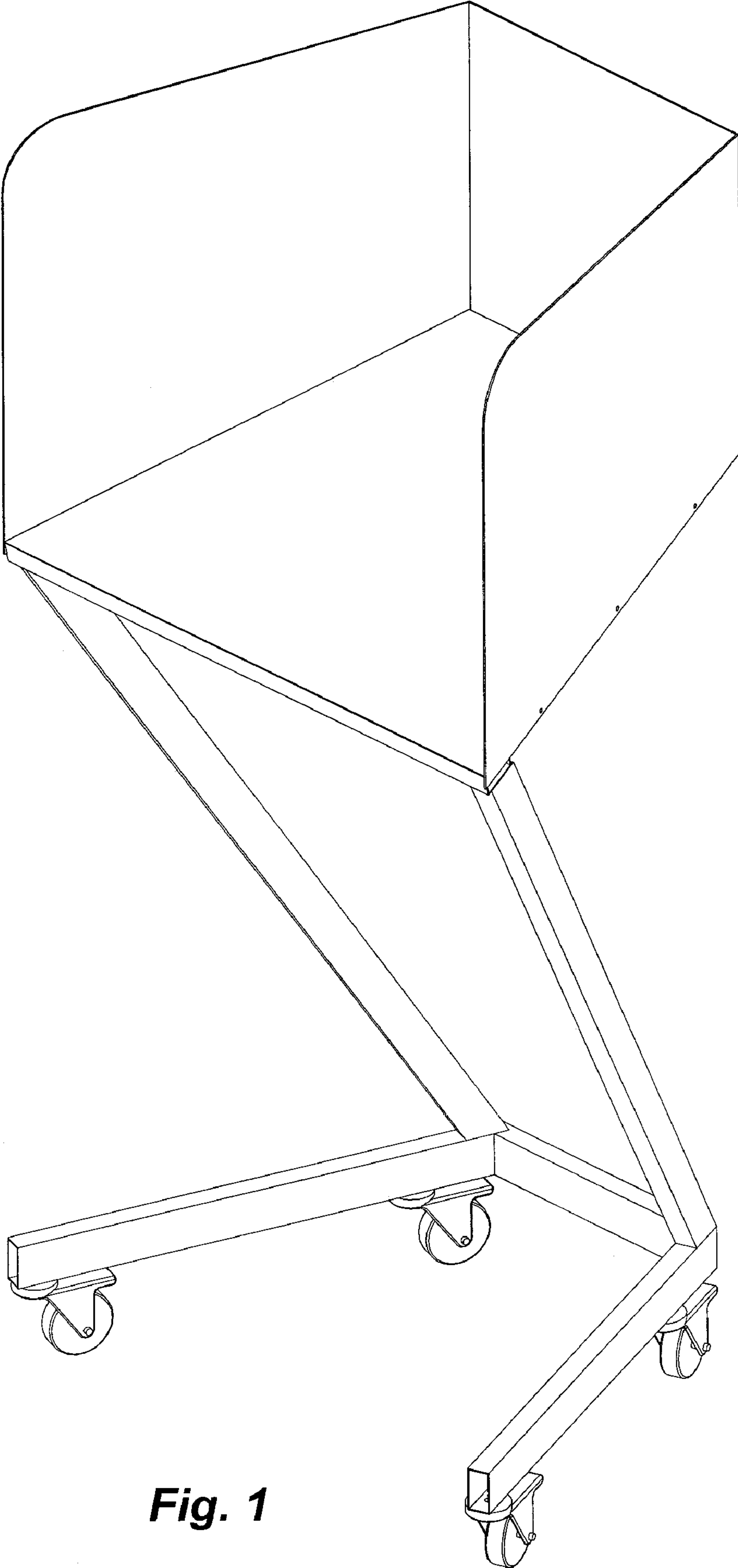


Fig. 1

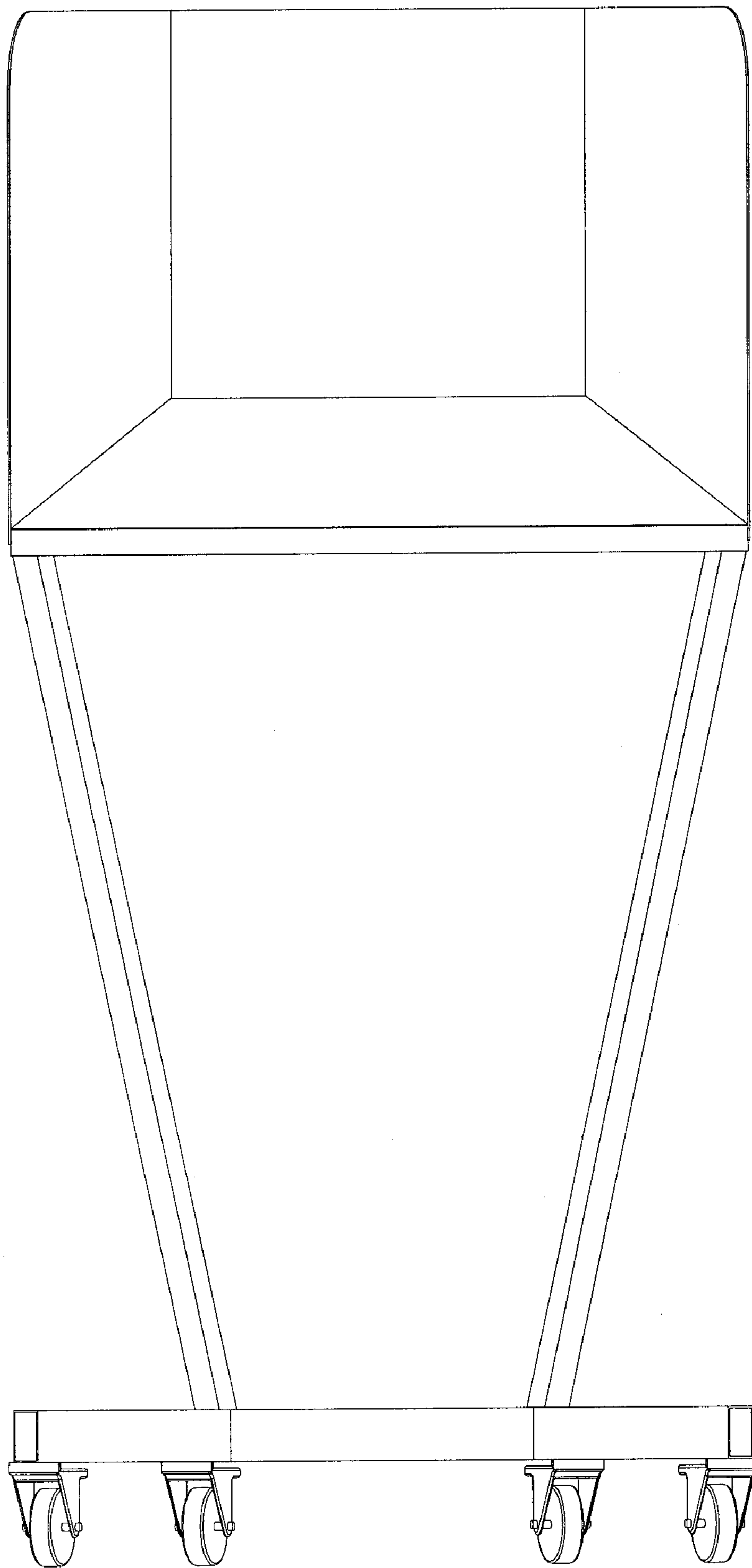


Fig. 2

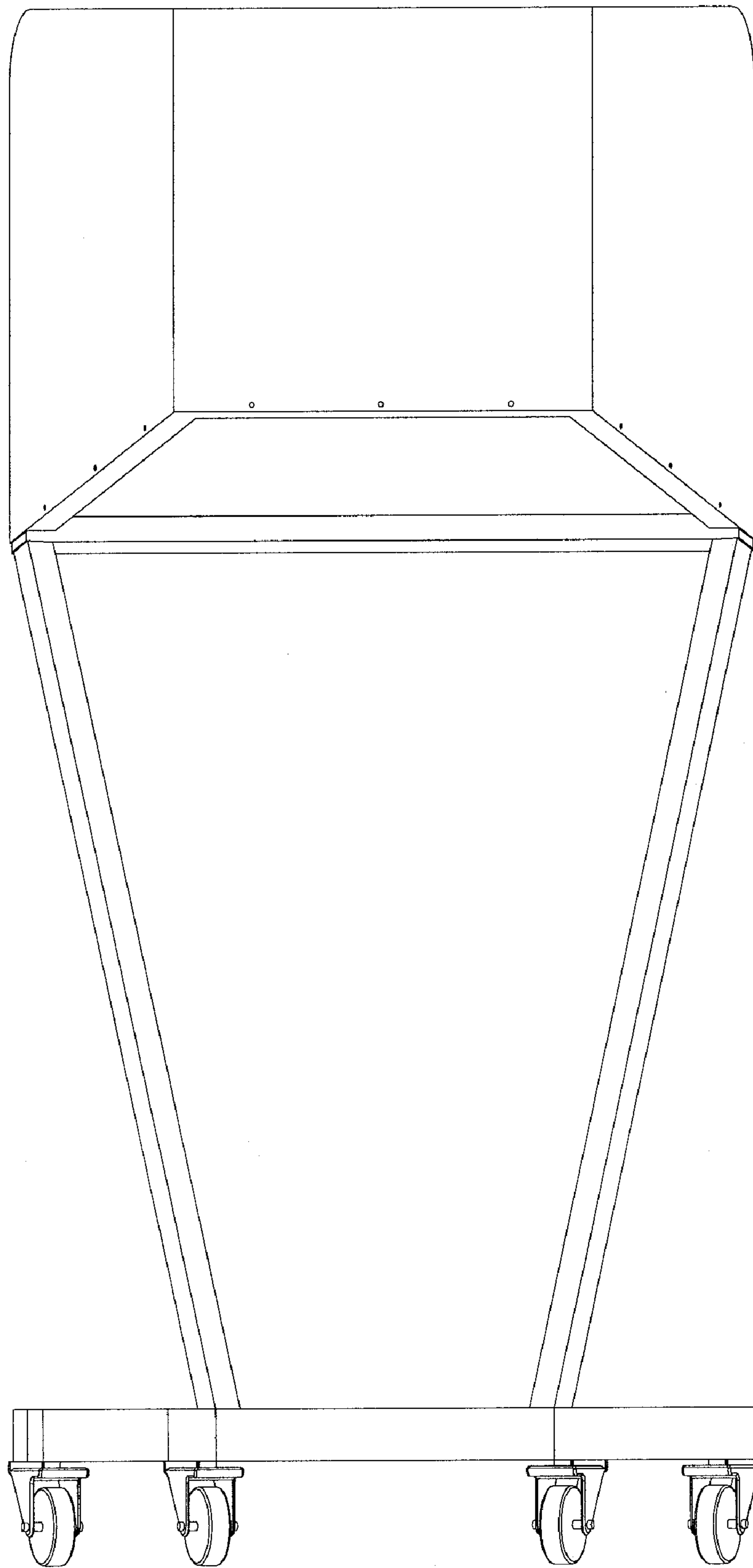


Fig. 3

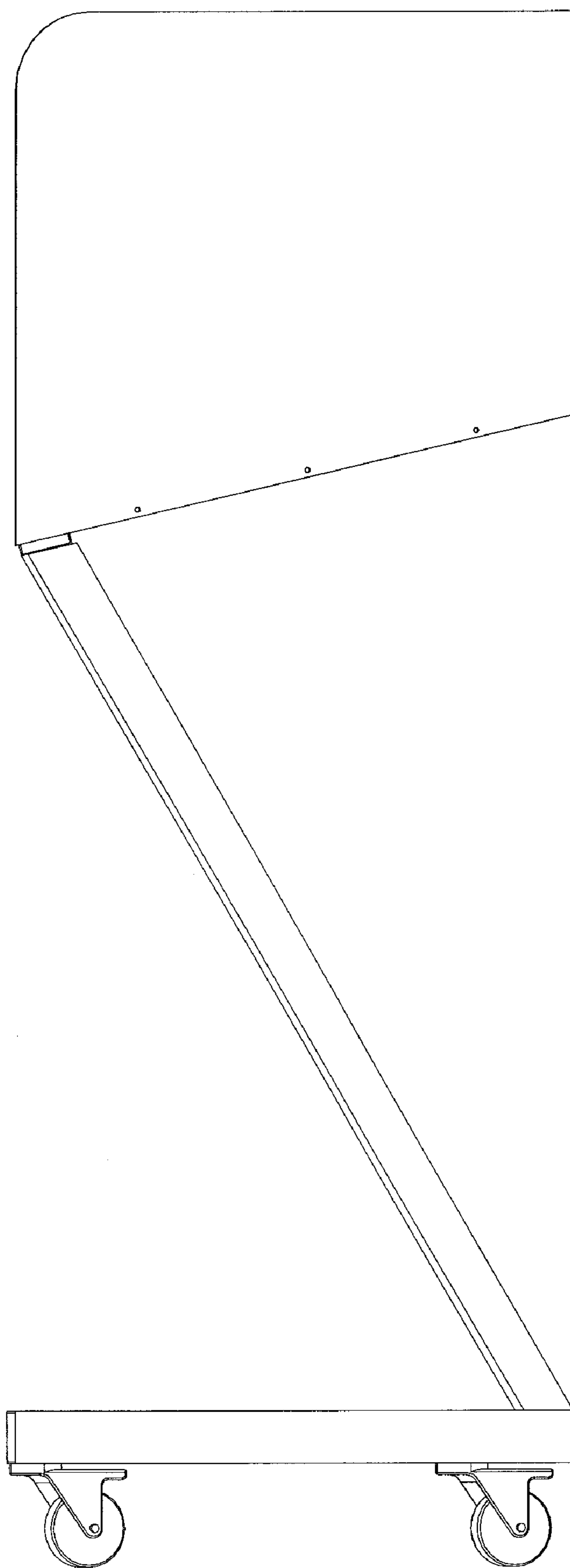


Fig. 4

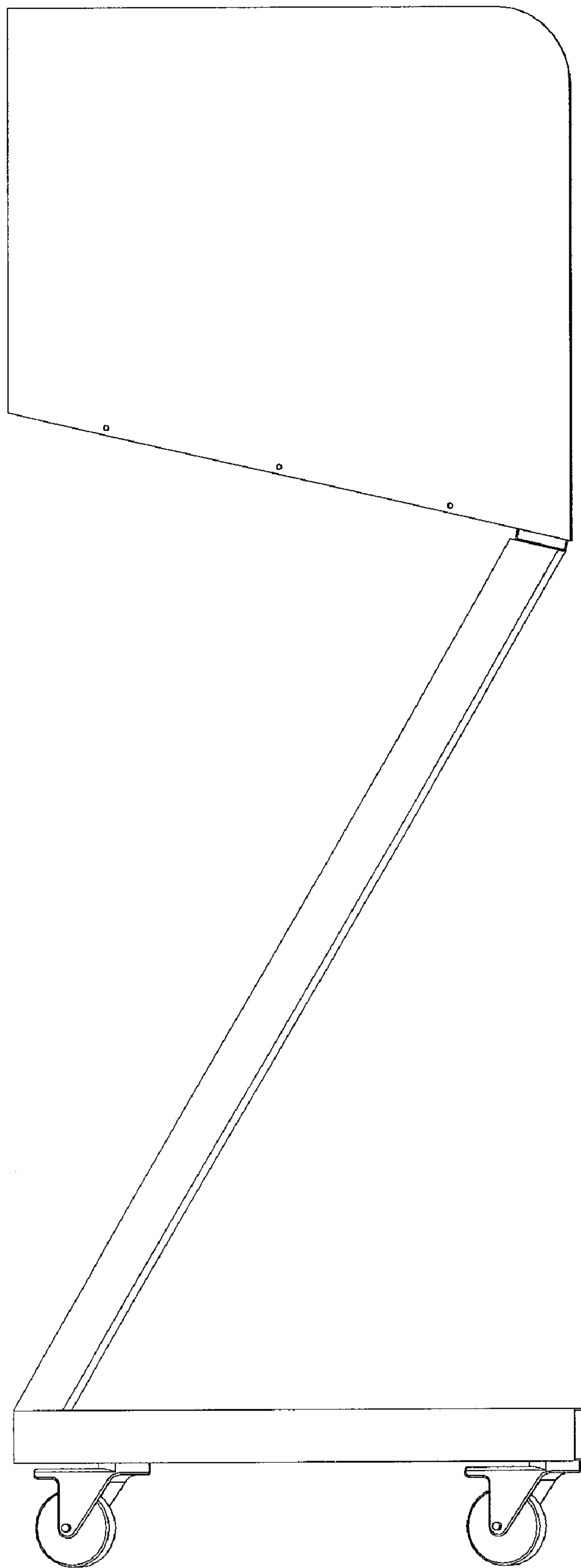


Fig. 5

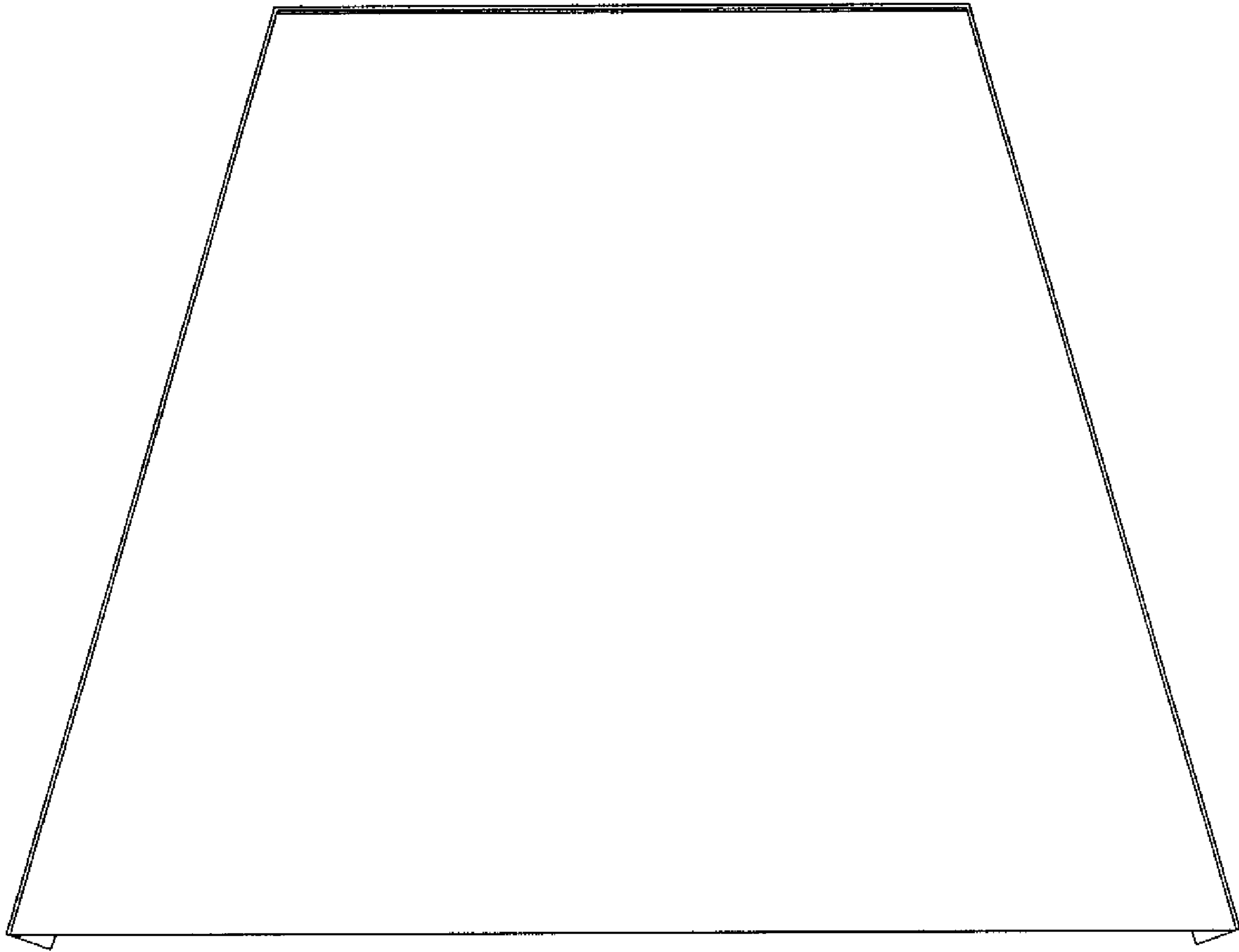


Fig. 6

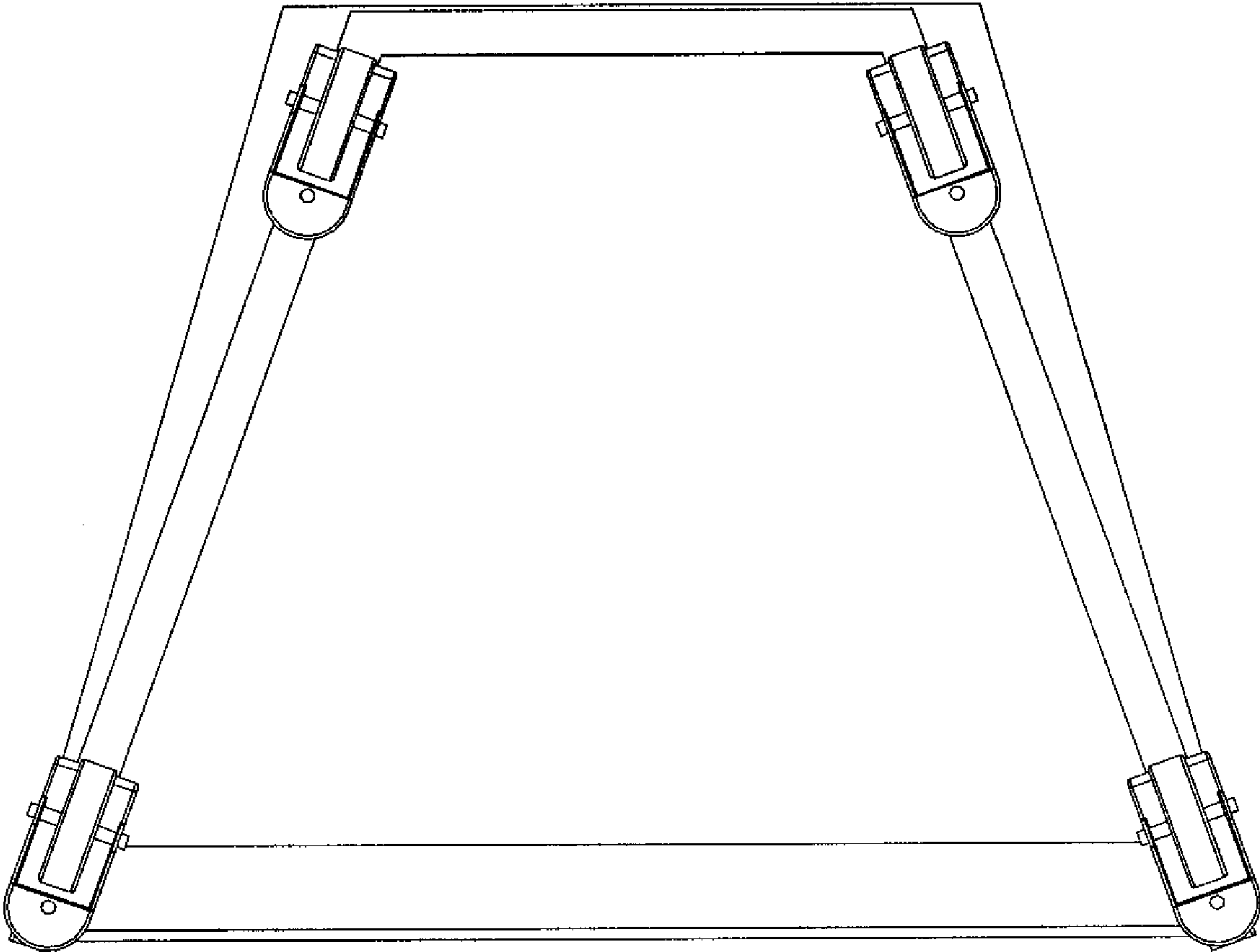


Fig. 7

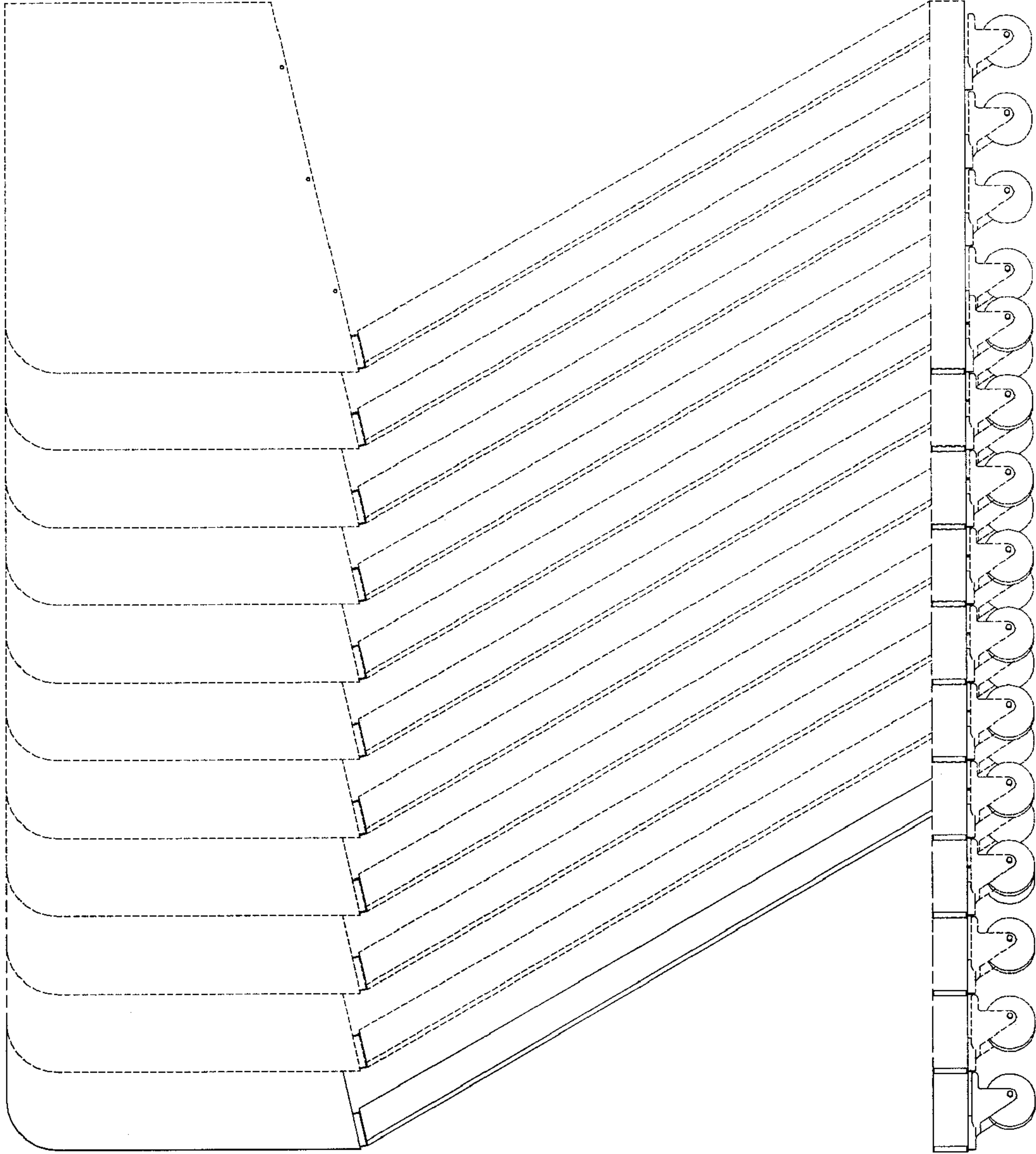


Fig. 8

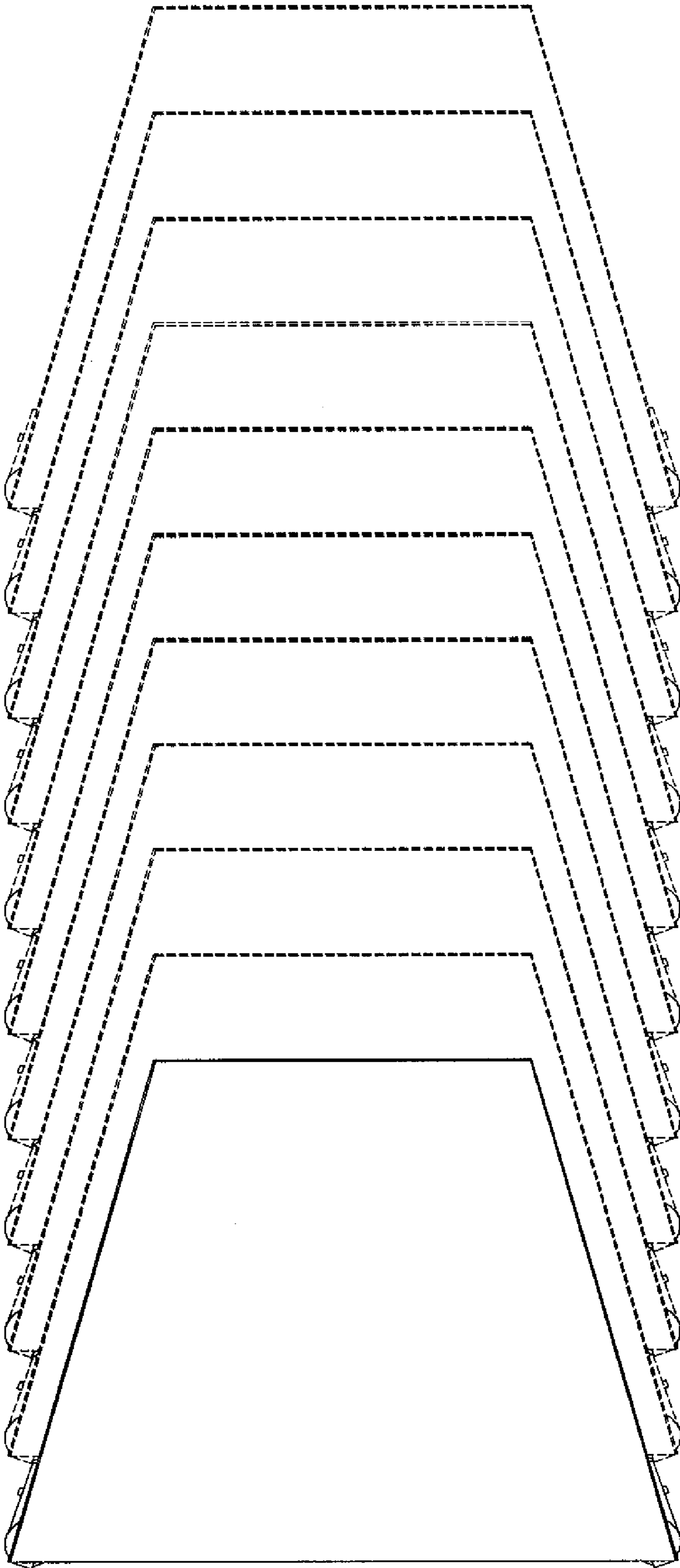


Fig. 9

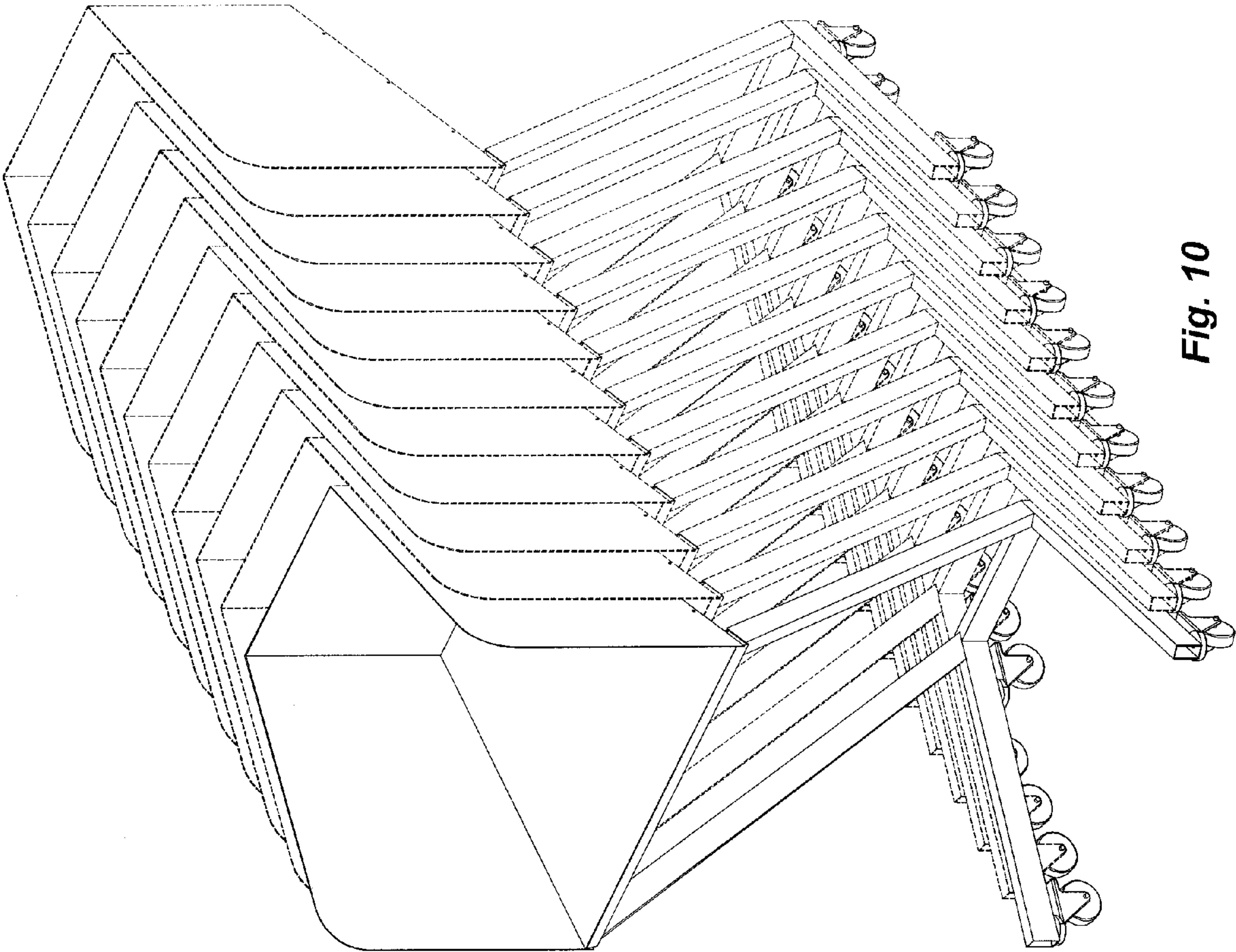


Fig. 10