



US00D616665S

(12) **United States Design Patent**
Dumais

(10) **Patent No.:** **US D616,665 S**
(45) **Date of Patent:** **** Jun. 1, 2010**

(54) **CHILD'S BED**

(75) Inventor: **Shauntal Natasha Dumais**,
Collingwood (AU)

(73) Assignee: **Ubabub Pty Ltd**, Collingwood (AU)

(**) Term: **14 Years**

(21) Appl. No.: **29/311,529**

(22) Filed: **Apr. 14, 2009**

(30) **Foreign Application Priority Data**

Oct. 14, 2008 (AU) 14918/2008

(51) **LOC (9) Cl.** **06-02**

(52) **U.S. Cl.** **D6/390**

(58) **Field of Classification Search** D6/331,
D6/390-391; 5/93.1, 99.1, 98.1, 101, 102
See application file for complete search history.

(56) **References Cited**

U.S. PATENT DOCUMENTS

D320,316 S *	10/1991	Arnold	D6/390
D365,932 S *	1/1996	Reynolds et al.	D6/331
D526,133 S *	8/2006	Song	D6/331
D605,870 S *	12/2009	Bergkvist et al.	D6/390
2005/0217026 A1 *	10/2005	Ramirez	5/93.1

* cited by examiner

Primary Examiner—Janice E Seeger

(74) *Attorney, Agent, or Firm*—Shlesinger, Arkwright & Garvey LLP

(57) **CLAIM**

The ornamental design for a child's bed, as shown and described.

DESCRIPTION

FIG. 1 is a top perspective view of a child's bed, showing my new design;

FIG. 2 is a bottom perspective view of my child's bed of FIG. 1;

FIG. 3 is a side view of my child's bed of FIG. 1, the opposite side view being the same;

FIG. 4 is an end view of my child's bed of FIG. 1, the opposite end view being the same;

FIG. 5 is a bottom view of my child's bed of FIG. 1;

FIG. 6 is a top perspective view of another embodiment of a child's bed, showing my new design;

FIG. 7 is a bottom perspective view of my child's bed of FIG. 6;

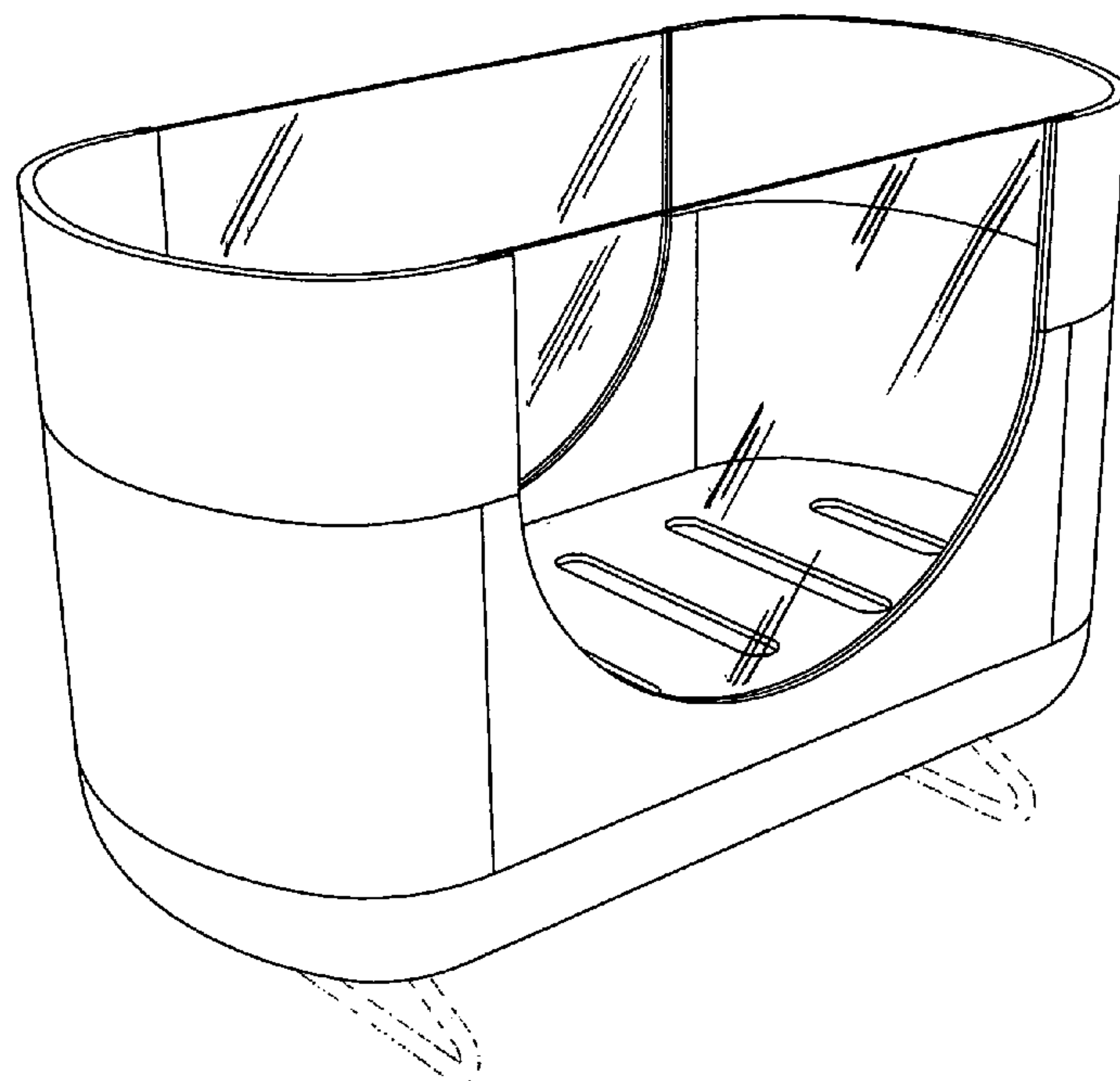
FIG. 8 is a side view of my child's bed of FIG. 6, the opposite side view being the same;

FIG. 9 is an end view of my child's bed of FIG. 6, the opposite end view being the same; and,

FIG. 10 is a bottom view of my child's bed of FIG. 6.

The broken line showing of the leg supports is for environmental purposes only and forms no part of the claimed design.

1 Claim, 10 Drawing Sheets



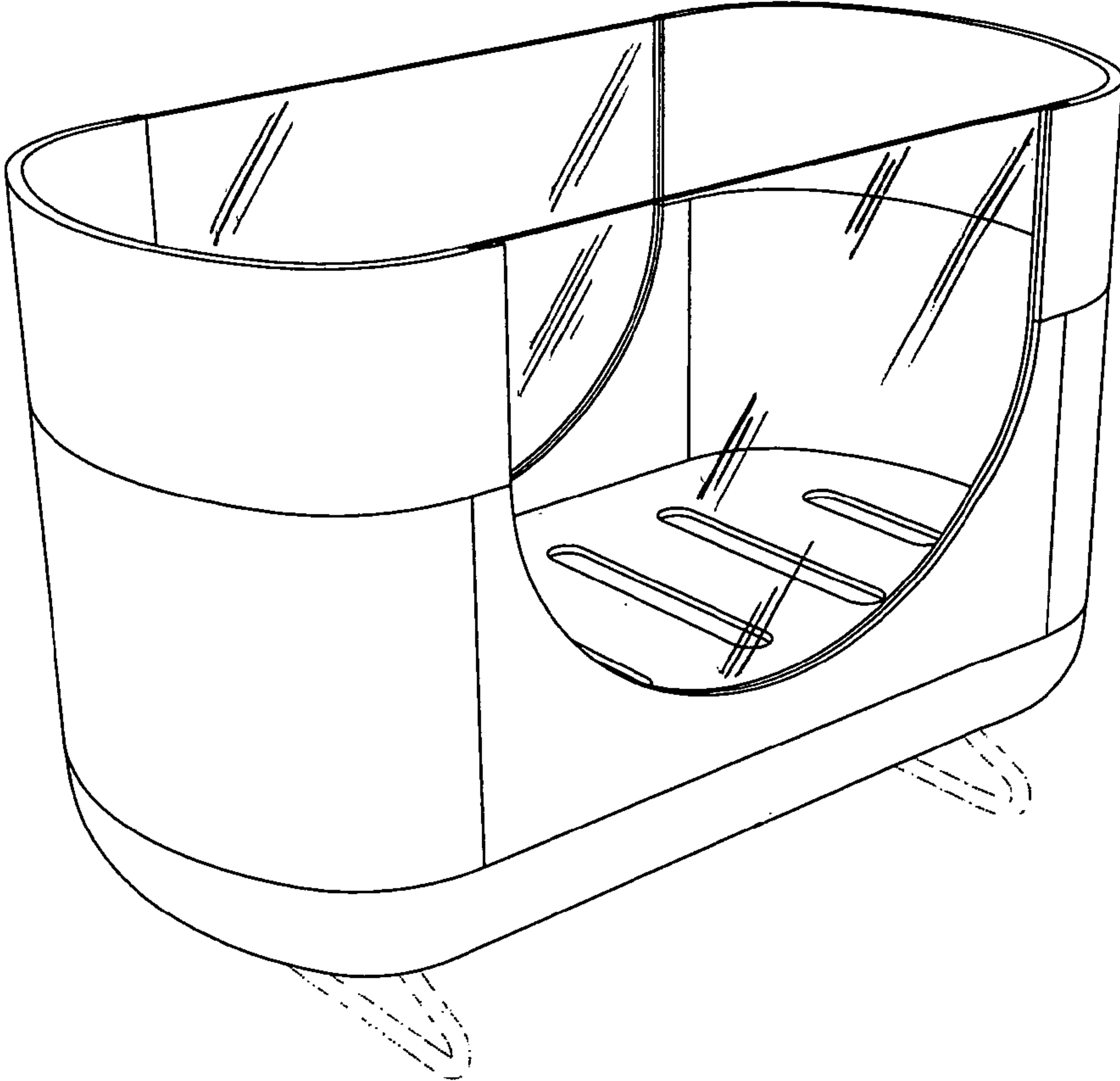


FIG. 1

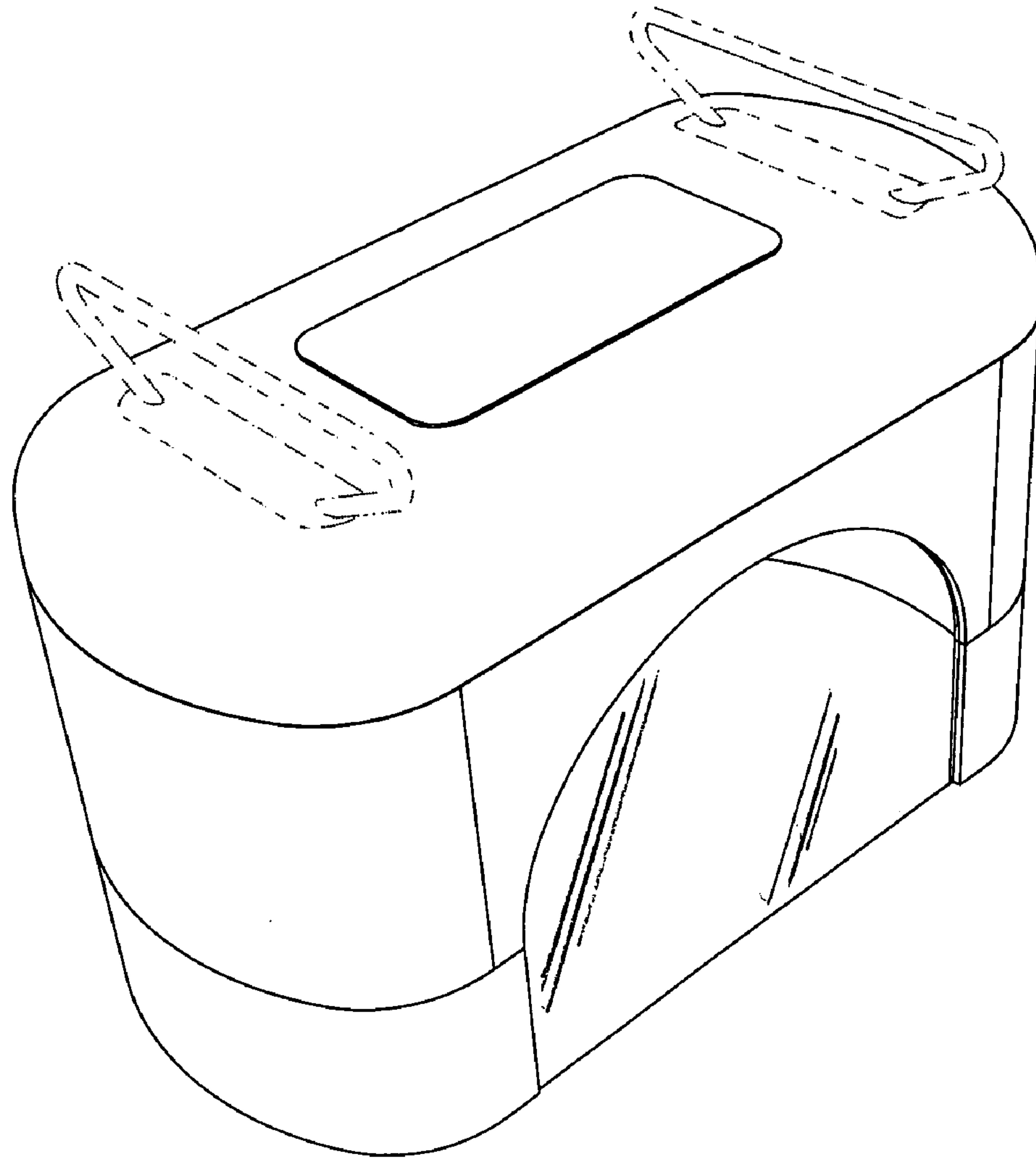


FIG. 2

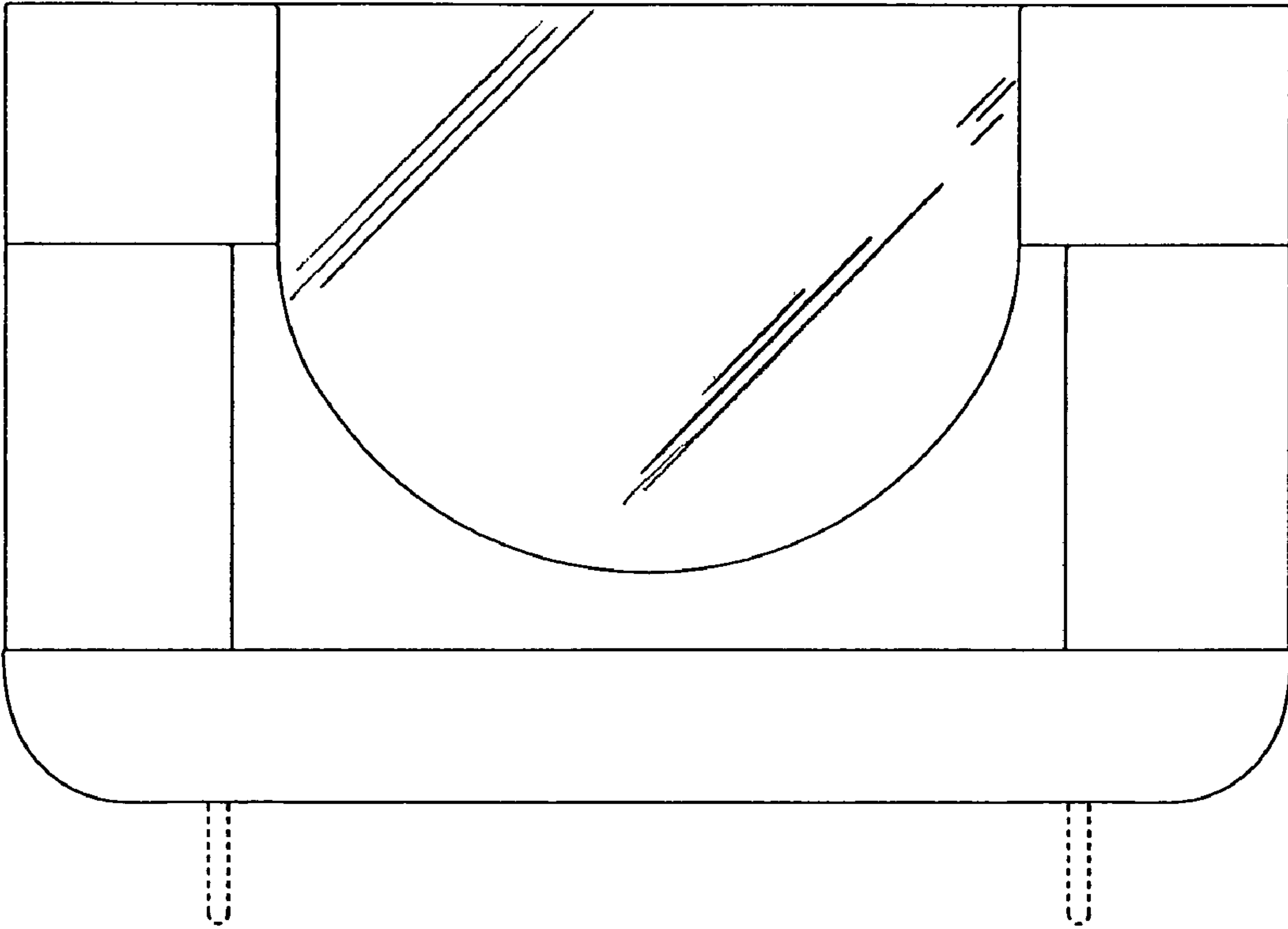


FIG. 3

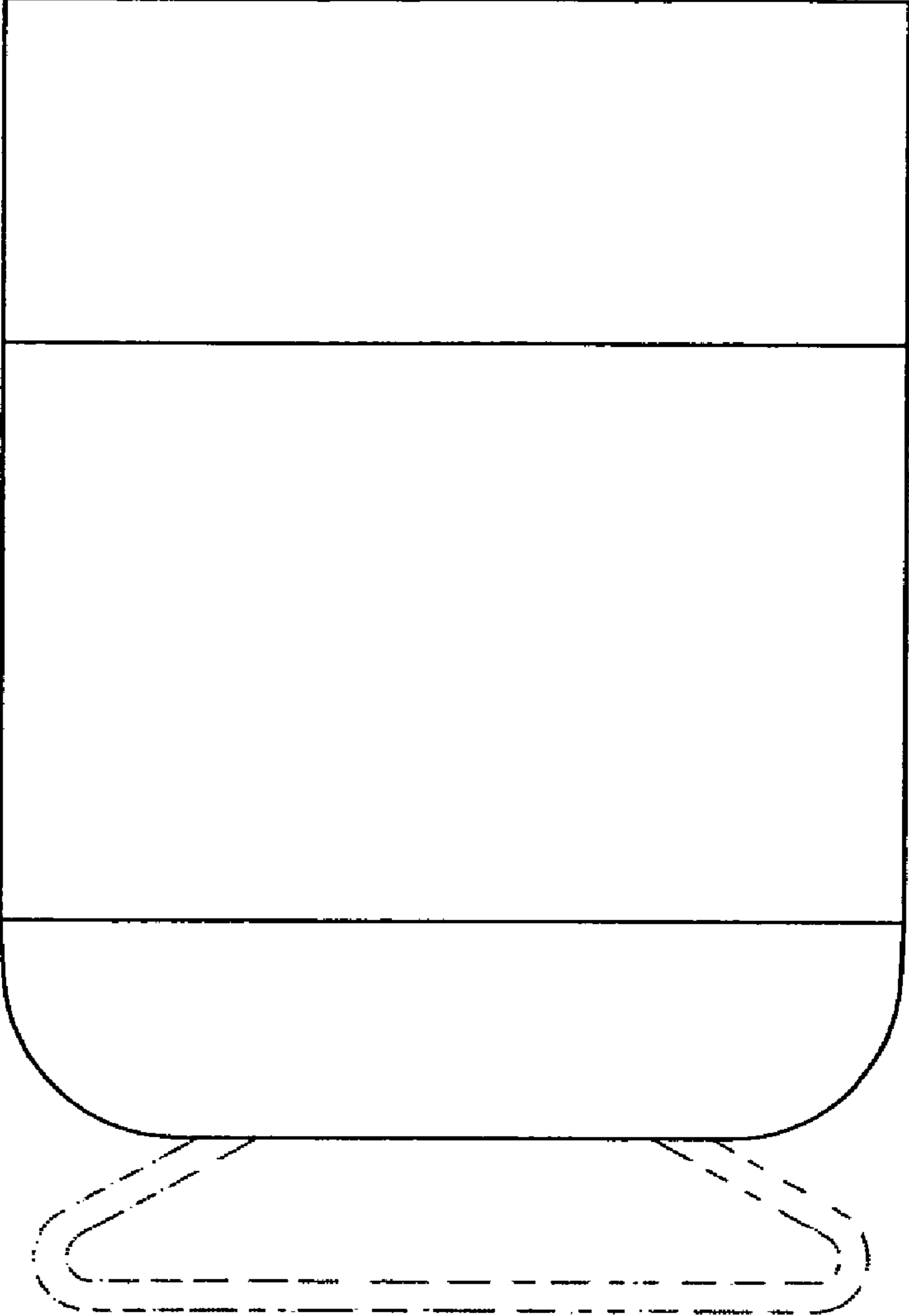


FIG. 4

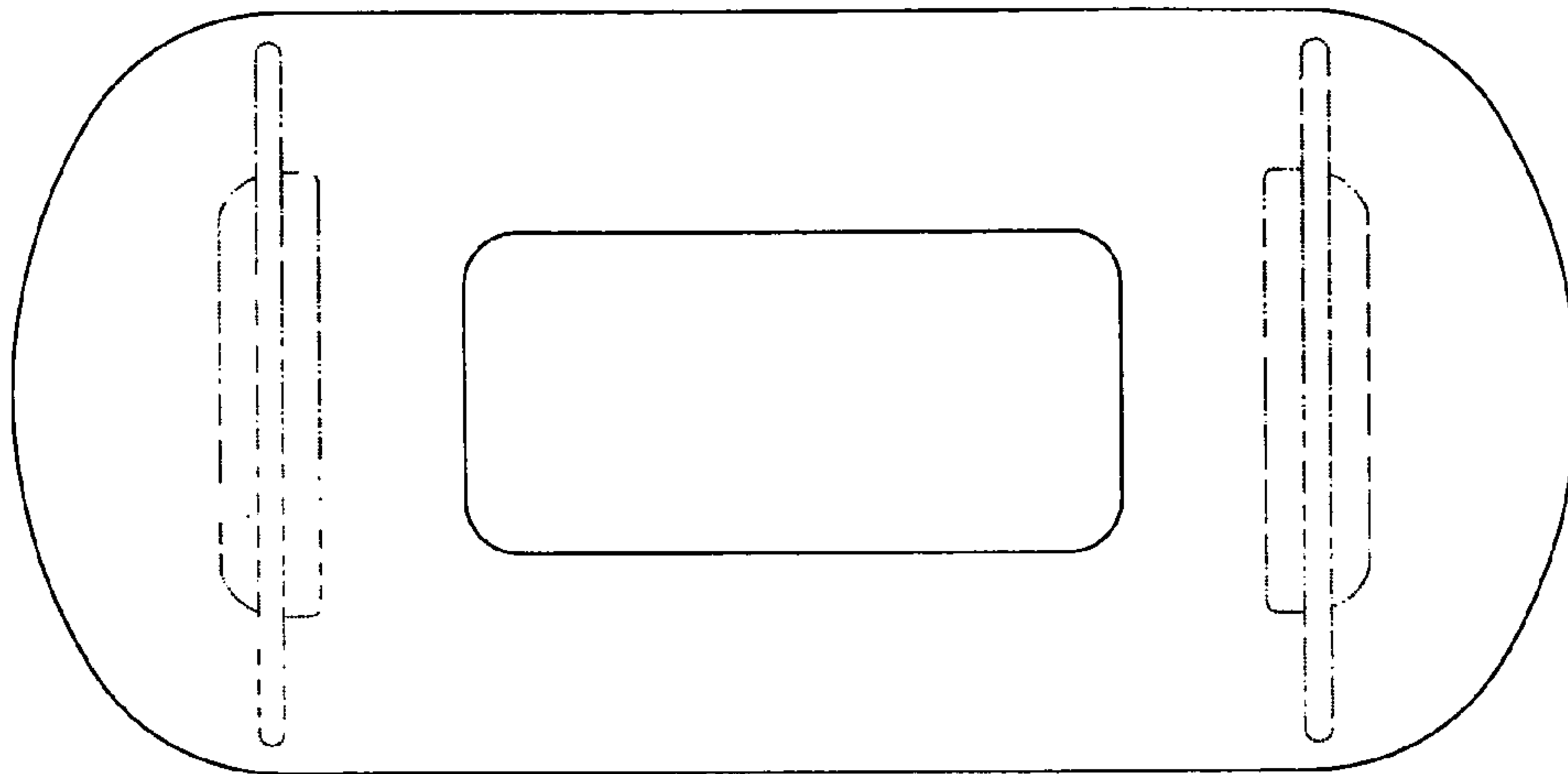


FIG. 5

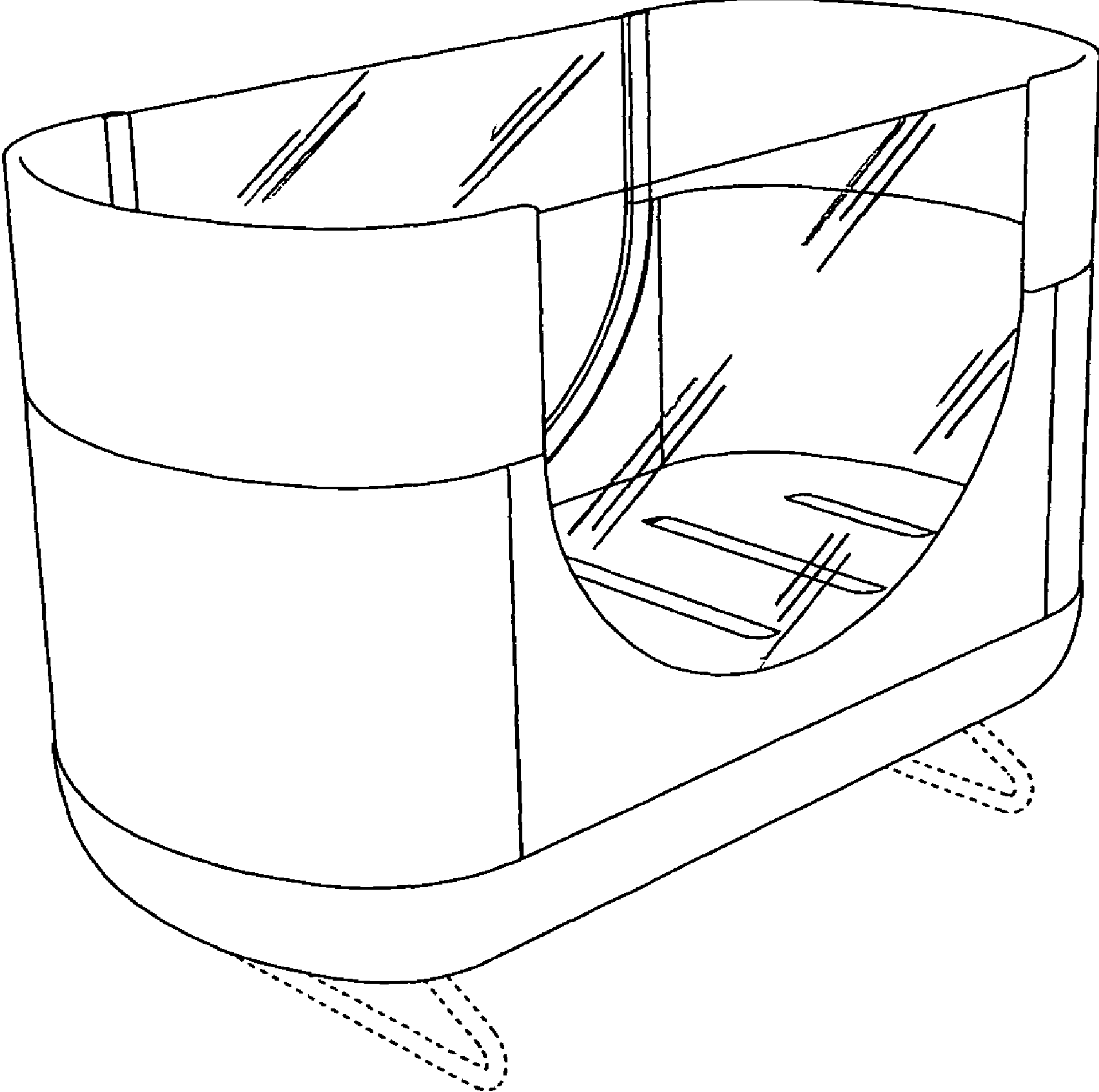


FIG. 6

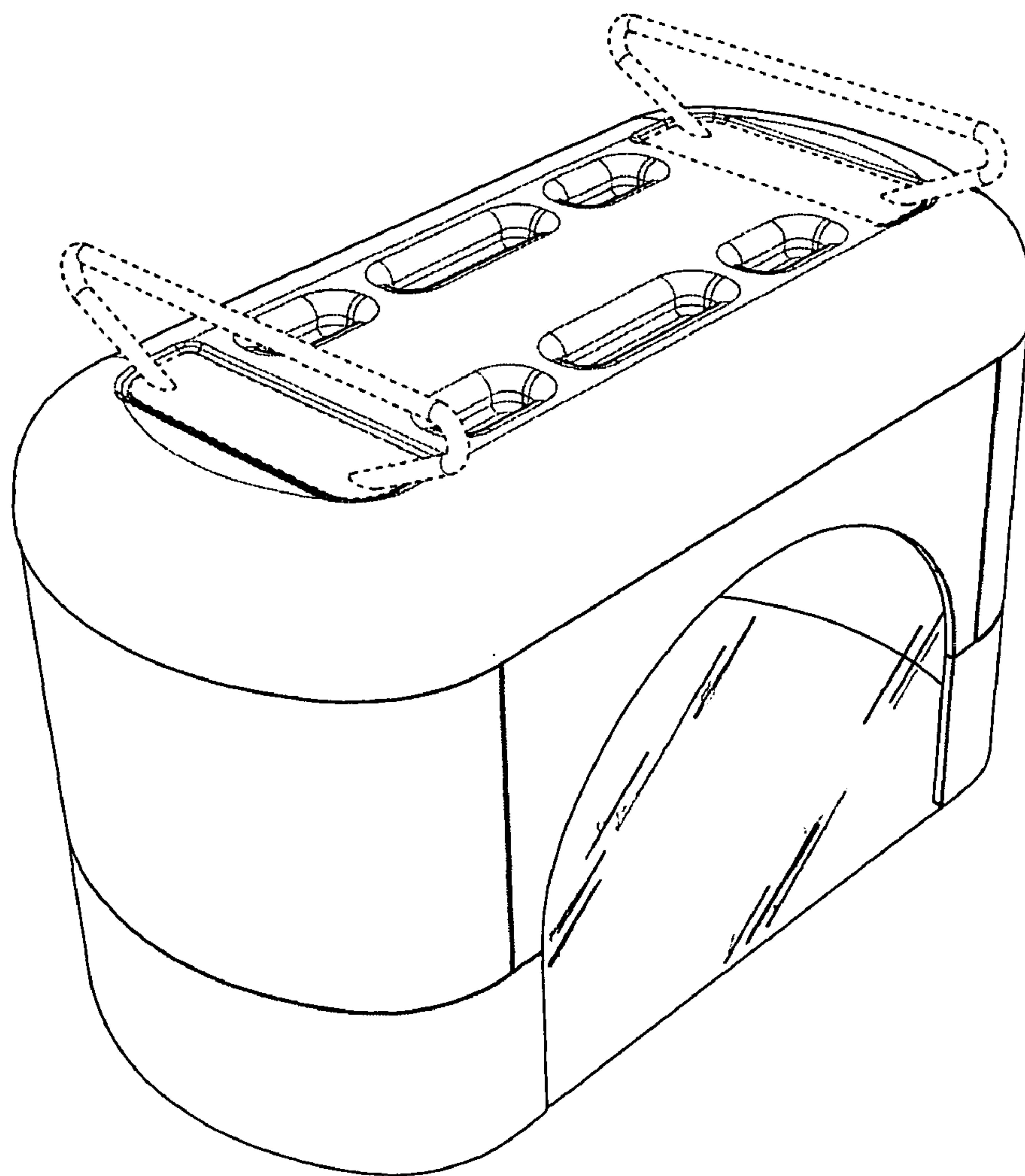


FIG. 7

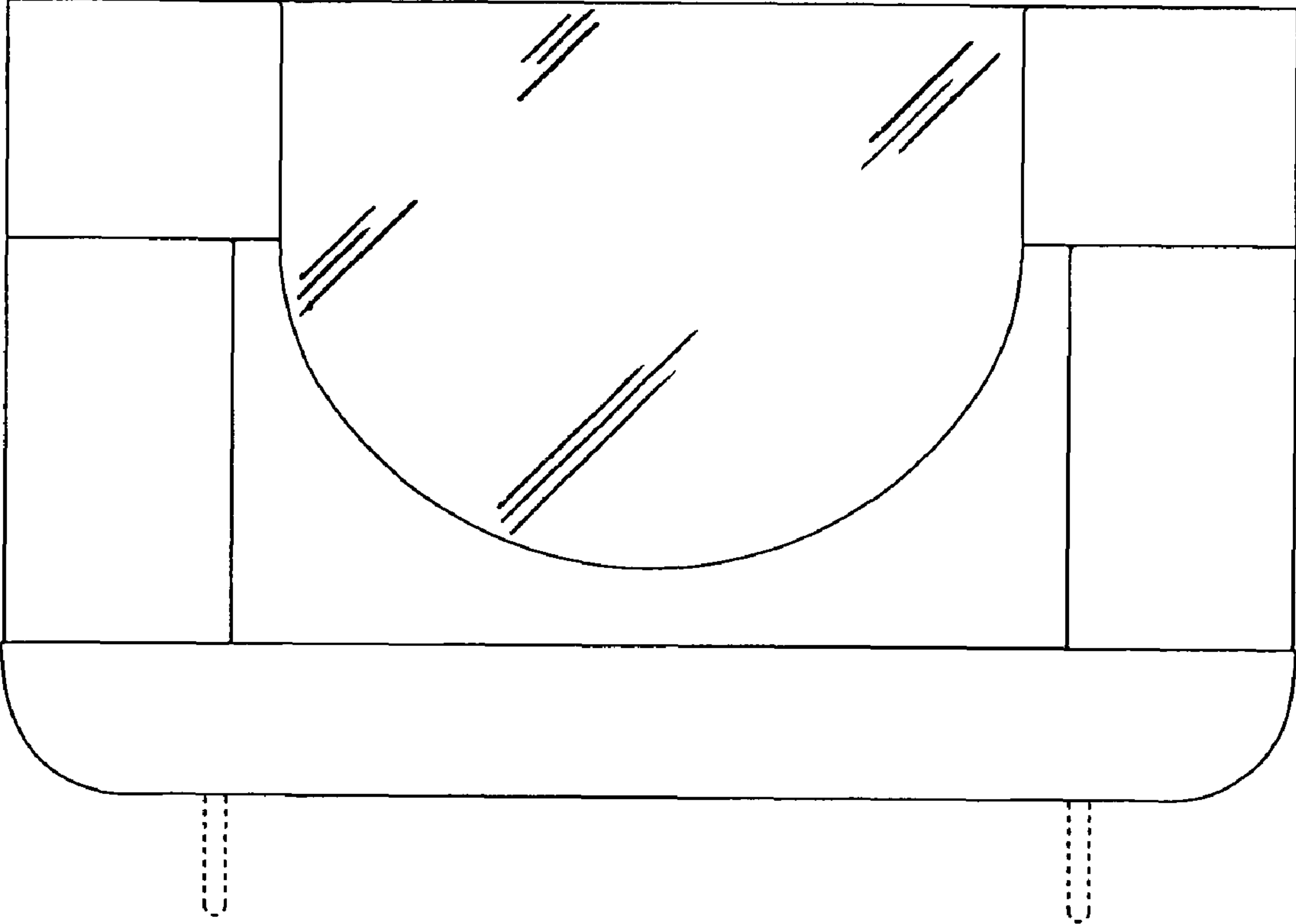


FIG. 8

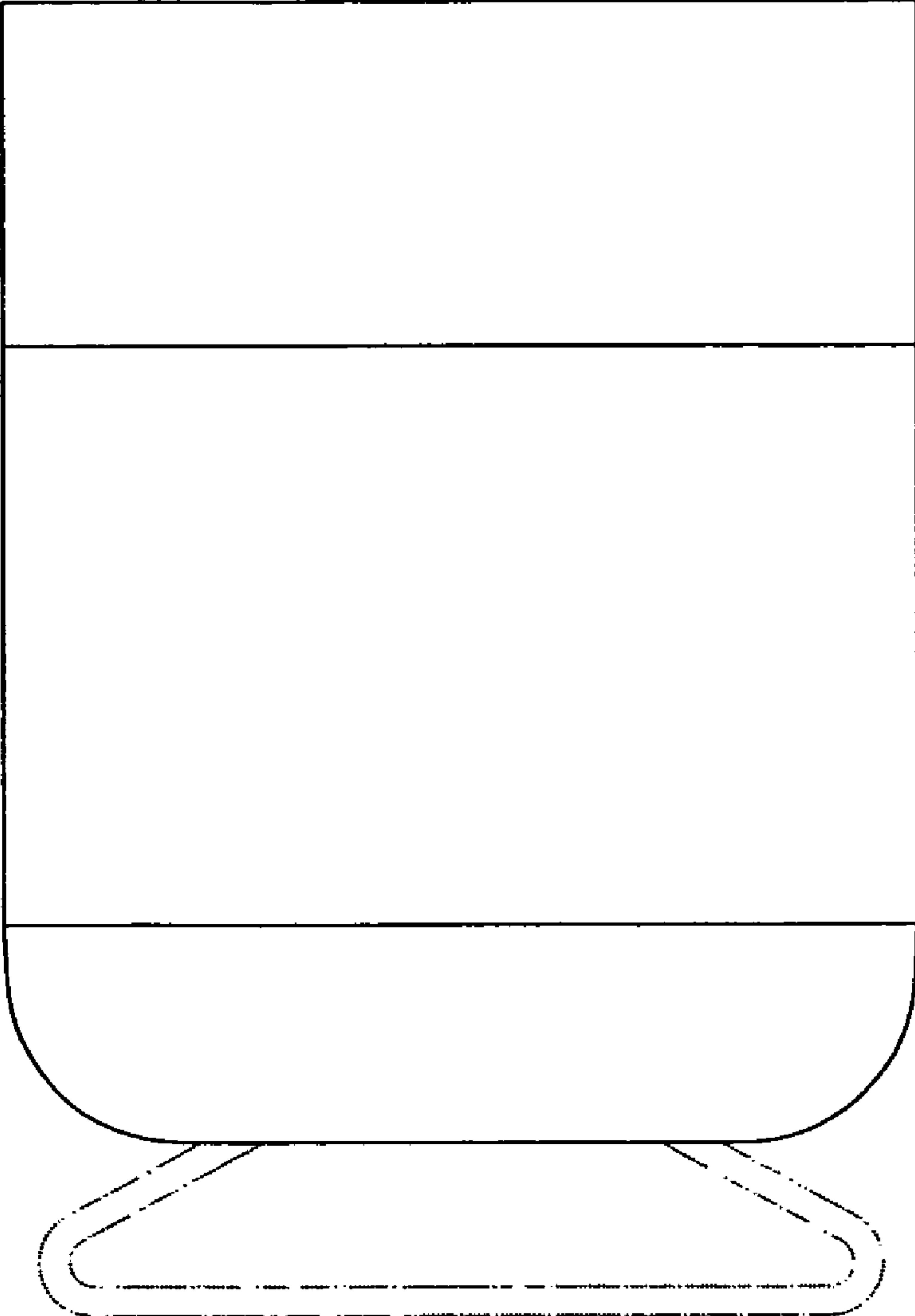


FIG. 9

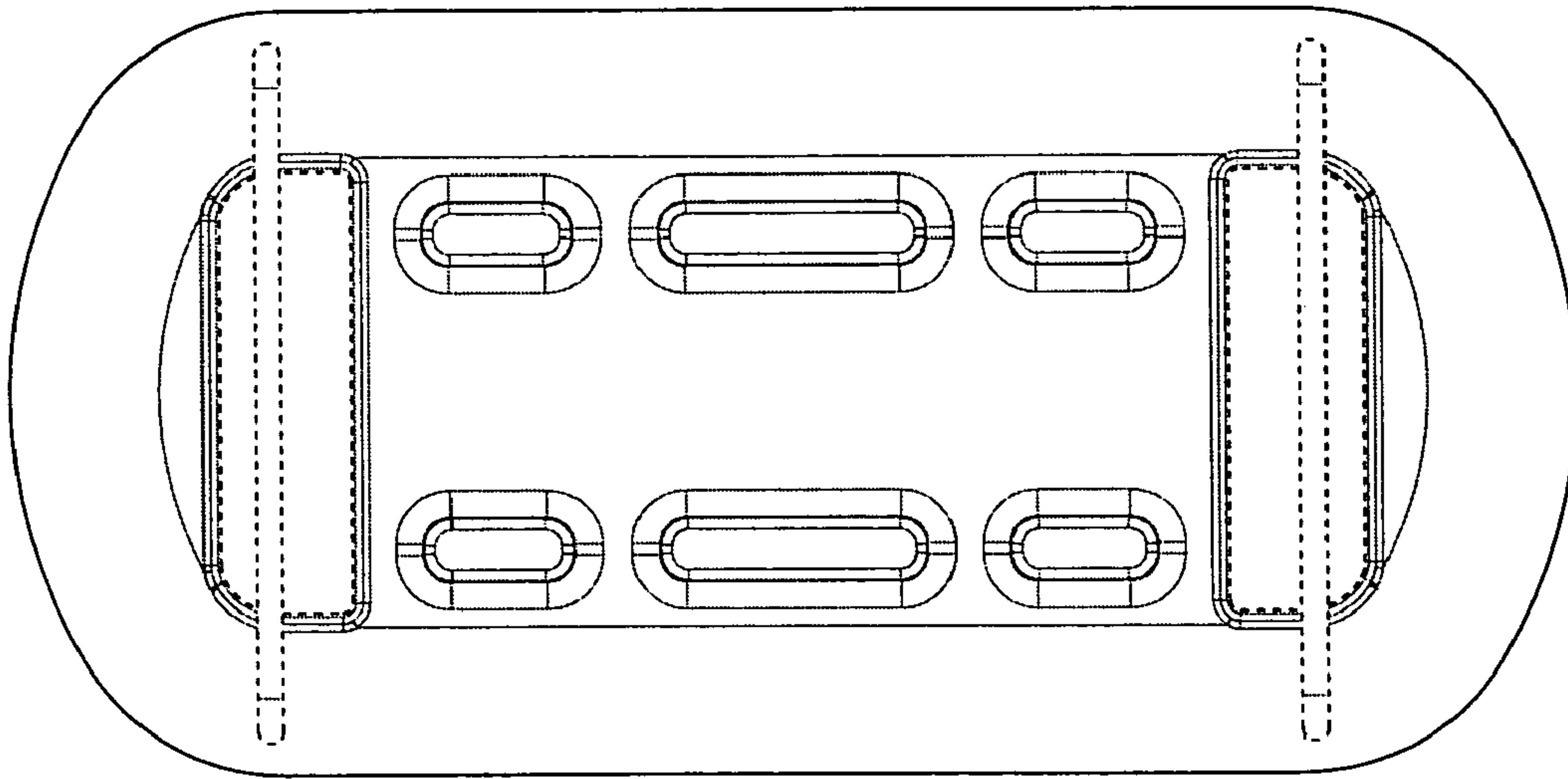


FIG. 10