



US00D616664S

(12) **United States Design Patent**
Natuzzi

(10) **Patent No.:** **US D616,664 S**
(45) **Date of Patent:** **** Jun. 1, 2010**

- (54) **SOFA**
- (75) Inventor: **Pasquale Natuzzi**, Bari (IT)
- (73) Assignee: **Natuzzi S.p.A.** (IT)
- (**) Term: **14 Years**
- (21) Appl. No.: **29/345,809**
- (22) Filed: **Oct. 22, 2009**
- (30) **Foreign Application Priority Data**
Apr. 22, 2009 (IT) BA2009O0007
- (51) **LOC (9) Cl.** **06-01**
- (52) **U.S. Cl.** **D6/381**
- (58) **Field of Classification Search** D6/334,
D6/369, 374, 491, 492, 495, 500-502; 297/63,
297/94, 232, 233, 248, 283.1, 283.2, 535,
297/354.1, 445.1, 446.1, 448.1; 5/12.1, 12.2
See application file for complete search history.

| | | | | |
|--------------|---------|----------|-------|--------|
| D466,715 S * | 12/2002 | Gibson | | D6/381 |
| D468,125 S * | 1/2003 | Gibson | | D6/381 |
| D470,677 S * | 2/2003 | Ricci | | D6/381 |
| D475,217 S * | 6/2003 | Ricci | | D6/381 |
| D499,265 S * | 12/2004 | Ricci | | D6/381 |
| D499,571 S * | 12/2004 | Mohundro | | D6/381 |
| D514,347 S | 2/2006 | Natuzzi | | |
| D520,772 S | 5/2006 | Natuzzi | | |
| D520,773 S | 5/2006 | Natuzzi | | |
| D521,764 S * | 5/2006 | Natuzzi | | D6/381 |
| D525,452 S * | 7/2006 | Natuzzi | | D6/381 |
| D525,454 S * | 7/2006 | Natuzzi | | D6/381 |
| D527,197 S * | 8/2006 | Natuzzi | | D6/381 |
| D527,542 S * | 9/2006 | Natuzzi | | D6/381 |
| D540,561 S * | 4/2007 | Lewis | | D6/381 |
| D541,072 S * | 4/2007 | Natuzzi | | D6/381 |
| D541,073 S * | 4/2007 | Natuzzi | | D6/381 |
| D544,247 S * | 6/2007 | Natuzzi | | D6/381 |
| D569,113 S * | 5/2008 | Lewis | | D6/334 |
| D577,221 S | 9/2008 | Natuzzi | | |
| D587,479 S * | 3/2009 | Thompson | | D6/381 |
| D592,878 S | 5/2009 | Natuzzi | | |
| D597,760 S | 8/2009 | Natuzzi | | |

* cited by examiner

Primary Examiner—Sandra Snapp
(74) *Attorney, Agent, or Firm*—St. Onge Steward Johnston & Reens LLC

(56) **References Cited**
U.S. PATENT DOCUMENTS

| | | | | |
|--------------|---------|----------------|-------|--------|
| D364,752 S * | 12/1995 | Hutton | | D6/381 |
| D368,598 S * | 4/1996 | Natuzzi et al. | | D6/381 |
| D381,528 S * | 7/1997 | Natuzzi et al. | | D6/381 |
| D382,723 S * | 8/1997 | Natuzzi et al. | | D6/381 |
| D384,215 S * | 9/1997 | Chandler | | D6/381 |
| D388,631 S | 1/1998 | Natuzzi | | |
| D393,377 S * | 4/1998 | Nicoletti | | D6/381 |
| D399,362 S | 10/1998 | Natuzzi | | |
| D415,628 S * | 10/1999 | Lewis | | D6/381 |
| D431,924 S * | 10/2000 | Natuzzi et al. | | D6/381 |
| D434,244 S * | 11/2000 | Natuzzi et al. | | D6/381 |
| D440,056 S * | 4/2001 | Natuzzi et al. | | D6/334 |
| D444,310 S * | 7/2001 | Lee | | D6/381 |
| D445,266 S * | 7/2001 | Leon et al. | | D6/334 |
| D452,385 S * | 12/2001 | Denton | | D6/334 |
| D461,651 S * | 8/2002 | Denton | | D6/381 |
| D466,323 S * | 12/2002 | Gibson | | D6/381 |

(57) **CLAIM**

The ornamental design for a sofa, as shown and described.

DESCRIPTION

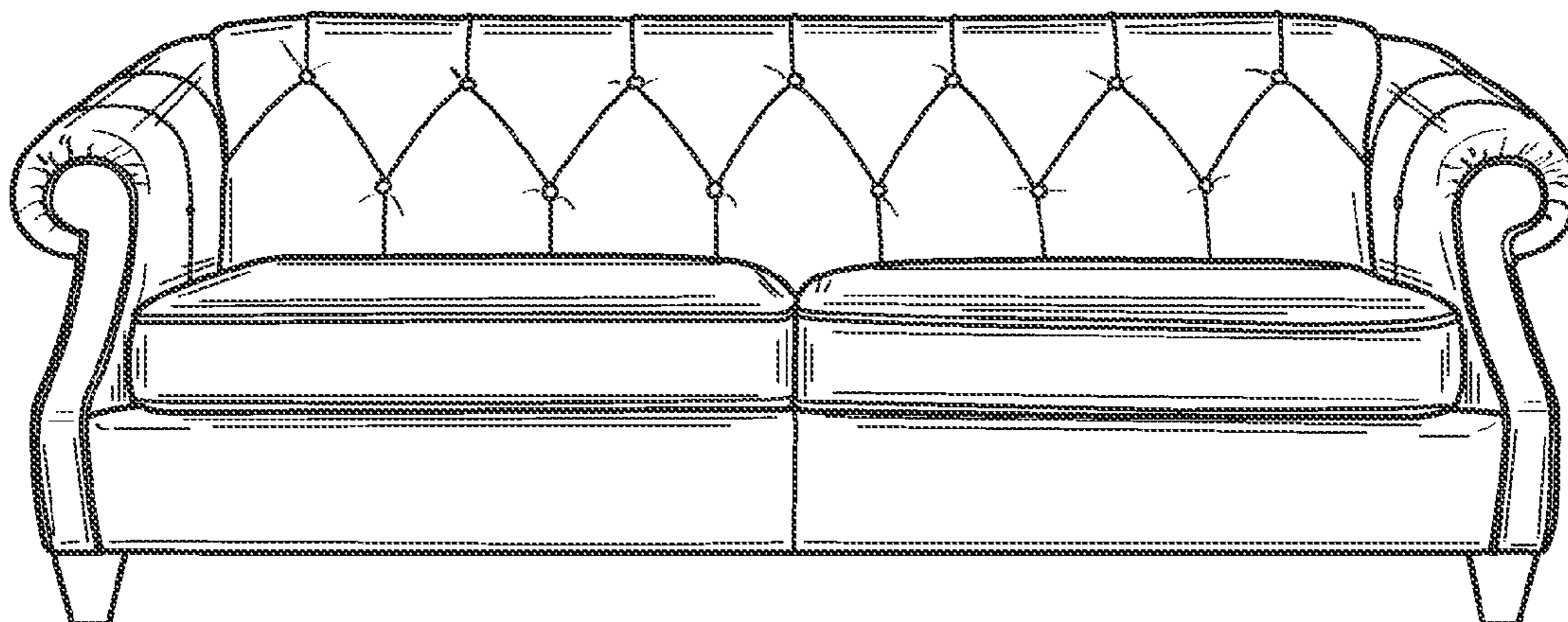
FIG. 1 is a front elevation view of a sofa in accordance with the new design;

FIG. 2 is a top plan view thereof;

FIG. 3 is a side elevation view thereof, an opposite side elevation view being a mirror image thereof; and,

FIG. 4 is a back elevation view thereof.

1 Claim, 2 Drawing Sheets



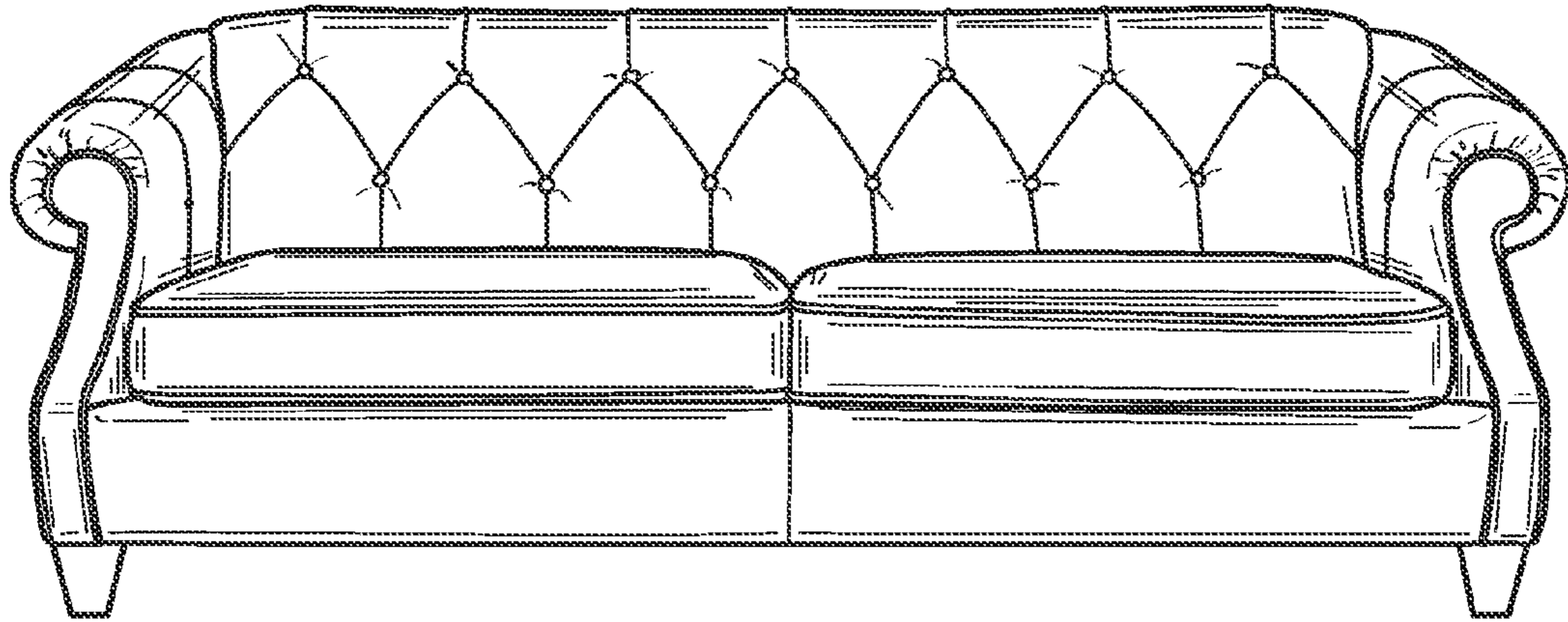


FIG. 1

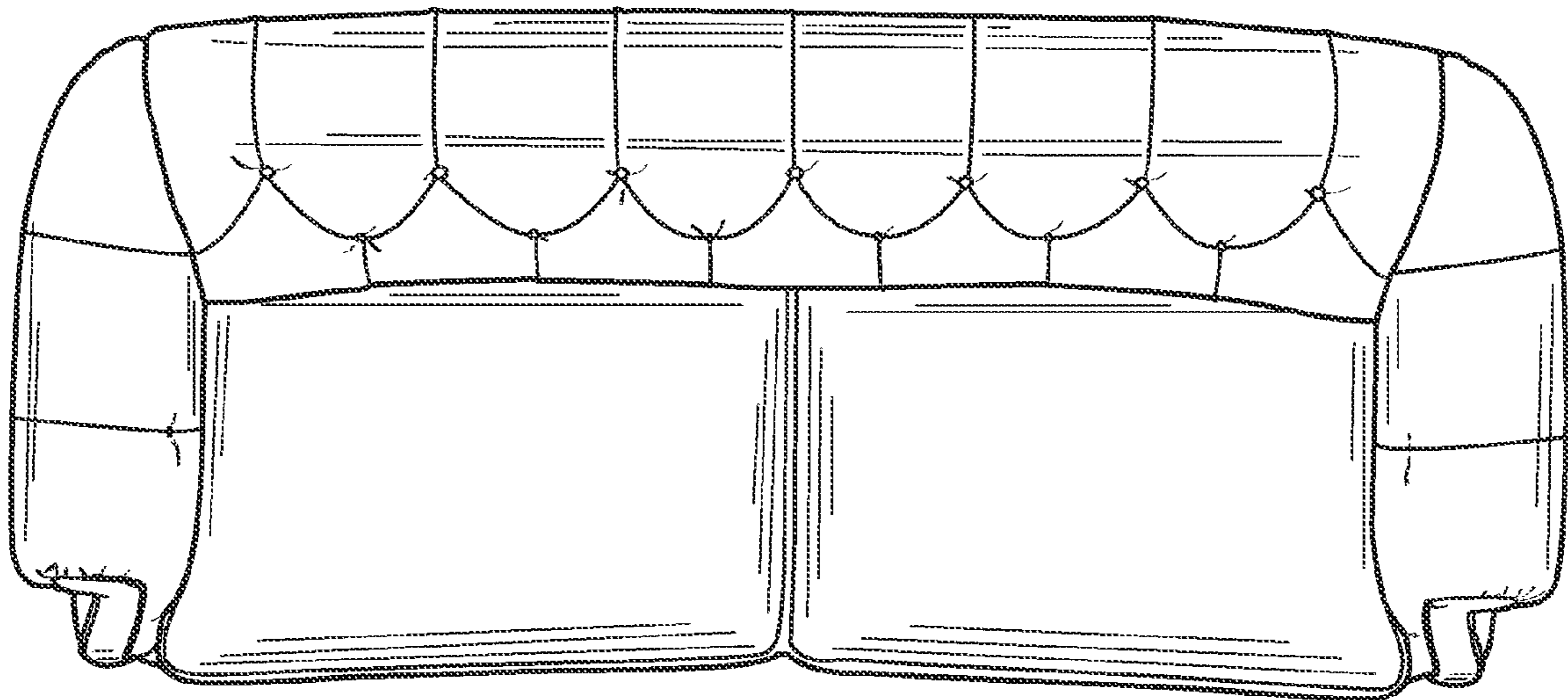


FIG. 2

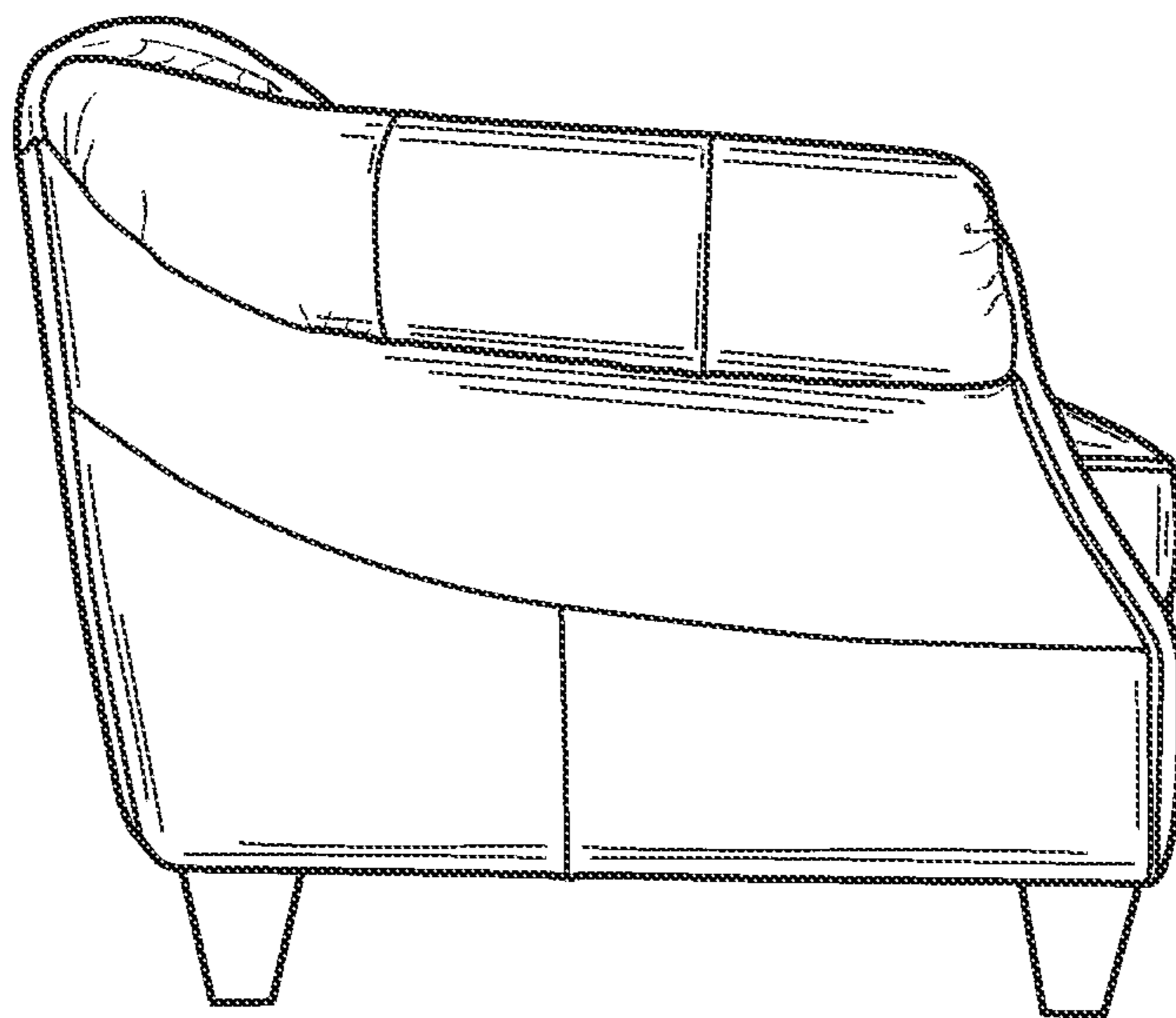


FIG. 3

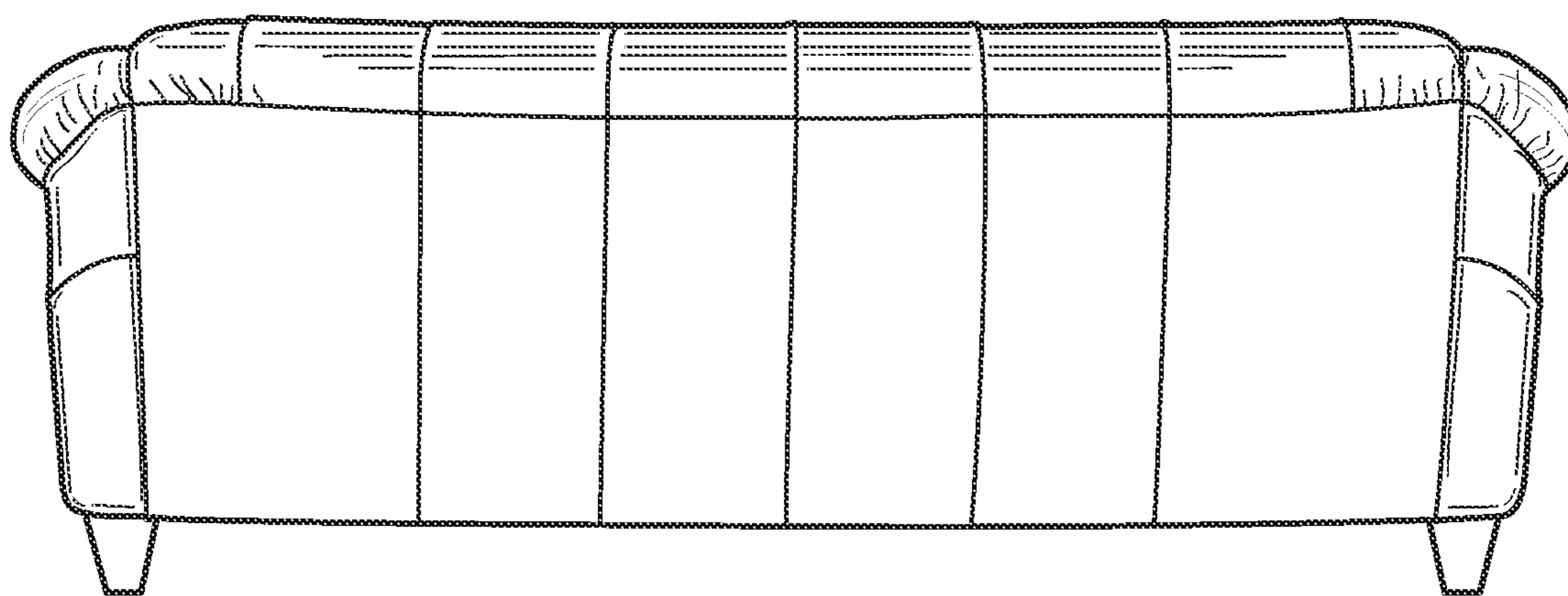


FIG. 4