



US00D616656S

(12) **United States Design Patent**  
**Denton**

(10) **Patent No.:** **US D616,656 S**  
(45) **Date of Patent:** **\*\* Jun. 1, 2010**

(54) **RECLINER**

D534,734 S \* 1/2007 Bennett ..... D6/367  
D541,064 S \* 4/2007 Miller et al. .... D6/367

(75) Inventor: **Robert Boyce Denton**, Asheville, NC  
(US)

(73) Assignee: **Lane Furniture Industries, Inc.**,  
Tupelo, MS (US)

(\*\*) Term: **14 Years**

(21) Appl. No.: **29/348,045**

(22) Filed: **Nov. 20, 2009**

(51) **LOC (9) Cl.** ..... **06-01**

(52) **U.S. Cl.** ..... **D6/367**

(58) **Field of Classification Search** ..... D6/334-336,  
D6/360, 361, 367, 368, 371, 373, 381, 492,  
D6/500-502; 297/68, 85 R, 88, 89, 232,  
297/354.1, 423.1, DIG. 7

See application file for complete search history.

(56) **References Cited**

**U.S. PATENT DOCUMENTS**

D173,625 S \* 12/1954 Maurer ..... D6/360  
D173,706 S \* 12/1954 Maurer ..... D6/360  
4,570,996 A \* 2/1986 Rogers, Jr. .... 297/85 R  
D423,236 S \* 4/2000 Palumbo ..... D6/334  
D440,056 S \* 4/2001 Natuzzi et al. .... D6/334  
D440,414 S \* 4/2001 Natuzzi et al. .... D6/334  
D441,979 S \* 5/2001 Watson ..... D6/381  
D456,621 S \* 5/2002 Antunes et al. .... D6/367  
D480,882 S \* 10/2003 Ricci ..... D6/334  
D489,187 S \* 5/2004 Natuzzi ..... D6/334

**OTHER PUBLICATIONS**

U.S. Appl. No. 29/348,049, filed Nov. 20, 2009, Denton, Robert Boyce.

\* cited by examiner

*Primary Examiner*—Mimosa De

(74) *Attorney, Agent, or Firm*—Kilpatrick, Stockton, LLP

(57) **CLAIM**

The ornamental design for a recliner, as shown and described.

**DESCRIPTION**

FIG. 1 is a perspective view of a recliner, showing my new design.

FIG. 2 is a front elevation view of the recliner of FIG. 1.

FIG. 3 is a right side elevation view of the recliner of FIG. 1, the left side elevation view being a mirror image of the right side elevation view.

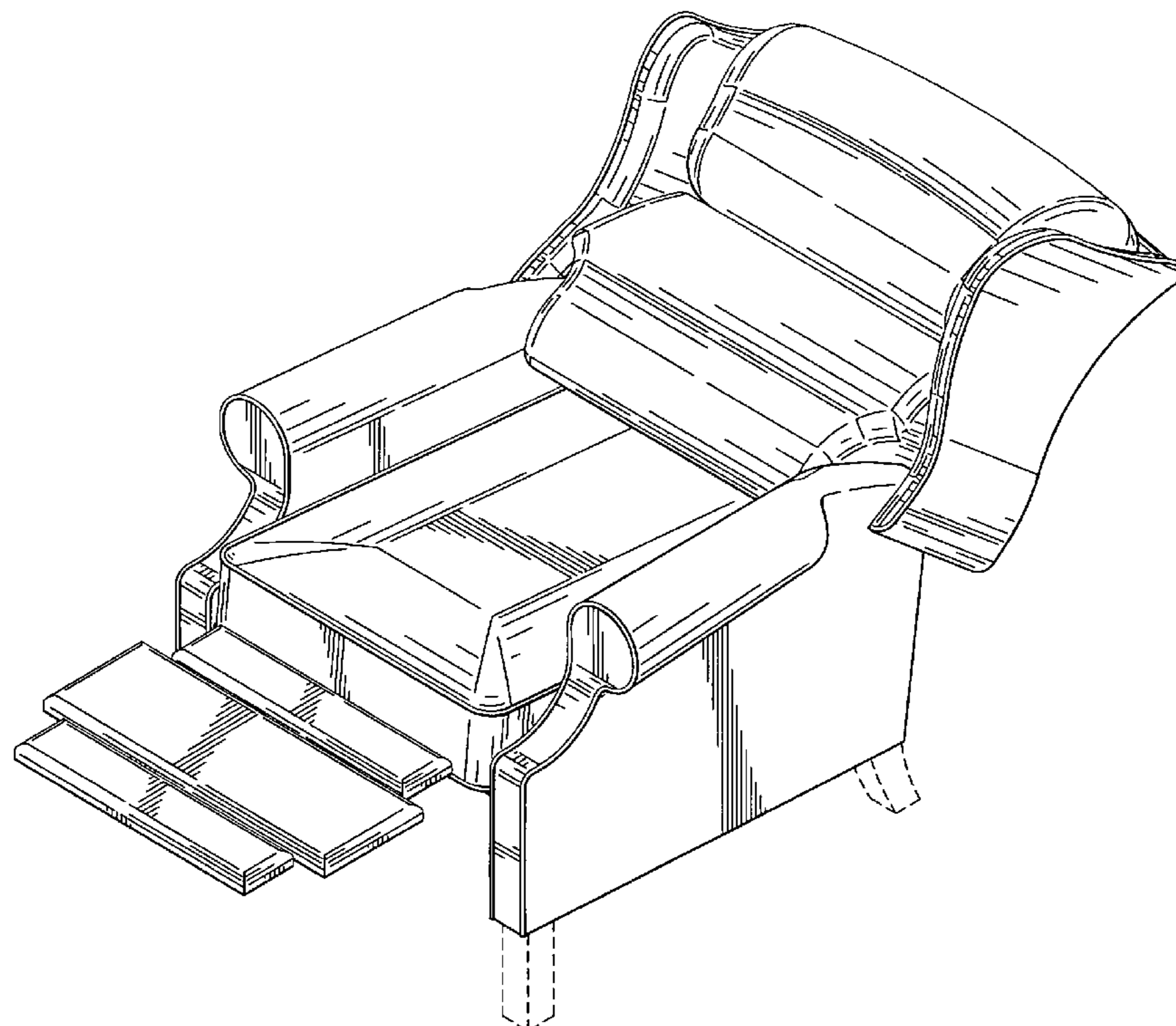
FIG. 4 is a top view of the recliner of FIG. 1.

FIG. 5 is another perspective view of the recliner of FIG. 1, shown in a reclined position; and,

FIG. 6 is another front view of the recliner of FIG. 1, showing in broken lines two persons sitting in the recliner, generally indicating the size and proportions of the recliner.

In the drawings, the broken lines form no part of the claimed design.

**1 Claim, 5 Drawing Sheets**



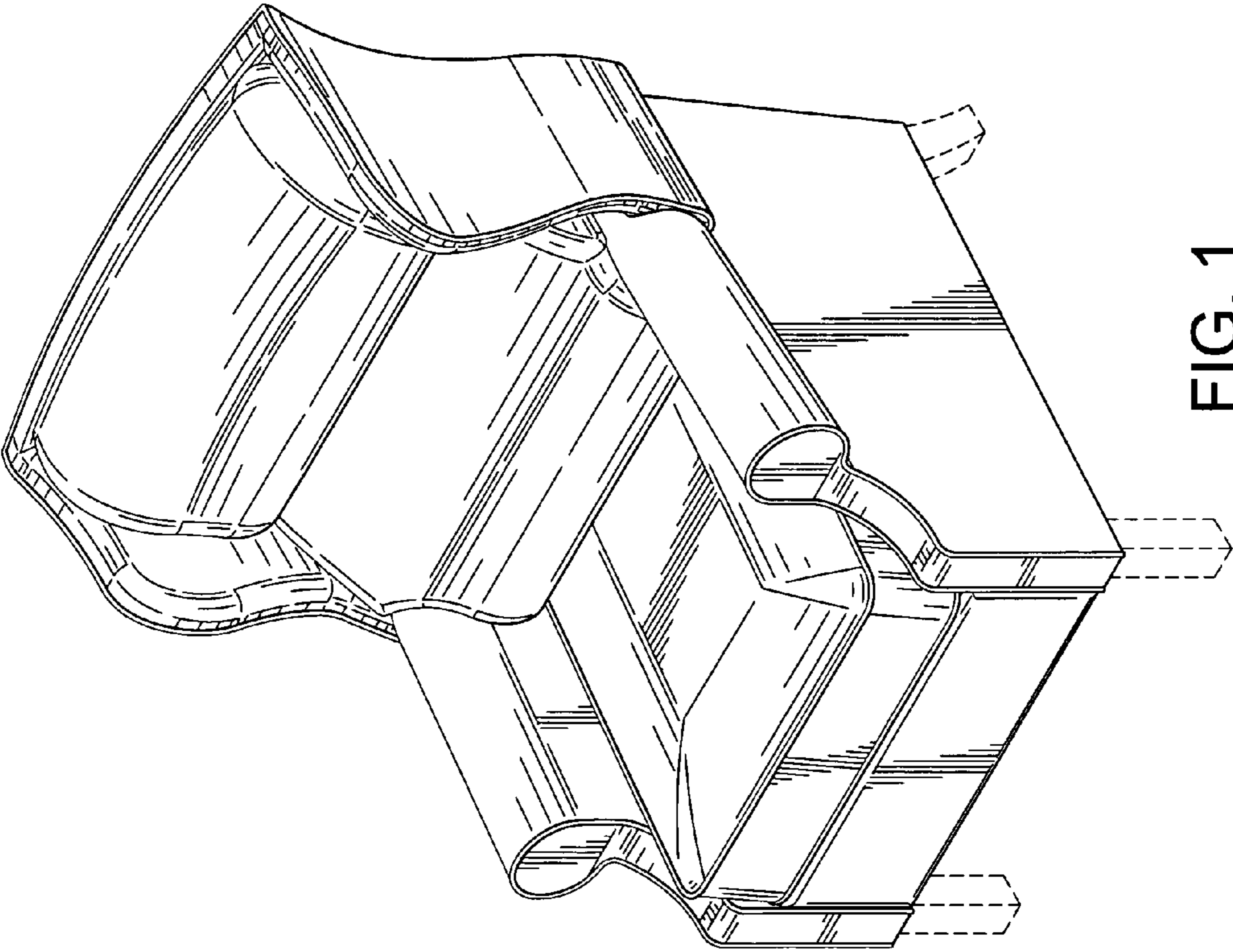


FIG. 1

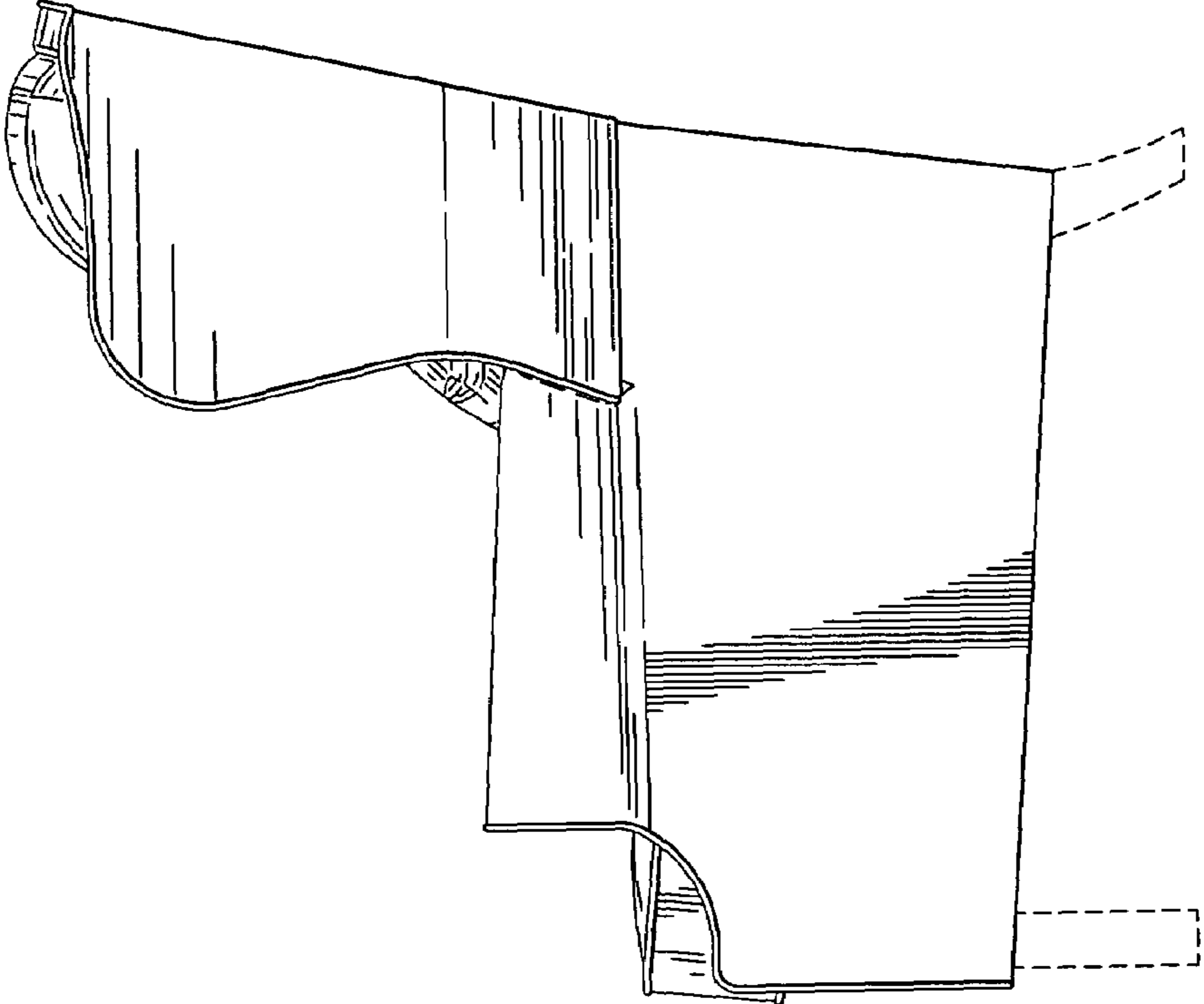


FIG. 3

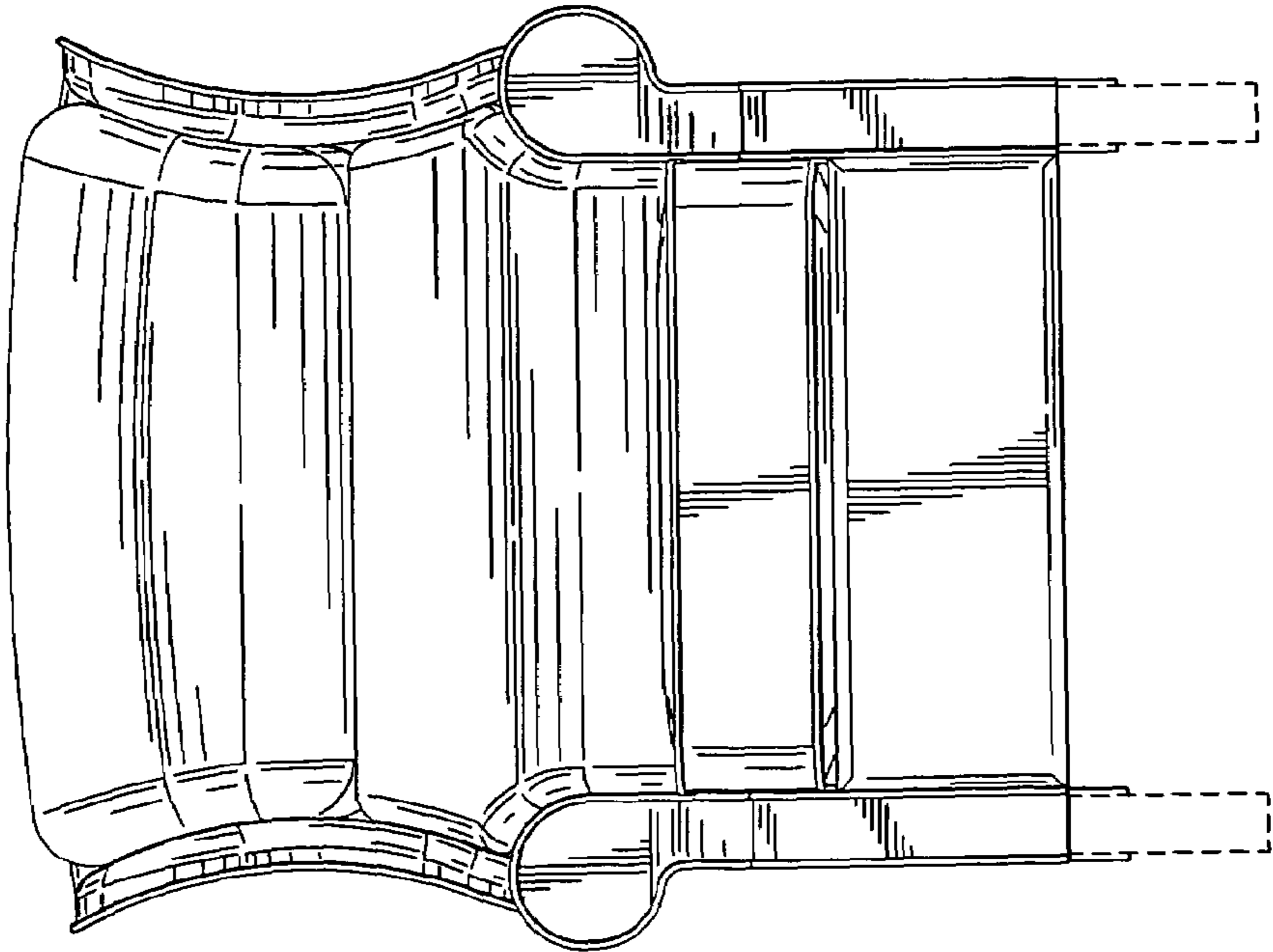


FIG. 2

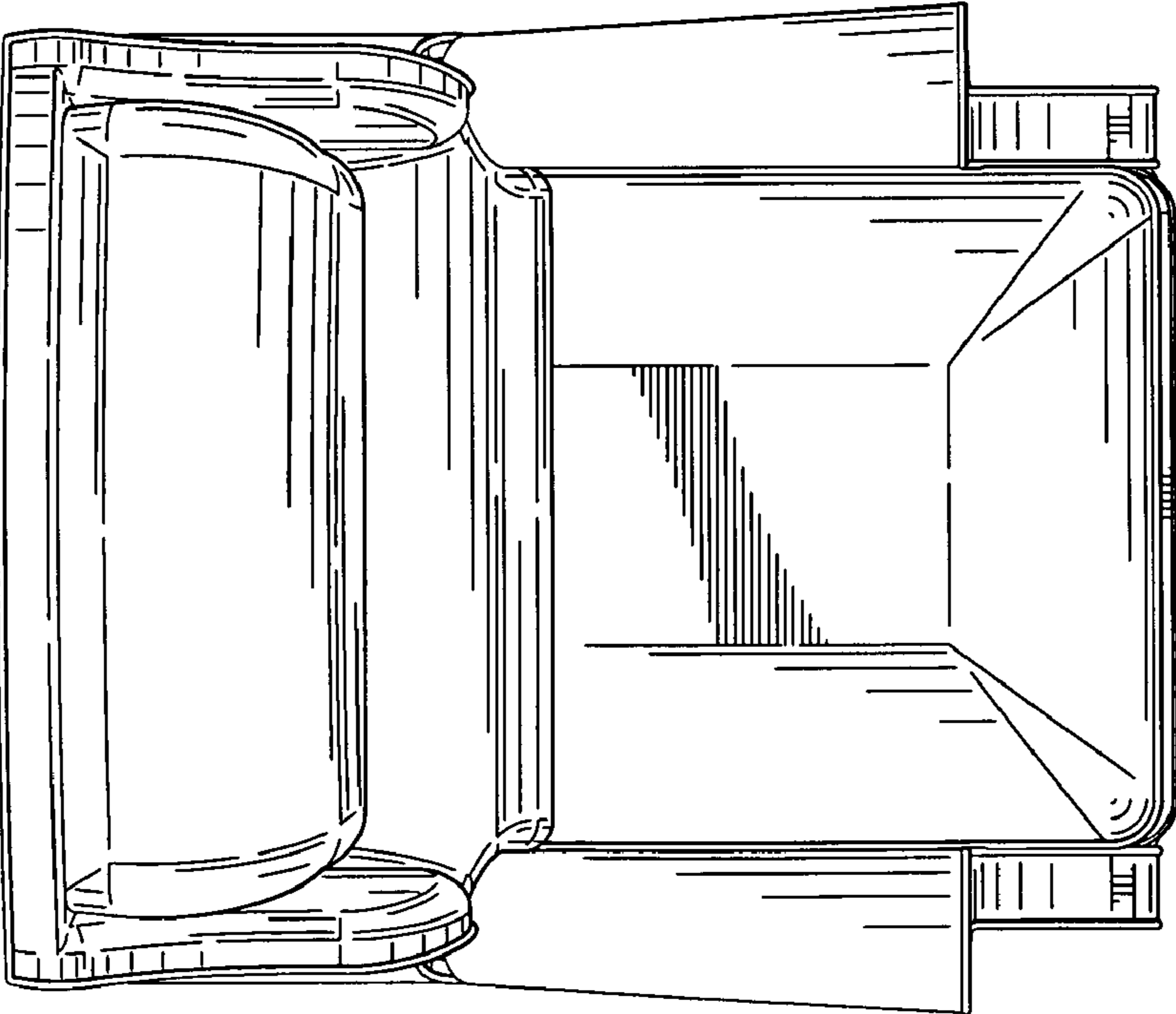


FIG. 4

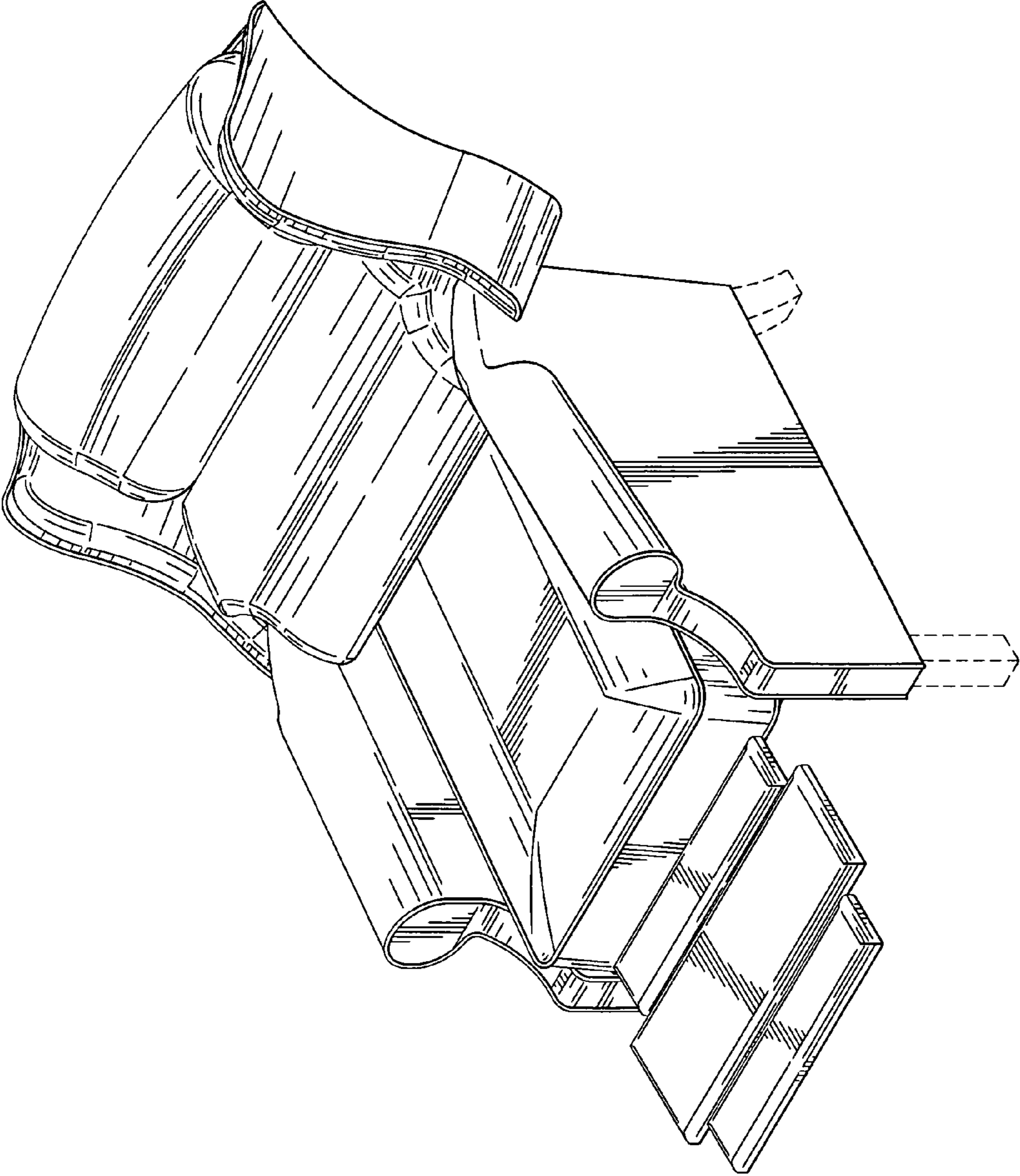


FIG. 5

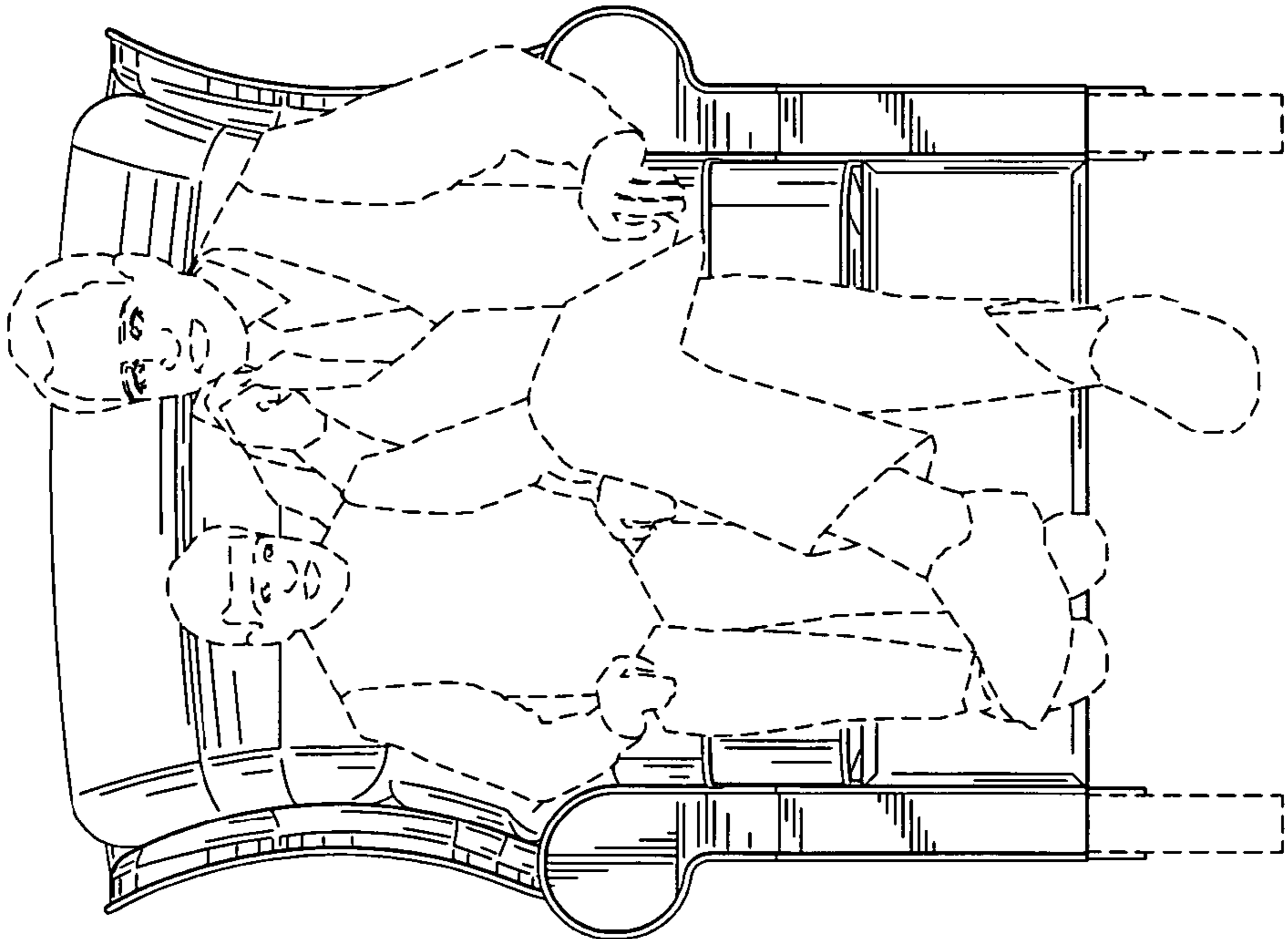


FIG. 6