



US00D616654S

(12) **United States Design Patent**
Igarashi

(10) **Patent No.:** **US D616,654 S**
(45) **Date of Patent:** **** Jun. 1, 2010**

(54) **CHAIR**

(75) Inventor: **Ryou Igarashi, Yokohama (JP)**

(73) Assignee: **Okamura Corporation, Kanagawa (JP)**

(**) Term: **14 Years**

(21) Appl. No.: **29/344,485**

(22) Filed: **Sep. 30, 2009**

(30) **Foreign Application Priority Data**

Mar. 31, 2009 (JP) 2009-007305

(51) **LOC (9) Cl.** **06-01**

(52) **U.S. Cl.** **D6/365**

(58) **Field of Classification Search** D6/334-336,
D6/364, 365, 366, 367, 369, 374, 379, 498,
D6/500-502; 297/300.1, 300.3, 325, 341,
297/342, 411.28, 452.13, 452.21, 452.29,
297/452.35

See application file for complete search history.

(56) **References Cited**

U.S. PATENT DOCUMENTS

- D191,705 S * 11/1961 Galloway D6/365
- 4,560,199 A * 12/1985 Sapper 297/300.1
- 4,763,950 A * 8/1988 Tobler 297/300.3
- 4,804,227 A * 2/1989 Hansen 297/300.1
- D488,313 S * 4/2004 Seiler D6/366
- D505,799 S * 6/2005 Huang D6/366
- 6,957,863 B2 * 10/2005 Heidmann et al. 297/300.1
- D523,252 S * 6/2006 Rodriguez Leitao D6/366

- D528,810 S * 9/2006 Giugiaro D6/366
- D542,574 S * 5/2007 Johnson D6/500
- D543,039 S * 5/2007 Hara D6/366
- D543,040 S * 5/2007 Hara D6/366
- D543,042 S * 5/2007 Hara D6/366
- D576,813 S * 9/2008 Baldanzi et al. D6/366
- D605,865 S 12/2009 Igarashi
- D605,866 S * 12/2009 Igarashi D6/365
- 2005/0029848 A1 * 2/2005 Heidmann et al. 297/300.1

* cited by examiner

Primary Examiner—Mimosa De

(74) *Attorney, Agent, or Firm*—Sughrue Mion, PLLC

(57) **CLAIM**

The ornamental design for a chair, as shown and described.

DESCRIPTION

FIG. 1 is a perspective view from the front side of a chair.

FIG. 2 is a perspective view from the rear side thereof.

FIG. 3 is a front elevation view thereof.

FIG. 4 is a right side elevation view thereof. A left side elevation view is omitted because it is a mirror image to the right side elevation view.

FIG. 5 is a top plan view thereof.

FIG. 6 is a rear elevation view thereof.

FIG. 7 is a bottom plan view thereof; and,

FIG. 8 is a right side elevation view thereof when the seat is reclined.

1 Claim, 8 Drawing Sheets

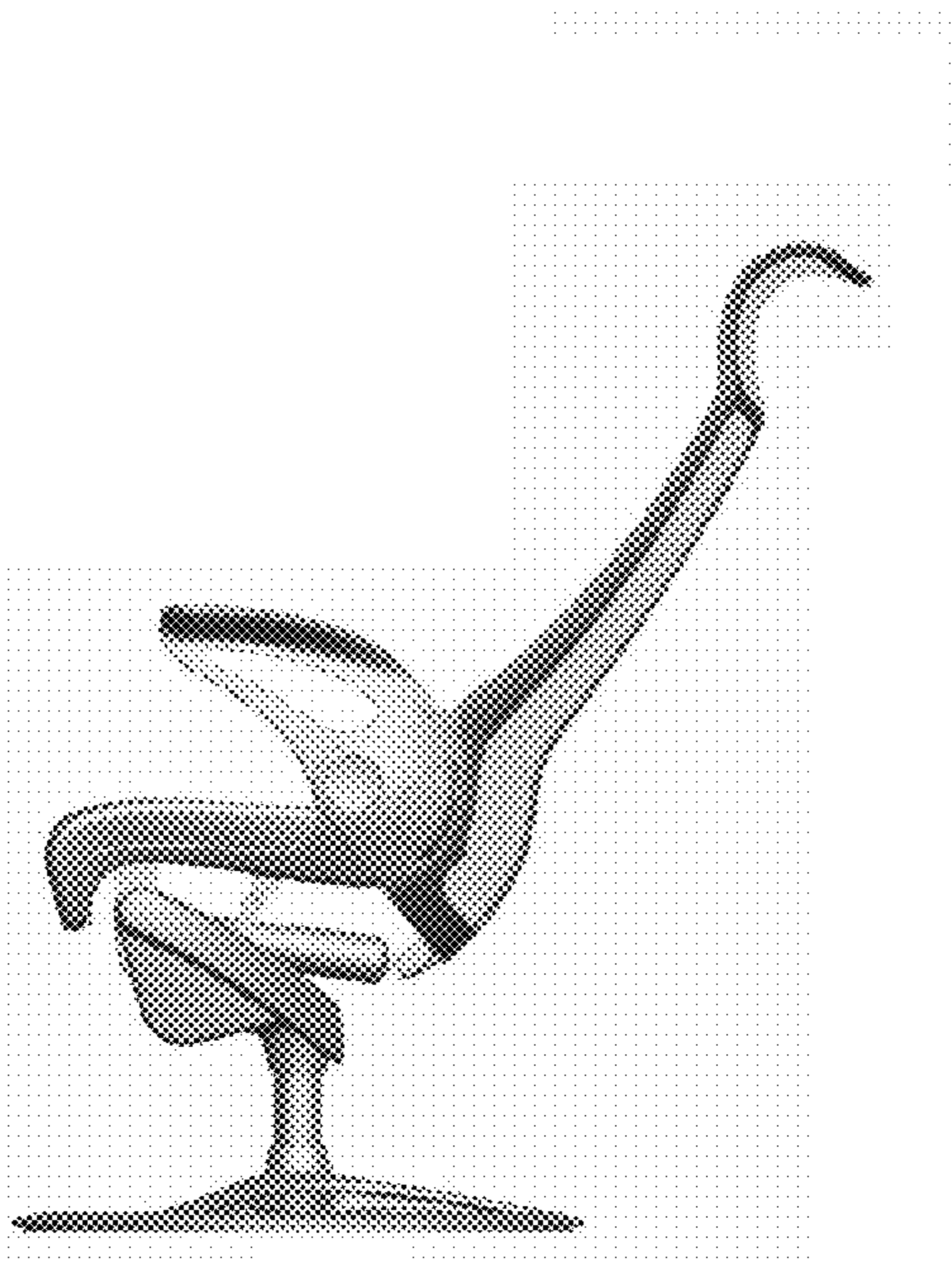
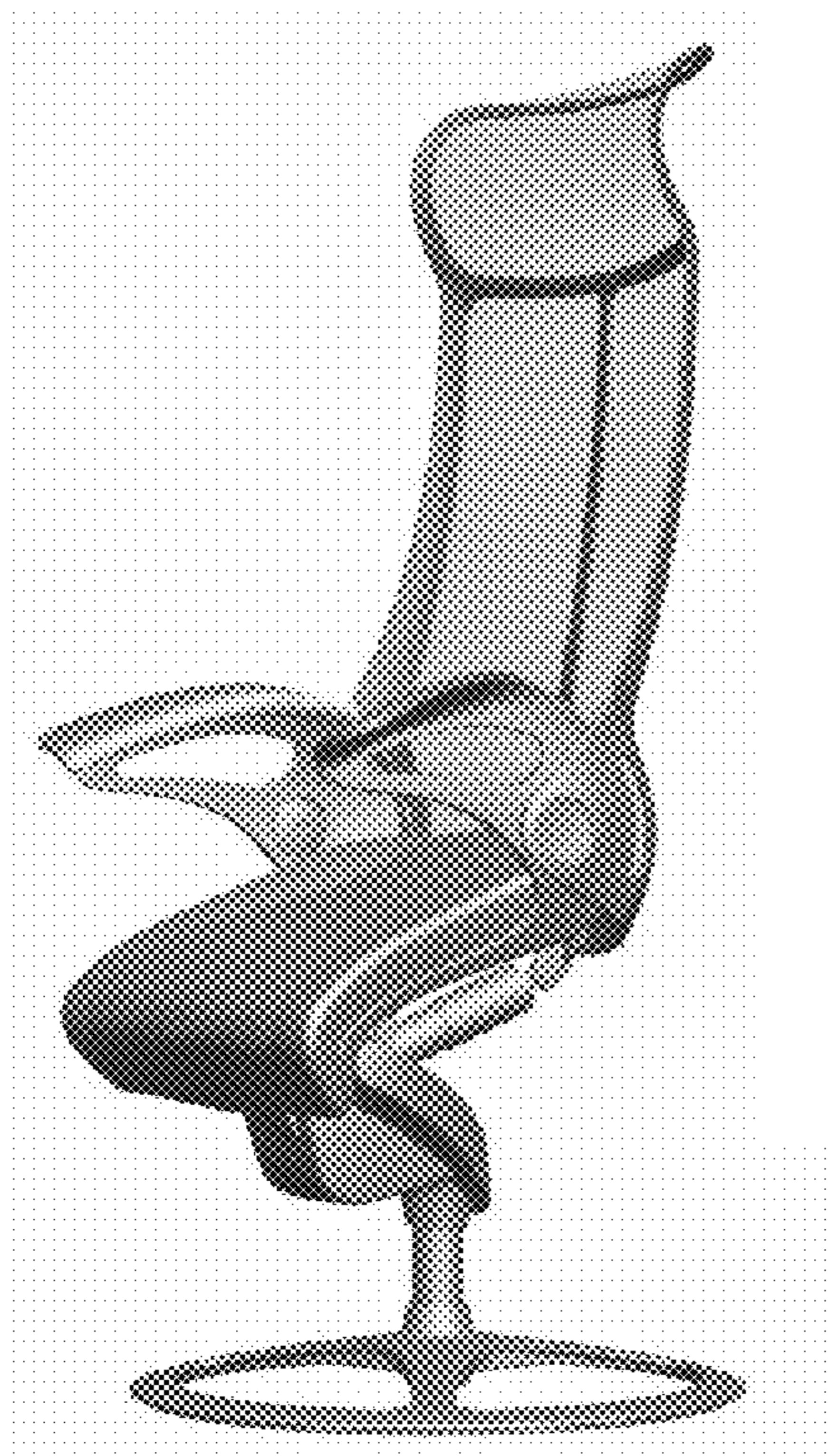




FIG. 1

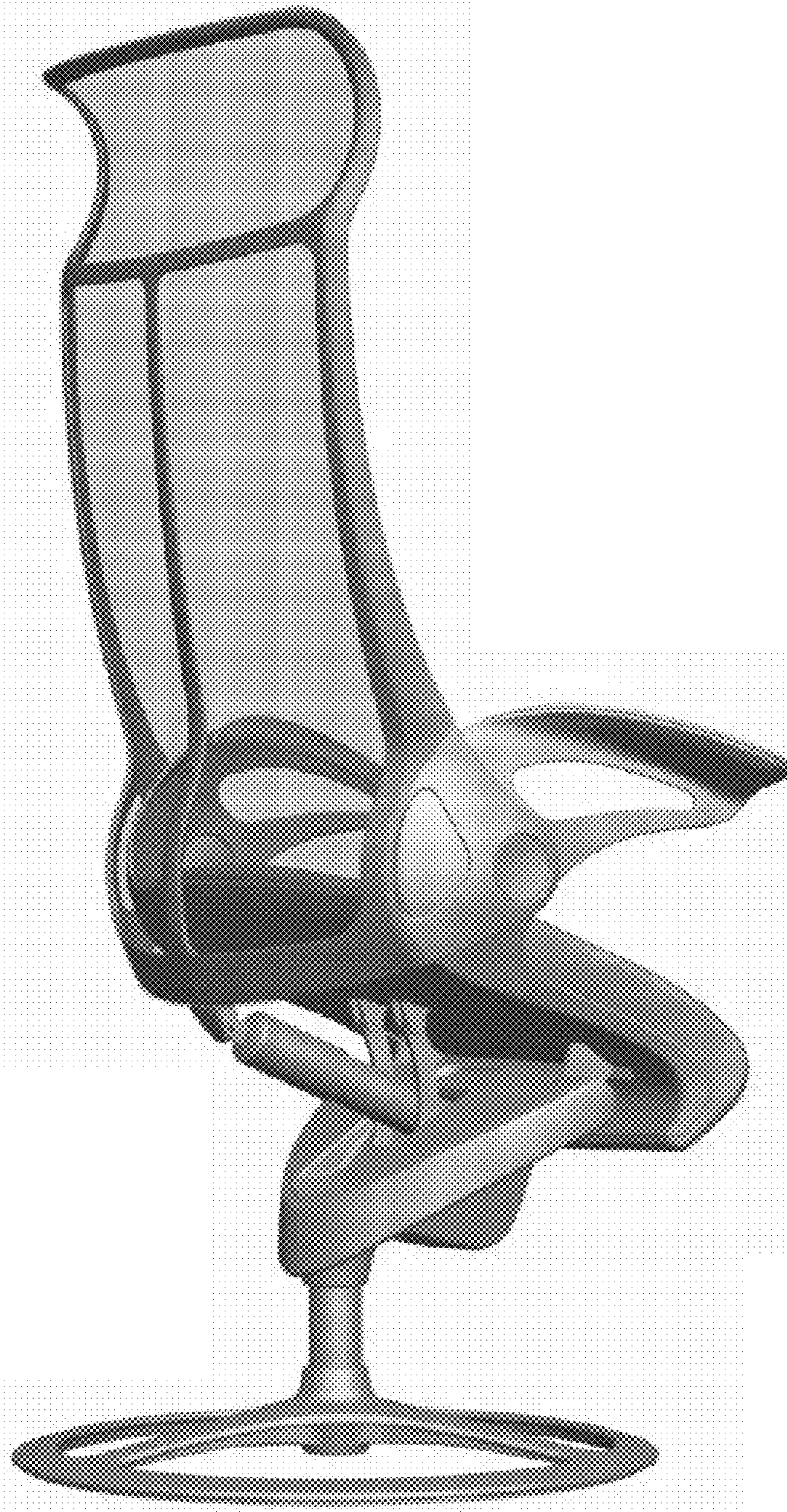


FIG.2

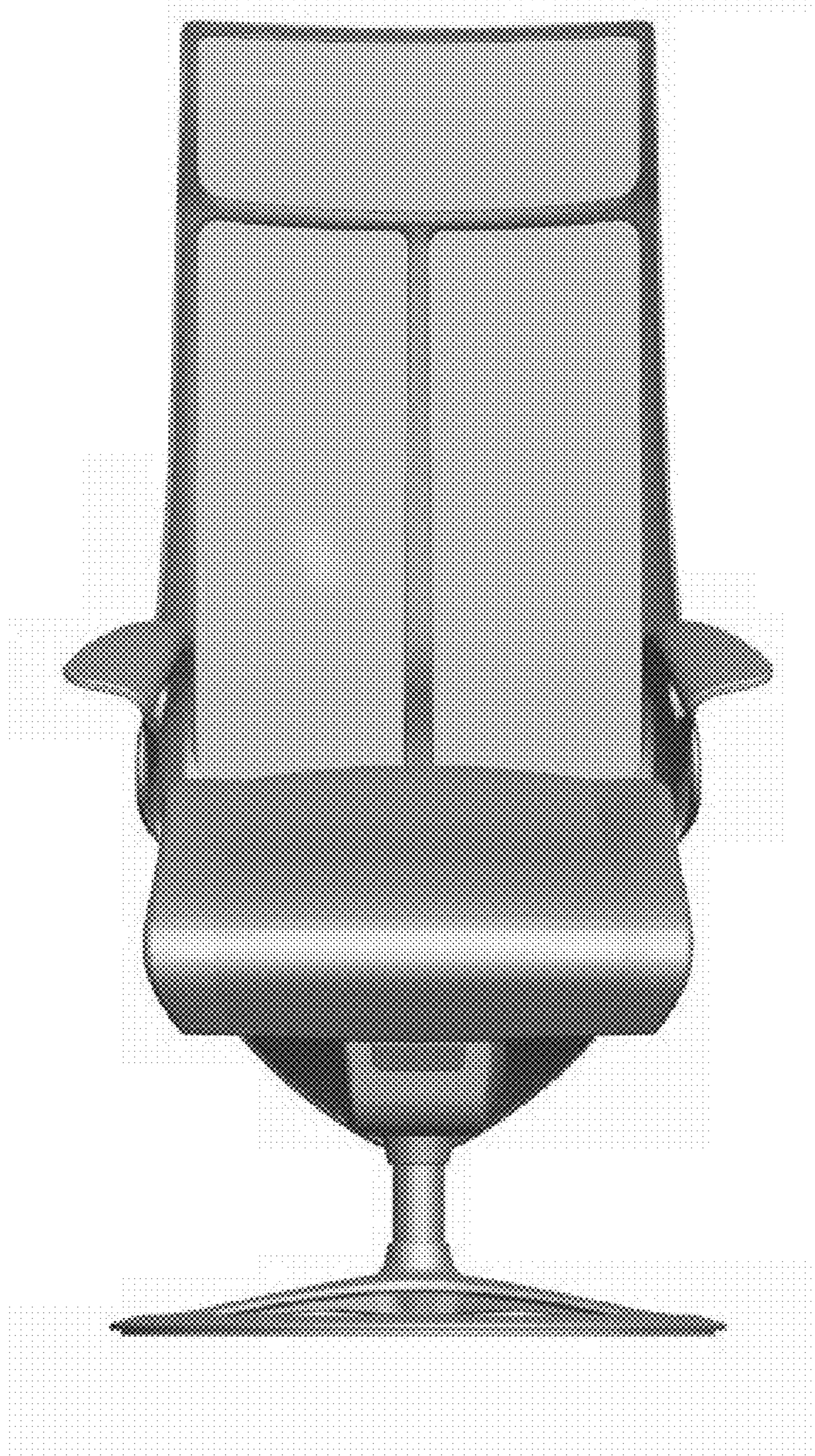


FIG. 3

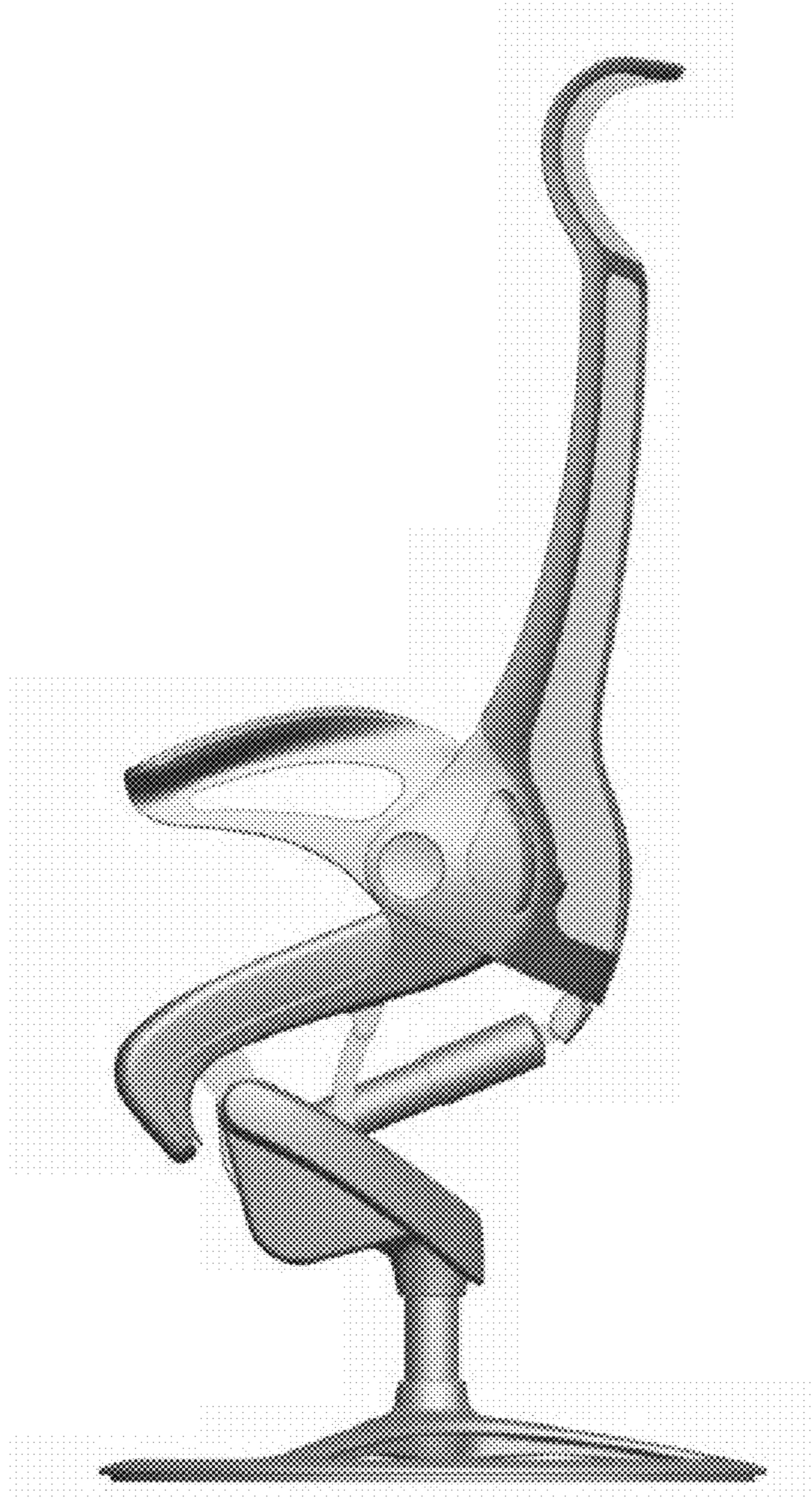


FIG. 4

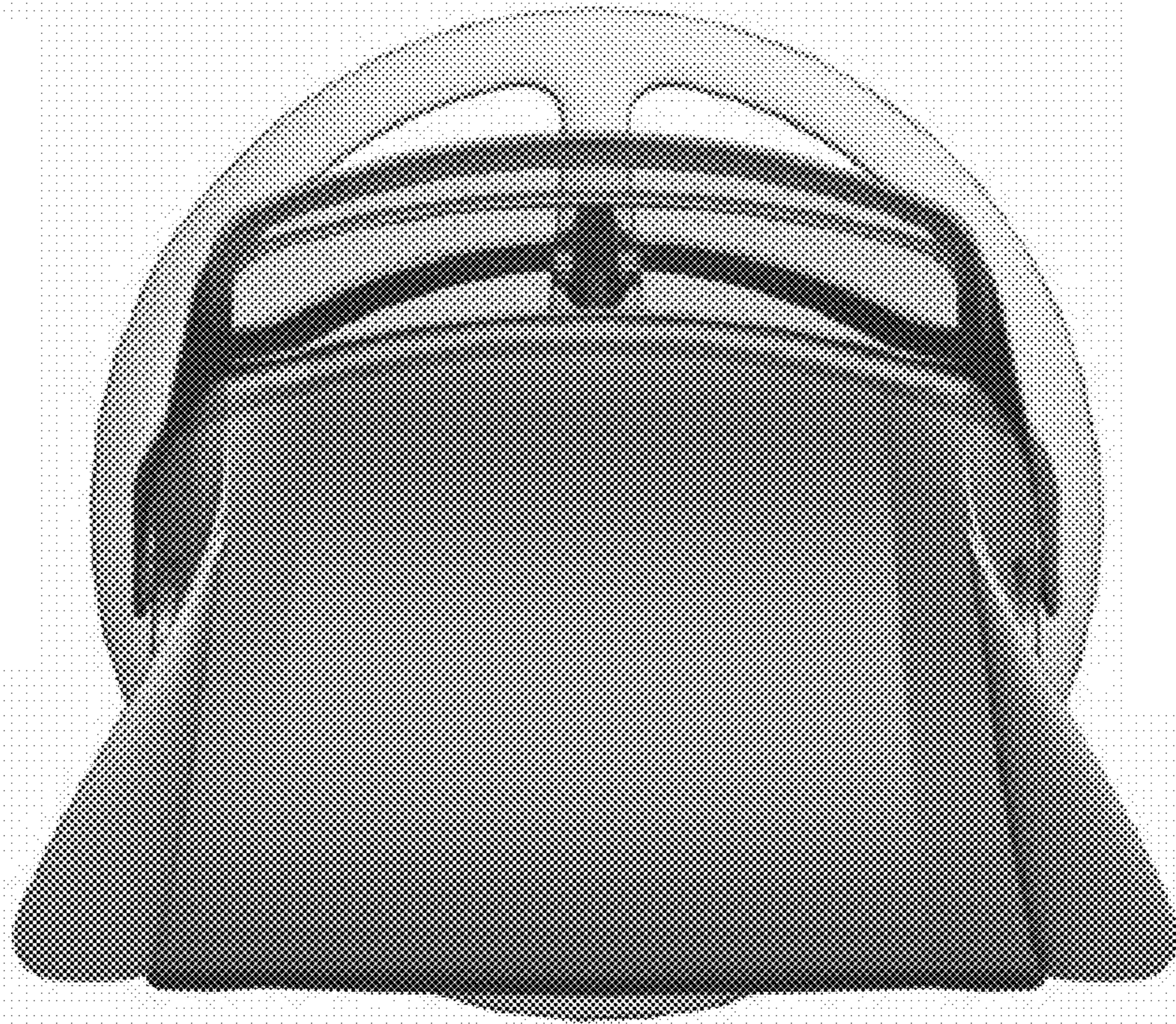


FIG. 5

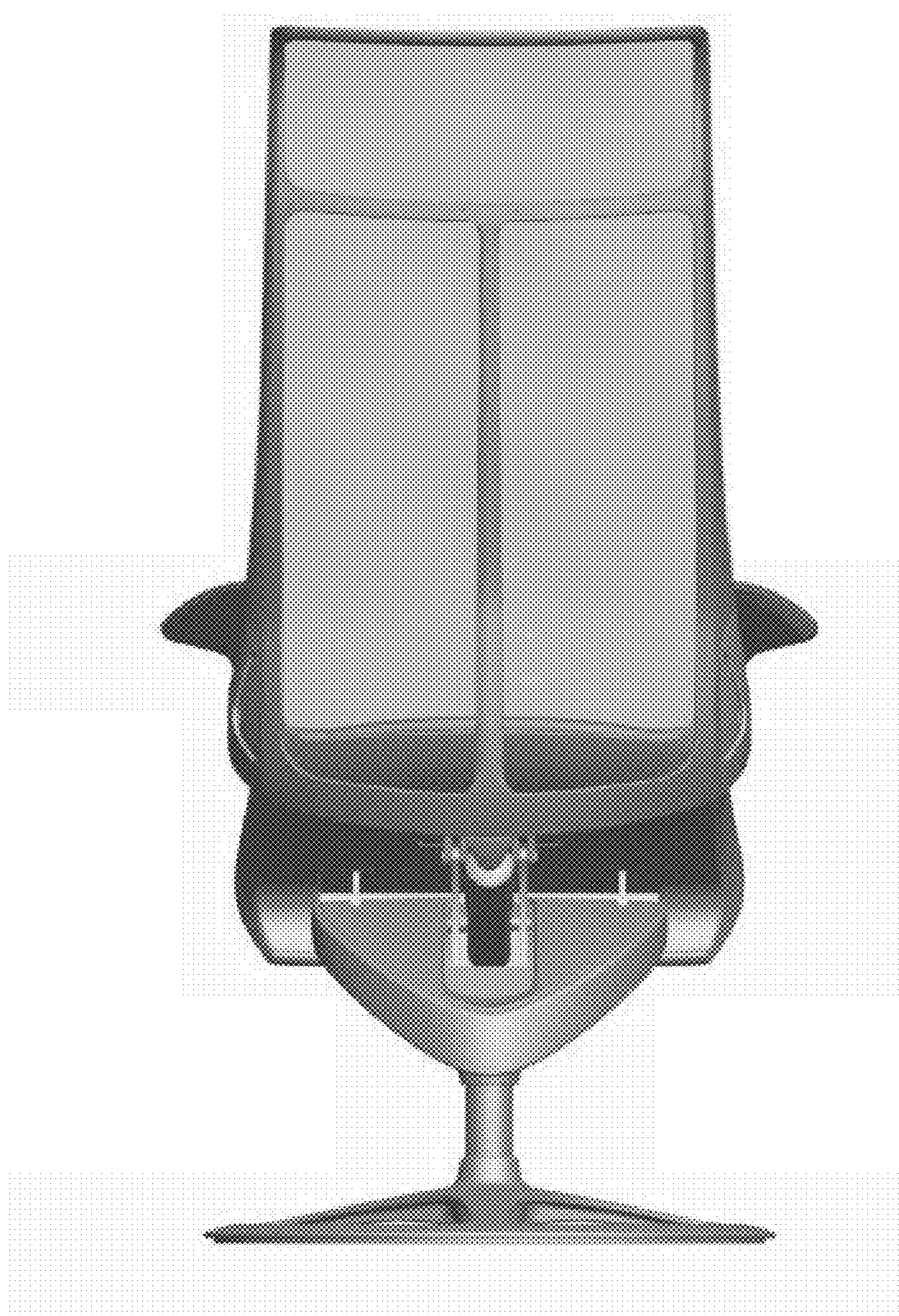


FIG. 6

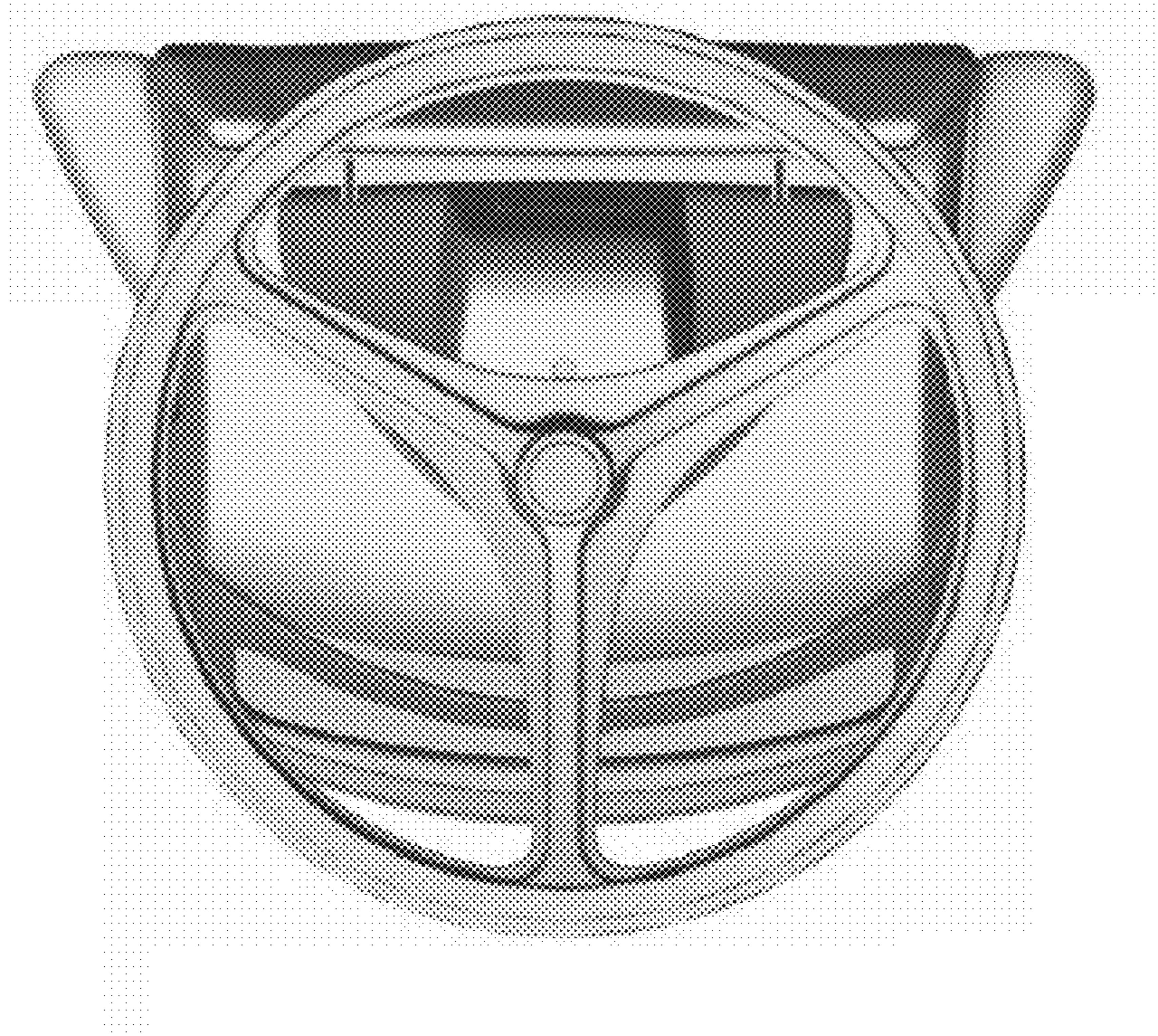


FIG. 7



FIG. 8