



US00D616650S

(12) **United States Design Patent**
Saadian

(10) **Patent No.:** **US D616,650 S**
(45) **Date of Patent:** **** Jun. 1, 2010**

(54) **HANDLE FOR A PAINT ROLLER**

2009/0133207 A1* 5/2009 Dale et al. 15/230.11

(76) Inventor: **Bahram Saadian**, Greenacres, Coppice Lane, Disley, Stockport (GB) SK12 2LT

(**) Term: **14 Years**

(21) Appl. No.: **29/353,166**

(22) Filed: **Jan. 4, 2010**

(51) **LOC (9) Cl.** **08-05**

(52) **U.S. Cl.** **D4/122**

(58) **Field of Classification Search** D4/122,
D4/138, 199; D8/80, 83, 107; 16/430, 431,
16/DIG. 12, DIG. 19; 15/143.1, 27, 230.11;
492/13, 17-19

See application file for complete search history.

(56) **References Cited**

U.S. PATENT DOCUMENTS

3,154,830	A *	11/1964	Juchniewicz	425/471
3,588,264	A *	6/1971	Mallindine	401/127
4,077,082	A *	3/1978	Roe et al.	15/230.11
6,141,821	A *	11/2000	Chin	15/230.11
2003/0126711	A1 *	7/2003	Korenevsky	15/230.11
2004/0168276	A1 *	9/2004	Lye	15/230.11
2006/0130262	A1 *	6/2006	Visk et al.	15/230.11
2007/0017050	A1 *	1/2007	Lye	15/230.11
2008/0028561	A1 *	2/2008	Ros	5/230.11
2008/0276400	A1 *	11/2008	Graham et al.	15/230.11

OTHER PUBLICATIONS

GB 3018488 Industrial Design Application (Pro-Tec Mouldings Ltd.), Sep. 21, 2004 [retrieved on Mar. 28, 2010] Retrieved from the Design Database of the UK Intellectual Property Office using the Internet <URL: http://www.ipo.gov.uk>.*

* cited by examiner

Primary Examiner—Melanie H Tung
Assistant Examiner—Lavone D Tabor

(74) *Attorney, Agent, or Firm*—Victor N. King; Speckman Law Group PLLC

(57) **CLAIM**

The ornamental design for a handle for a paint roller, substantially as shown and described.

DESCRIPTION

FIG. 1 is a perspective view of a handle for a paint roller;
FIG. 2 is a front elevation view thereof, the opposing side being a mirror image of this view;
FIG. 3 is a side elevation view thereof, the opposing side being a mirror image of this view;
FIG. 4 is a top plan view thereof; and,
FIG. 5 is a bottom plan view thereof.

1 Claim, 3 Drawing Sheets

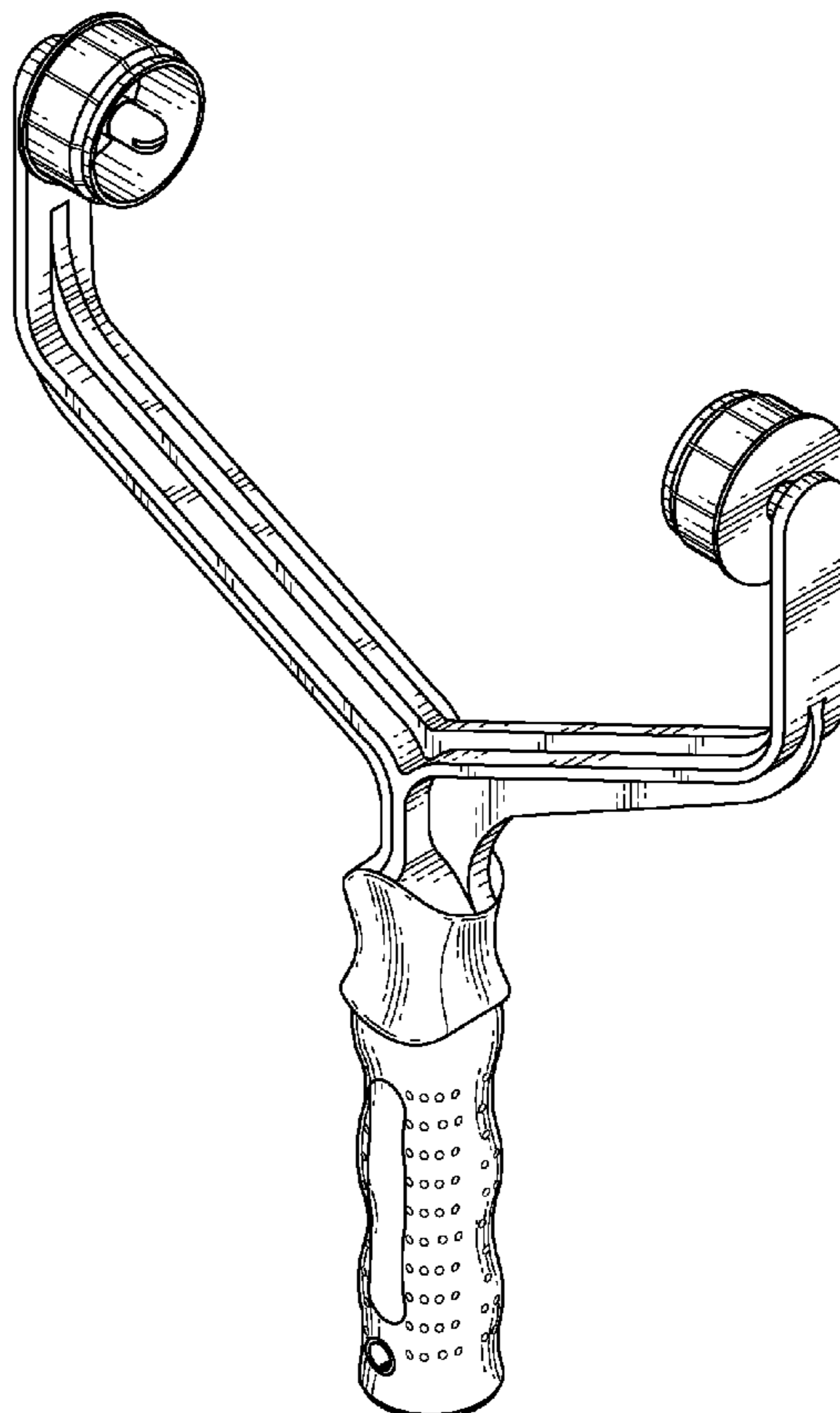


FIG. 1

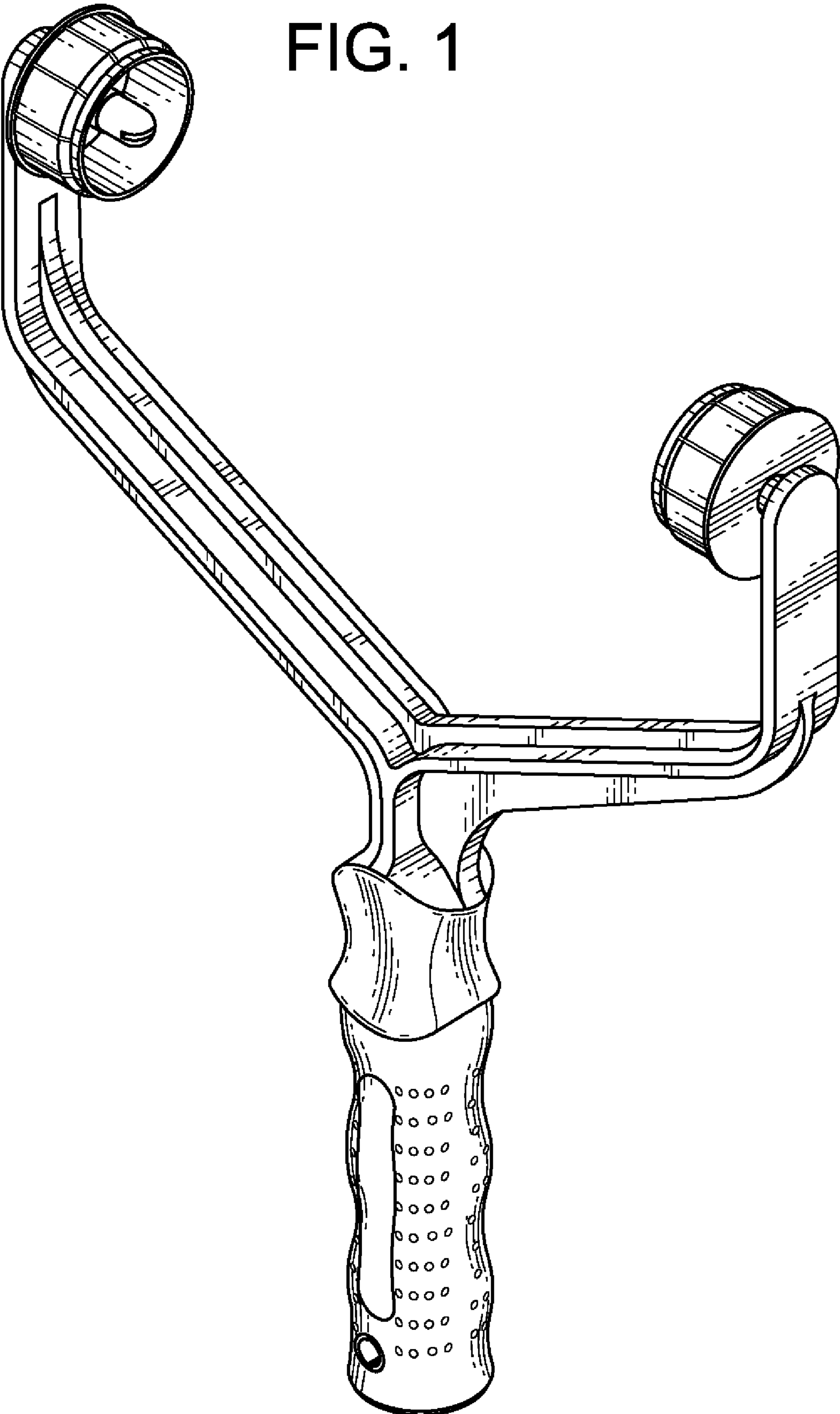


FIG. 2

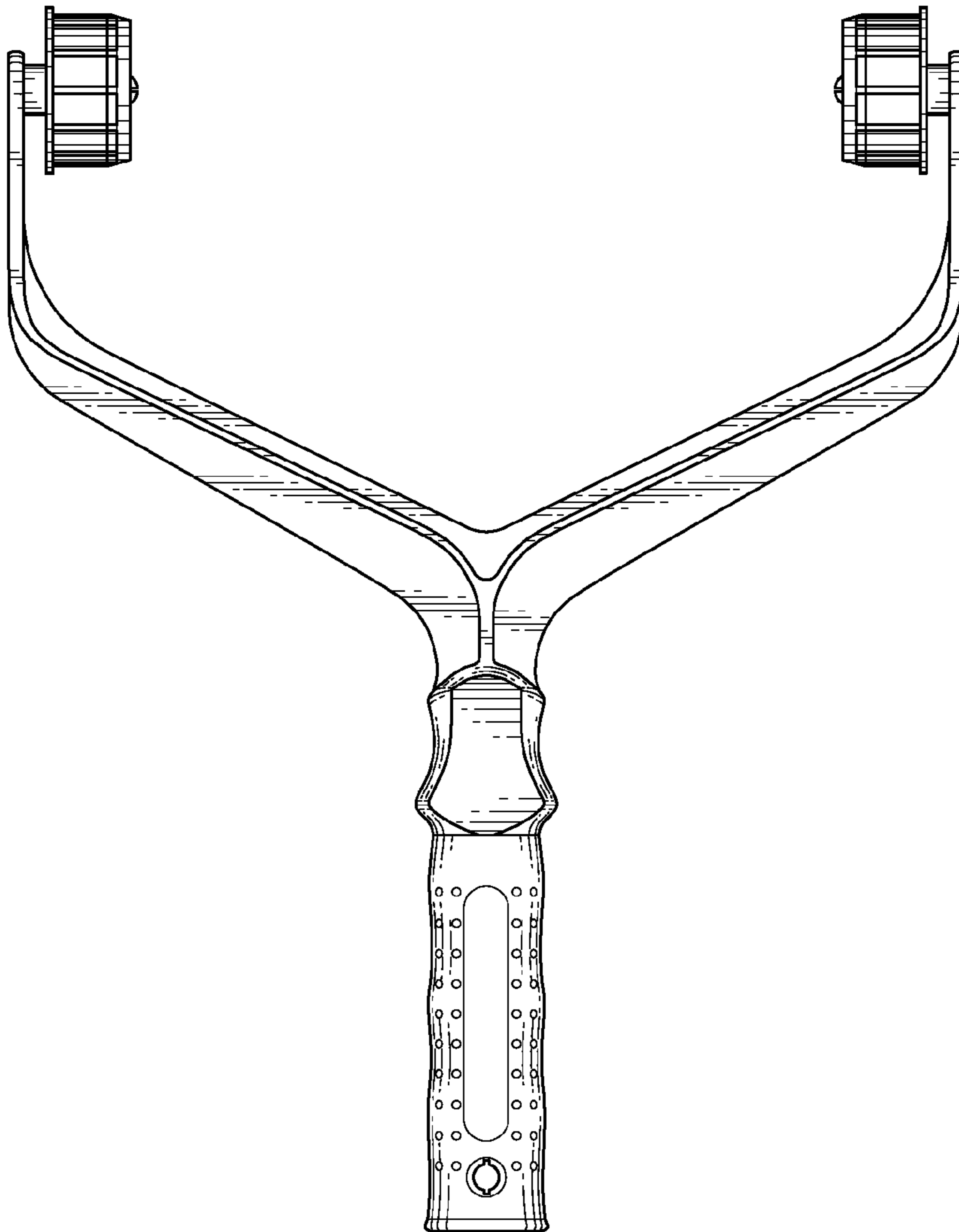


FIG. 3

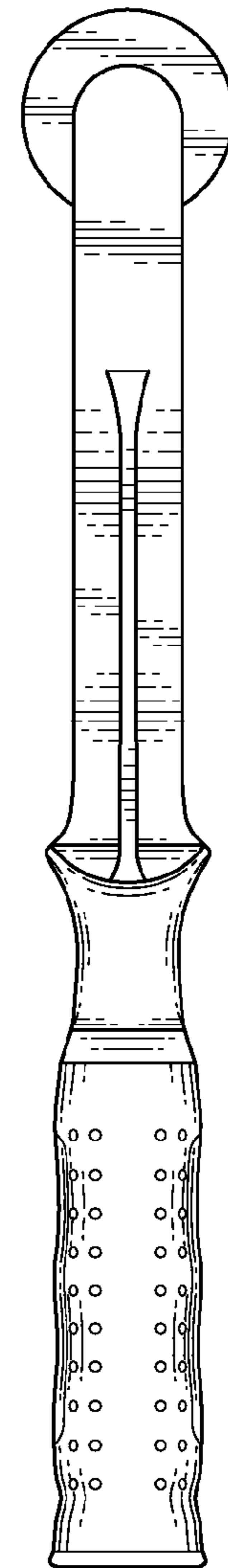


FIG. 4

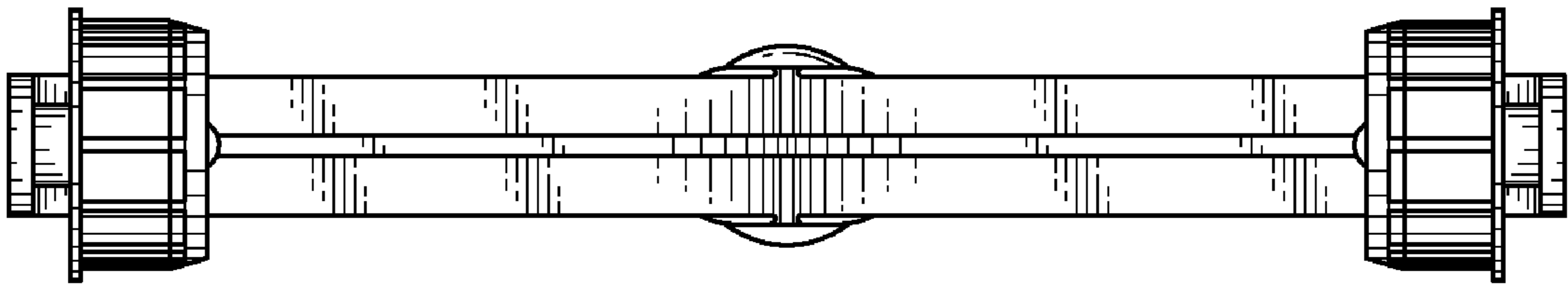


FIG. 5

