



US00D616648S

(12) **United States Design Patent**
Logan

(10) **Patent No.:** **US D616,648 S**
(45) **Date of Patent:** **** Jun. 1, 2010**

(54) **COVERED STORAGE CONTAINER**

(75) Inventor: **Karol Robinson Logan**, 5700 Lyngate Ct., Lanham, MD (US) 20706

(73) Assignee: **Karol Robinson Logan**, Lanham, MD (US)

(**) Term: **14 Years**

(21) Appl. No.: **29/339,329**

(22) Filed: **Jun. 29, 2009**

Related U.S. Application Data

(63) Continuation-in-part of application No. 12/386,763, filed on Apr. 23, 2009.

(51) **LOC (9) Cl.** **03-01**

(52) **U.S. Cl.** **D3/299; D3/273**

(58) **Field of Classification Search** D3/273,
D3/289-290, 299, 301; D6/432, 436, 440,
D6/449; 206/278, 287, 294

See application file for complete search history.

(56) **References Cited**

U.S. PATENT DOCUMENTS

2,584,722	A *	2/1952	London	206/287
3,242,960	A *	3/1966	Schwartzman	229/120.31
5,931,304	A *	8/1999	Hammond	206/570
D452,075	S *	12/2001	Mogil	D3/301
6,460,702	B2 *	10/2002	Hammond	206/570
D481,887	S *	11/2003	Ellwanger	D6/448
D503,042	S *	3/2005	Gutierrez et al.	D3/302
6,957,738	B2 *	10/2005	Hammond	206/570
D525,790	S *	8/2006	Heroux	D3/301

7,222,745	B2 *	5/2007	Gutierrez et al.	220/675
D584,053	S *	1/2009	Abdo et al.	D3/302
D596,856	S *	7/2009	Udwin	D3/289
D598,194	S *	8/2009	Turvey et al.	D3/289
D599,550	S *	9/2009	Turvey et al.	D3/289
D604,925	S *	11/2009	Hofman et al.	D99/28
2002/0092787	A1 *	7/2002	Cheng	206/459.5
2007/0000796	A1 *	1/2007	Kameoka	206/278
2007/0164525	A1 *	7/2007	Rodrigues	280/47.18
2009/0090730	A1 *	4/2009	Schmitt	220/665
2009/0289069	A1 *	11/2009	Logan	220/495.1

* cited by examiner

Primary Examiner—Adir Aronovich

Assistant Examiner—Roselynn Cody

(74) *Attorney, Agent, or Firm*—Angela S. Robinson, Esq.

(57) **CLAIM**

The ornamental design for a covered storage container, substantially as shown and described.

DESCRIPTION

FIG. 1 is an isometric view of a covered storage container, with the cover partially raised from the top, showing my new design; the right and left sides of the covered storage container are identical in appearance.

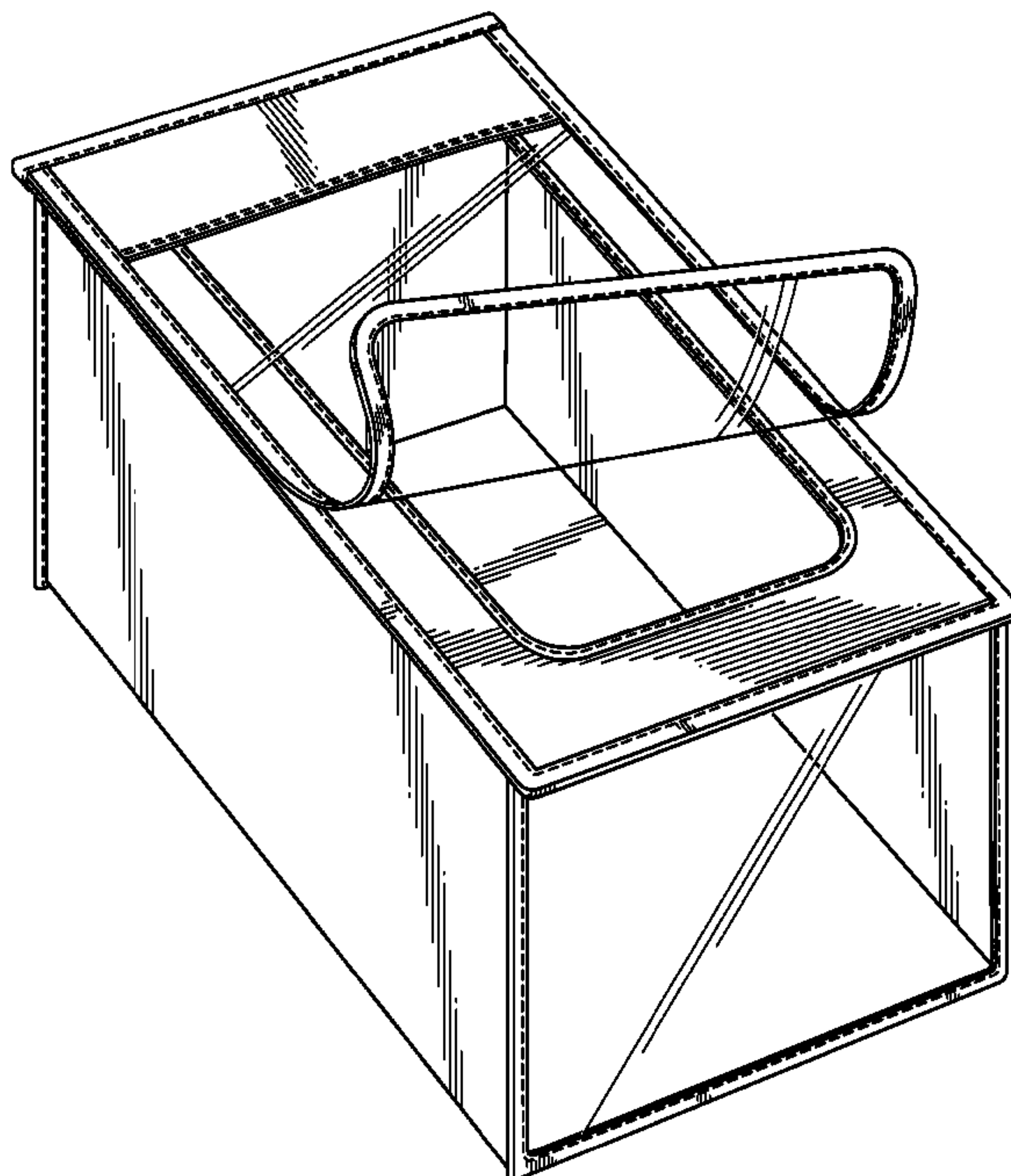
FIG. 2 is a rear view thereof.

FIG. 3 is an isometric view of an alternate embodiment of the invention of FIG. 1, showing the rear as a transparent material; and,

FIG. 4 is a rear view thereof.

The broken lines in the drawings illustrate stitching and form part of the claimed design.

1 Claim, 4 Drawing Sheets



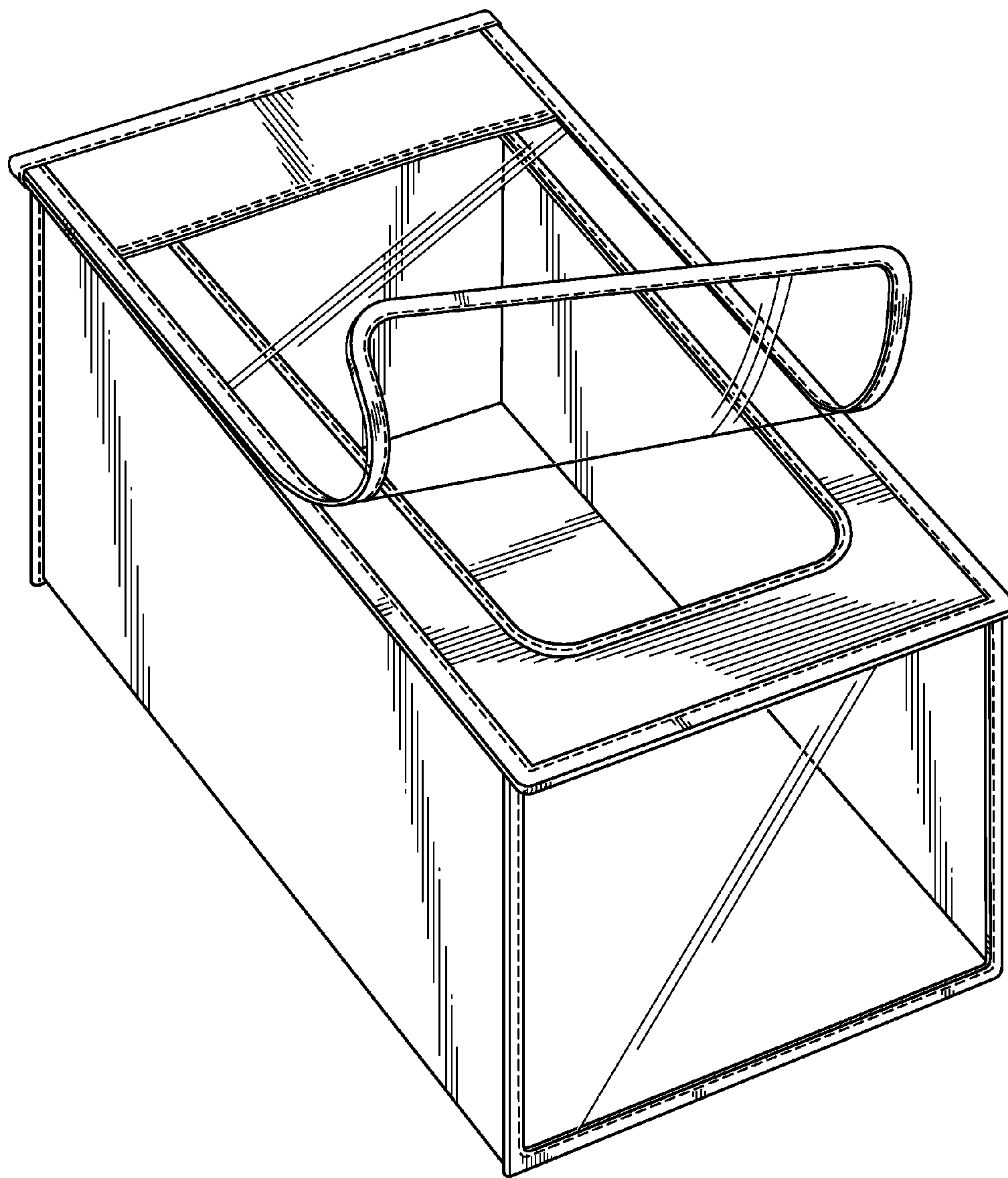


FIG. 1

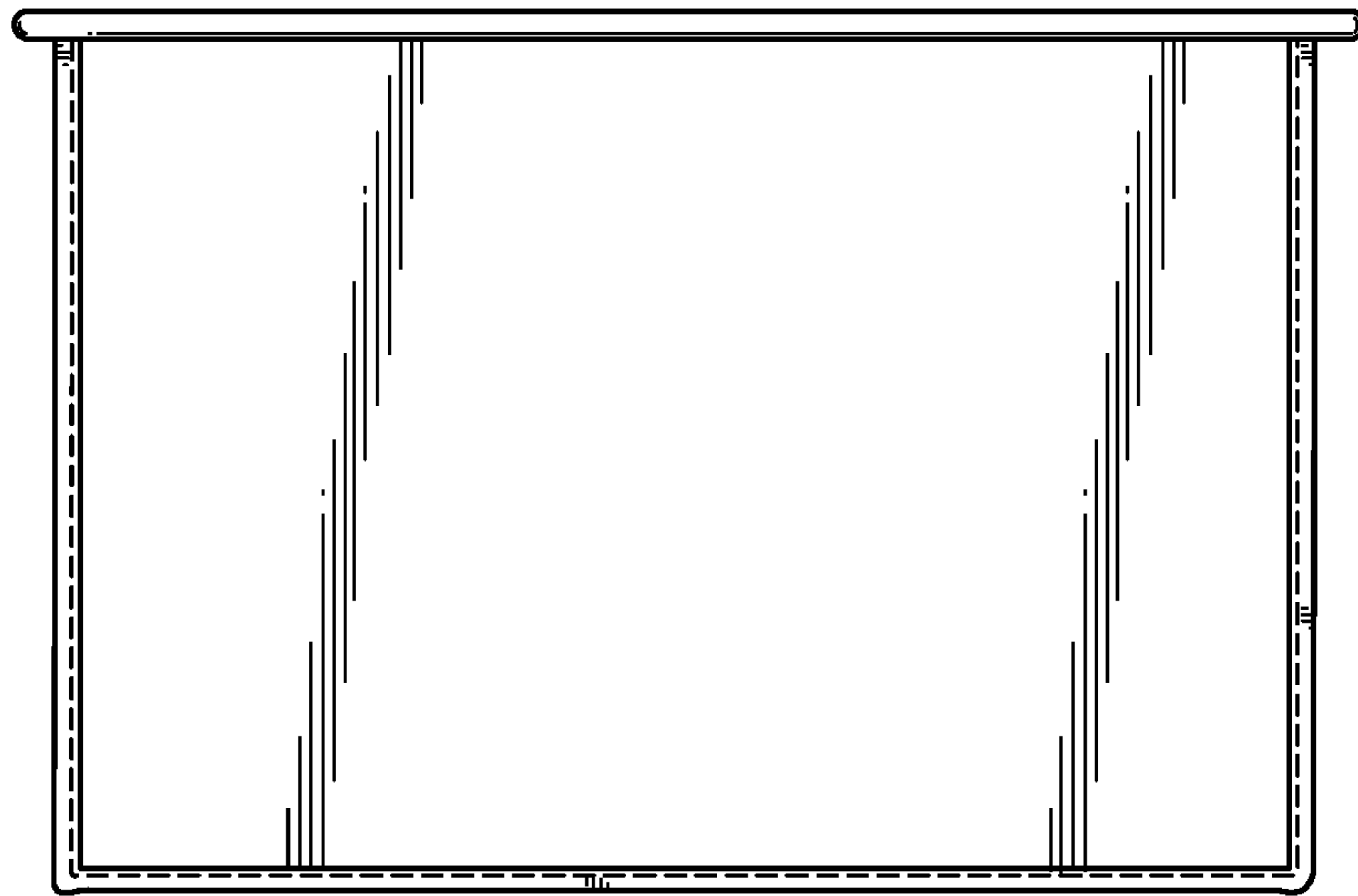


FIG. 2

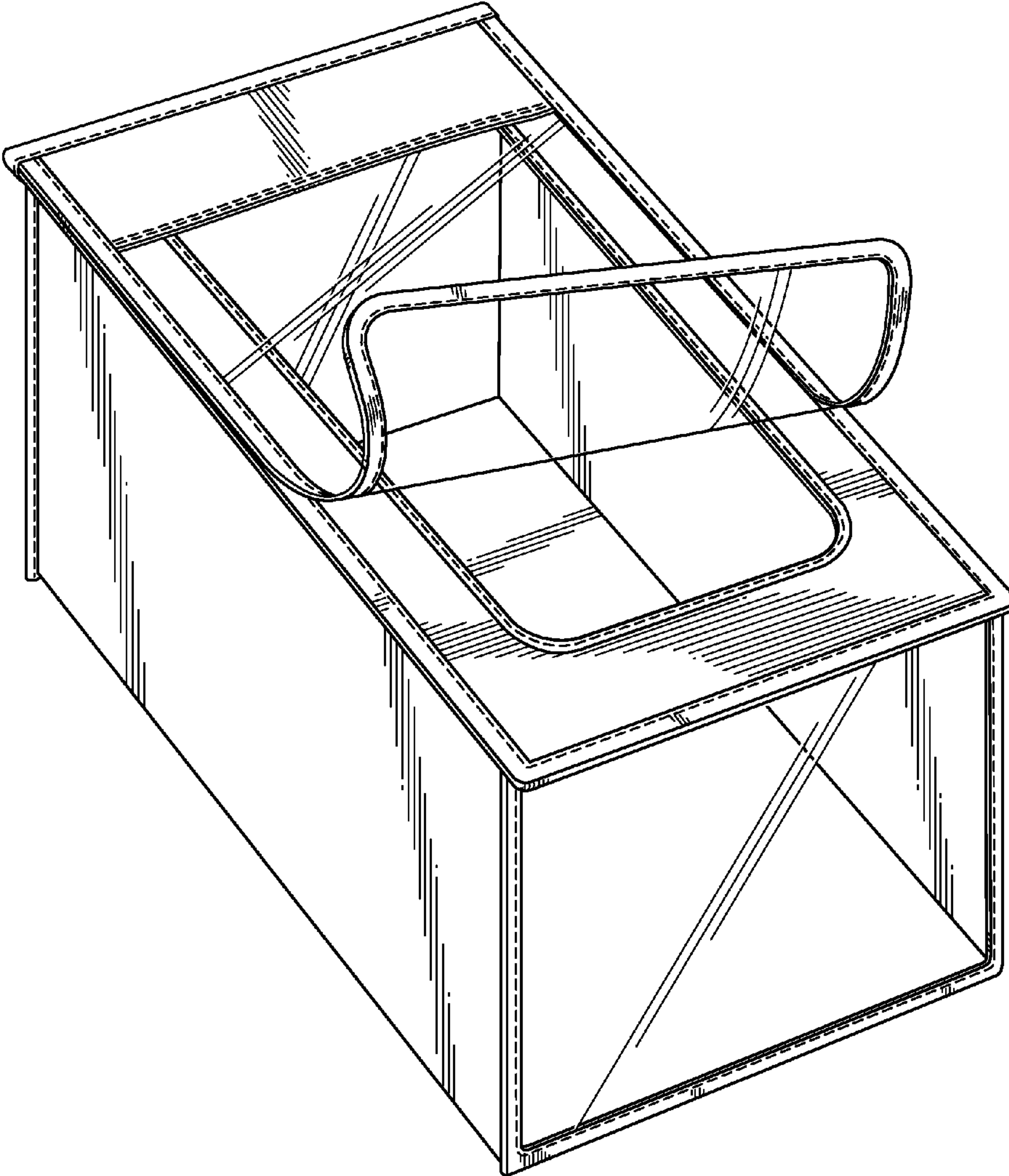


FIG. 3

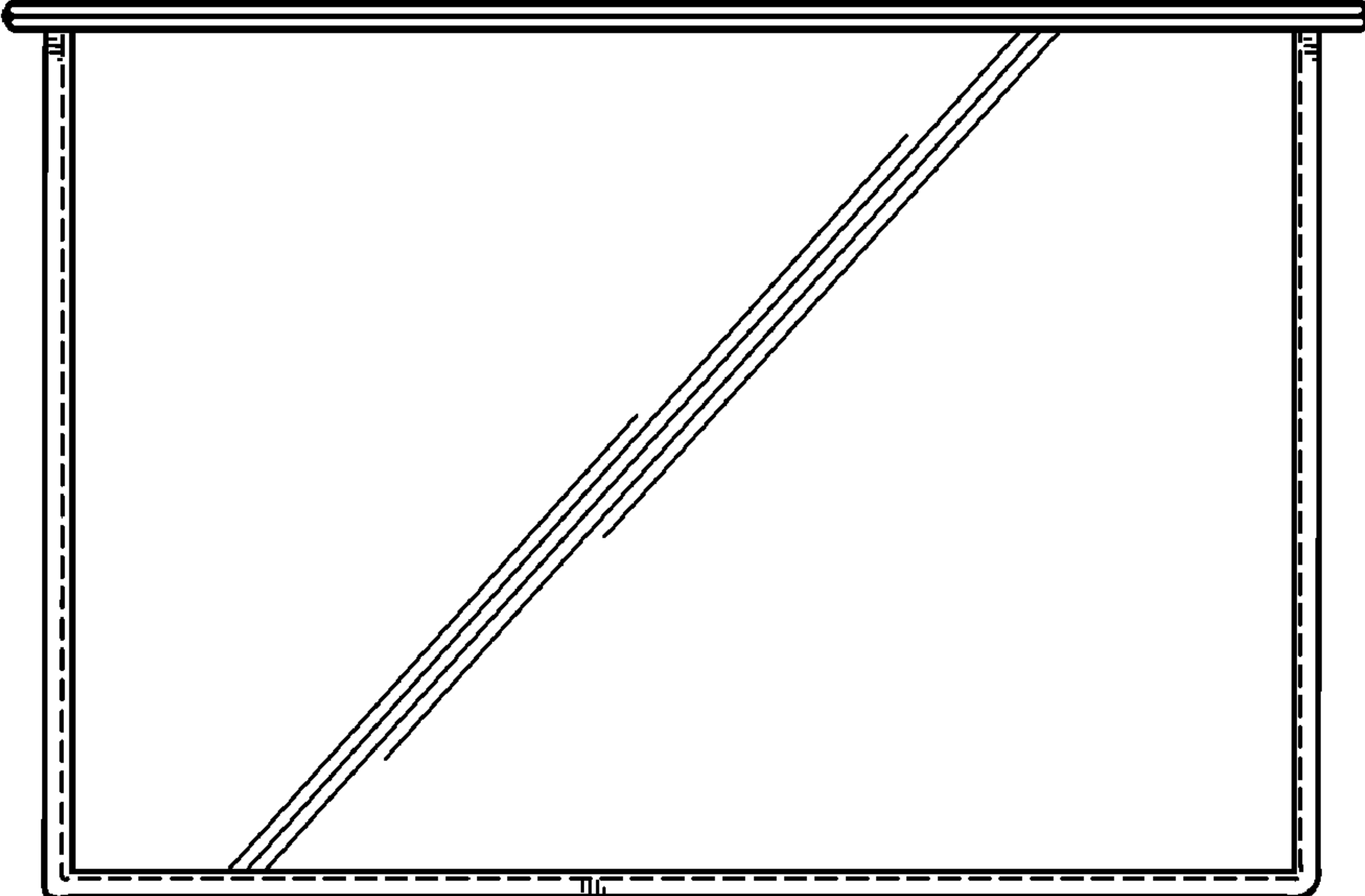


FIG. 4