



US00D616645S

(12) **United States Design Patent**
Bernsohn

(10) **Patent No.:** **US D616,645 S**
(45) **Date of Patent:** **** Jun. 1, 2010**

(54) **PURSE**

Primary Examiner—Holly H Baynham

(75) Inventor: **Matthew Bernsohn**, New York, NY
(US)

(74) *Attorney, Agent, or Firm*—Colucci & Umans

(73) Assignee: **Matt Bernson Design, LLC**, New York,
NY (US)

(57) **CLAIM**

The ornamental design for a purse, as shown and described.

(**) Term: **14 Years**

(21) Appl. No.: **29/341,441**

DESCRIPTION

(22) Filed: **Aug. 5, 2009**

(51) **LOC (9) Cl.** **03-01**

FIG. 1 is a front, right, top perspective view of a purse showing my new design therefor;

(52) **U.S. Cl.** **D3/232**

FIG. 2 is a front, left, bottom perspective view thereof;

(58) **Field of Classification Search** D3/232–233,
D3/240–246, 318; 150/100, 103–110, 113–114,
150/118–119

FIG. 3 is a right elevational view thereof;

FIG. 4 is a left elevational view thereof;

See application file for complete search history.

FIG. 5 is a top plan view thereof;

(56) **References Cited**

FIG. 6 is a bottom plan view thereof; and,

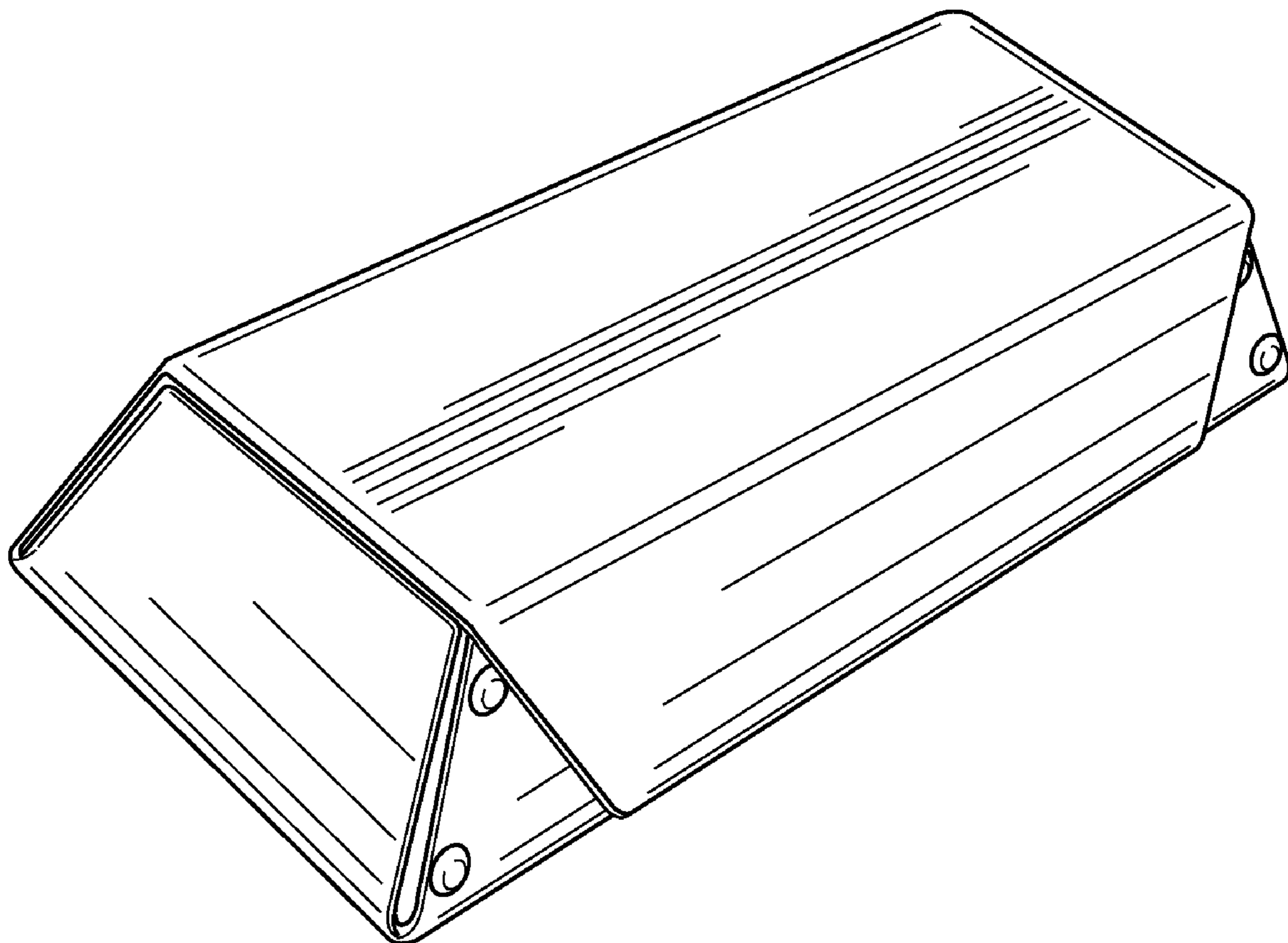
FIG. 7 is a rear view thereof.

U.S. PATENT DOCUMENTS

D144,008 S * 2/1946 Ungar D3/243

* cited by examiner

1 Claim, 7 Drawing Sheets



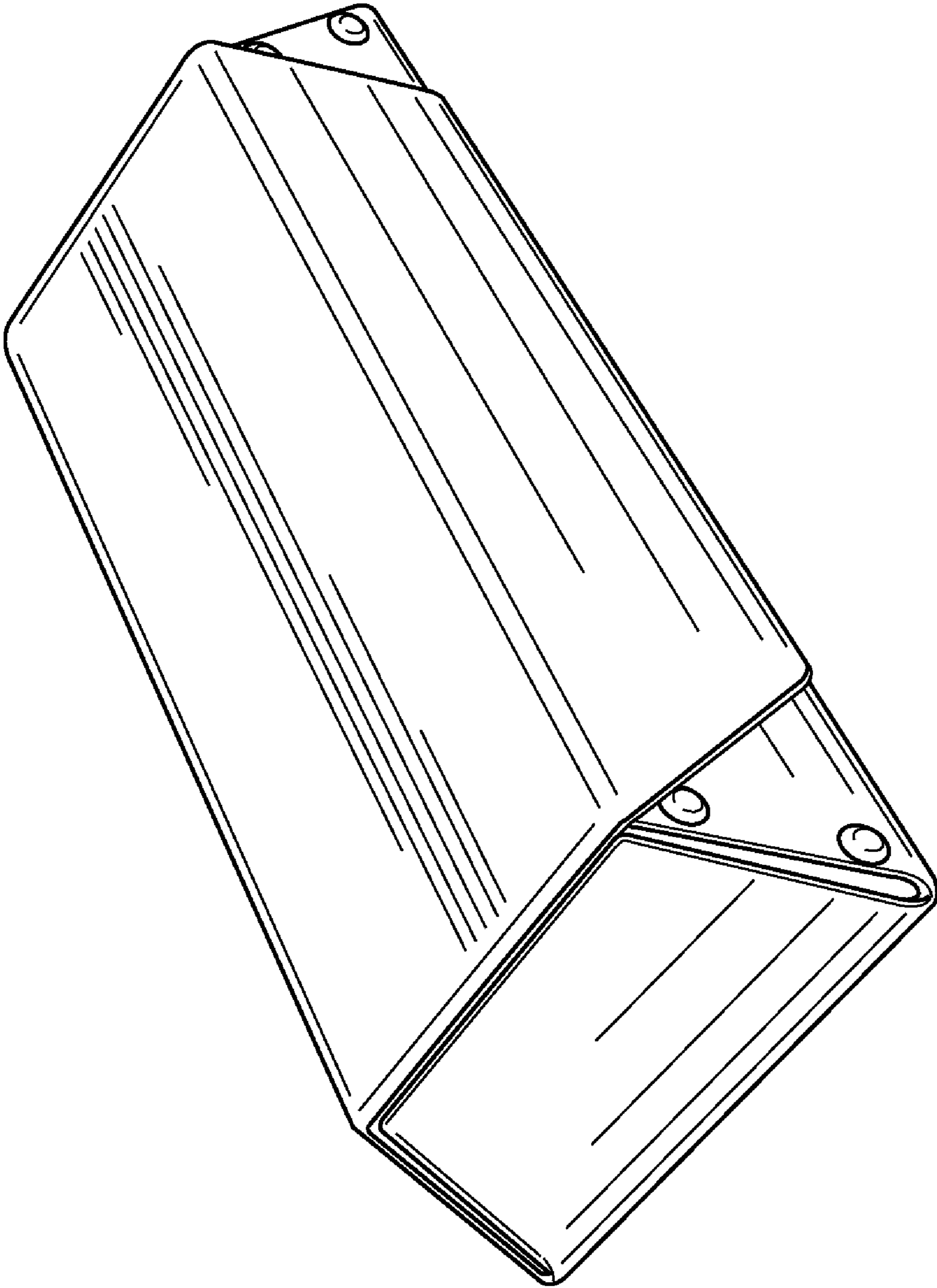


FIG. 1

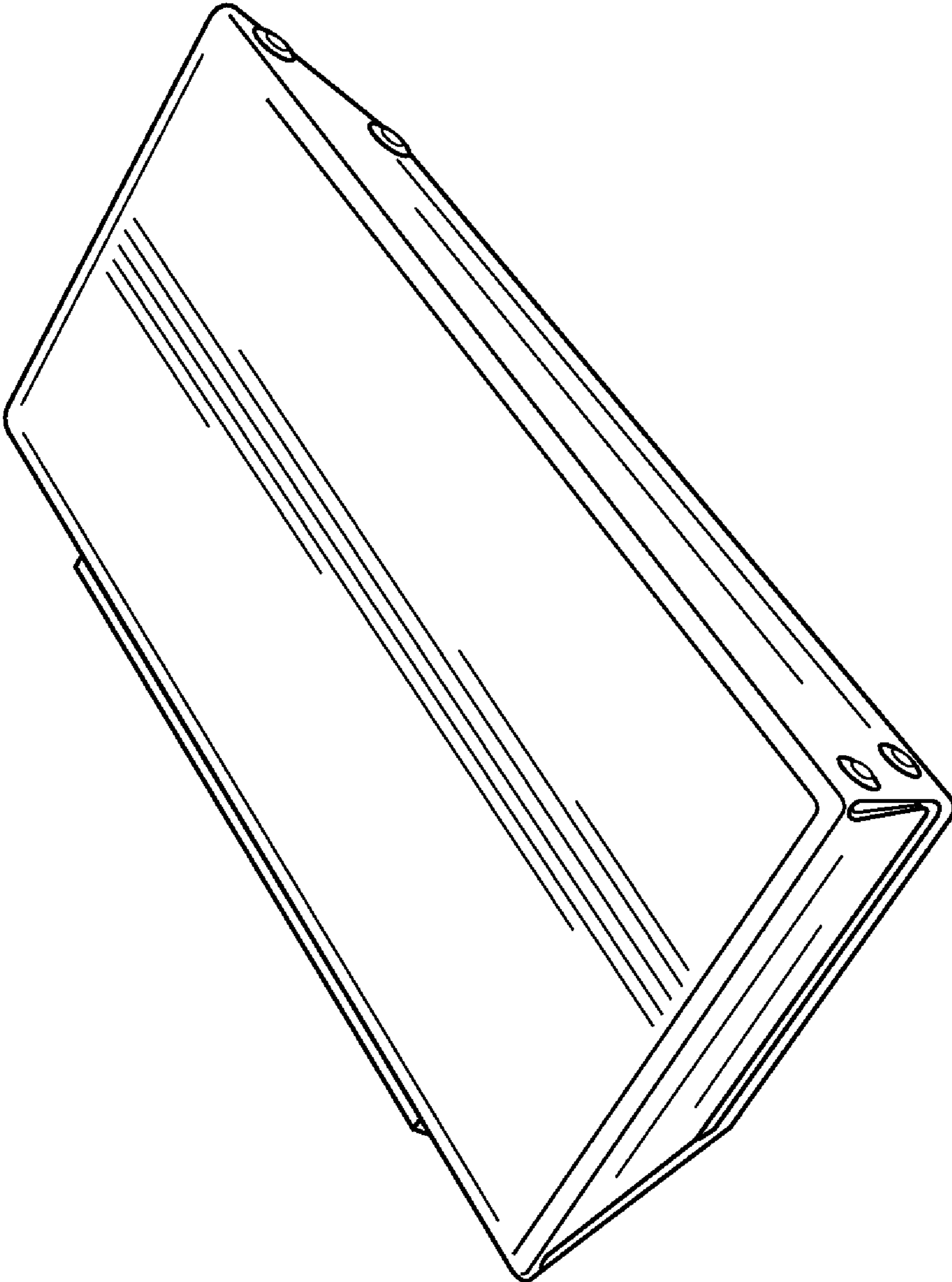


FIG. 2

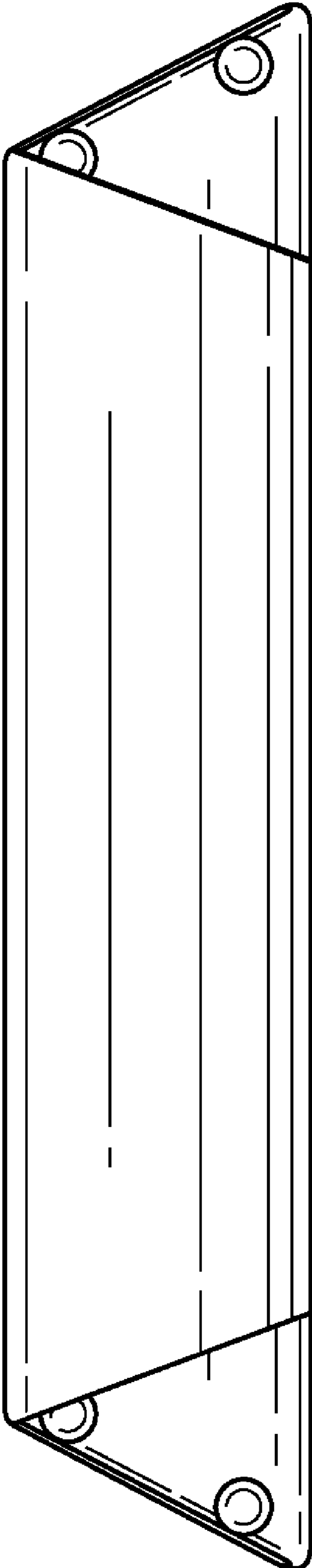


FIG. 3

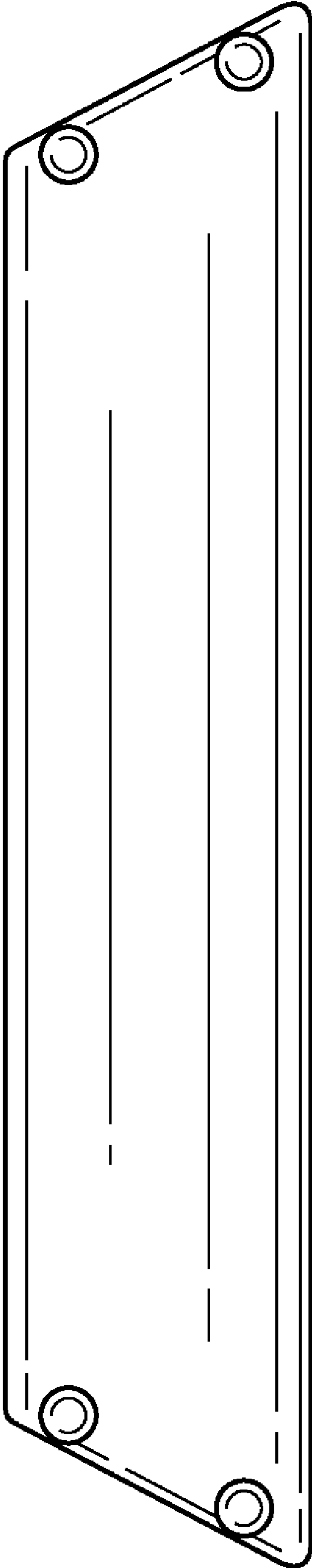


FIG. 4

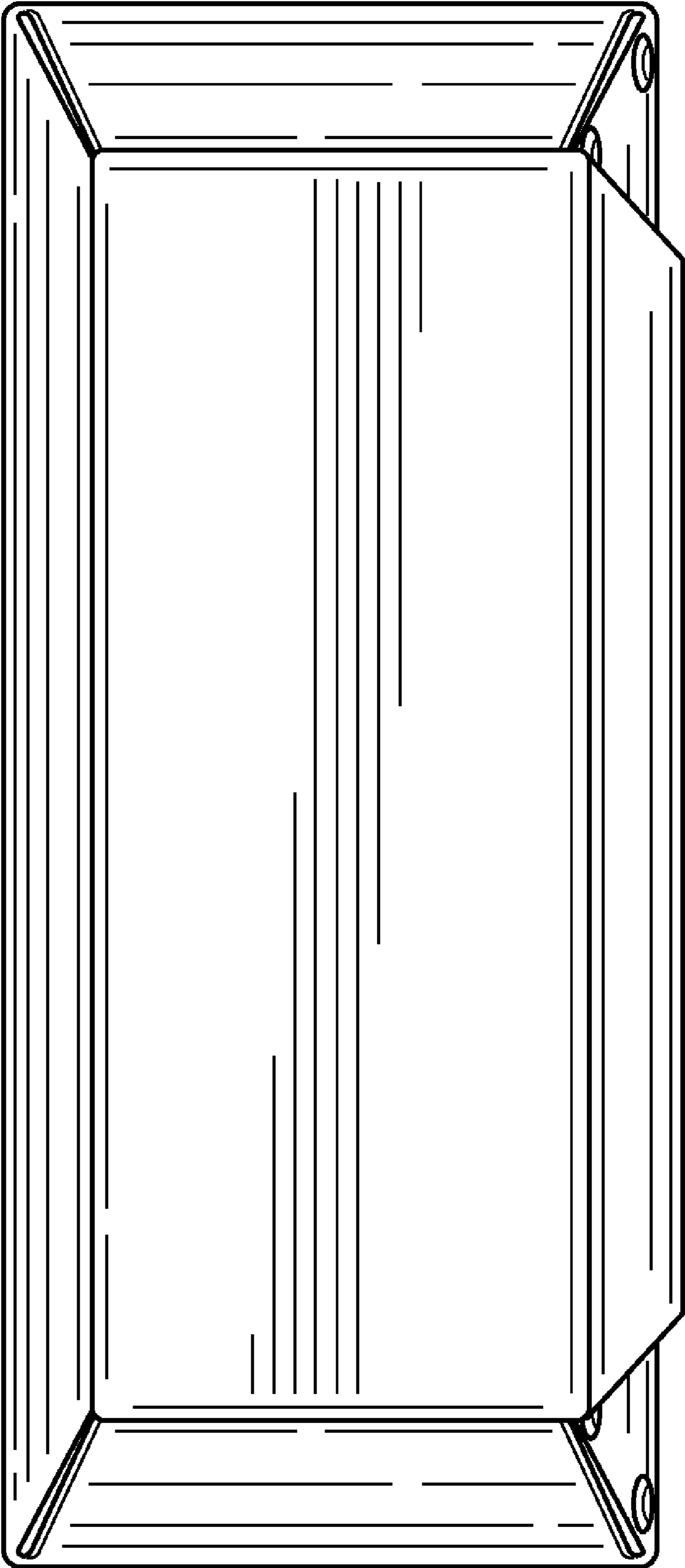


FIG. 5

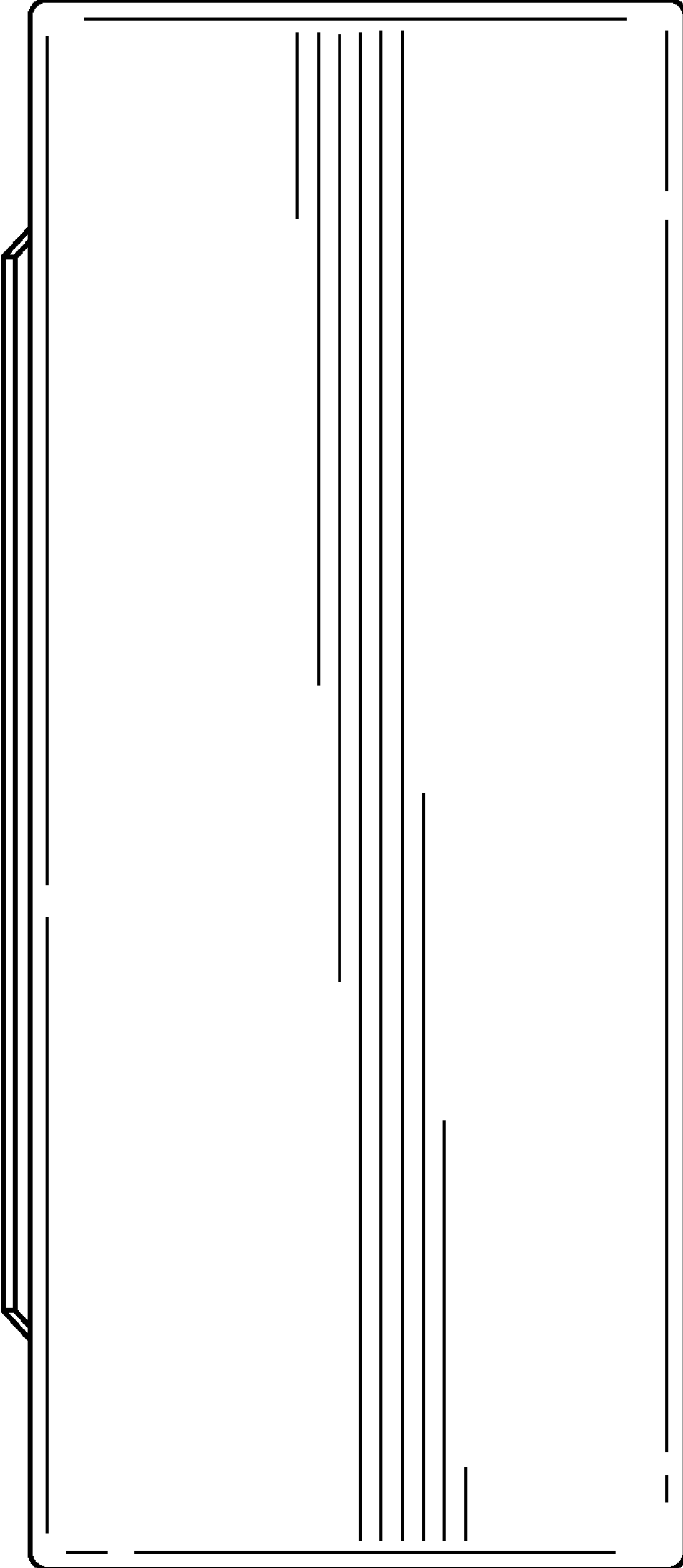


FIG. 6

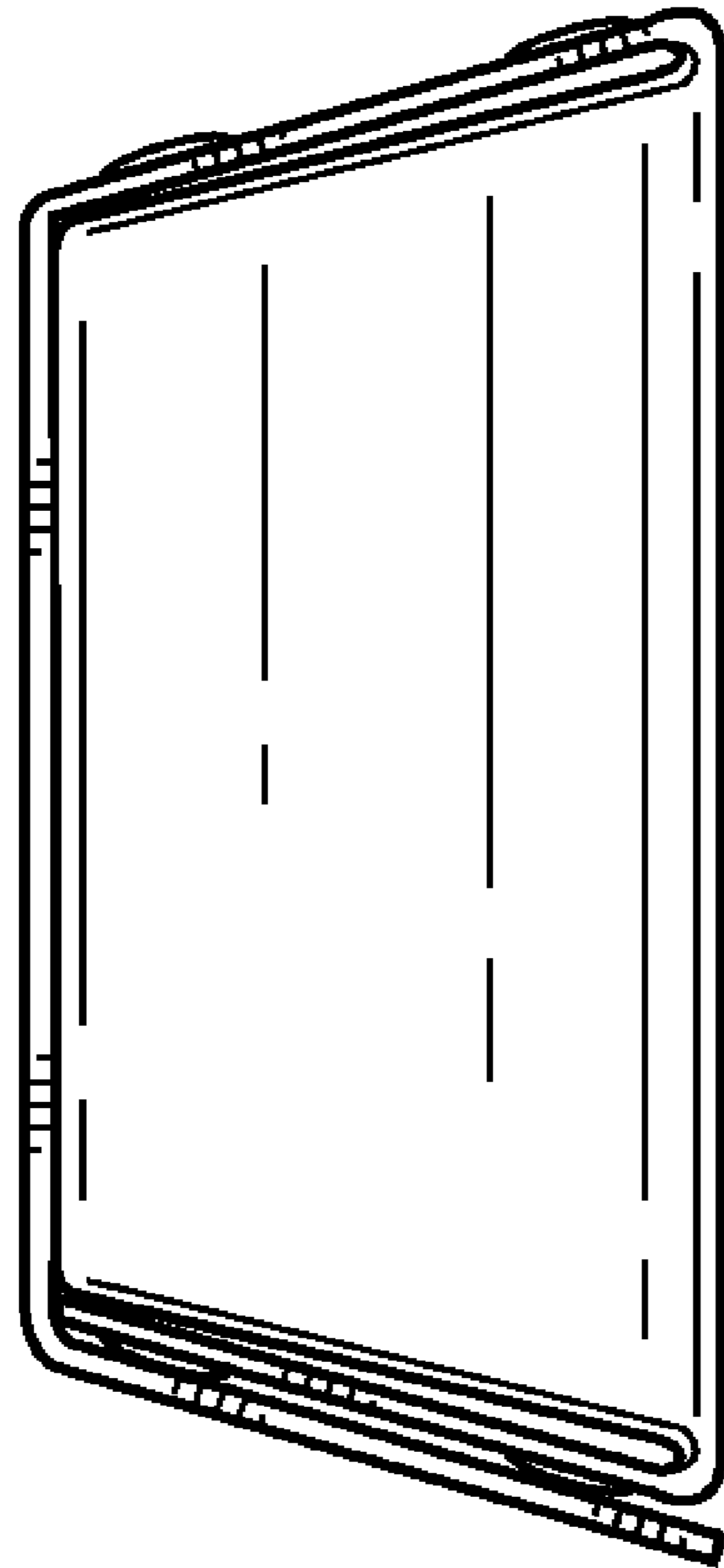


FIG. 7