



US00D616631S

(12) **United States Design Patent**  
**Dandron**

(10) **Patent No.:** **US D616,631 S**  
(45) **Date of Patent:** **\*\* Jun. 1, 2010**

(54) **BREAST PERSPIRATION PAD**

(76) Inventor: **Diane Dandron**, 1245 Maplewood Dr.,  
Long Lake, MN (US) 55346

(\*\*) Term: **14 Years**

(21) Appl. No.: **29/315,490**

(22) Filed: **Jun. 30, 2009**

(51) **LOC (9) Cl.** ..... **02-02**

(52) **U.S. Cl.** ..... **D2/860; D2/853**

(58) **Field of Classification Search** ..... D2/853,  
D2/856, 860; 2/46, 53-55, 122, 267, 268;  
450/54-57; 604/358, 385.07; D24/124

See application file for complete search history.

(56) **References Cited**

U.S. PATENT DOCUMENTS

168,063	A *	9/1875	Taylor	.....	220/62
1,272,684	A *	7/1918	Levi	.....	2/53
1,837,499	A *	12/1931	Sparhawk	.....	2/460
2,505,720	A	4/1950	Peiser, et al.		
2,748,771	A	6/1956	Richards		
2,897,821	A	8/1959	Lerner		
2,902,695	A *	9/1959	Werner	.....	2/268
3,257,666	A *	6/1966	Hoffman	.....	2/459
3,588,916	A *	6/1971	Glatt	.....	2/53
3,620,222	A	11/1971	Block		
4,227,536	A	10/1980	Shimenkov et al.		
D302,435	S *	7/1989	Pearse	.....	D17/20
4,892,534	A	1/1990	Datta et al.		
4,950,264	A	8/1990	Osborn, II		
5,009,653	A	4/1991	Osborn, II		
5,044,384	A *	9/1991	Hokama et al.	.....	132/200
5,147,347	A	9/1992	Huang et al.		
5,267,992	A	12/1993	Van Tilburg		
5,354,400	A	10/1994	Lavash et al.		
5,389,094	A	2/1995	Lavash et al.		
5,413,568	A	5/1995	Roach et al.		
5,462,166	A	10/1995	Minton et al.		
5,520,875	A	5/1996	Wnuk et al.		
5,569,231	A	10/1996	Emenaker et al.		
5,603,653	A	2/1997	Hartman		
5,620,430	A	4/1997	Bamber		

5,704,930	A	1/1998	Lavash et al.		
5,716,255	A	2/1998	Abercrombie		
5,782,671	A	7/1998	Suen et al.		
5,800,564	A	9/1998	Gelineau		
5,858,014	A	1/1999	Kepes et al.		
6,089,953	A	7/2000	Chen		
6,203,399	B1	3/2001	Hackney		
6,231,423	B1	5/2001	Deal et al.		
6,231,555	B1	5/2001	Lynard et al.		
6,341,377	B1	1/2002	Faries, Jr. et al.		
D458,712	S *	6/2002	Griffiths	.....	D29/100

(Continued)

FOREIGN PATENT DOCUMENTS

JP 2006328629 A \* 12/2006

*Primary Examiner*—Ian Simmons

*Assistant Examiner*—R. Johnson

(74) *Attorney, Agent, or Firm*—Schroeder & Siegfried P.A.

(57) **CLAIM**

The ornamental design for a breast perspiration pad, as shown in the drawings.

**DESCRIPTION**

FIG. 1 is a perspective view of a breast perspiration pad showing my new design;

FIG. 2 is a top plan view thereof;

FIG. 3 is a bottom plan view thereof;

FIG. 4 is a front elevational view thereof;

FIG. 5 is a rear elevational view thereof;

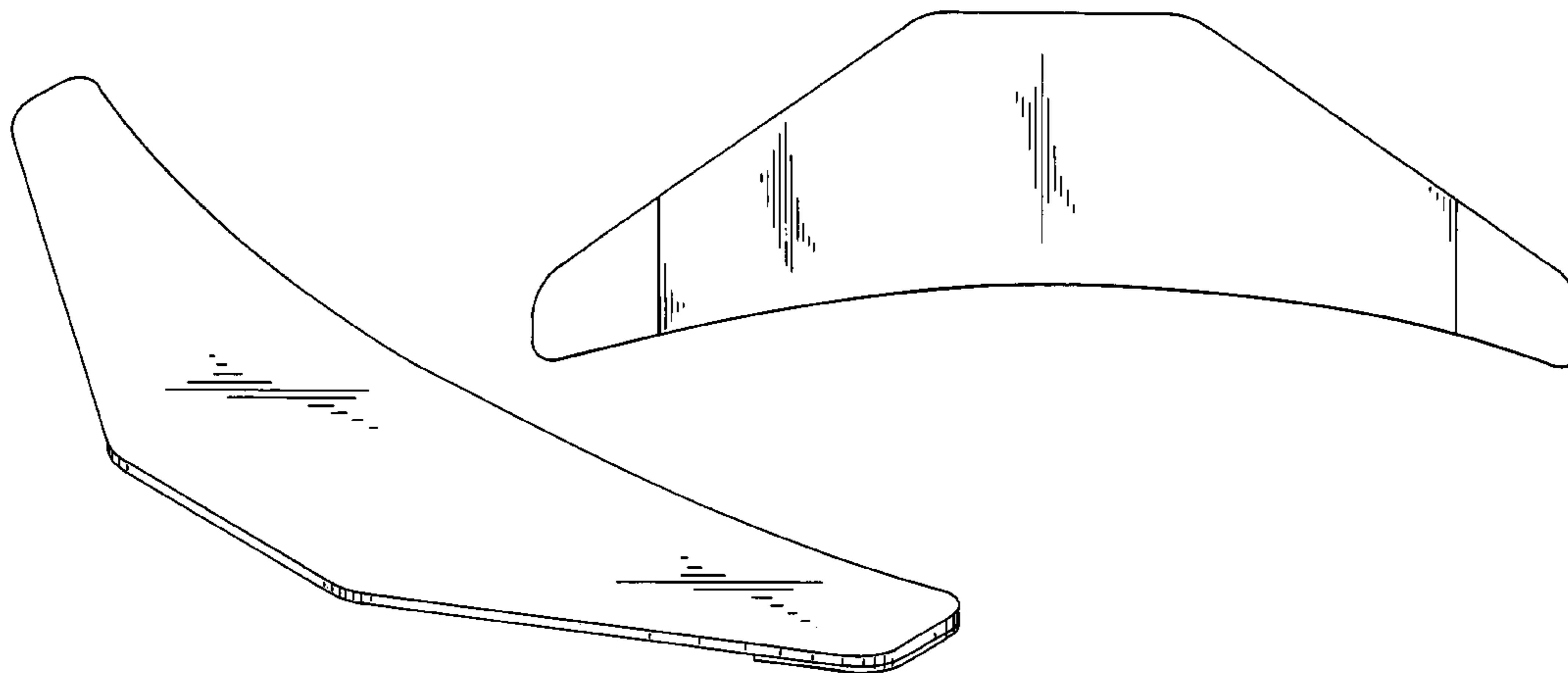
FIG. 6 is a left side elevational view thereof, the right side elevational view being the mirror image thereof;

FIG. 7 is a perspective view of a second embodiment of the breast perspiration pad; and,

FIG. 8 is a top plan view thereof.

The broken lines in FIG. 7 represent the portion of the design, which forms no part of the claim.

**1 Claim, 4 Drawing Sheets**



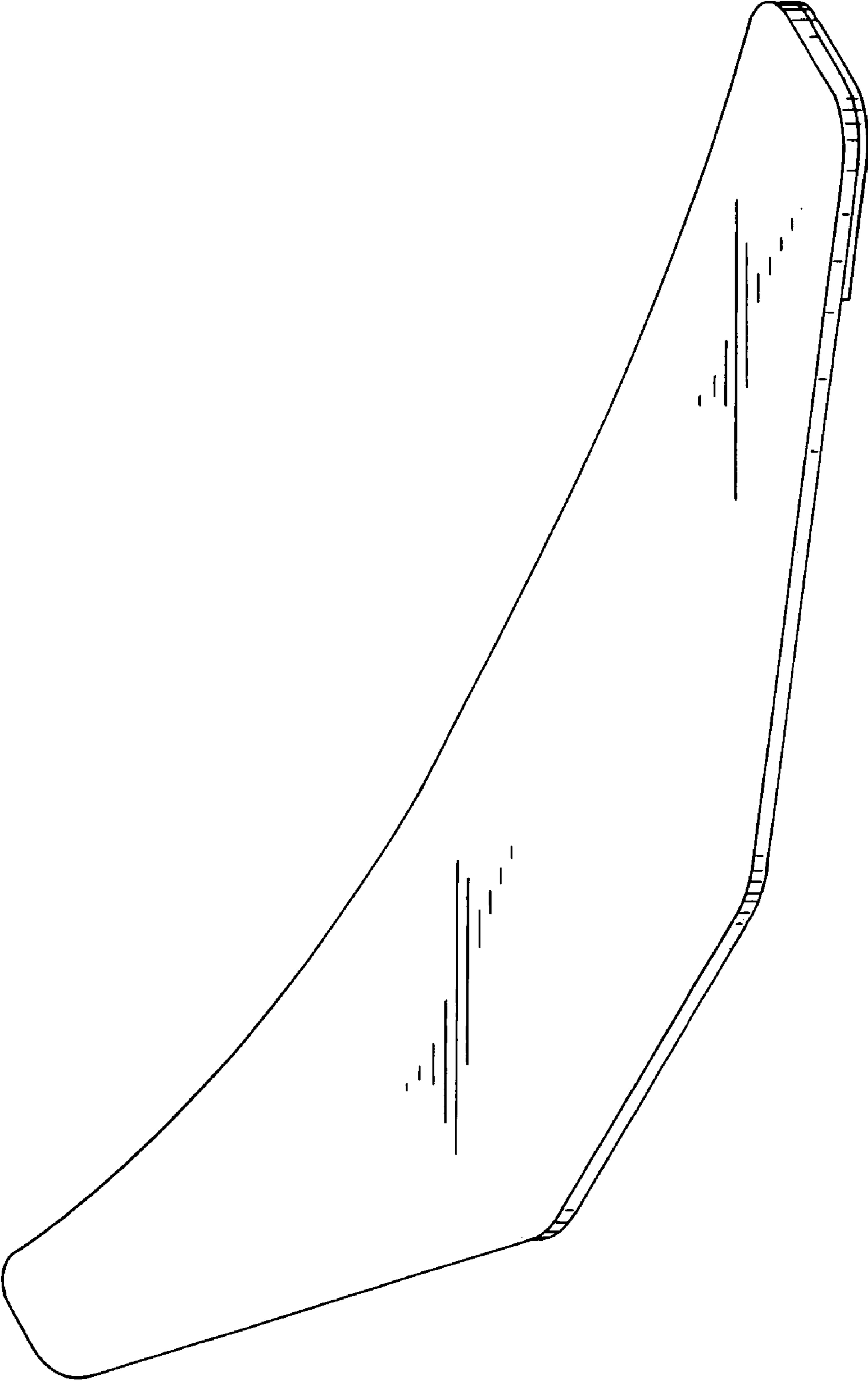
# US D616,631 S

Page 2

---

U.S. PATENT DOCUMENTS							
				7,229,335	B2	6/2007	Davis
				D555,329	S	11/2007	Valentin
6,406,353	B1	6/2002	Harper	D569,064	S *	5/2008	Hinder et al. .... D32/25
6,521,811	B1	2/2003	Lassen et al.	D607,179	S *	1/2010	Beyer et al. .... D1/199
6,787,210	B2 *	9/2004	Stickler ..... 428/41.7	2008/0004588	A1	1/2008	Gavitt
D504,201	S	4/2005	Ratcliffe				
D539,506	S *	4/2007	Valentin ..... D2/706				* cited by examiner

Fig. - 1



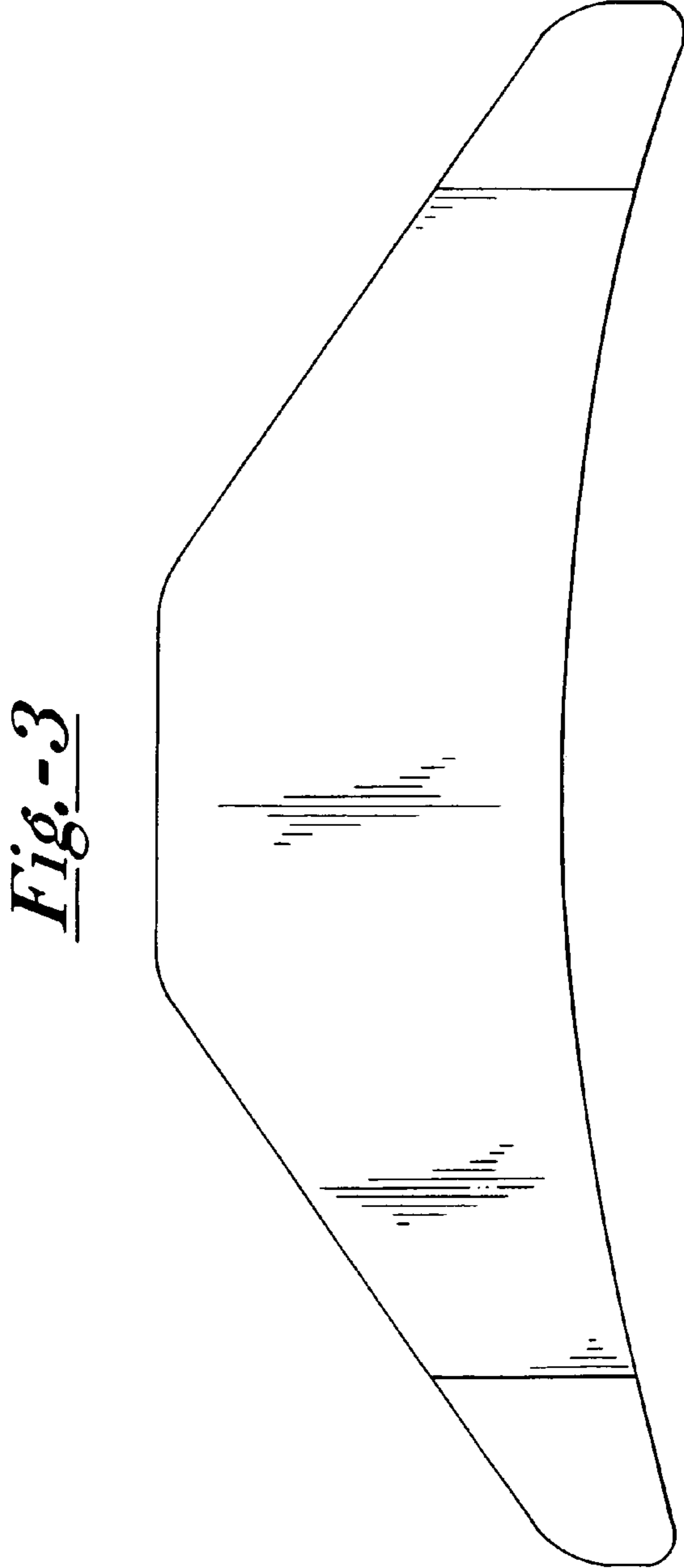
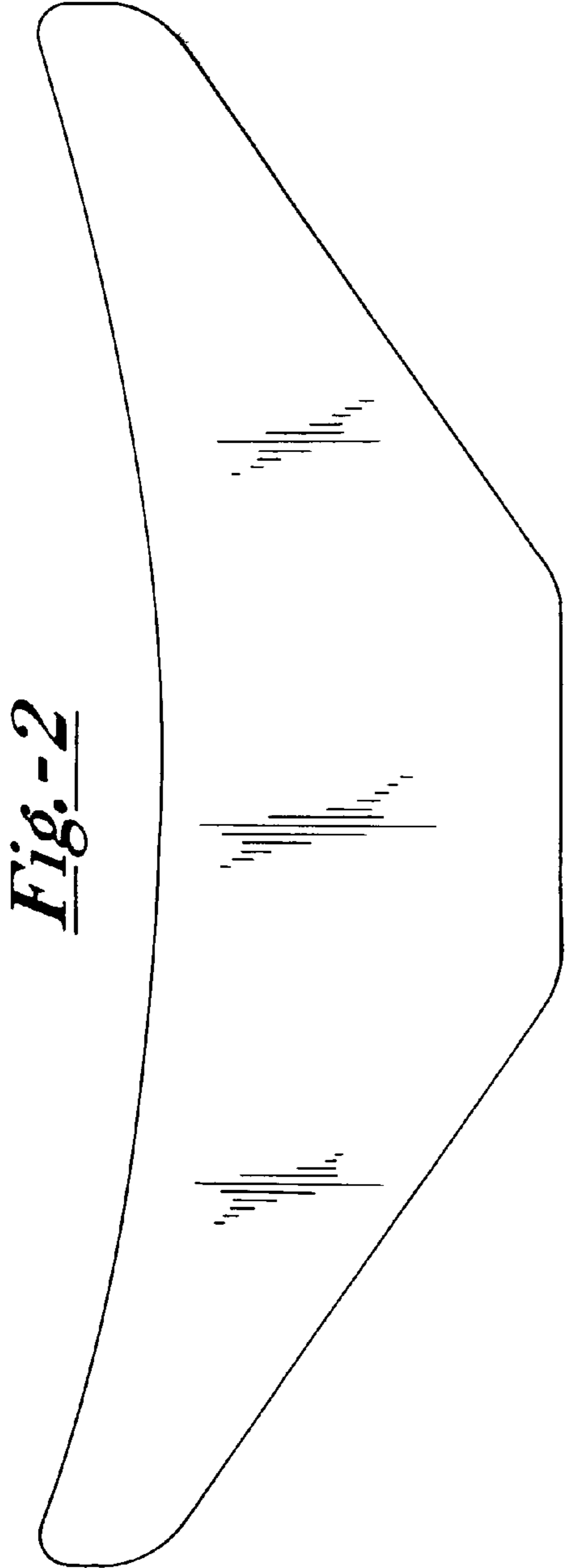


Fig. - 4

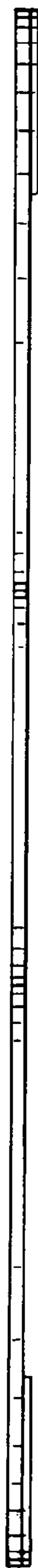


Fig. - 5



Fig. - 6



Fig.-7

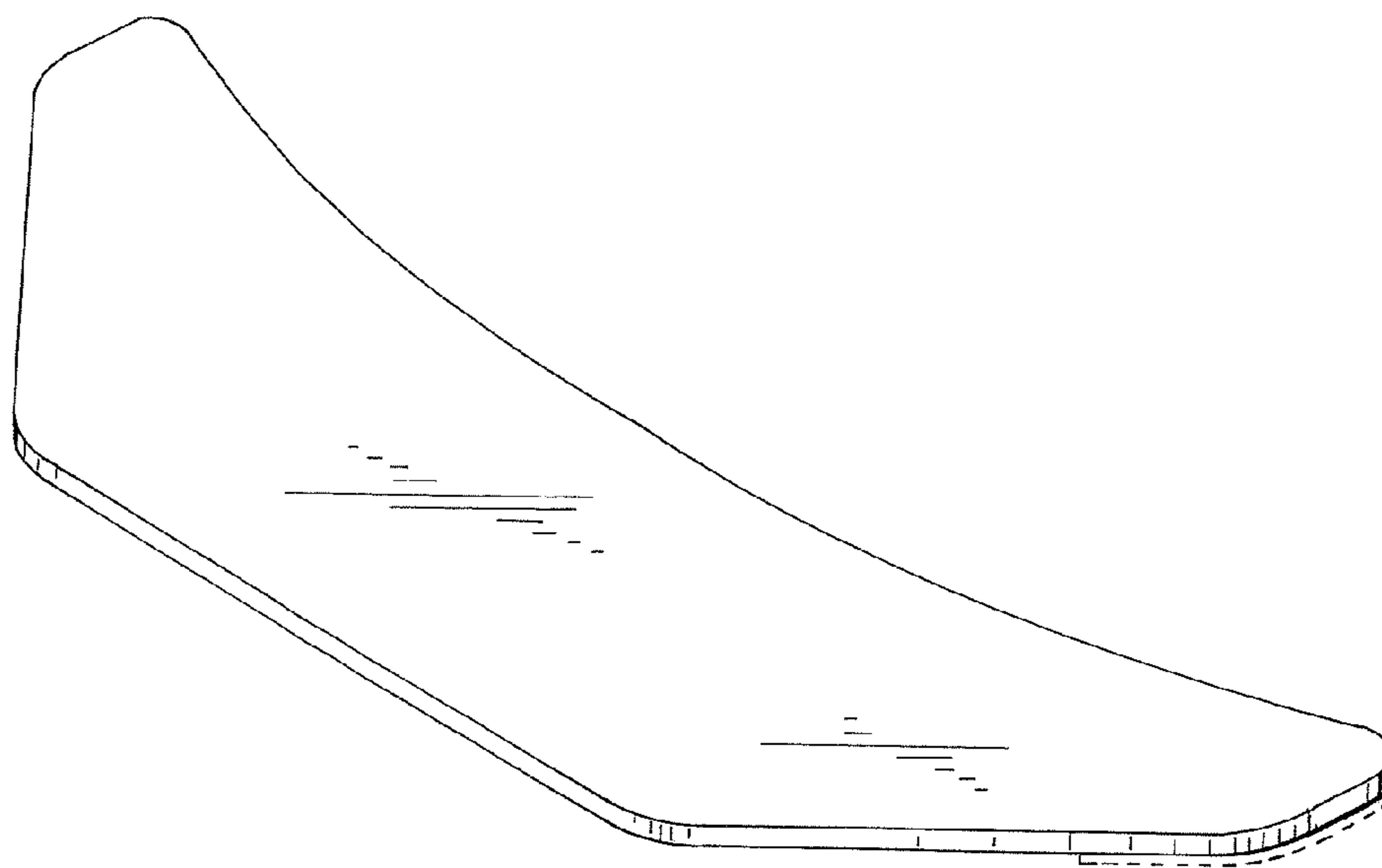


Fig.-8

