

US00D616623S

(12) **United States Design Patent**
Chu

(10) **Patent No.:** **US D616,623 S**

(45) **Date of Patent:** **** May 25, 2010**

(54) **TRASH RECEPTACLE**

(75) Inventor: **Frank Chu**, San Francisco, CA (US)

(73) Assignee: **Alternate Choice, LLC**, San Francisco, CA (US)

(**) Term: **14 Years**

(21) Appl. No.: **29/325,566**

(22) Filed: **Oct. 2, 2008**

(51) **LOC (9) Cl.** **09-09**

(52) **U.S. Cl.** **D34/5**

(58) **Field of Classification Search** D34/1,
D34/5, 6, 7, 8, 9, 10, 11; 220/908-913

See application file for complete search history.

(56) **References Cited**

U.S. PATENT DOCUMENTS

199,245 A	1/1878	Williamson et al.
D17,296 S	5/1887	Putnam et al.
512,261 A	1/1894	Nailor
540,530 A	6/1895	Willson
1,013,504 A	1/1912	McNamara
1,237,016 A	8/1917	Brown
1,772,176 A	8/1930	Benjamin
1,812,158 A	6/1931	Lewis
1,828,068 A	10/1931	Pringle
1,830,543 A	11/1931	Heise
1,999,289 A	4/1935	Glomb
D101,882 S	11/1936	Muzzo
D112,637 S	12/1938	Greier
2,255,428 A	9/1941	Leiman
2,279,026 A	4/1942	Tomsic
2,280,543 A	4/1942	Saunders
2,507,443 A	5/1950	Hunt
2,592,676 A	4/1952	Franklin
D171,420 S	2/1954	Panzer
2,786,595 A	3/1957	Nelson
2,910,073 A	10/1959	Lookholder
3,315,686 A	4/1967	Farhood
3,394,712 A	7/1968	Herr et al.
3,404,693 A	10/1968	Chapman
D220,017 S	2/1971	Laughlin

4,497,329 A	2/1985	O'Dell
D283,592 S	4/1986	Quarrell et al.
D289,722 S	5/1987	Neiser
D305,193 S	12/1989	Sajadieh
D327,965 S	7/1992	Chelec
D330,446 S	10/1992	Verzicco et al.
D331,824 S	12/1992	Haas
D372,146 S	7/1996	Svee
D373,217 S	8/1996	Adams et al.
5,601,095 A	2/1997	Bright
D381,782 S	7/1997	Bright
5,647,381 A	7/1997	Rainer
6,161,549 A	12/2000	Lee

(Continued)

Primary Examiner—Cynthia E Ramirez

(74) *Attorney, Agent, or Firm*—Levine Bagade Han LLP

(57) **CLAIM**

The ornamental design for a trash receptacle, as shown and described.

DESCRIPTION

FIG. 1 is a top front perspective view of a trash receptacle shown with a door in a closed position;

FIG. 2 is a front view thereof;

FIG. 3 is a left side view thereof;

FIG. 4 is a right side view thereof;

FIG. 5 is a back side view thereof;

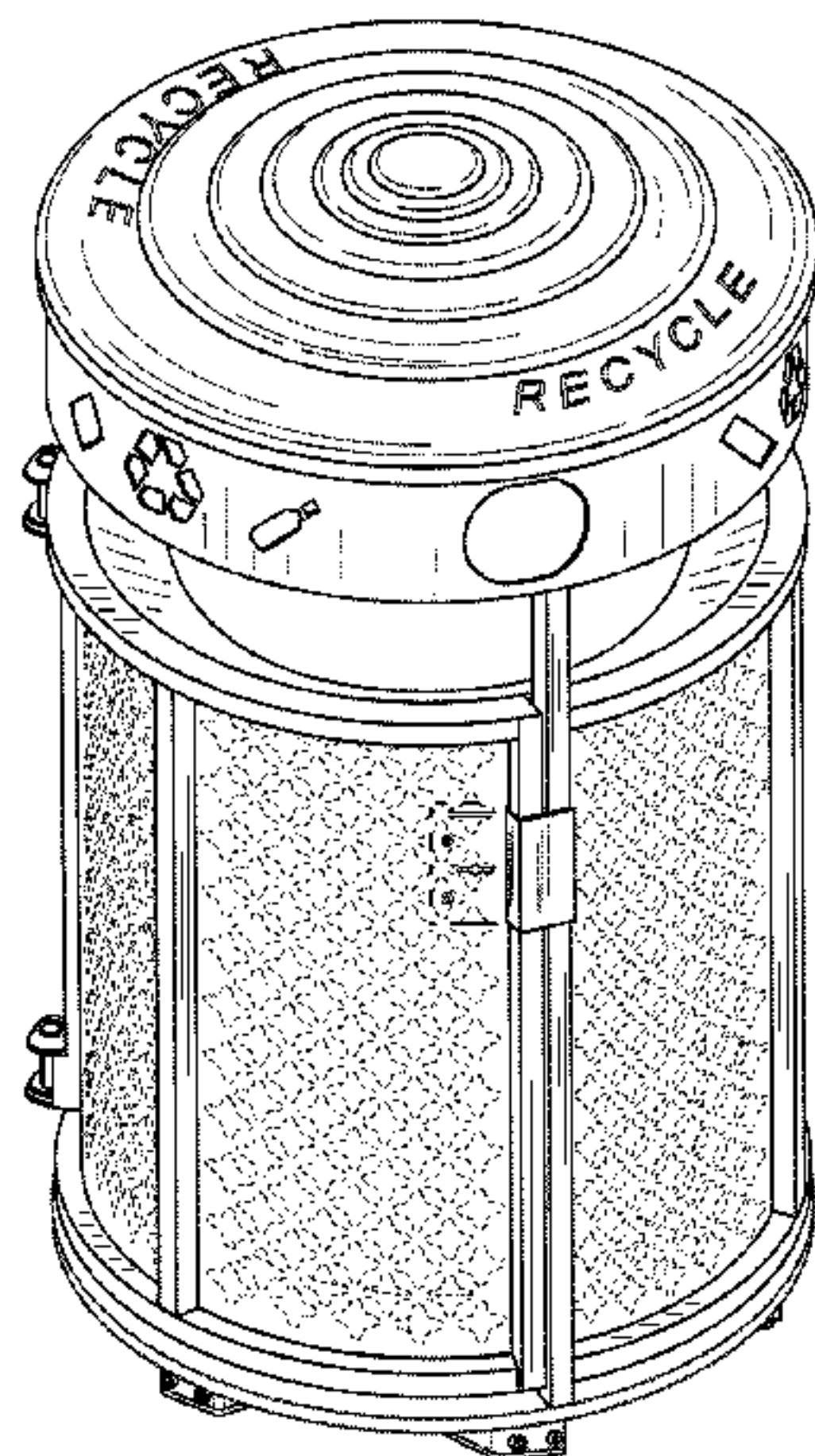
FIG. 6 is a top perspective view thereof, shown with the door in the open position;

FIG. 7 is a top view of FIGS. 1 through 5; and,

FIG. 8 is a bottom view of FIGS. 1 through 5.

All features illustrated in phantom line are expressly disclaimed and form no part of the claimed design.

1 Claim, 7 Drawing Sheets



US D616,623 S

Page 2

U.S. PATENT DOCUMENTS

D453,252 S	1/2002	Lin	D502,583 S	3/2005	Hardy et al.
6,345,725 B1	2/2002	Lin	D507,687 S	7/2005	Moon et al.
D462,997 S	9/2002	Slater et al.	D510,468 S	10/2005	Hardy et al.
D464,184 S	10/2002	Skalka	7,073,515 B2	7/2006	Mayfield et al.
D469,753 S	2/2003	Andre et al.	7,171,968 B1	2/2007	Olson
D472,355 S	3/2003	Keller	D540,620 S	4/2007	Bushkovsky
D476,454 S	6/2003	Skalka	D542,993 S	5/2007	Skalka
D476,455 S	6/2003	Skalka	D547,020 S	7/2007	Chen
D476,457 S	6/2003	Verbeek	D548,890 S	8/2007	Chen
D480,854 S	10/2003	Hardy et al.	D551,821 S	9/2007	Wang et al.
D480,856 S	10/2003	Hardy et al.	D559,494 S	1/2008	Yang et al.
D483,538 S	12/2003	Skalka	D562,521 S	2/2008	Renard
D484,639 S	12/2003	Fortner	D566,328 S	4/2008	Catron
D488,901 S	4/2004	Skalka	D573,769 S	7/2008	Skalka
D494,722 S	8/2004	Lin	2005/0005945 A1	1/2005	Shaw et al.
D496,139 S	9/2004	Hardy et al.	2005/0241655 A1	11/2005	Goldberg
D496,140 S	9/2004	Hardy et al.	2005/0274389 A1	12/2005	Keller
D497,231 S	10/2004	Hardy et al.	2006/0196924 A1	9/2006	Cabalu
			2007/0012326 A1	1/2007	Kerns
			2008/0029108 A1	2/2008	Catron et al.

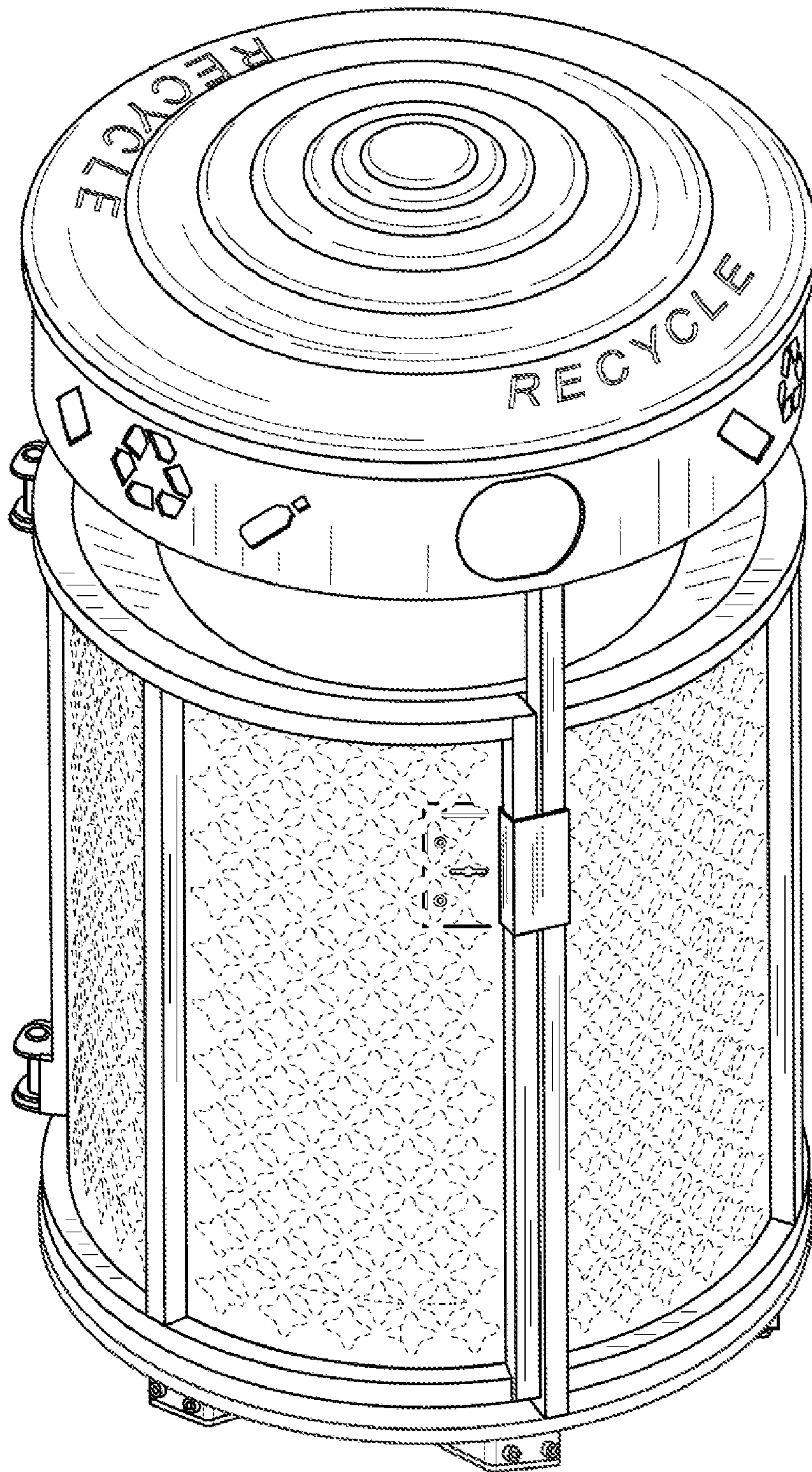


FIG. 1

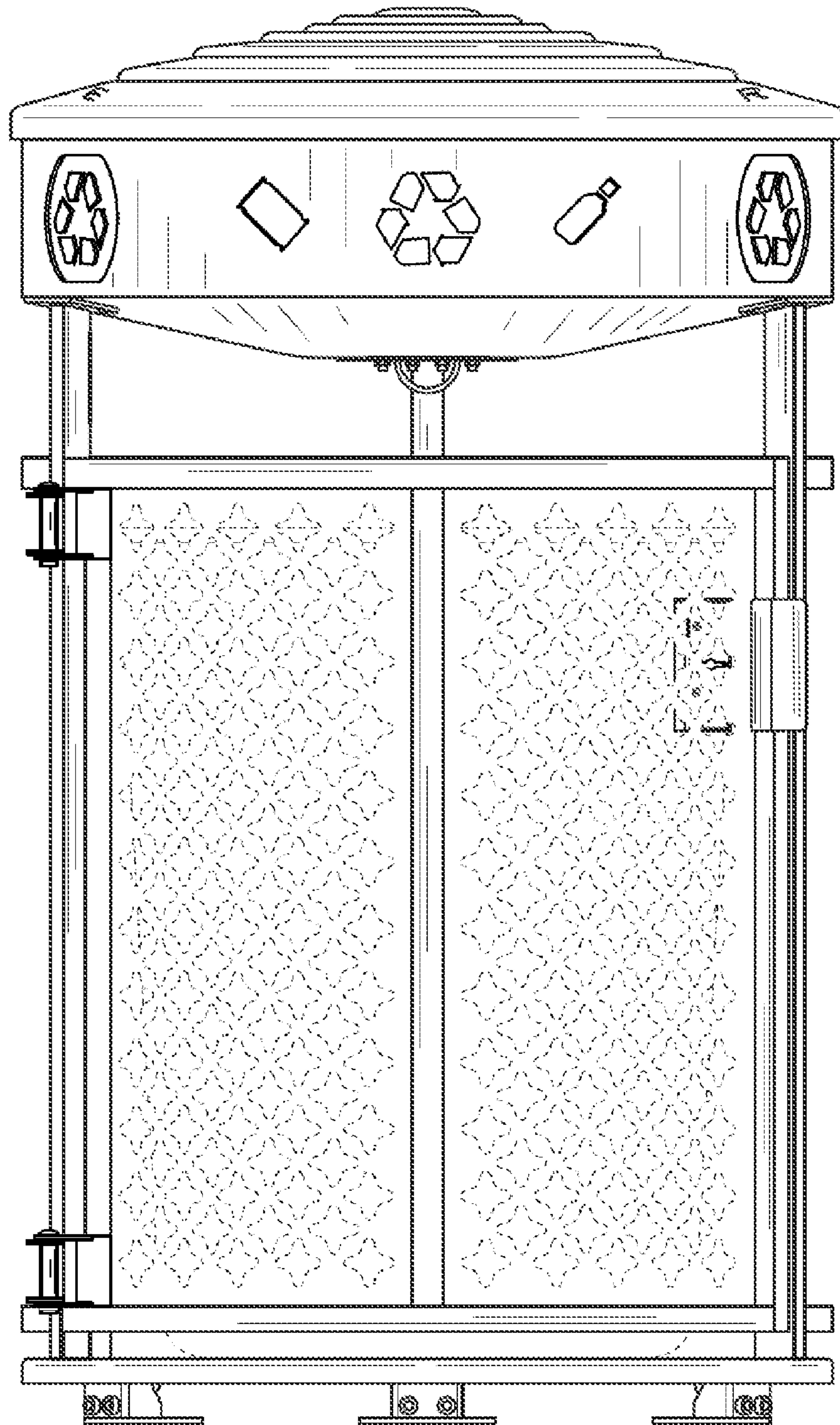


FIG. 2

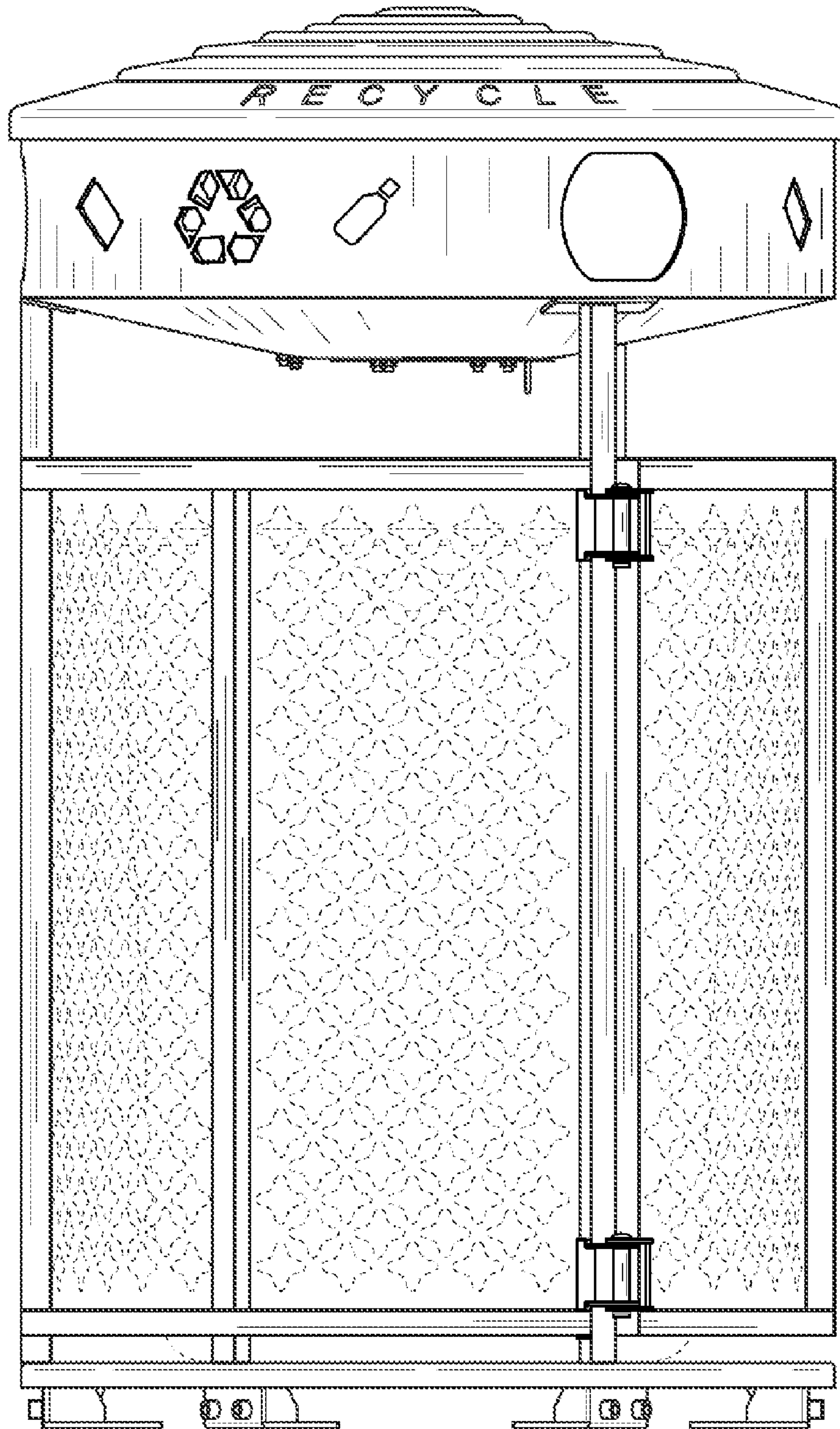


FIG. 3

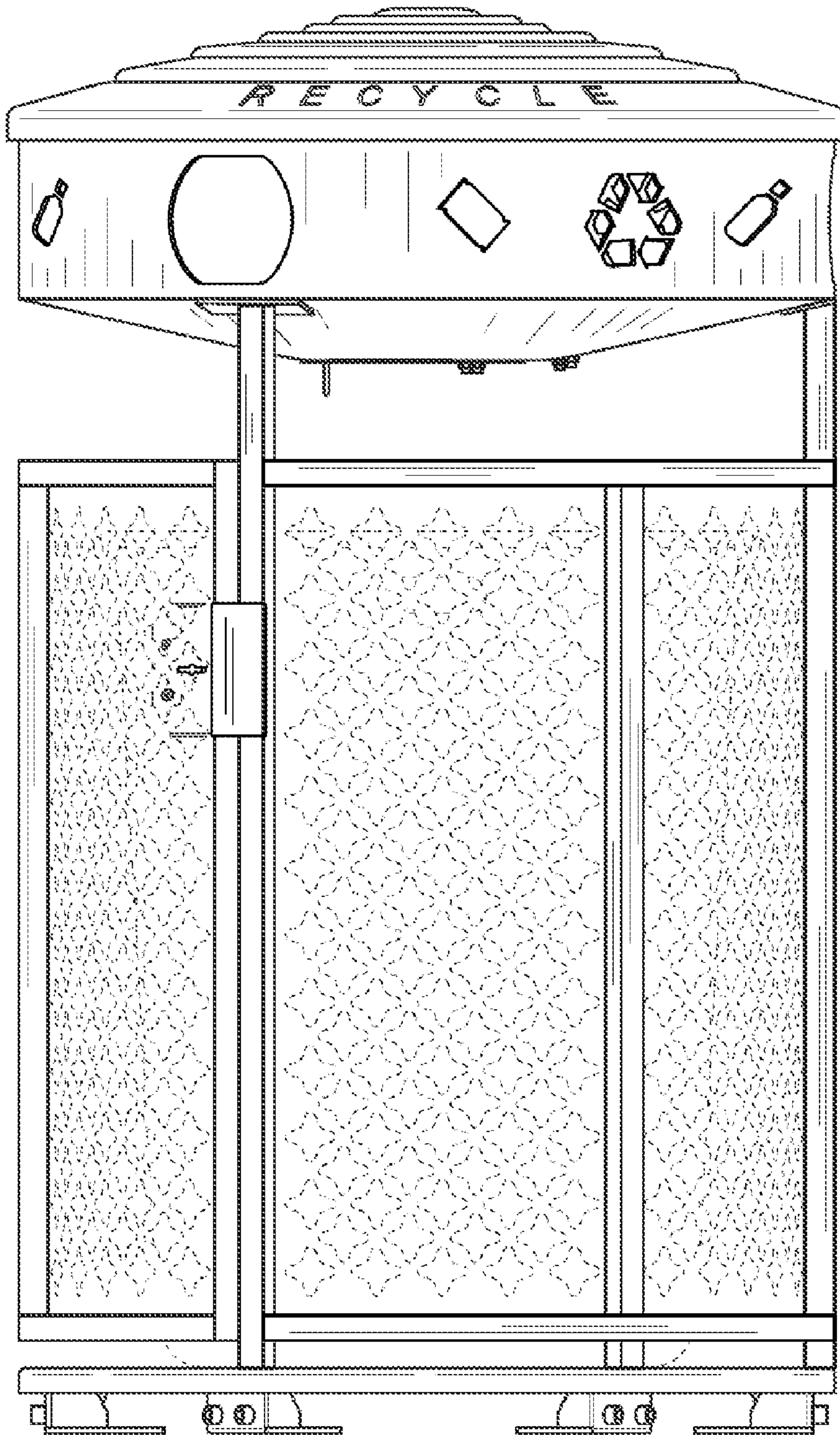


FIG. 4

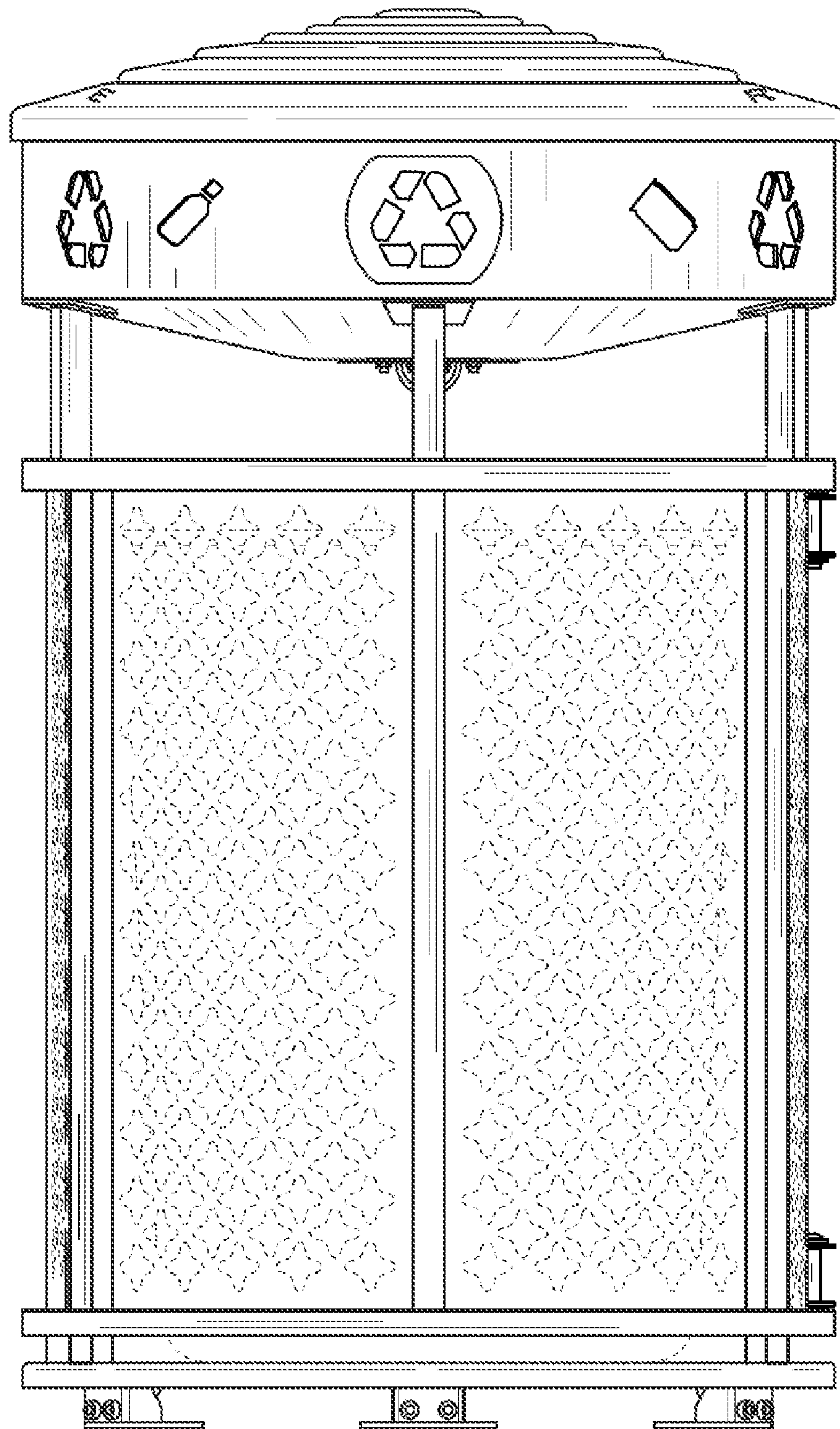


FIG. 5

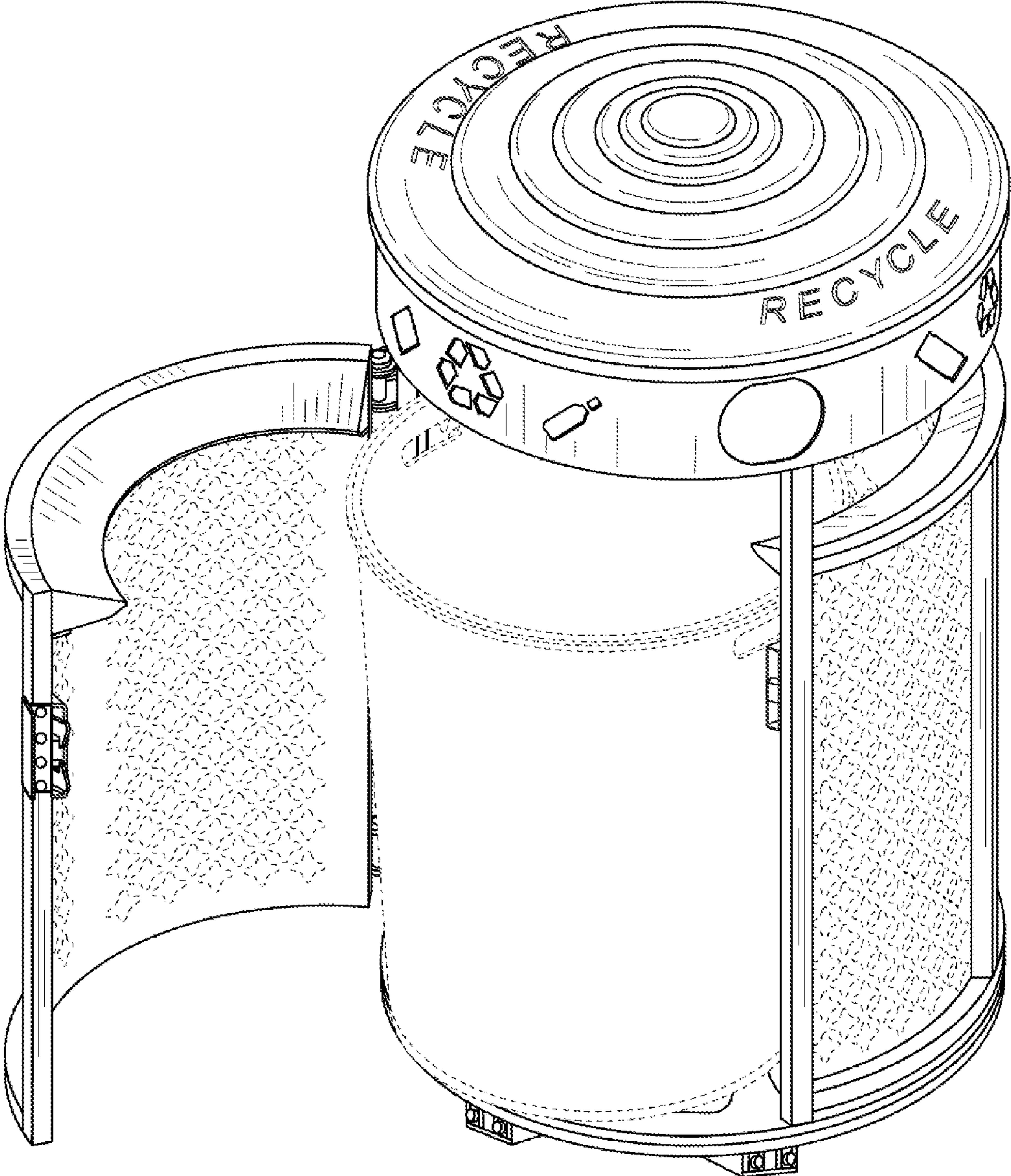


FIG. 6

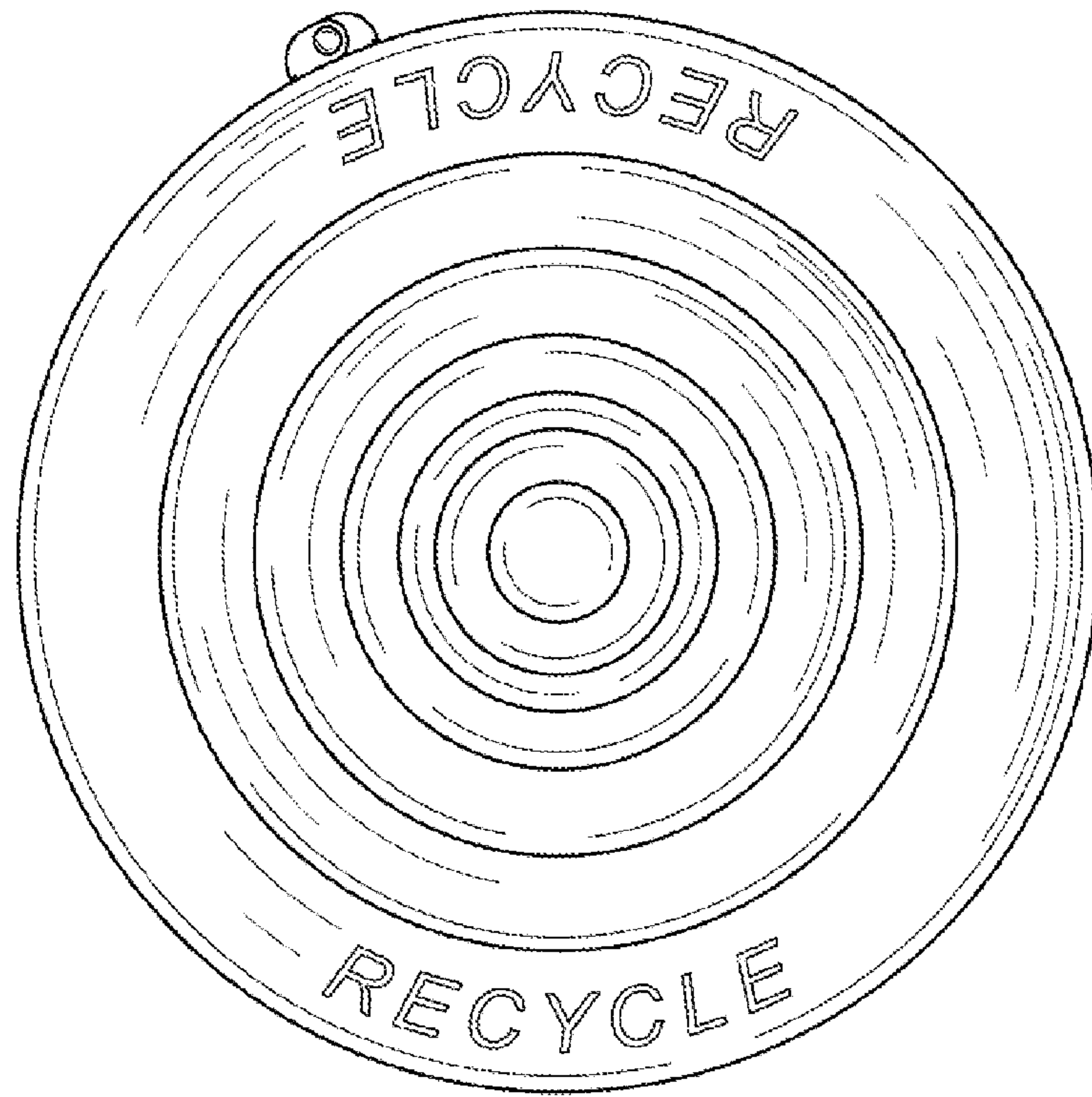


FIG. 7

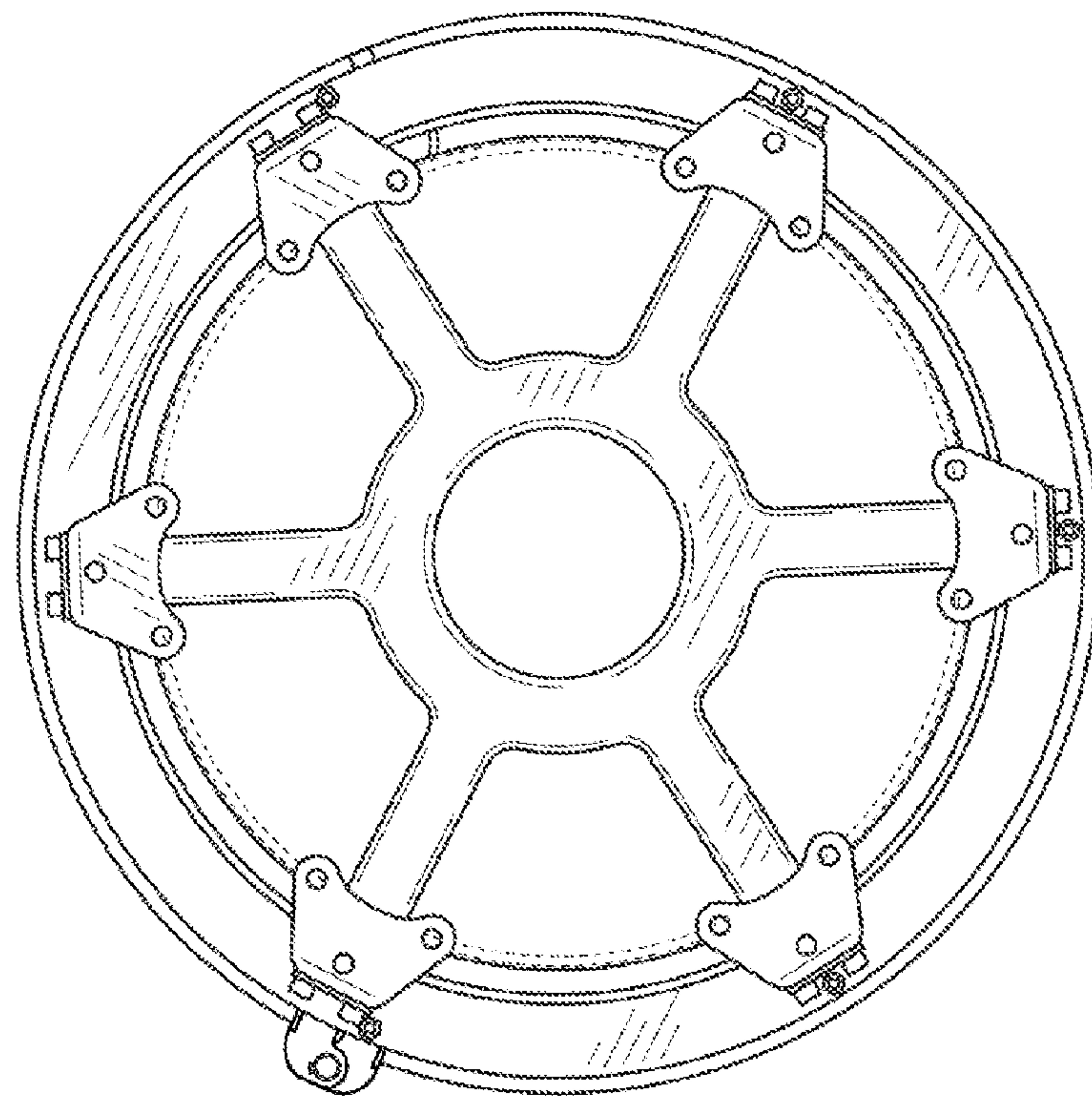


FIG. 8