

US00D616622S

(12) **United States Design Patent**  
**Memory et al.**

(10) **Patent No.:** **US D616,622 S**

(45) **Date of Patent:** **\*\* May 25, 2010**

(54) **WASTEBASKET**

(75) Inventors: **Susan H. Memory**, Richmond (CA);  
**Alex Feldman**, Vancouver (CA)

(73) Assignee: **Waste-Not-Basket, Inc.**, Richmond  
(CA)

(\*\*) Term: **14 Years**

(21) Appl. No.: **29/340,576**

(22) Filed: **Jul. 21, 2009**

(30) **Foreign Application Priority Data**

Jan. 27, 2009 (CA) ..... 129452  
Jan. 27, 2009 (CA) ..... 129453

(51) **LOC (9) Cl.** ..... **09-09**

(52) **U.S. Cl.** ..... **D34/1**

(58) **Field of Classification Search** ..... D34/1,  
D34/4, 5, 6; D32/53; D3/311, 313; 220/908-911,  
220/500; D9/341, 347, 431

See application file for complete search history.

(56) **References Cited**

**U.S. PATENT DOCUMENTS**

D223,402 S \* 4/1972 McGoff ..... D34/1  
D407,534 S 3/1999 Howard et al.  
6,024,240 A 2/2000 Howard et al.  
D430,372 S 8/2000 Howard et al.  
D446,374 S 8/2001 Howard et al.

D446,619 S 8/2001 Howard et al.  
D447,303 S 8/2001 Howard et al.  
D450,413 S 11/2001 Howard et al.  
D453,405 S 2/2002 Howard  
D477,122 S 7/2003 Howard  
D539,998 S \* 4/2007 Andrade ..... D34/3

\* cited by examiner

*Primary Examiner*—Cynthia E Ramirez

(74) *Attorney, Agent, or Firm*—Oyen Wiggs Green & Mutala  
LLP

(57) **CLAIM**

The ornamental design for a wastebasket, as shown and  
described.

**DESCRIPTION**

FIG. 1 is top, side and front perspective view of a wastebasket  
showing our new design;

FIG. 2 is a further top perspective view thereof;

FIG. 3 is a bottom perspective view thereof;

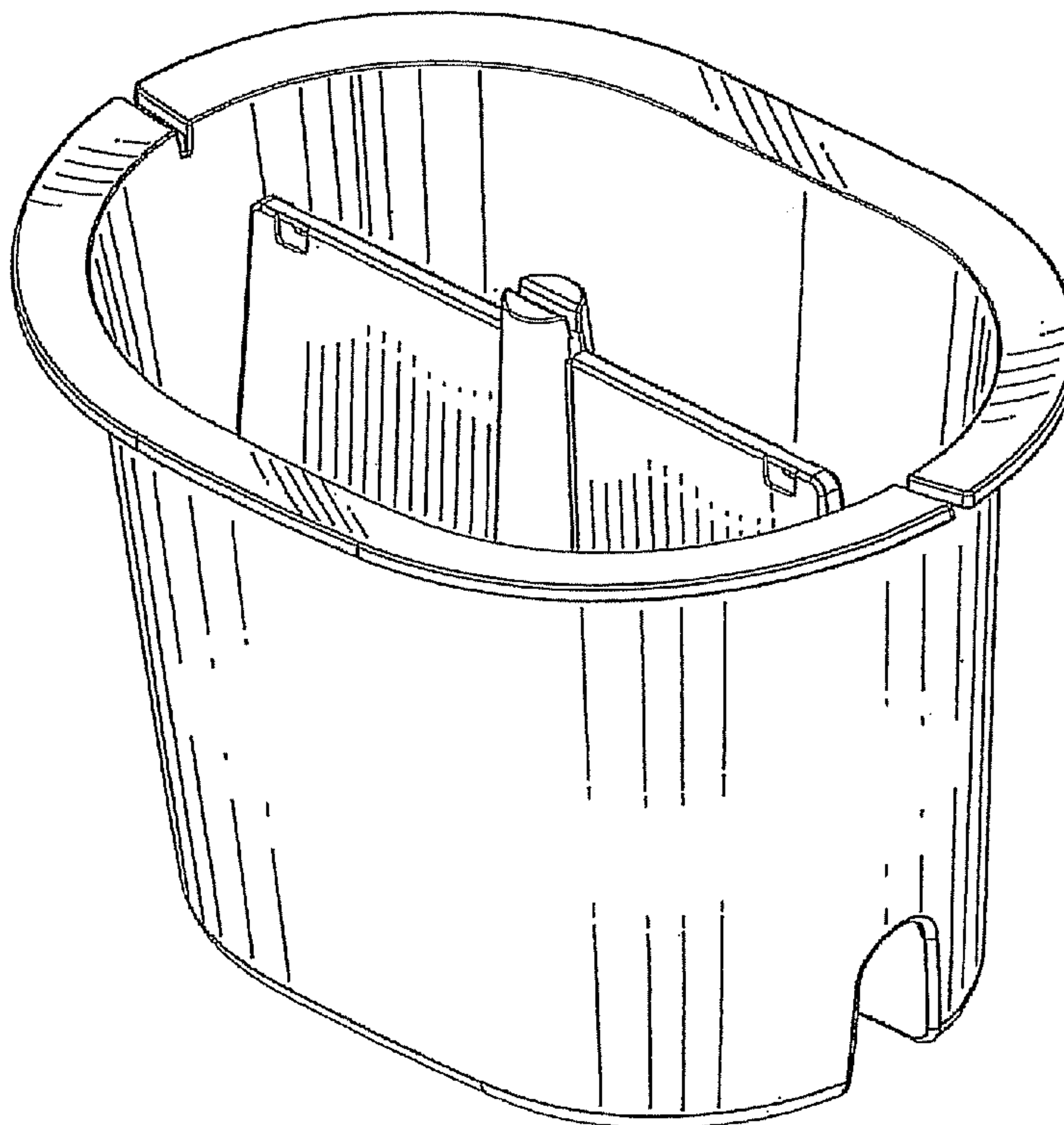
FIG. 4 is a front elevation view thereof, with the rear being  
identical;

FIG. 5 is a right side elevation view thereof, with the left side  
being identical;

FIG. 6 is a top plan view thereof; and,

FIG. 7 is a bottom plan view thereof.

**1 Claim, 7 Drawing Sheets**



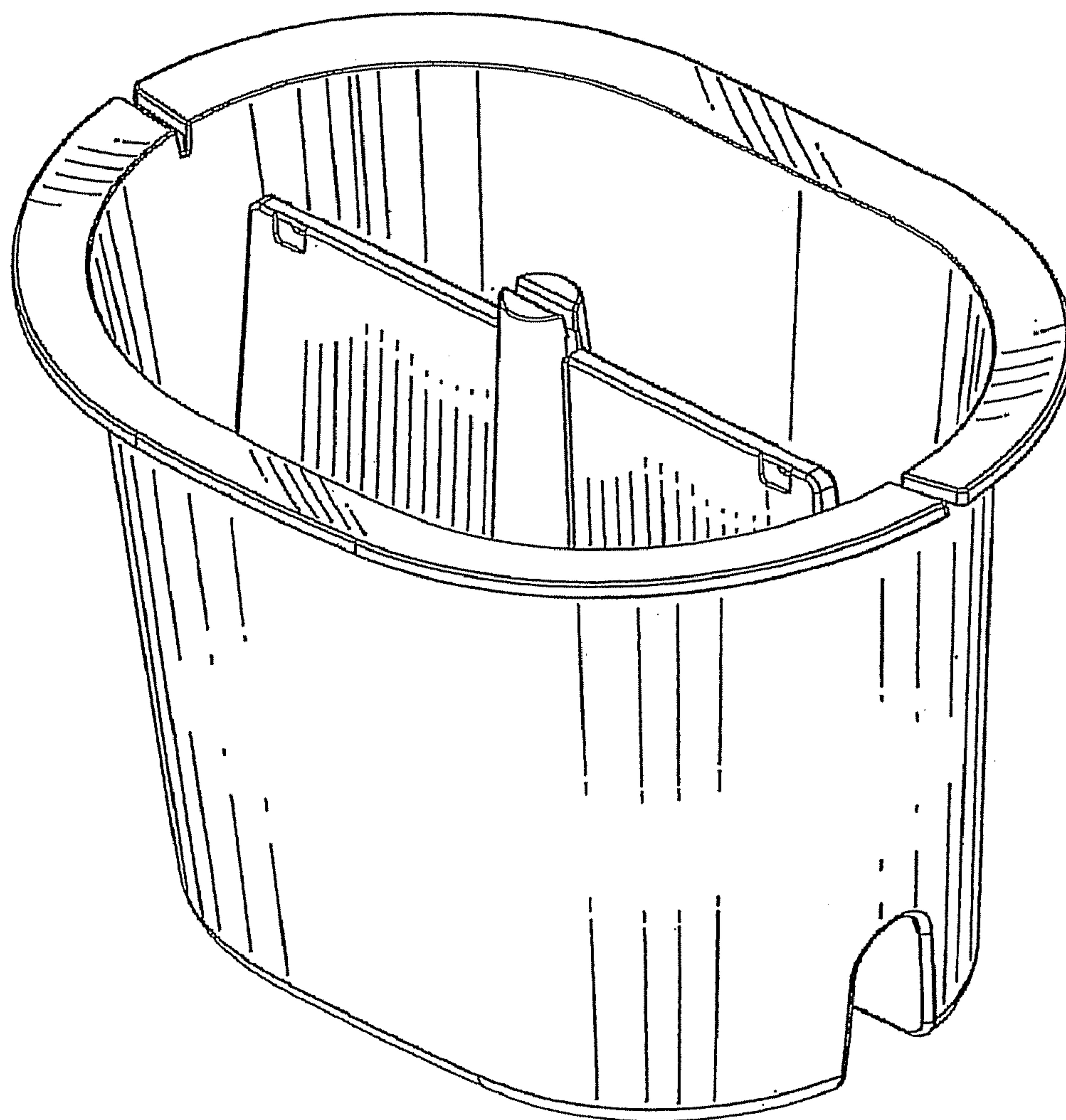


FIG. 1

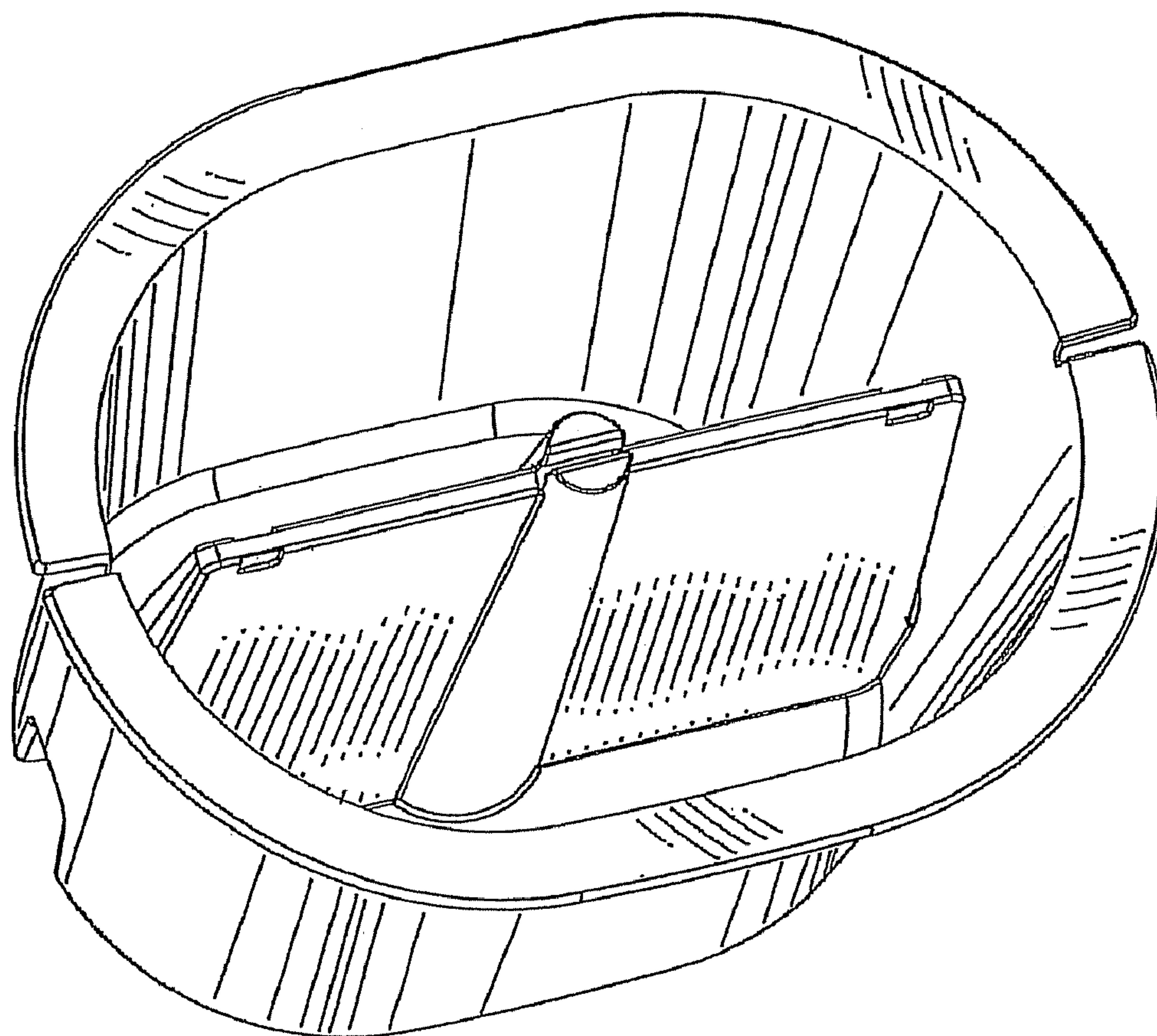


FIG. 2



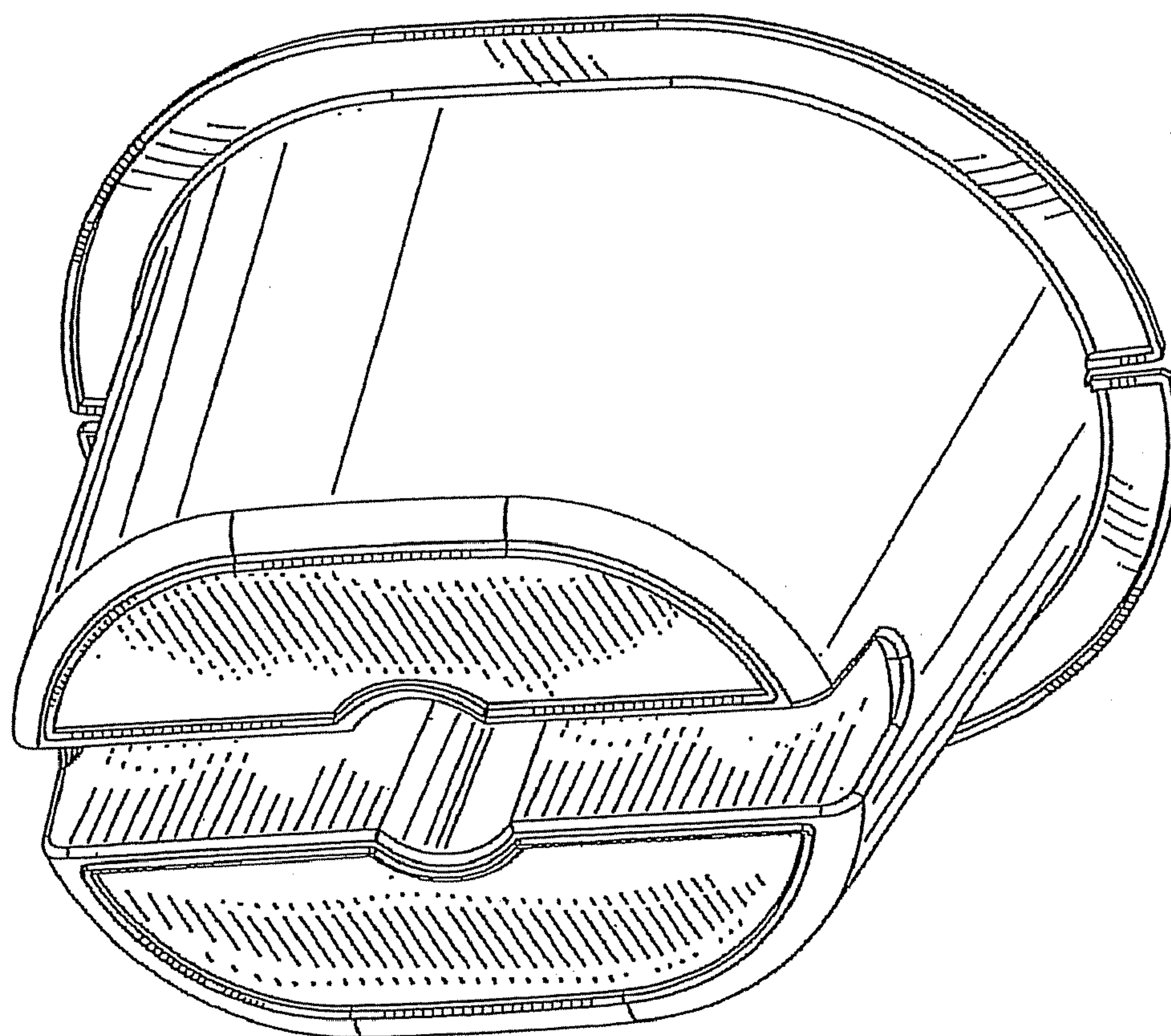


FIG. 3

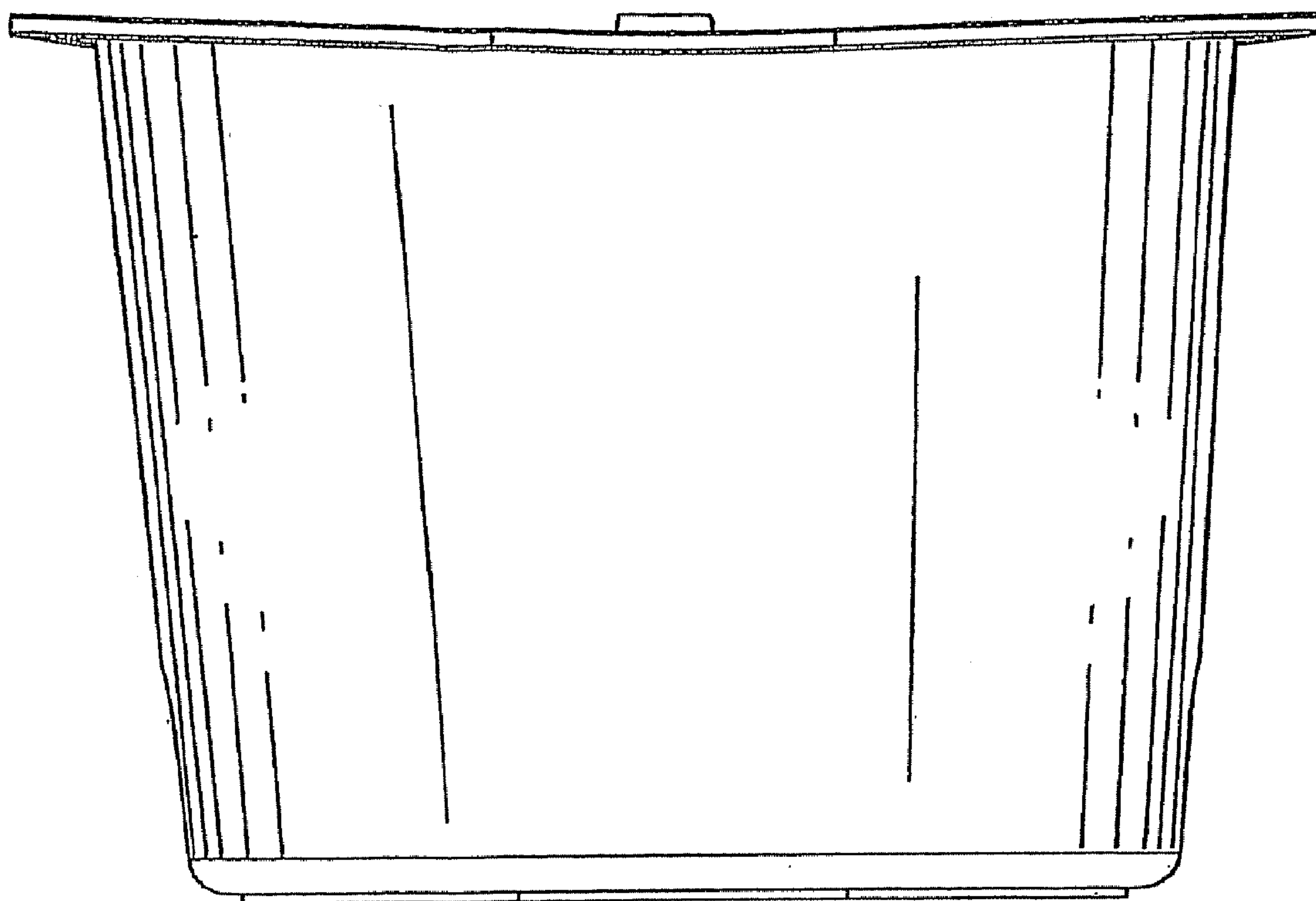


FIG. 4

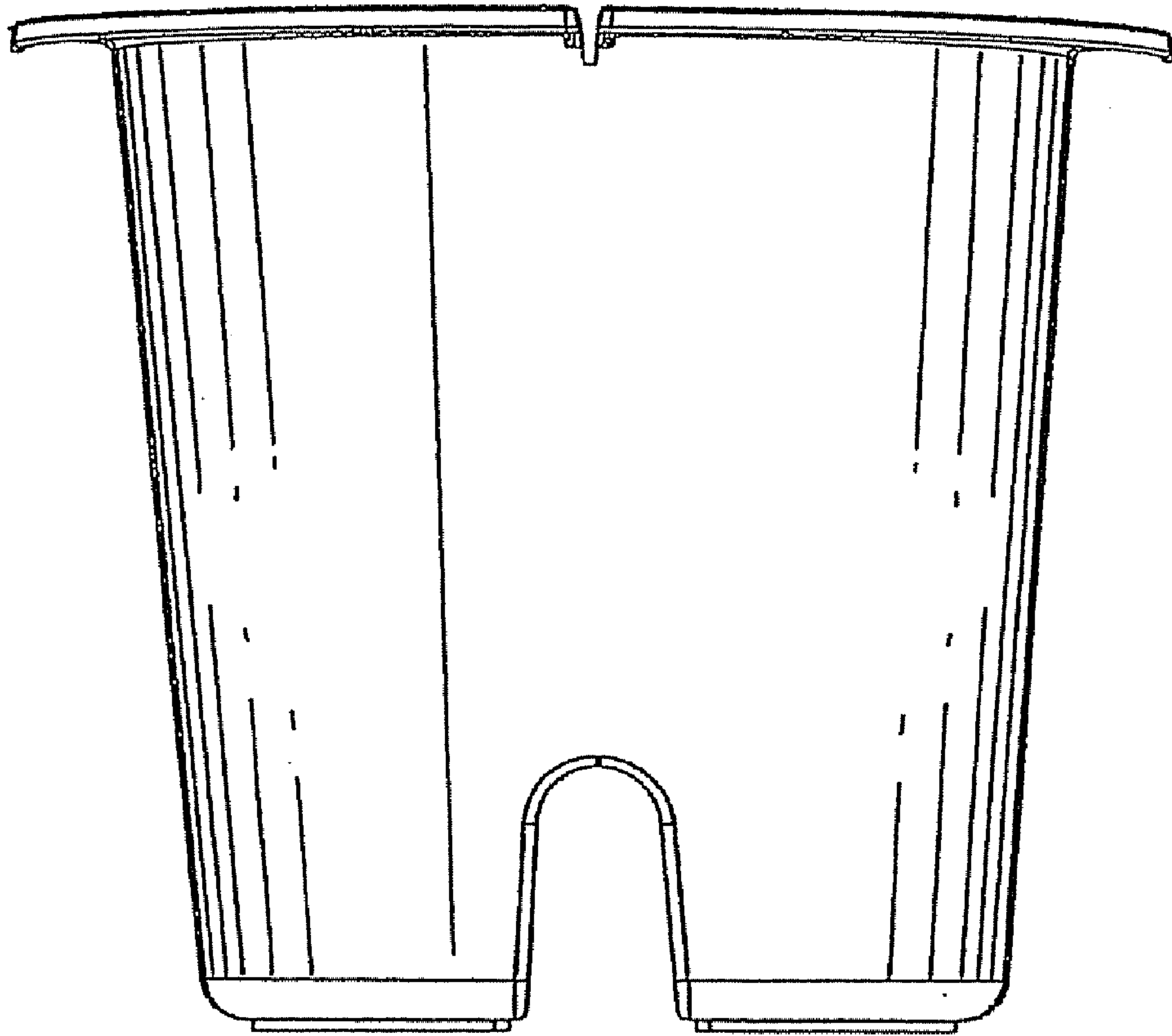


FIG. 5

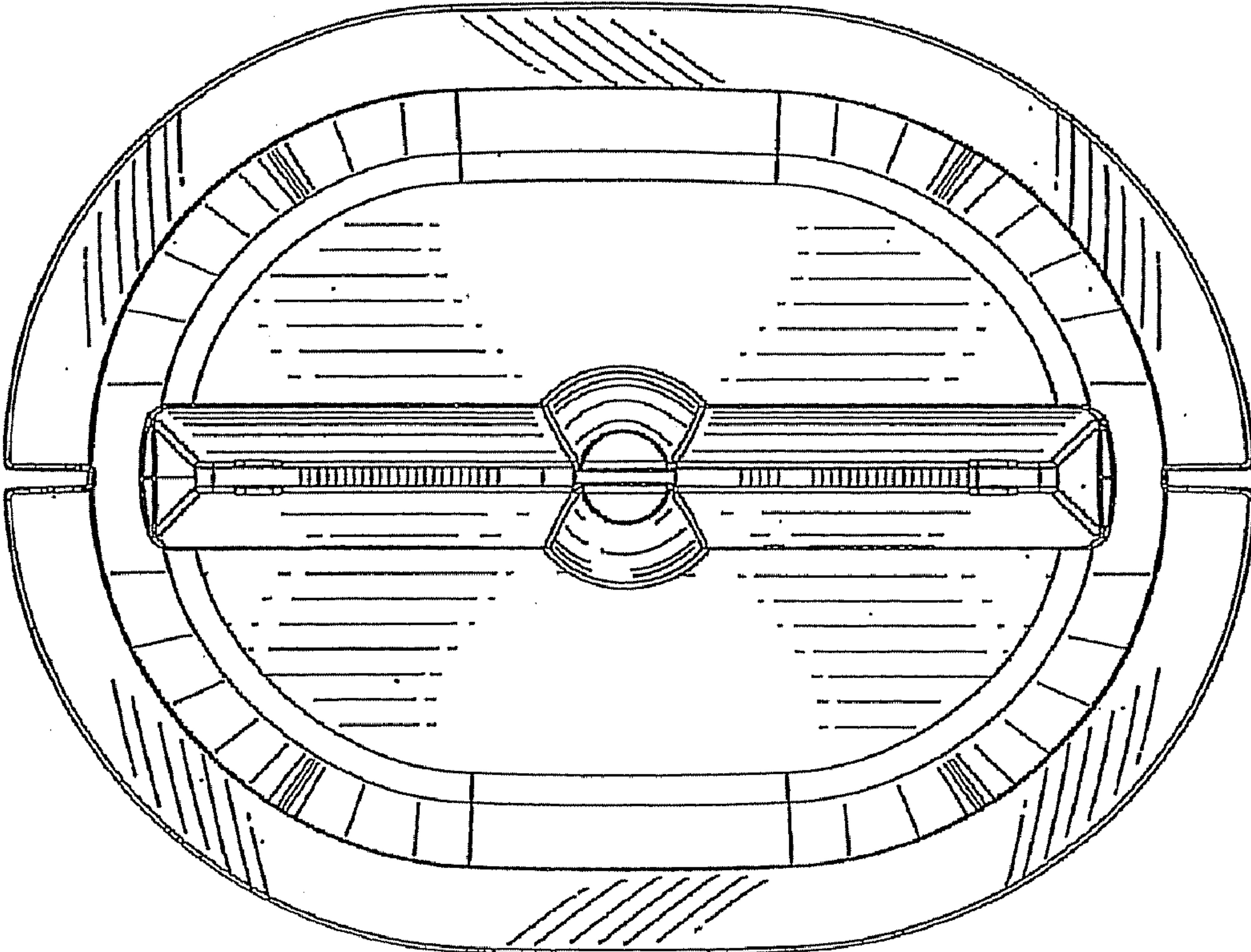


FIG. 6

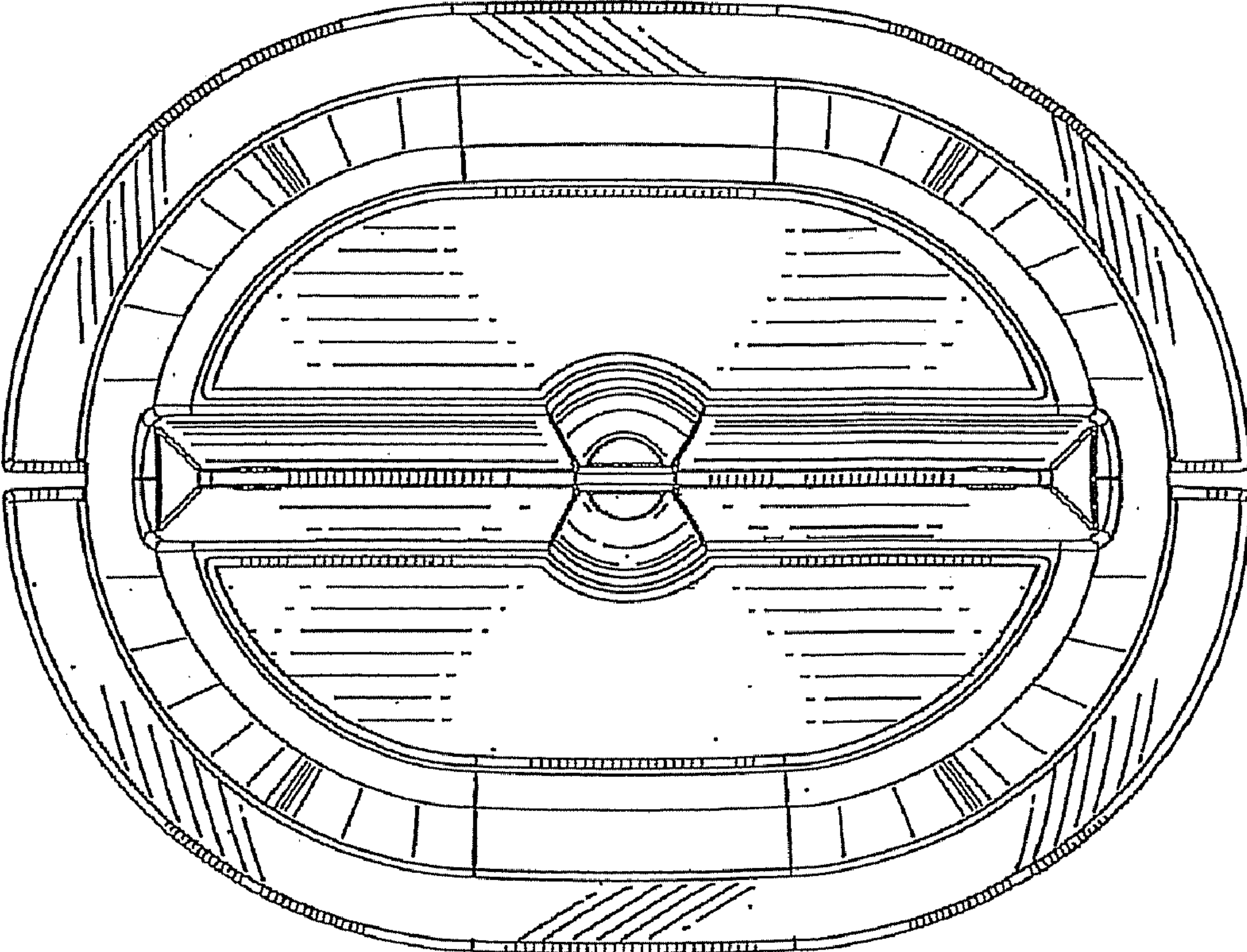


FIG. 7