



US00D616620S

(12) **United States Design Patent**
Carroll et al.

(10) **Patent No.:** **US D616,620 S**
(45) **Date of Patent:** **** May 25, 2010**

(54) **VERTICALLY EXTENDABLE STORAGE BUCKET**

Primary Examiner—Robin V Webster
(74) *Attorney, Agent, or Firm*—John D. Gugliotta, PE, Esq

(75) Inventors: **Troy Carroll**, Cypress, TX (US);
Charles Conner, Cypress, TX (US)

(57) **CLAIM**

(73) Assignee: **TCR Products, LLC**, Sugar Land, TX (US)

The ornamental design for a vertically extendable storage bucket, as shown and described.

(**) Term: **14 Years**

DESCRIPTION

(21) Appl. No.: **29/339,252**

FIG. 1 is a perspective view of a vertically extendable storage bucket showing our new design, wherein the container is resting at a lower position and the handle is telescoped upward thereof;

(22) Filed: **Jun. 26, 2009**

(51) **LOC (9) Cl.** **07-07**

(52) **U.S. Cl.** **D32/53; D34/24**

(58) **Field of Classification Search** D32/53,
D32/53.1, 54; 220/904, 4.03, 4.27; 15/260,
15/263, 264, 257.06; D34/24; 280/47.18,
280/47.26

FIG. 2 is a perspective view wherein the container is vertically adjusted to an upper position and handle is telescoped upward thereof;

See application file for complete search history.

FIG. 3 is a rear elevational view wherein the container is vertically adjusted to an upper position and the handle is retracted downward to a minimum profile thereof;

(56) **References Cited**

U.S. PATENT DOCUMENTS

5,082,135	A *	1/1992	DeCoster	220/694
D331,651	S *	12/1992	Nilson	D34/5
6,715,627	B1 *	4/2004	Bonner et al.	220/4.27
6,851,566	B1	2/2005	Bonner		
6,886,703	B1	5/2005	Bonner		
D547,514	S *	7/2007	Zak	D32/53
D577,169	S *	9/2008	Zak	D32/53
7,431,313	B1 *	10/2008	Torres et al.	280/47.26
7,438,300	B1 *	10/2008	Zien et al.	280/79.5
7,467,801	B1 *	12/2008	Garduno	280/47.26
7,559,559	B2 *	7/2009	Vanderberg et al.	280/47.26

FIG. 4 is a left side elevational view, opposite side being a mirror image, wherein the container is vertically adjusted to an upper position and the handle is retracted downward to a minimum profile thereof;

FIG. 5 is a rear elevational view wherein the container is resting at a lower position and the handle is telescoped upward thereof;

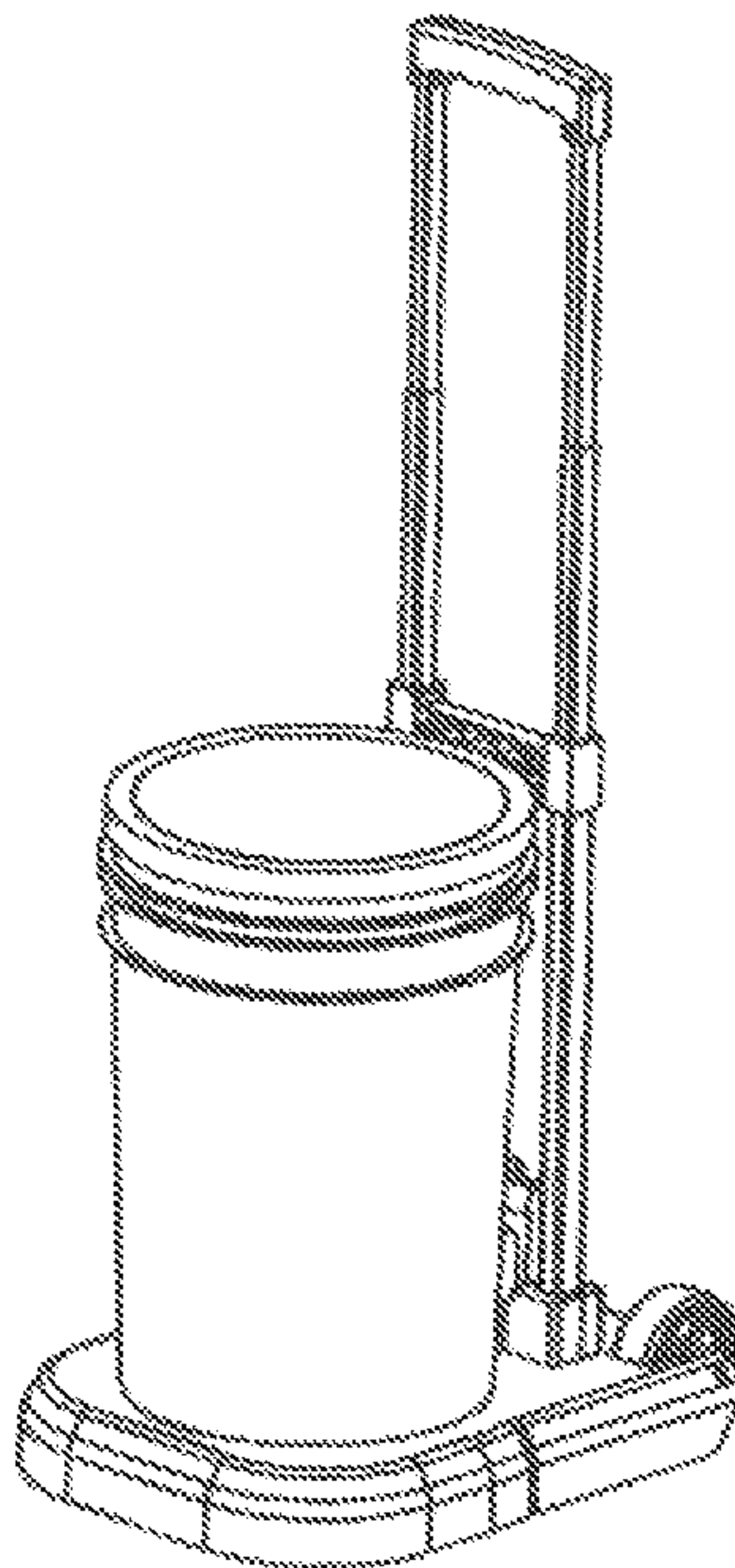
FIG. 6 is a left side elevational view, opposite side being a mirror image, wherein the container is resting at a lower position and the handle is telescoped upward thereof;

FIG. 7 is an enlarged top plan view, and,

FIG. 8 is an enlarged bottom plan view thereof.

* cited by examiner

1 Claim, 4 Drawing Sheets



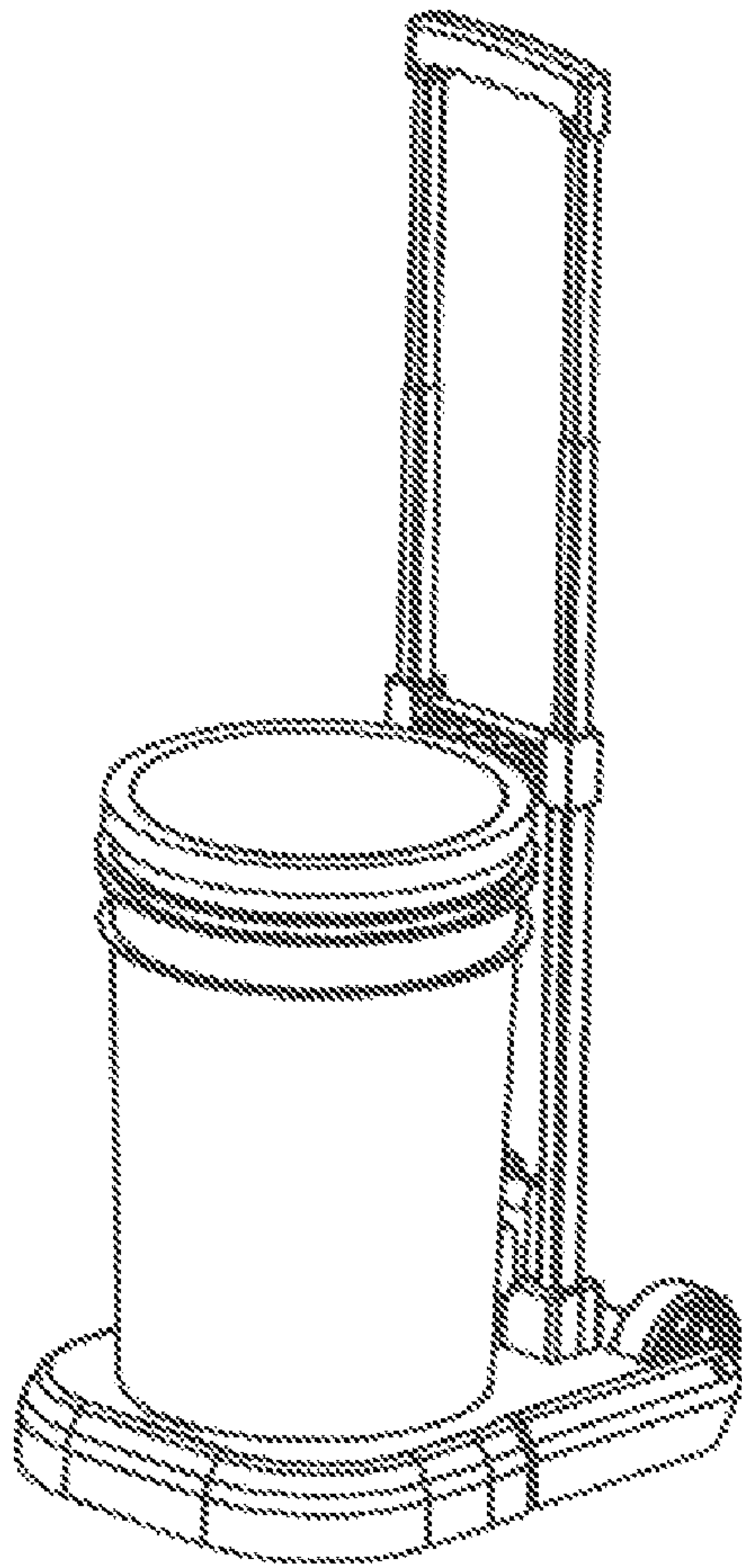


FIG. 1

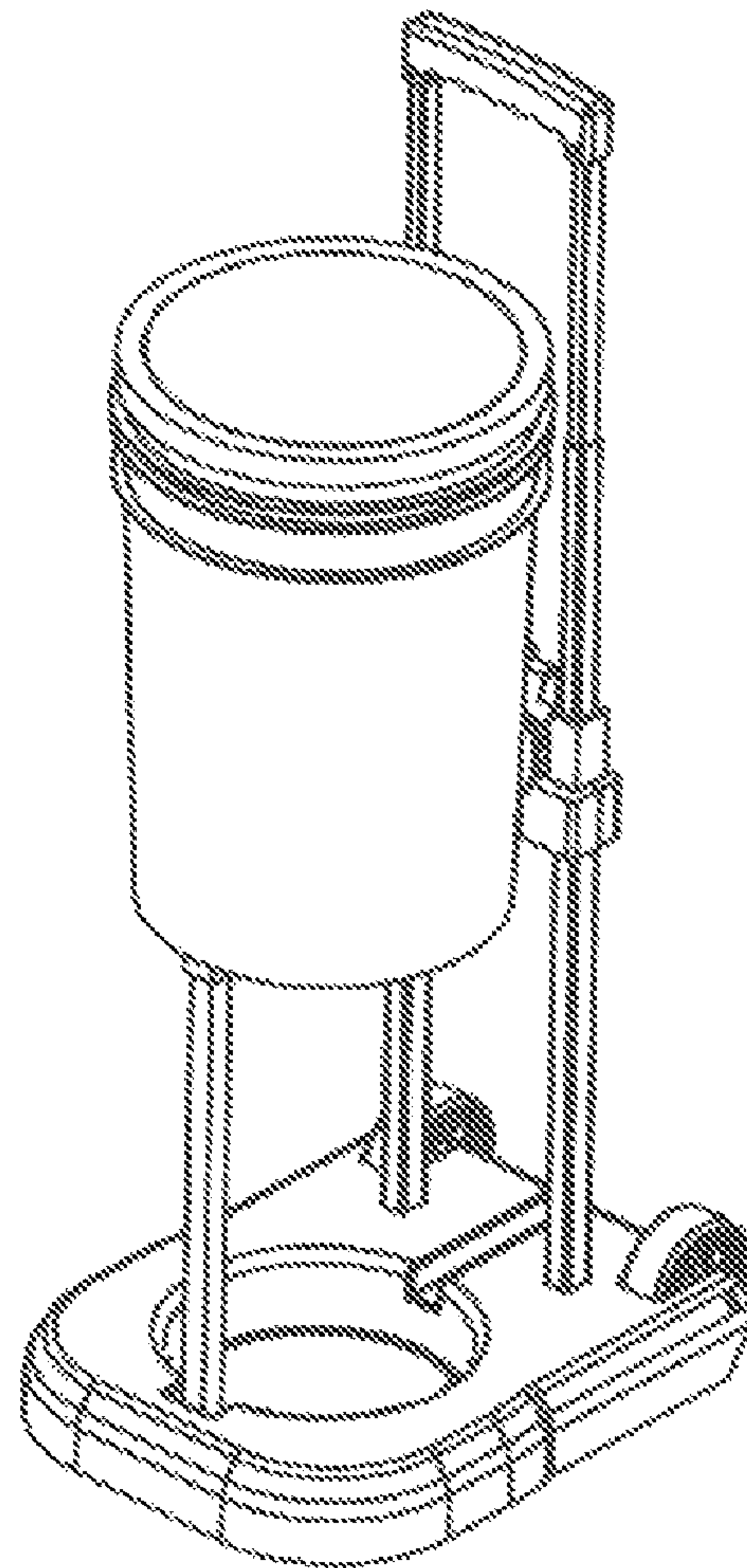


FIG. 2

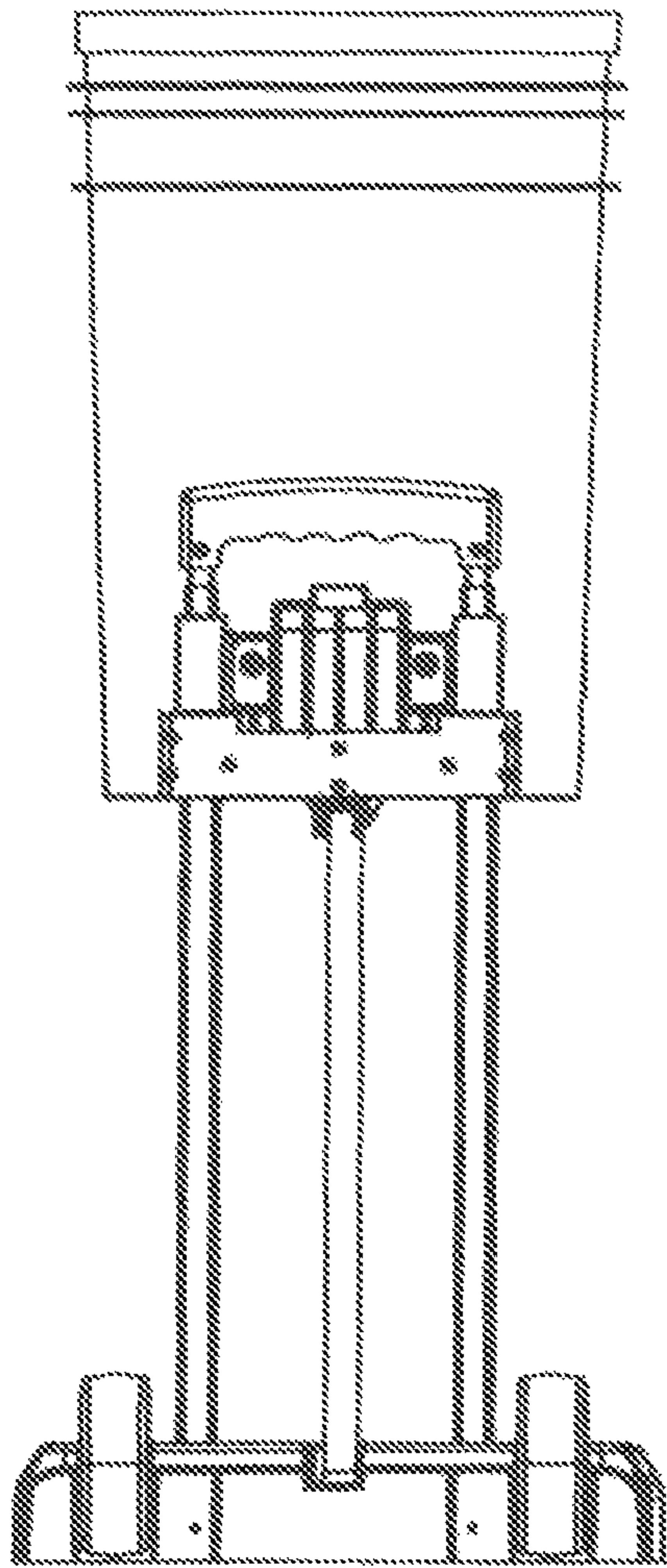


FIG. 3

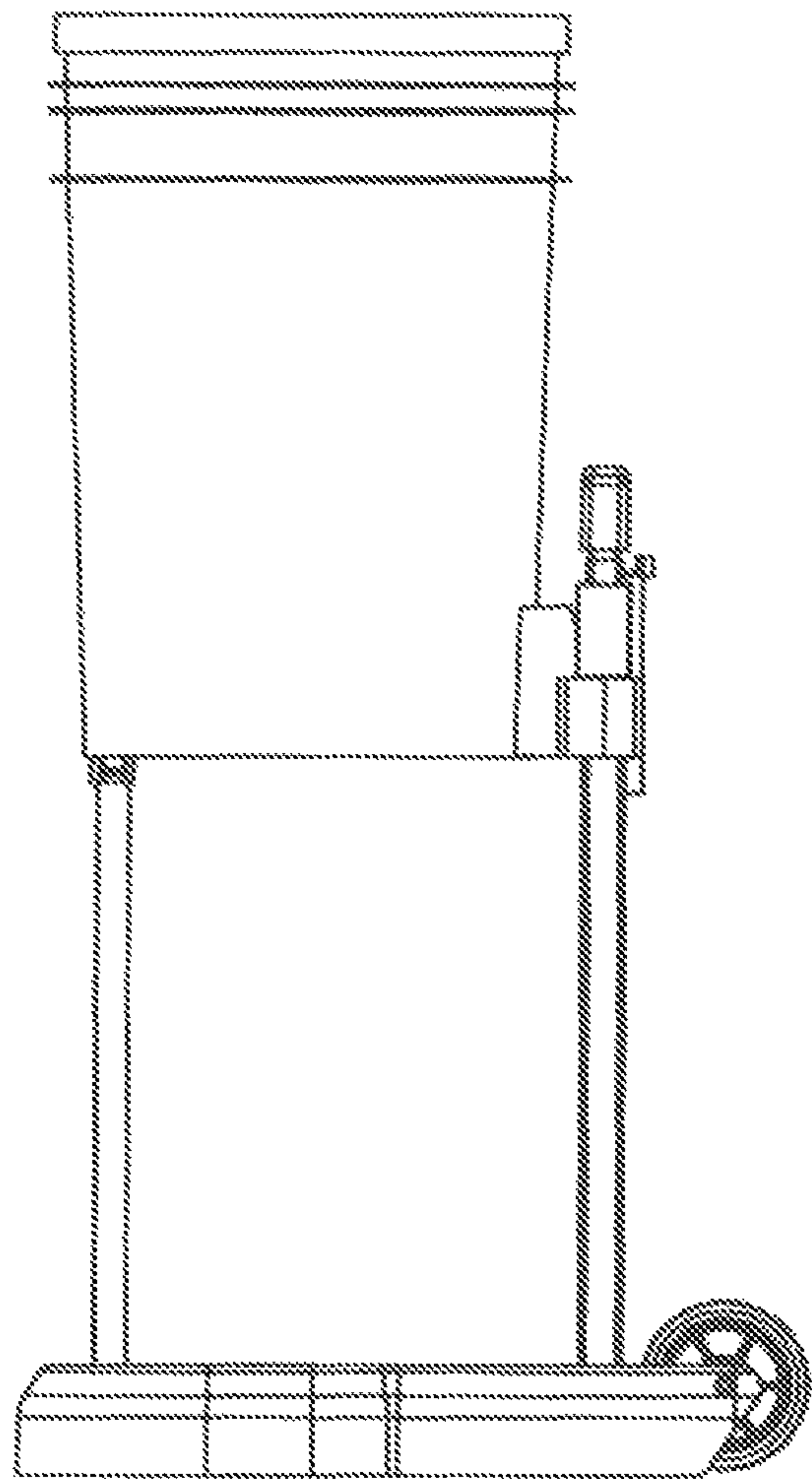


FIG. 4

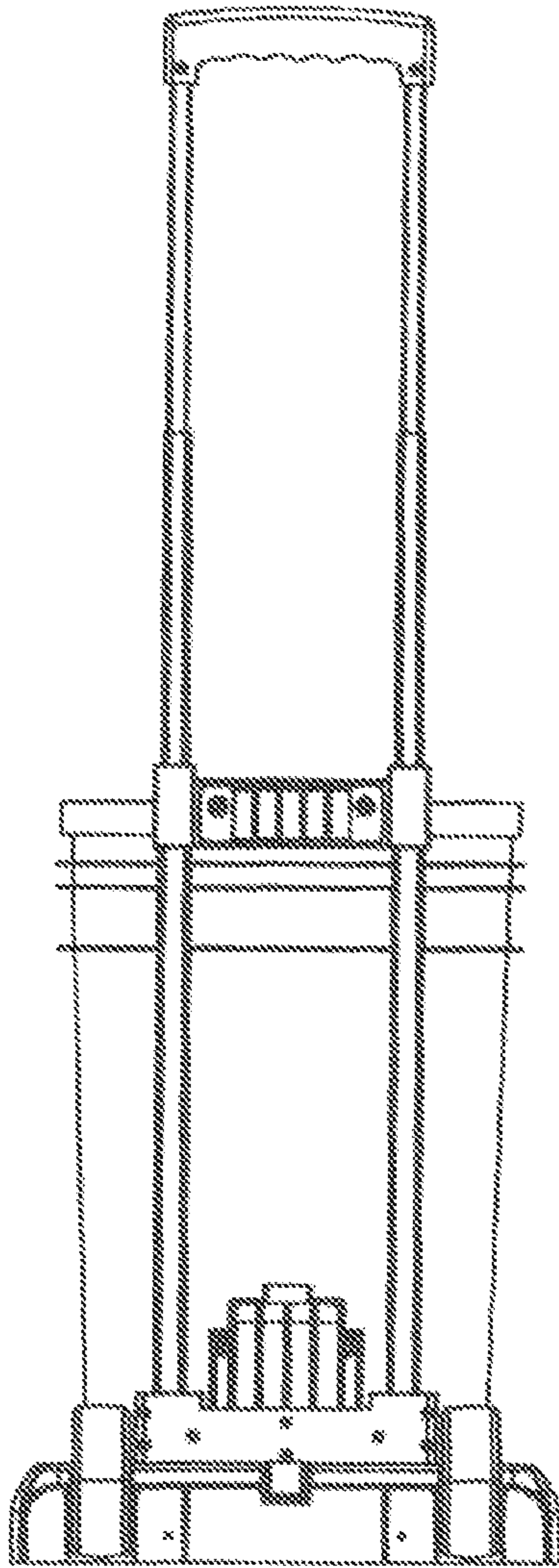


FIG. 5

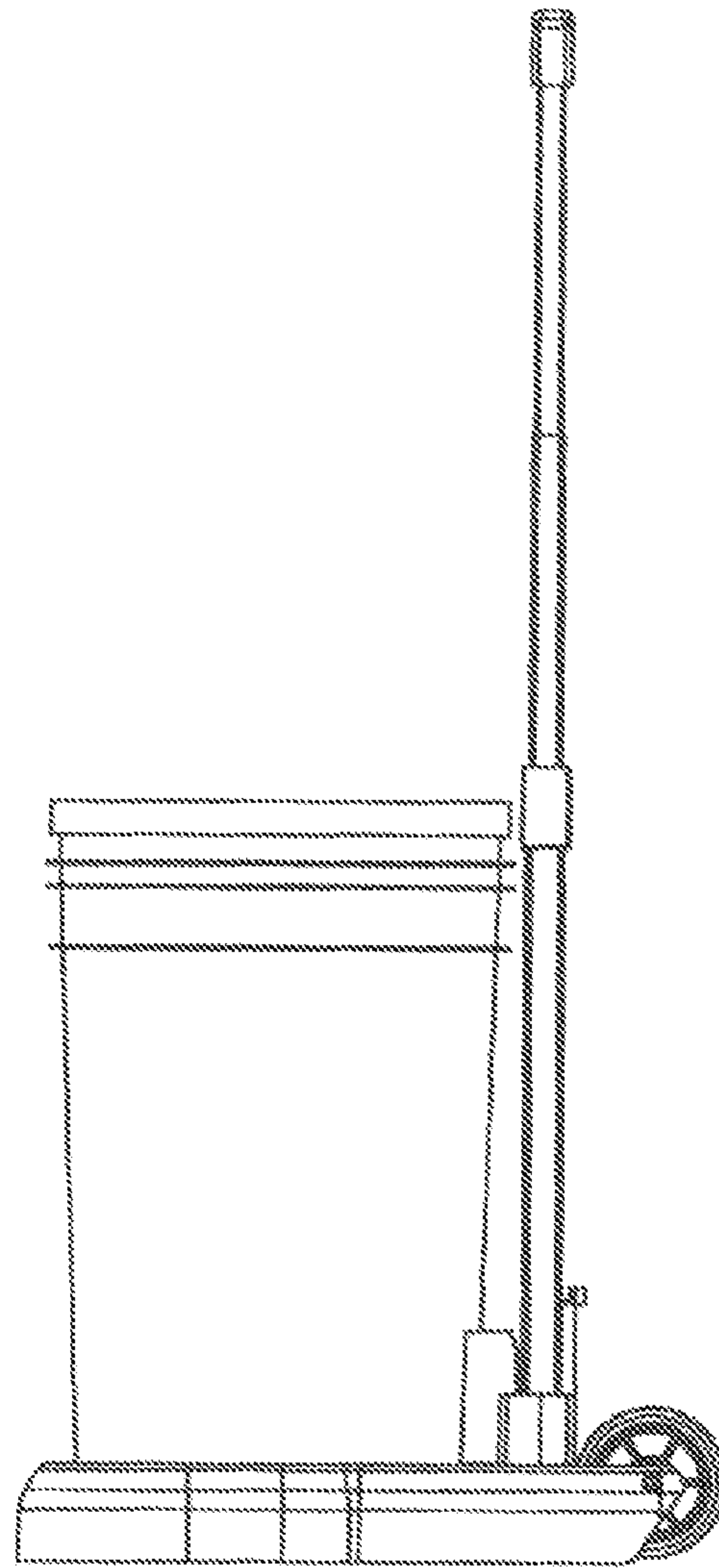


FIG. 6

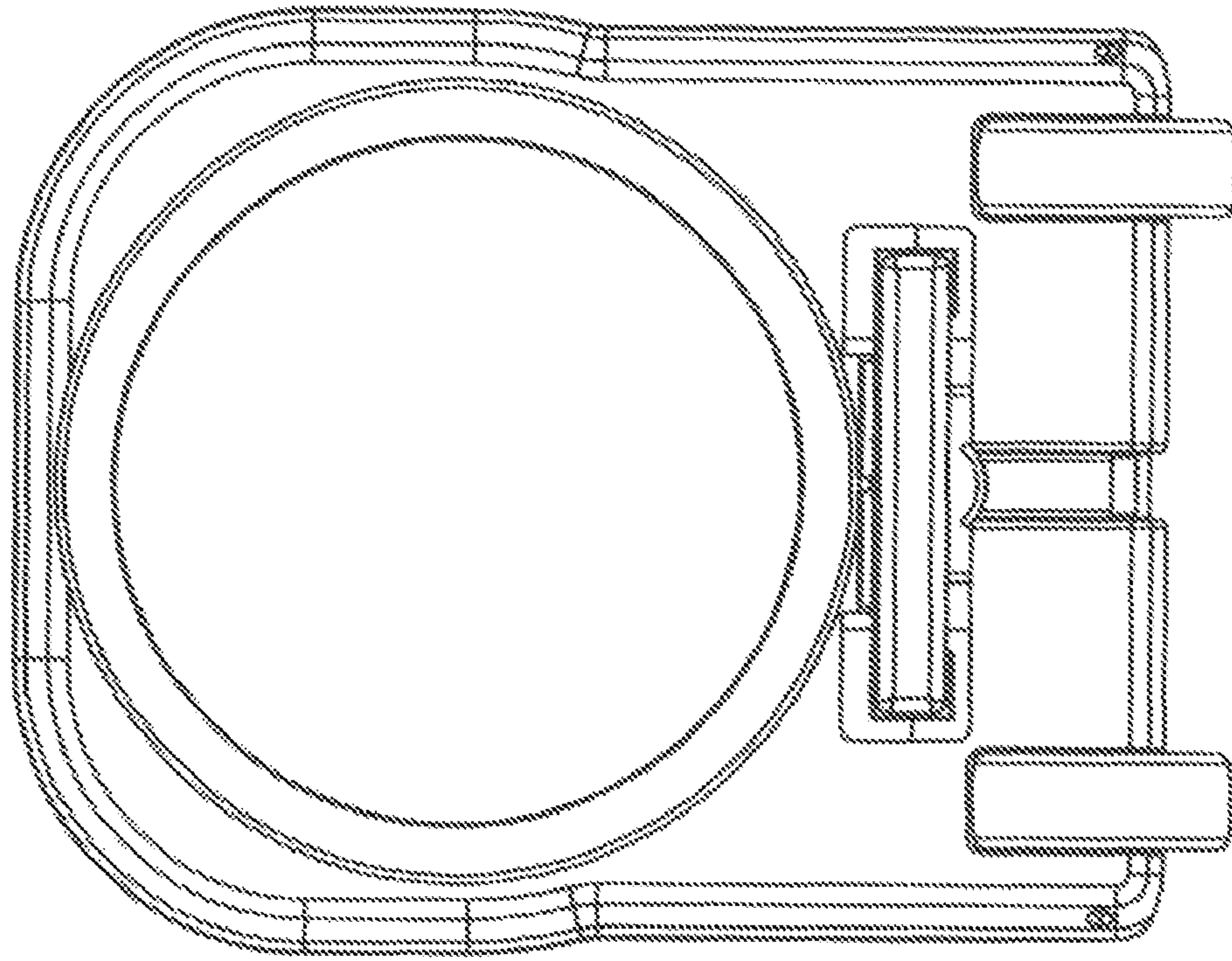


FIG. 7

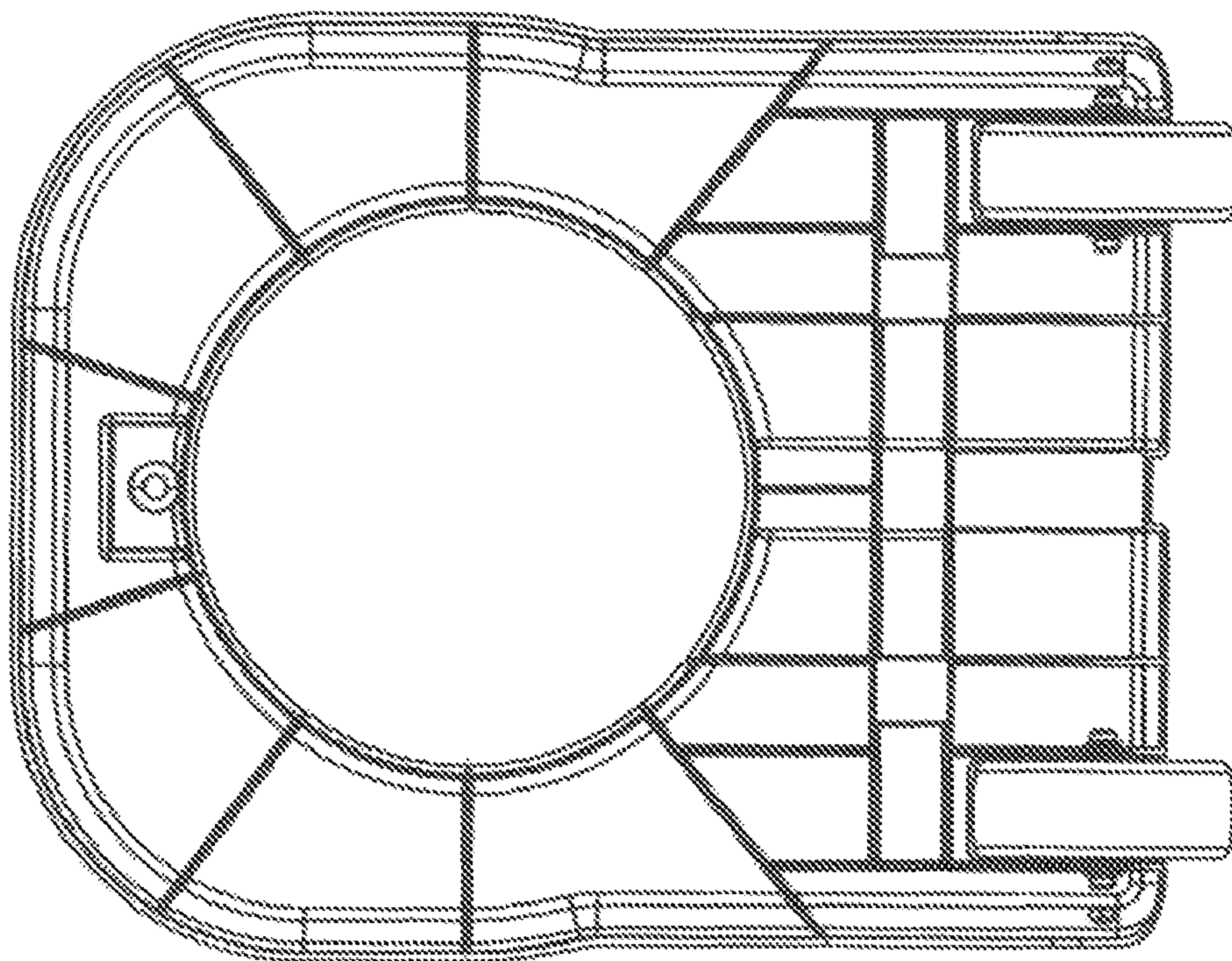


FIG. 8