



US00D616617S

(12) **United States Design Patent**
Cirincione et al.

(10) **Patent No.:** **US D616,617 S**
(45) **Date of Patent:** **** May 25, 2010**

(54) **STORAGE CHEST LITTER BOX HOLDER**

Primary Examiner—Mitchell I Siegel

(76) Inventors: **Noah Anthony Cirincione**, 8457 Benjamin Dr., Huntington Beach, CA (US) 92647; **Abigail Ruth Cirincione**, 8457 Benjamin Dr., Huntington Beach, CA (US) 92647

(57) **CLAIM**

The ornamental design for a storage chest litter box holder, as shown and described.

(**) Term: **14 Years**

DESCRIPTION

(21) Appl. No.: **29/321,069**

(22) Filed: **Jul. 10, 2008**

(51) **LOC (9) Cl.** **30-99**

(52) **U.S. Cl.** **D30/161**

(58) **Field of Classification Search** D30/108,
D30/109, 118, 161; 119/161–170, 482; D6/436,
D6/438, 440

See application file for complete search history.

FIG. 1 is a perspective view of the storage chest litter box holder, showing our new design;

FIG. 2 is a front elevational view thereof;

FIG. 3 is a left side elevational view thereof;

FIG. 4 is a right side elevational view thereof;

FIG. 5 is a back elevational view thereof;

FIG. 6 is a top plan view thereof; and,

FIG. 7 is a bottom view of the storage chest litter box holder thereof.

The broken lines in FIG. 1–3 are shown for illustrative purposes only and forms no part of the claimed design.

This product hides the litter pan in an elegant piece of furniture. Because it looks like a hand-crafted wooden storage chest, this product is able to assist cat owners in maintaining a stylish and elegant home without sacrificing care and comfort for their pets.

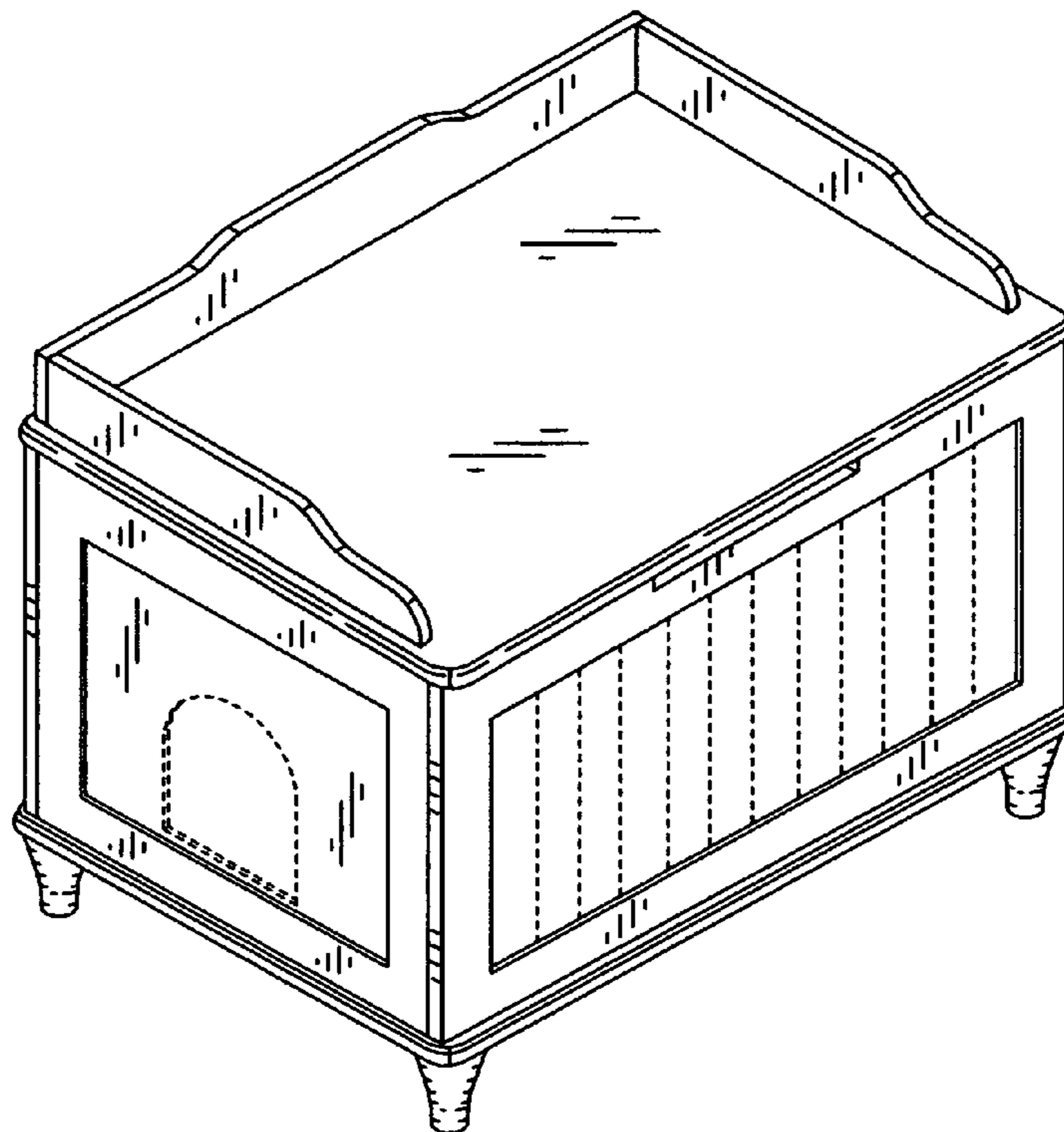
(56) **References Cited**

U.S. PATENT DOCUMENTS

3,872,832	A *	3/1975	Quinn	119/165
D315,430	S *	3/1991	Robertson, Sr.	D30/108
5,184,568	A *	2/1993	Healey	119/482
5,184,575	A *	2/1993	Reinartz	119/163
D372,813	S *	8/1996	Walter	D6/436
6,286,458	B1 *	9/2001	Rawson	119/165
D519,685	S *	4/2006	Scarpaci et al.	D30/108
D534,321	S *	12/2006	Simpson et al.	D30/161
D555,293	S *	11/2007	Gourkow	D30/108

* cited by examiner

1 Claim, 4 Drawing Sheets



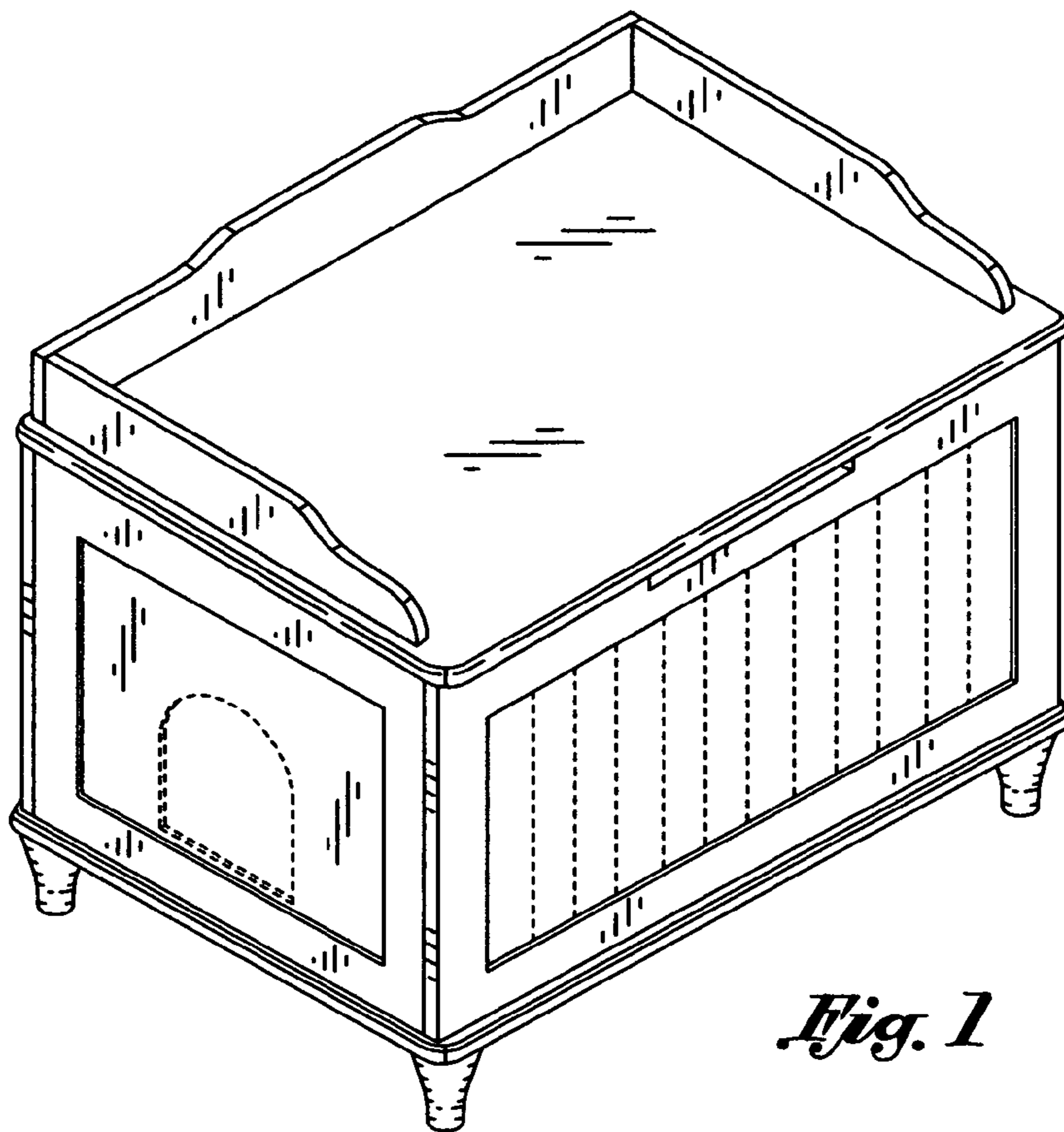


Fig. 1

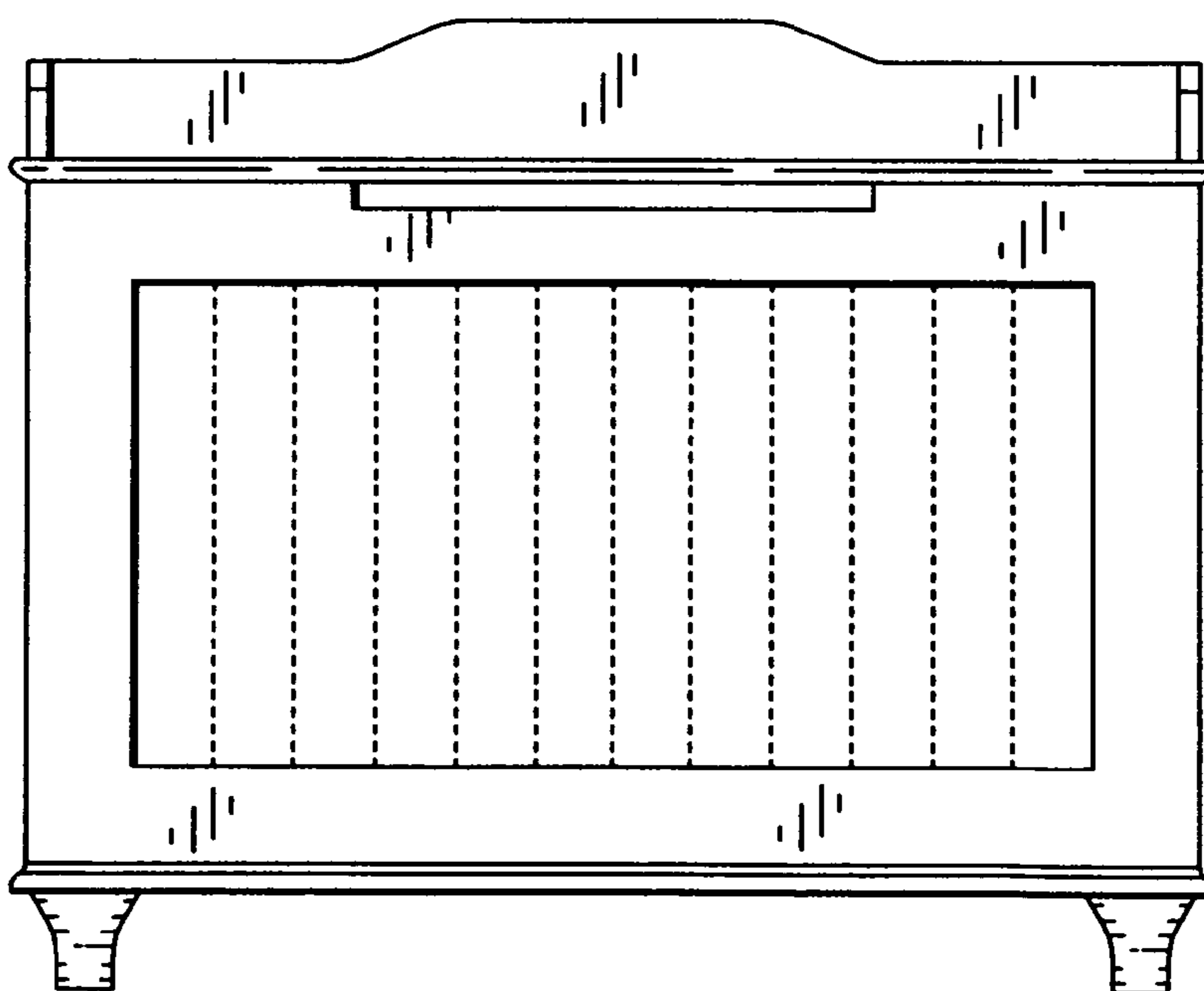


Fig. 2

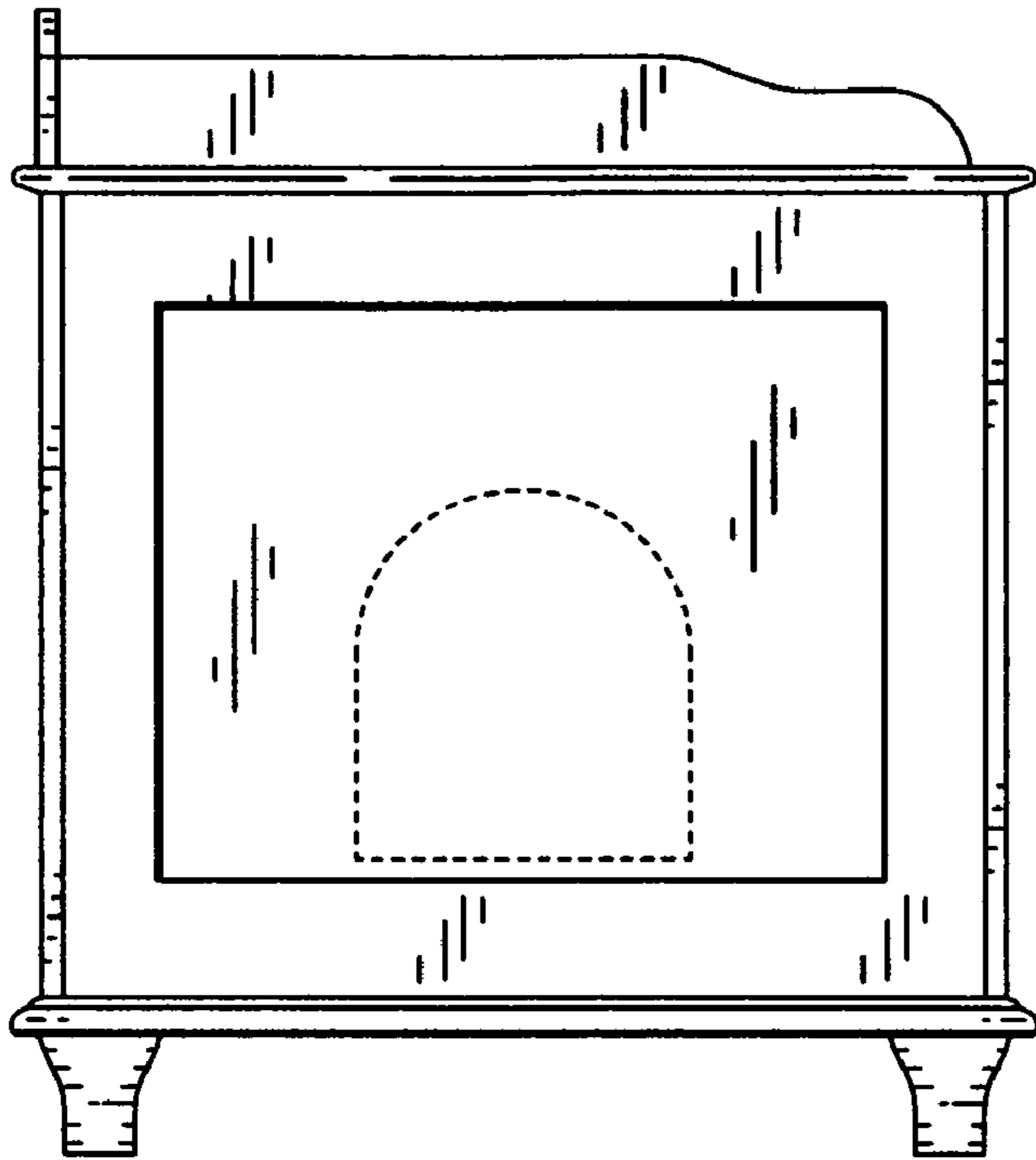


Fig. 3

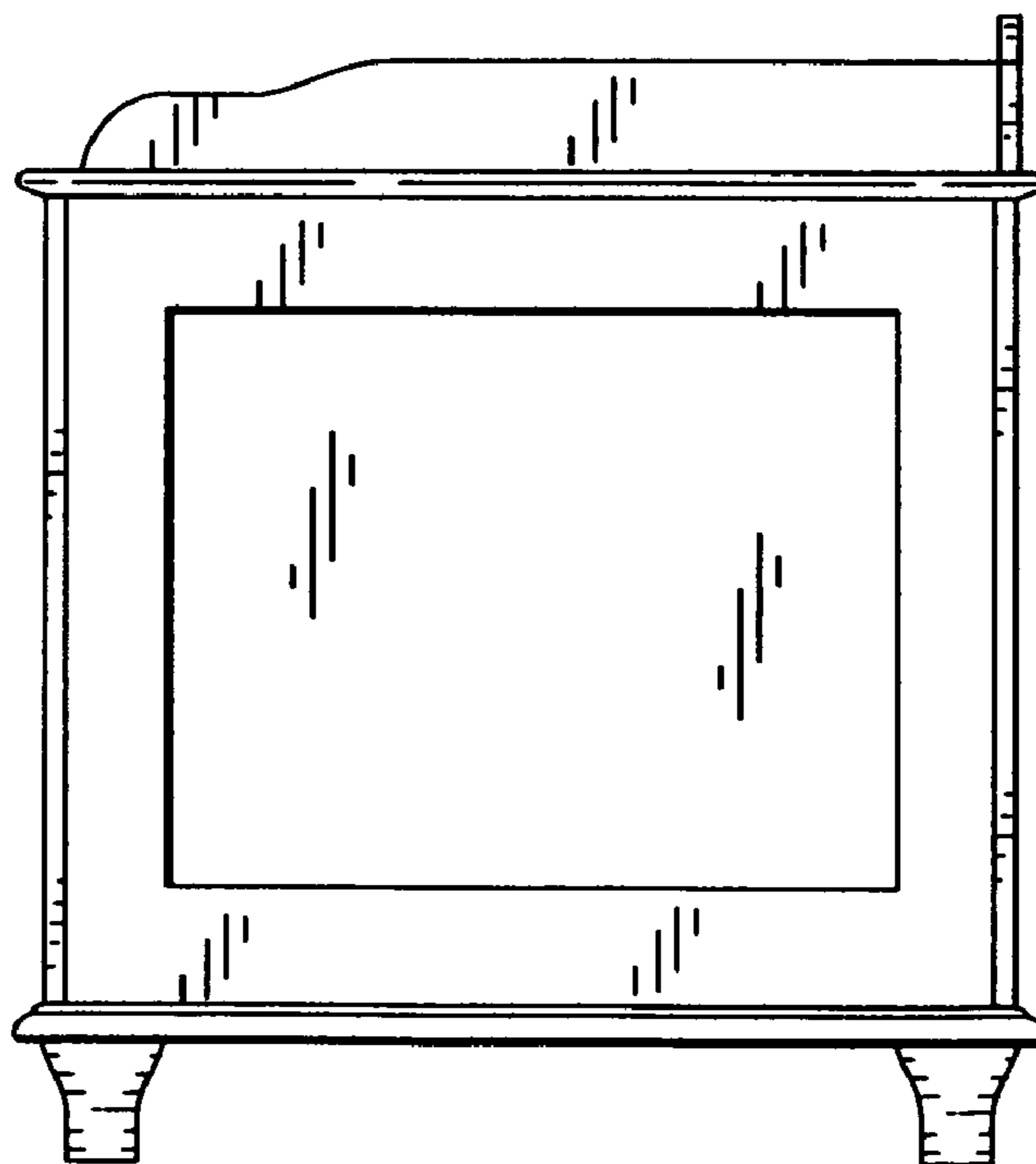


Fig. 4

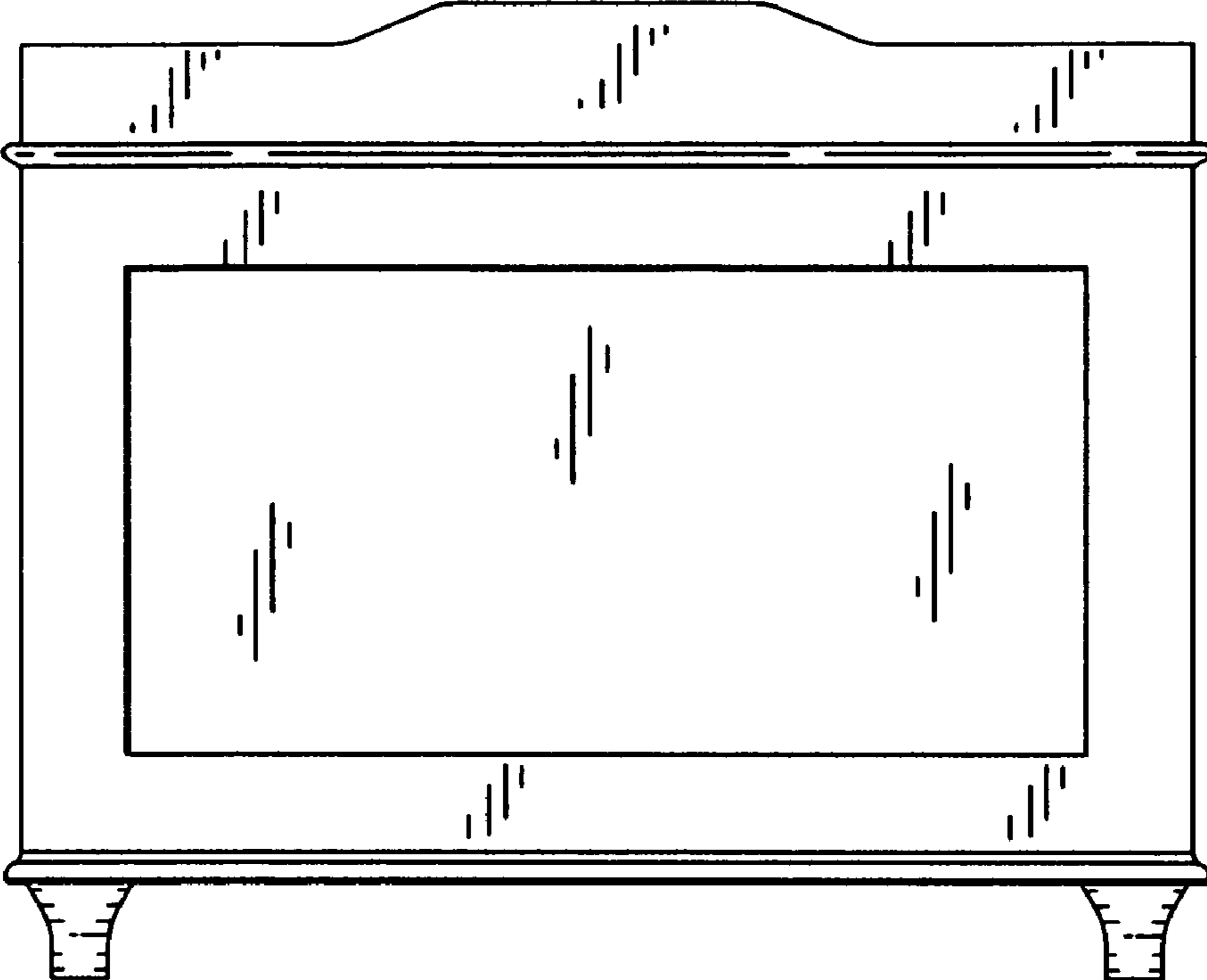


Fig. 5

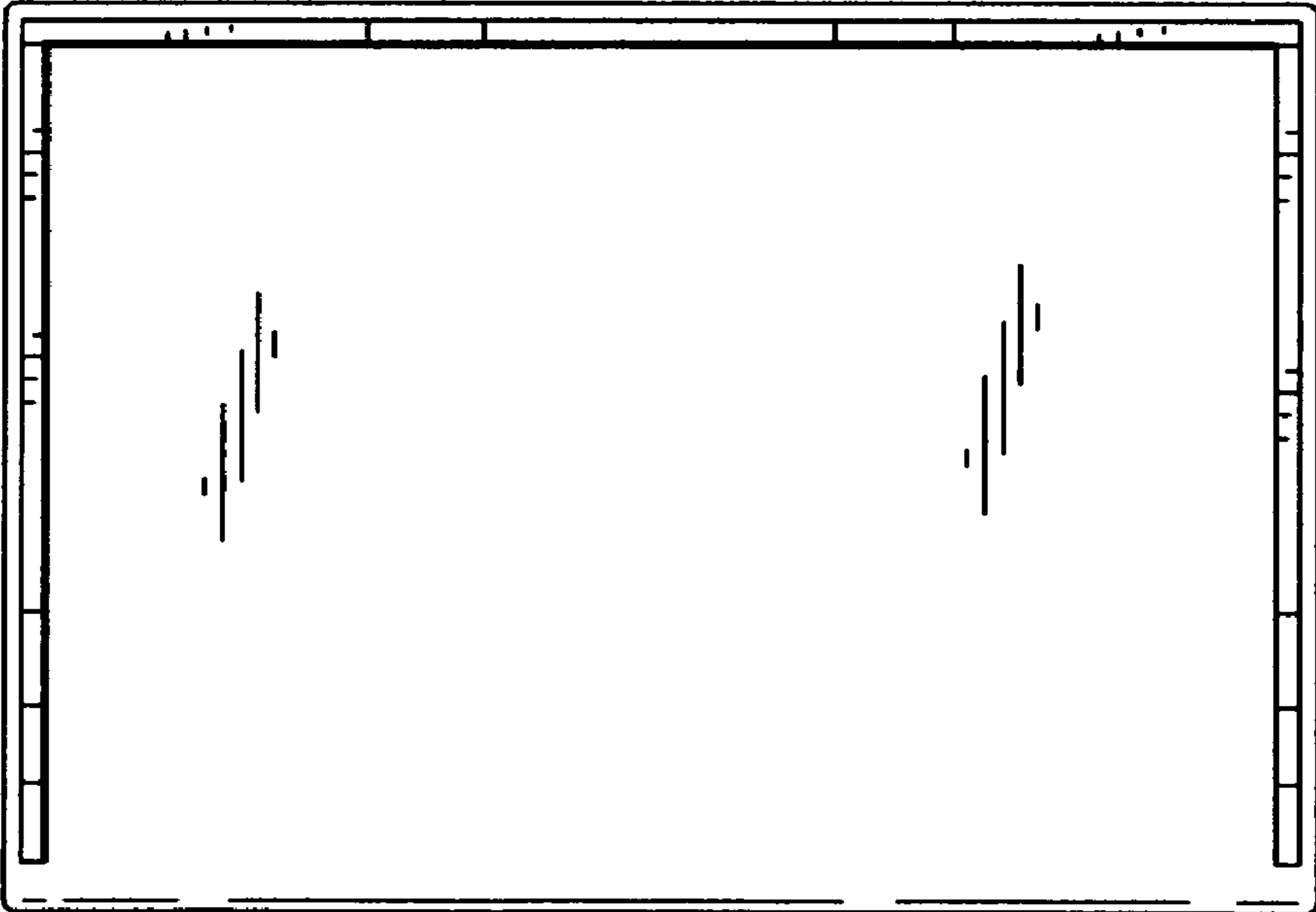


Fig. 6

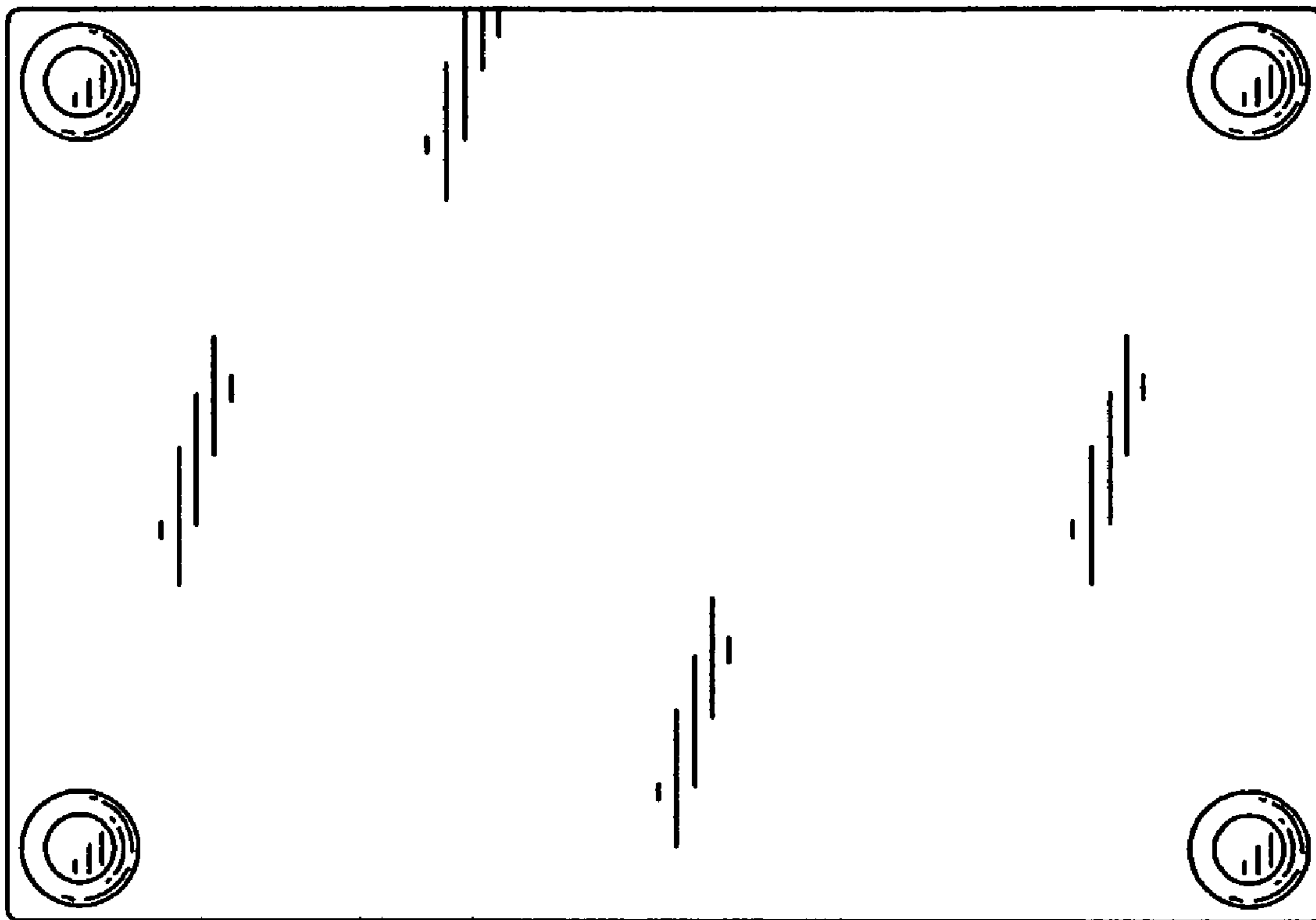


Fig. 7