



US00D616616S

(12) **United States Design Patent**
Byrne

(10) **Patent No.:** **US D616,616 S**

(45) **Date of Patent:** **** May 25, 2010**

(54) **PET THROW/CHEW TOY**

(76) **Inventor:** **Charles A. Byrne**, P.O. Box 1645,
Mammoth Lakes, CA (US) 93546

(**) **Term:** **14 Years**

(21) **Appl. No.:** **29/336,429**

(22) **Filed:** **May 4, 2009**

(51) **LOC (9) Cl.** **30-99**

(52) **U.S. Cl.** **D30/160**

(58) **Field of Classification Search** D30/119,
D30/160; D1/116-118, 120, 122, 124; D21/105-406,
D21/408, 465-467; D24/194-195; 119/702;
601/121

See application file for complete search history.

(56) **References Cited**

U.S. PATENT DOCUMENTS

D47,419	S	*	6/1915	Golden	D24/194
4,803,953	A	*	2/1989	Graves	119/707
5,009,193	A	*	4/1991	Gordon	119/711
D335,553	S	*	5/1993	Conner	D30/160
D402,435	S	*	12/1998	Correll	D1/106
D405,563	S	*	2/1999	Baiera et al.	D30/160

5,870,971	A	*	2/1999	Krietzman et al.	119/707
D414,903	S	*	10/1999	Baiera et al.	D30/160
6,032,615	A	*	3/2000	Girard	119/707
D478,194	S	*	8/2003	McGinty	D30/160
6,945,195	B1	*	9/2005	Morrison	119/707
7,513,220	B2	*	4/2009	Ragonetti et al.	119/707
7,661,394	B2	*	2/2010	Plante	119/707

* cited by examiner

Primary Examiner—Cathy Anne MacCormac

(74) *Attorney, Agent, or Firm*—Kelly Lowry & Kelley LLP

(57) **CLAIM**

The ornamental design for a pet throw/chew toy, as shown.

DESCRIPTION

FIG. 1 is top and side perspective view of a pet throw/chew toy embodying my new design;

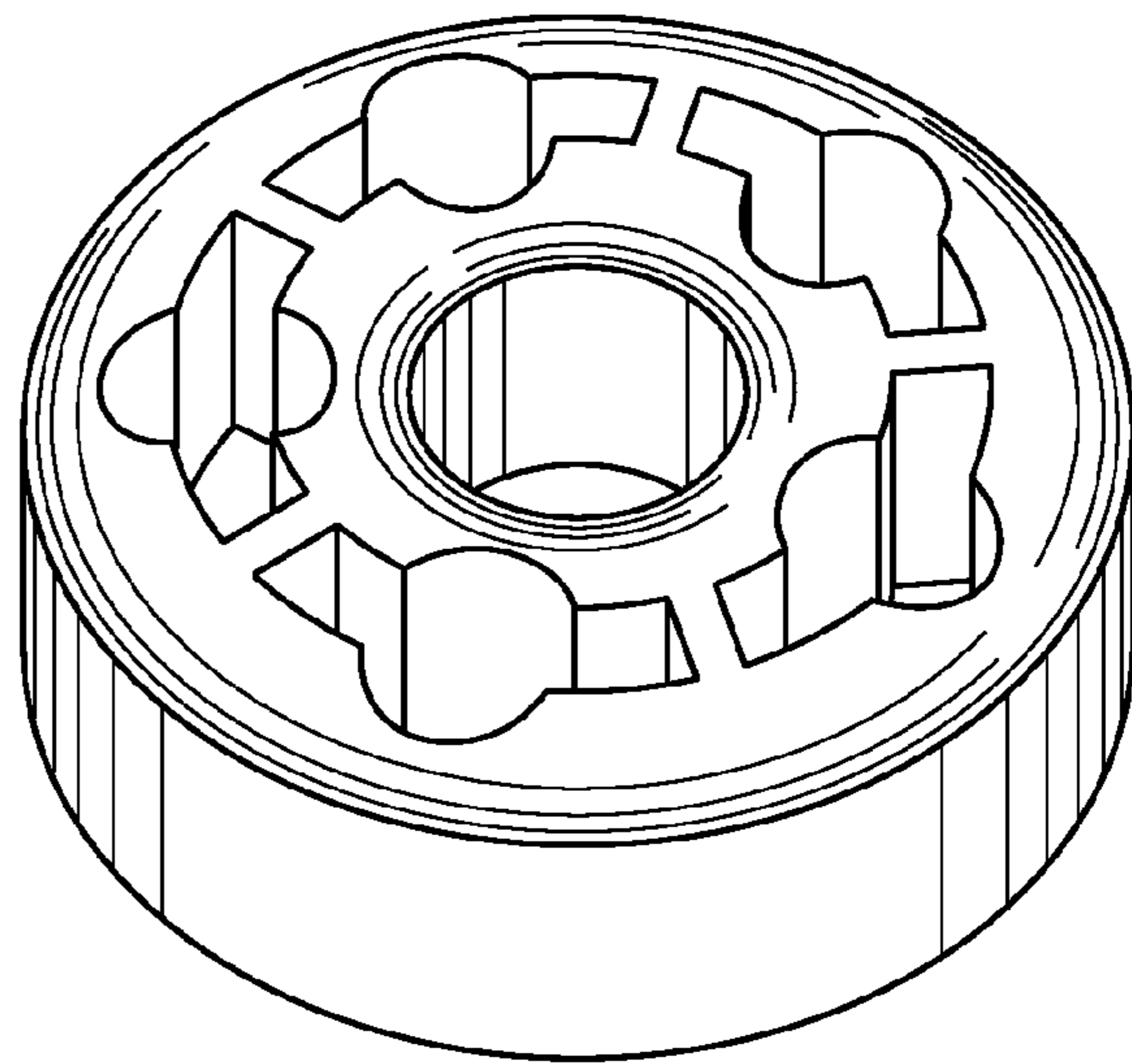
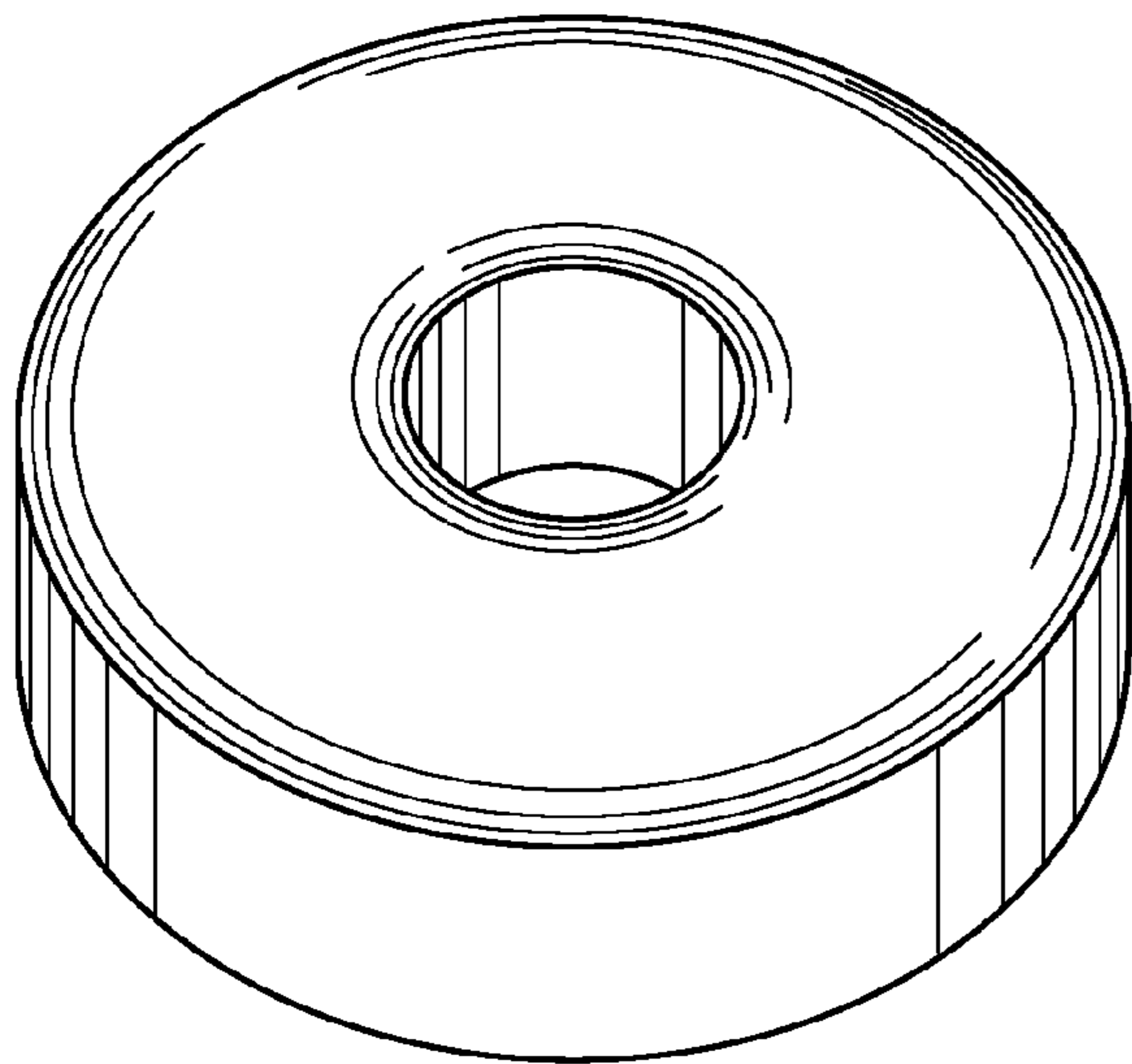
FIG. 2 is a bottom and side perspective view thereof;

FIG. 3 is a top plan view thereof;

FIG. 4 is a bottom plan view thereof; and,

FIG. 5 is a side elevational view thereof.

1 Claim, 1 Drawing Sheet



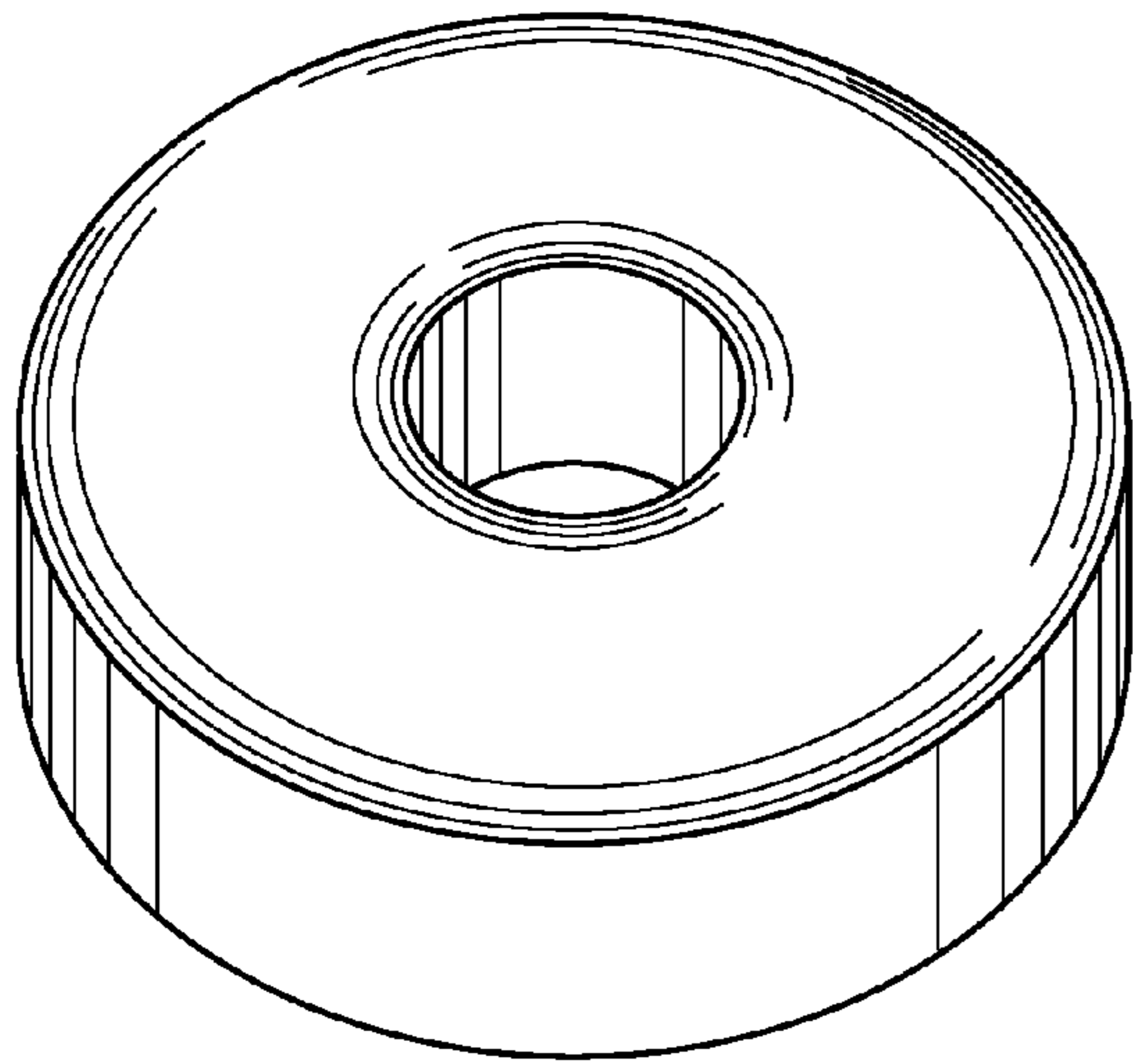


FIG. 1

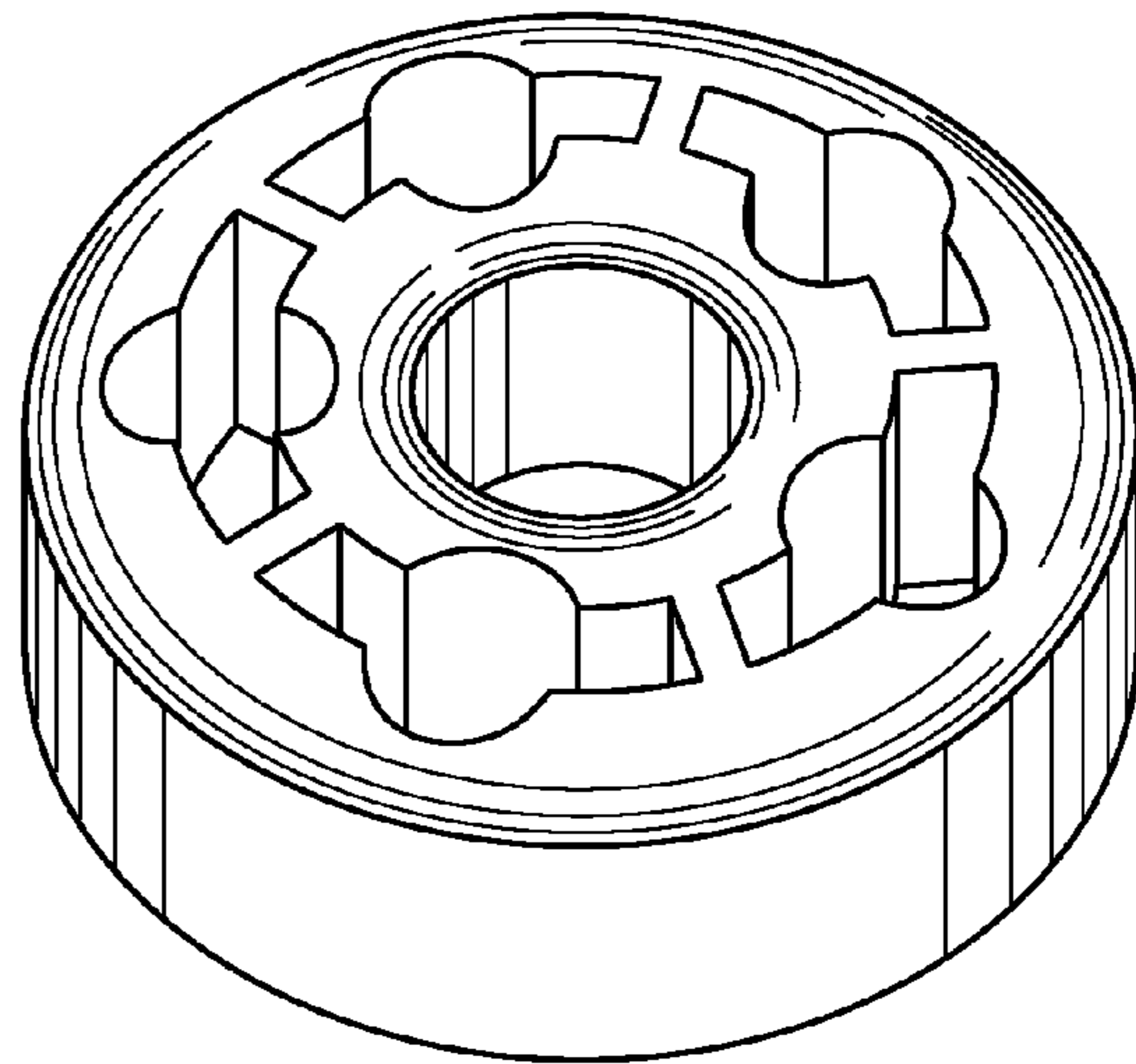


FIG. 2

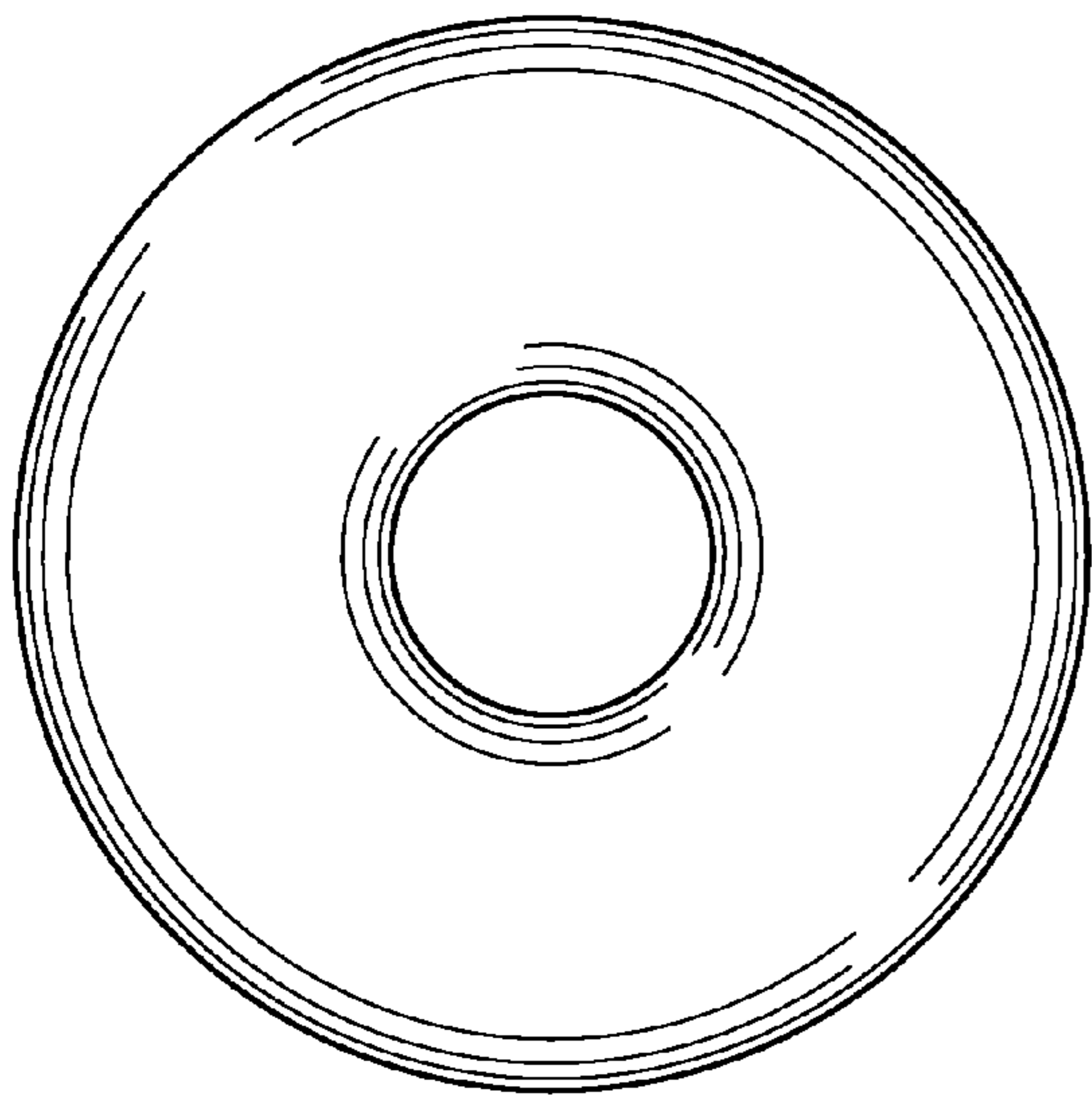


FIG. 3

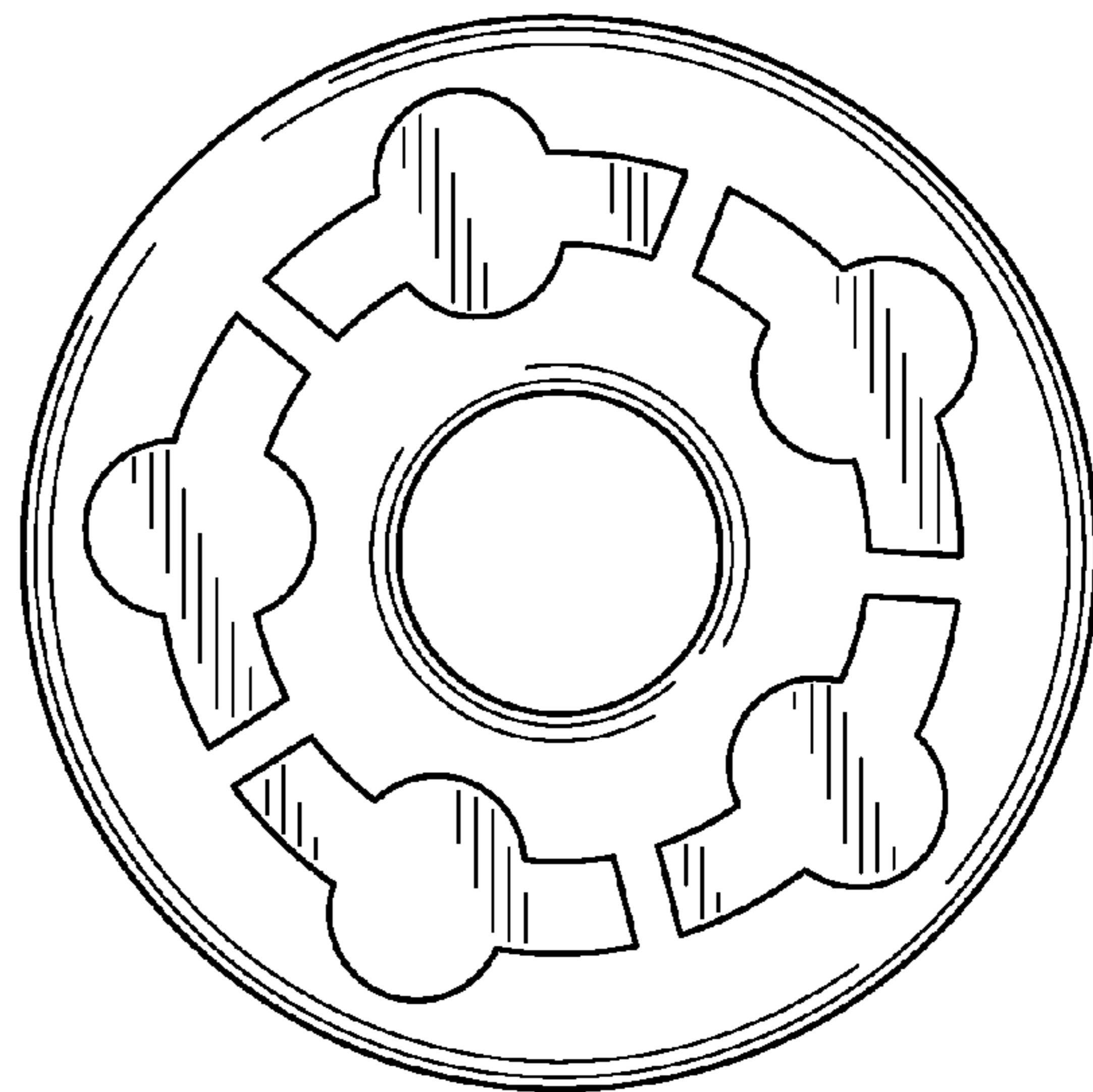


FIG. 4

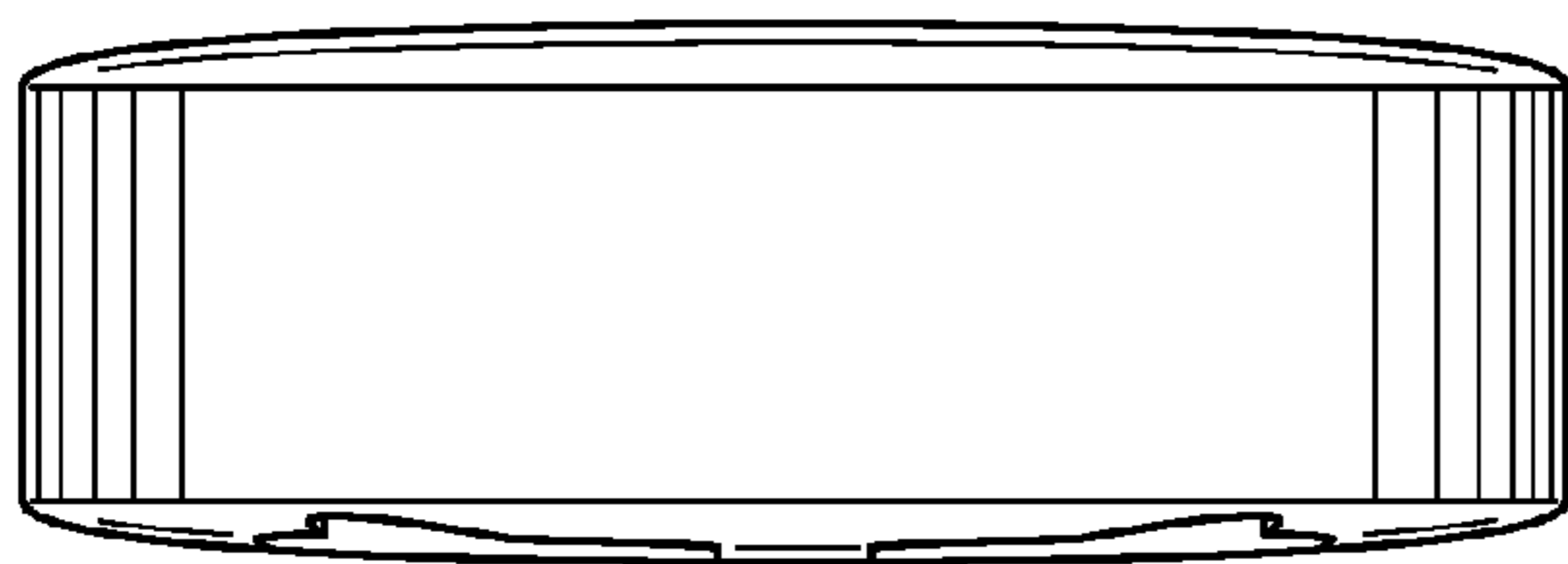


FIG. 5