



US00D616613S

(12) **United States Design Patent**
Lu

(10) **Patent No.:** **US D616,613 S**

(45) **Date of Patent:** **** May 25, 2010**

(54) **PET CARRIER**

(76) Inventor: **Kongzhi Lu**, 315 Hubin East Road,
Suite 203, Xiamen (CN)

(**) Term: **14 Years**

(21) Appl. No.: **29/338,753**

(22) Filed: **Jun. 17, 2009**

(51) **LOC (9) Cl.** **30-02**

(52) **U.S. Cl.** **D30/109**

(58) **Field of Classification Search** D30/108,
D30/109; 119/28.5, 496, 497, 416; D3/201,
D3/289, 290, 291, 283, 282, 273, 232, 287
See application file for complete search history.

(56) **References Cited**

U.S. PATENT DOCUMENTS

D398,082 S *	9/1998	Martz	D30/109
D398,083 S *	9/1998	Martz	D30/109
D447,667 S *	9/2001	Schneider et al.	D7/607
D481,539 S *	11/2003	Martz	D30/109
7,210,426 B2 *	5/2007	Yeung	119/497

D575,461 S * 8/2008 Cannon et al. D30/109
2003/0127060 A1 * 7/2003 Yeung 119/497

* cited by examiner

Primary Examiner—Mitchell I Siegel
(74) *Attorney, Agent, or Firm*—Jen-Feng Lee

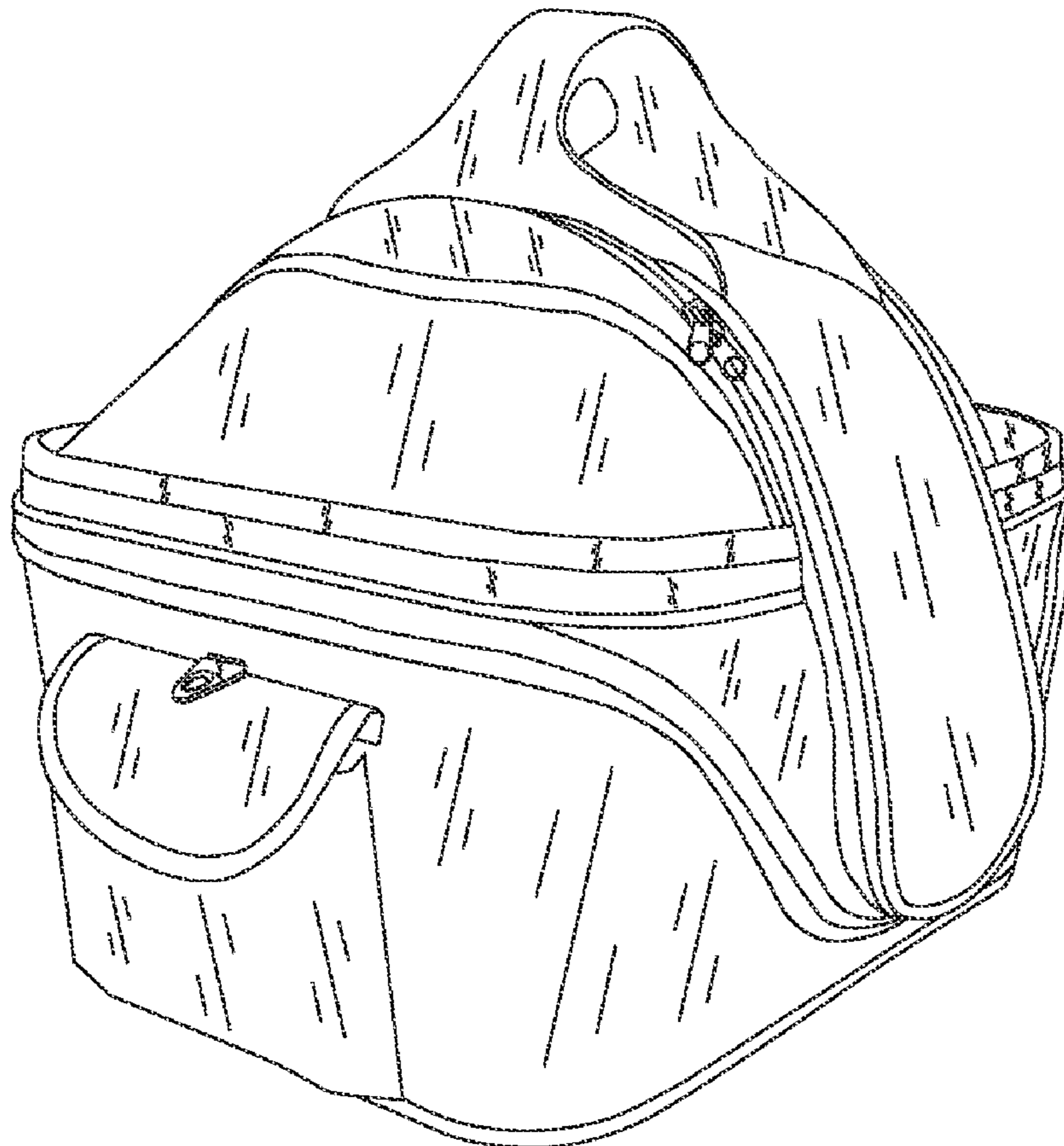
(57) **CLAIM**

I claim the ornamental design for a pet carrier, as shown and described.

DESCRIPTION

FIG. 1 shows the perspective view of the pet carrier showing my new design,
FIG. 2 shows the top view thereof,
FIG. 3 shows the bottom view thereof,
FIG. 4 shows the right view thereof,
FIG. 5 shows the left view thereof,
FIG. 6 shows the rear view thereof; and,
FIG. 7 shows the front view thereof.

1 Claim, 7 Drawing Sheets



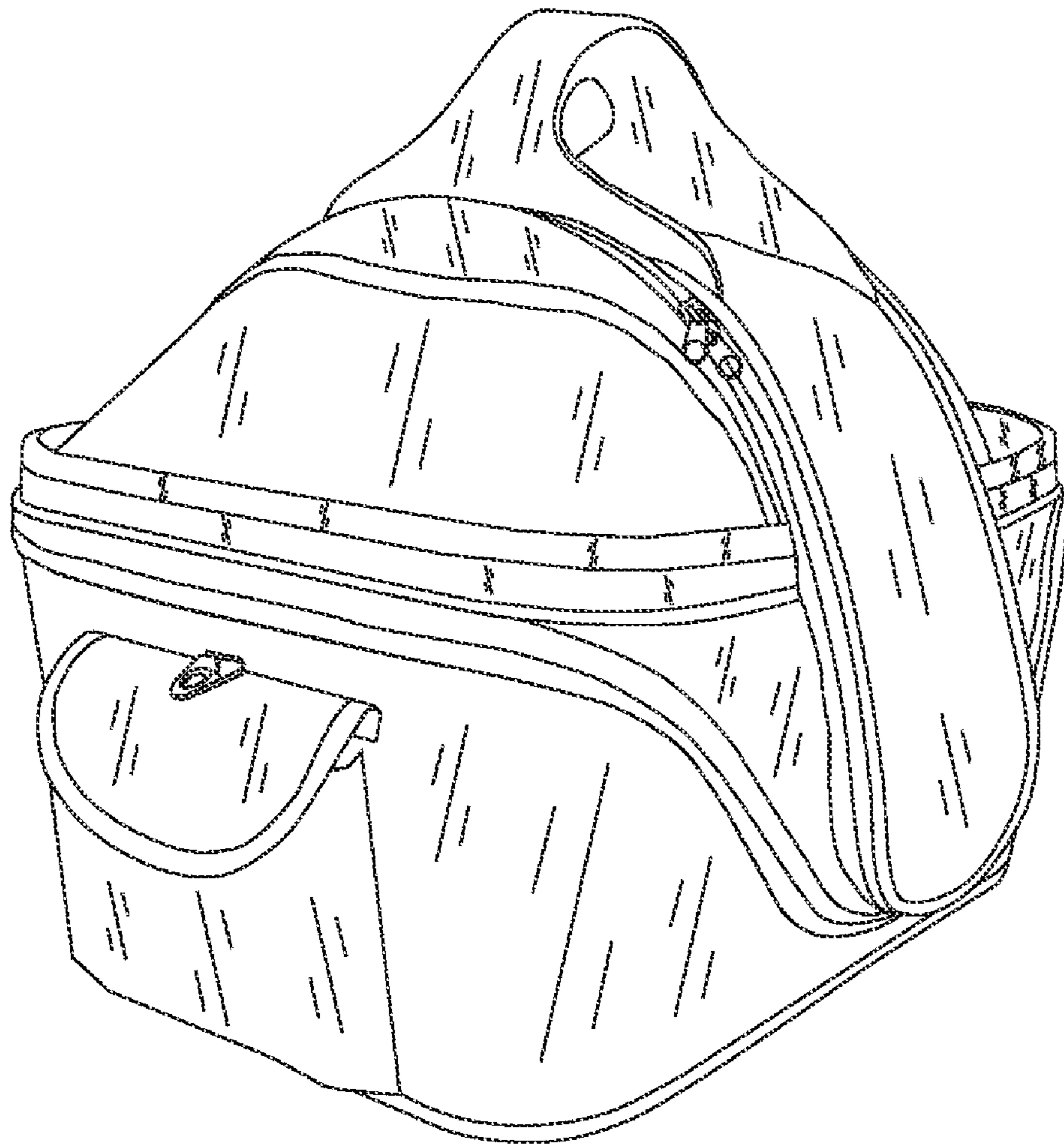


FIGURE 1

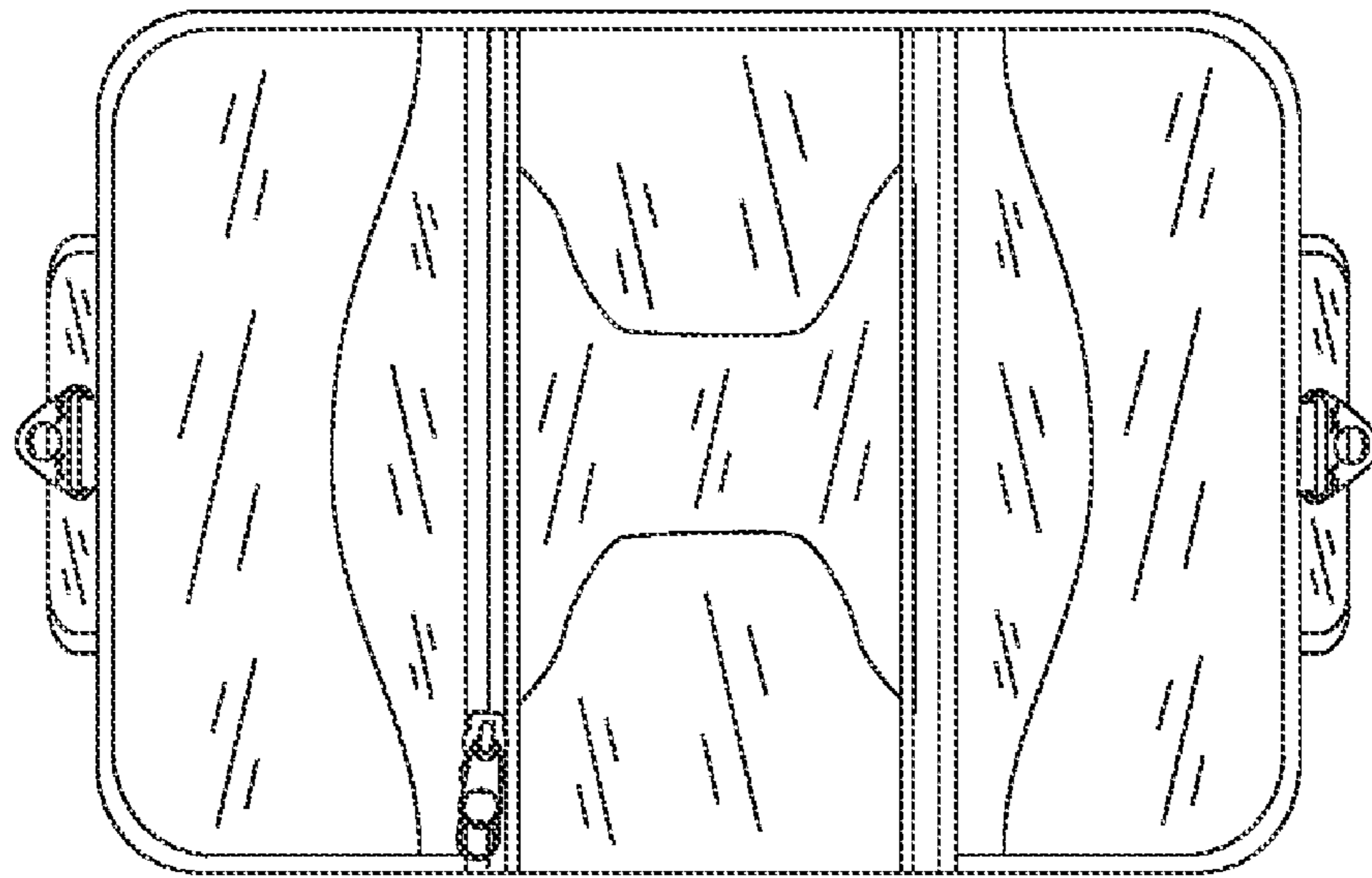


FIGURE 2

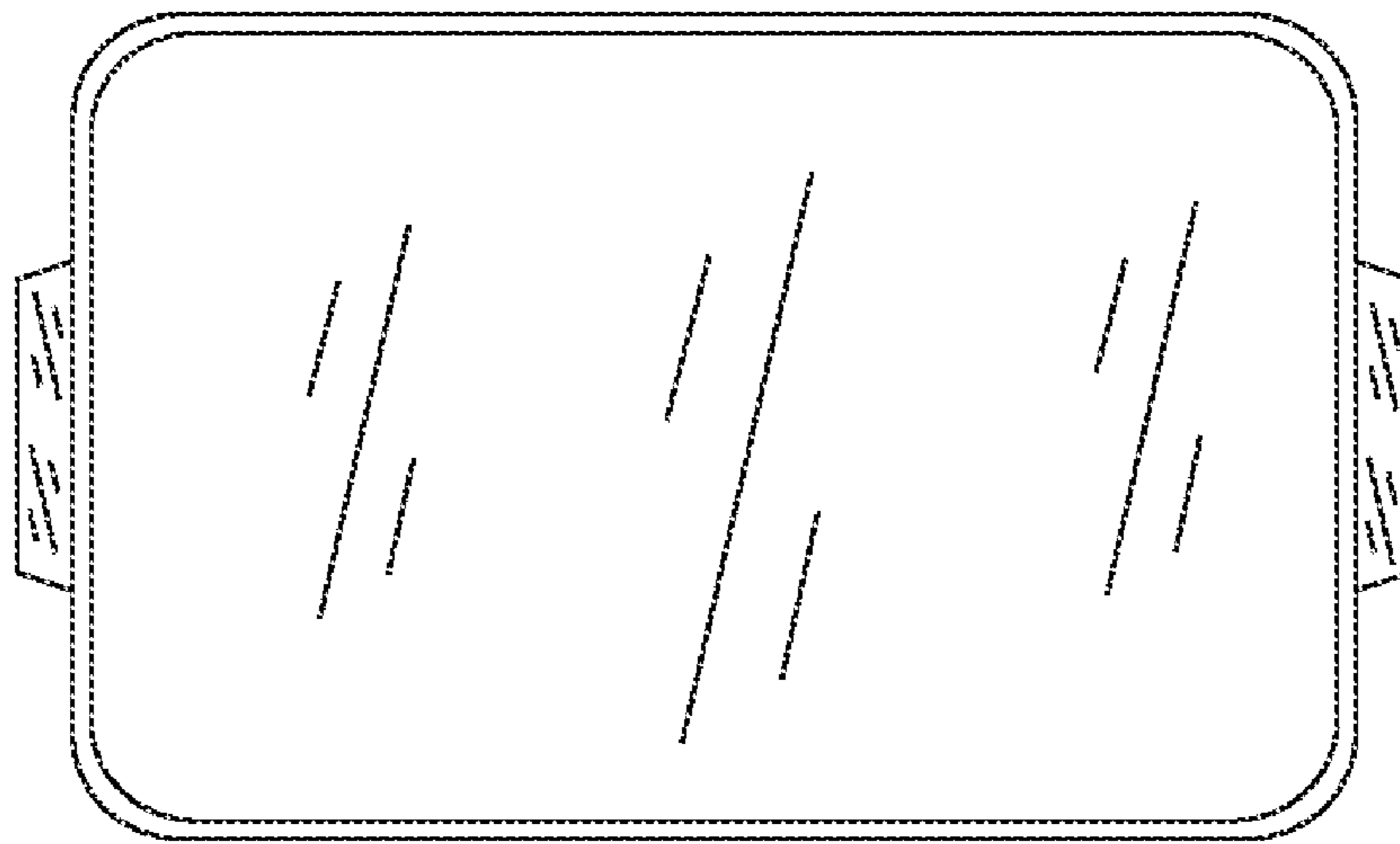


FIGURE 3

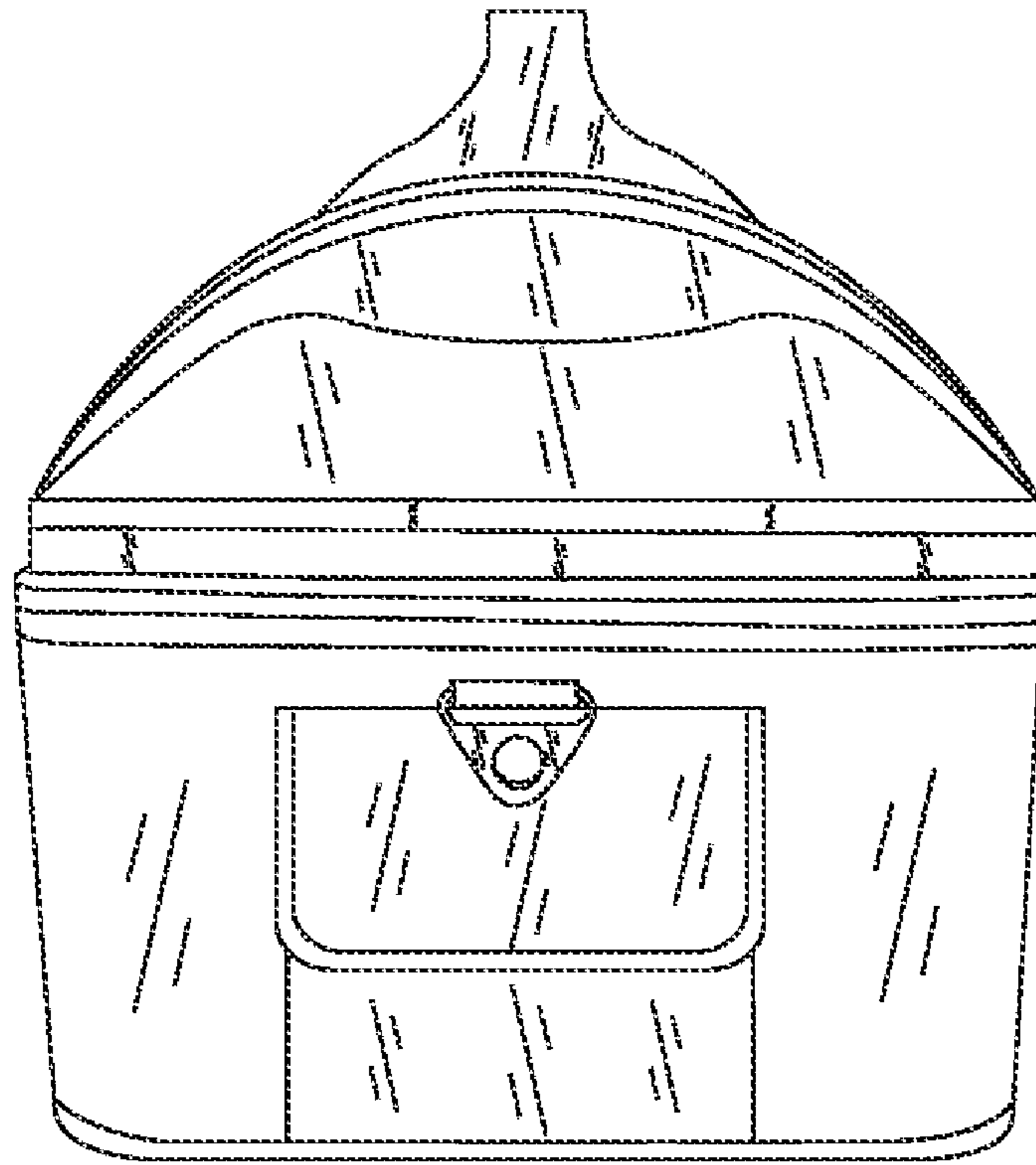


FIGURE 4

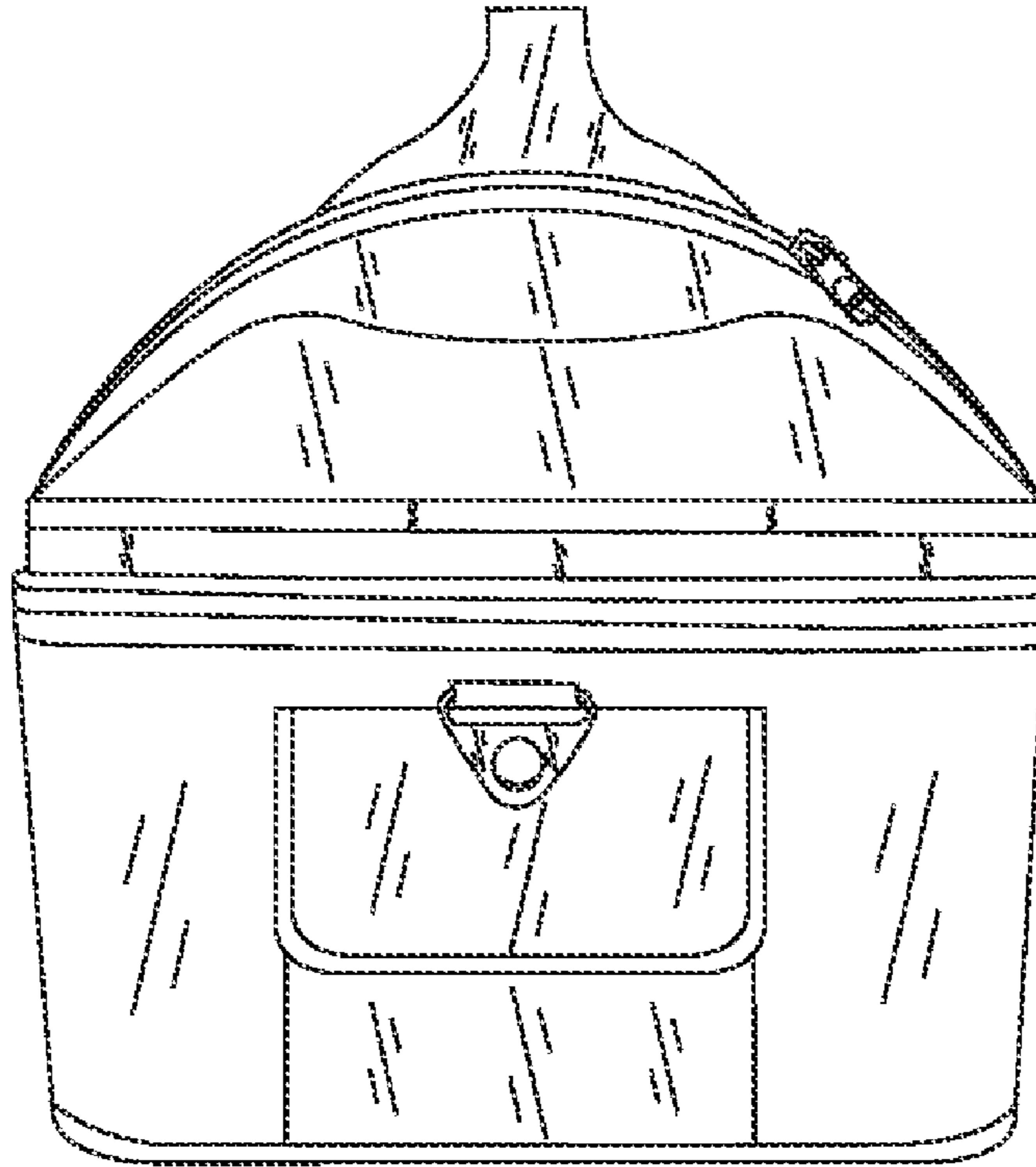


FIGURE 5

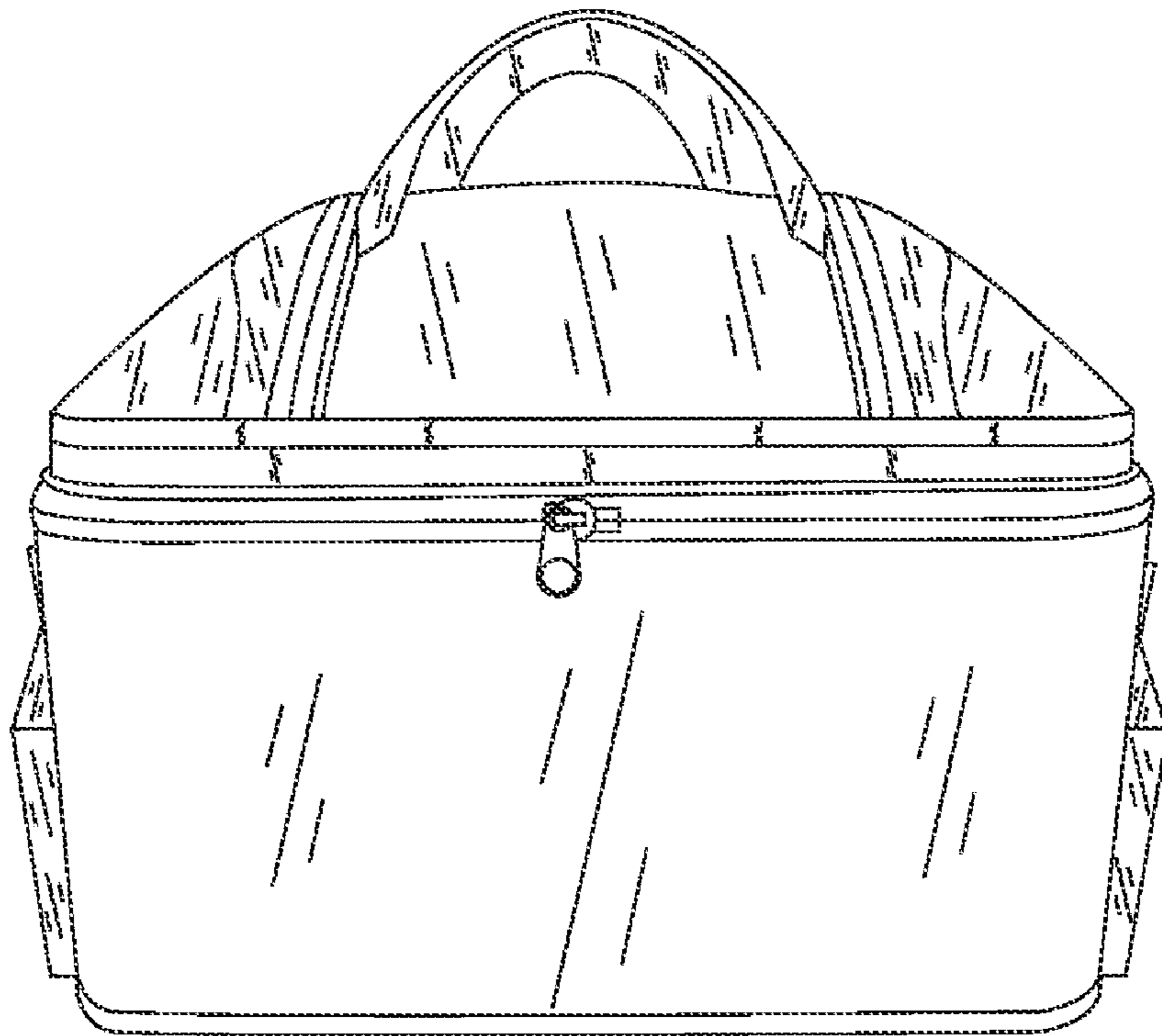


FIGURE 6

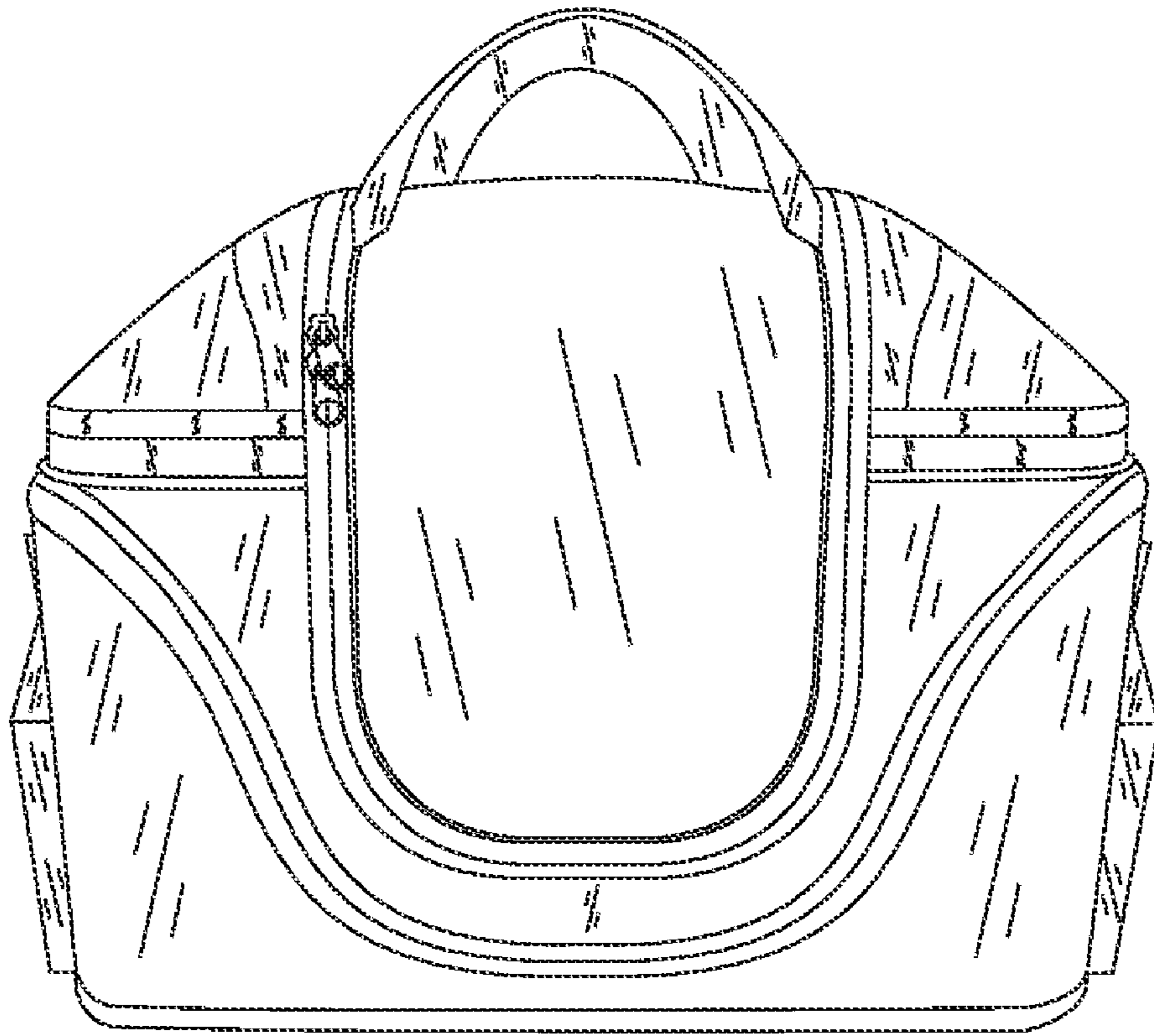


FIGURE 7