



US00D616611S

(12) **United States Design Patent**  
**Lu**

(10) **Patent No.:** **US D616,611 S**

(45) **Date of Patent:** **\*\* May 25, 2010**

(54) **PET CARRIER**

(76) Inventor: **Kongzhi Lu**, 315 Hubin East Road,  
Suite 203, Xiamen (CN)

(\*\*) Term: **14 Years**

(21) Appl. No.: **29/338,751**

(22) Filed: **Jun. 17, 2009**

(51) **LOC (9) Cl.** ..... **30-02**

(52) **U.S. Cl.** ..... **D30/109**

(58) **Field of Classification Search** ..... D30/108,  
D30/109; 119/28.5, 496, 497, 416; D3/201,  
D3/289, 290, 291, 283, 282, 273, 232, 287  
See application file for complete search history.

(56) **References Cited**

**U.S. PATENT DOCUMENTS**

D398,082 S *	9/1998	Martz	.....	D30/109
D398,083 S *	9/1998	Martz	.....	D30/109
D447,667 S *	9/2001	Schneider et al.	.....	D7/607
D481,539 S *	11/2003	Martz	.....	D30/109
7,210,426 B2 *	5/2007	Yeung	.....	119/497

D575,461 S *	8/2008	Cannon et al.	.....	D30/109
2003/0127060 A1 *	7/2003	Yeung	.....	119/497

\* cited by examiner

*Primary Examiner*—Mitchell I Siegel  
(74) *Attorney, Agent, or Firm*—Jen-Feng Lee

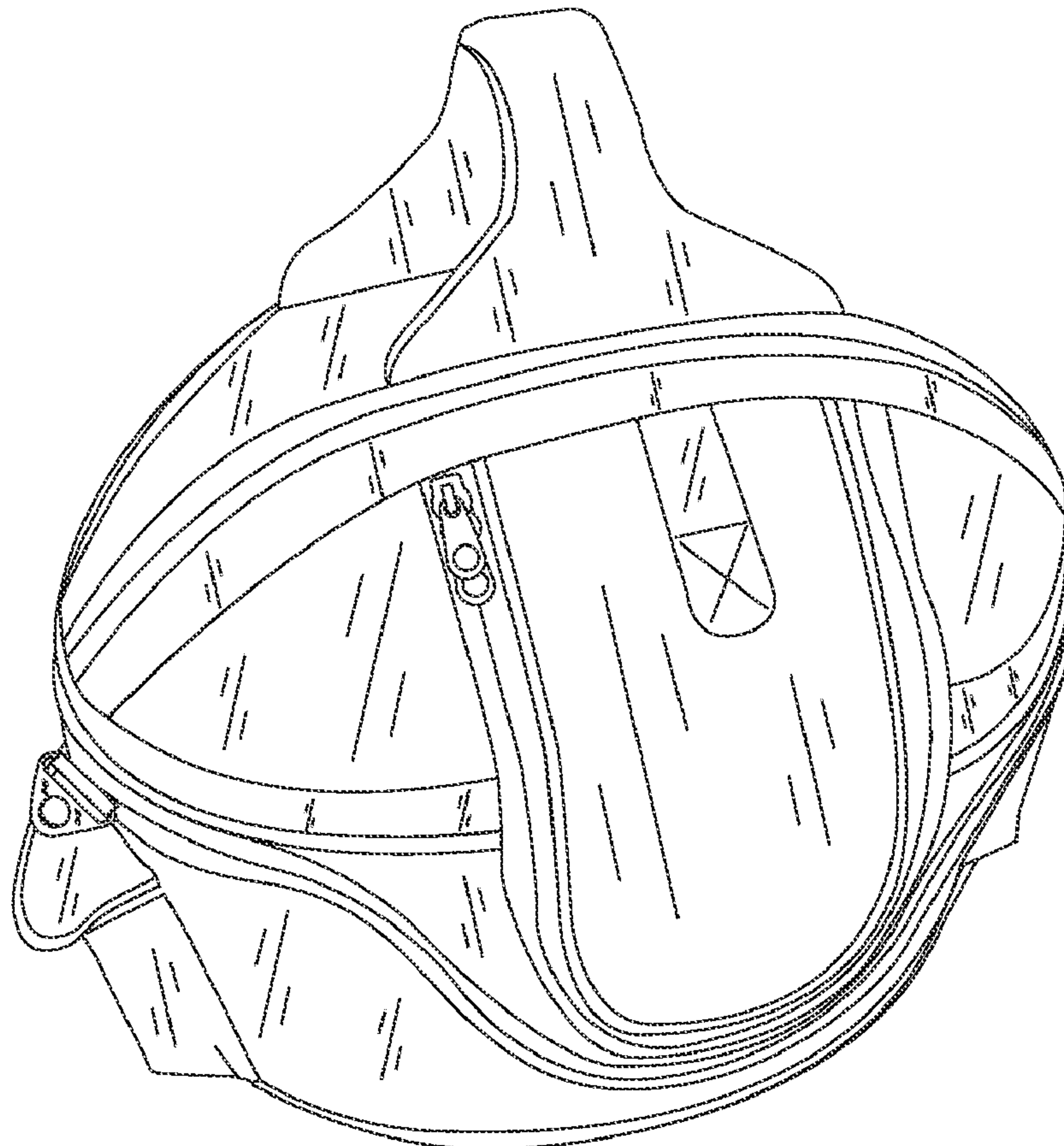
(57) **CLAIM**

I claim the ornamental design for a pet carrier, as shown and described.

**DESCRIPTION**

FIG. 1 shows the perspective view of the pet carrier showing my new design,  
FIG. 2 shows the top view thereof,  
FIG. 3 shows the bottom view thereof,  
FIG. 4 shows the right view thereof,  
FIG. 5 shows the left view thereof,  
FIG. 6 shows the rear view thereof; and,  
FIG. 7 shows the front view thereof.

**1 Claim, 7 Drawing Sheets**



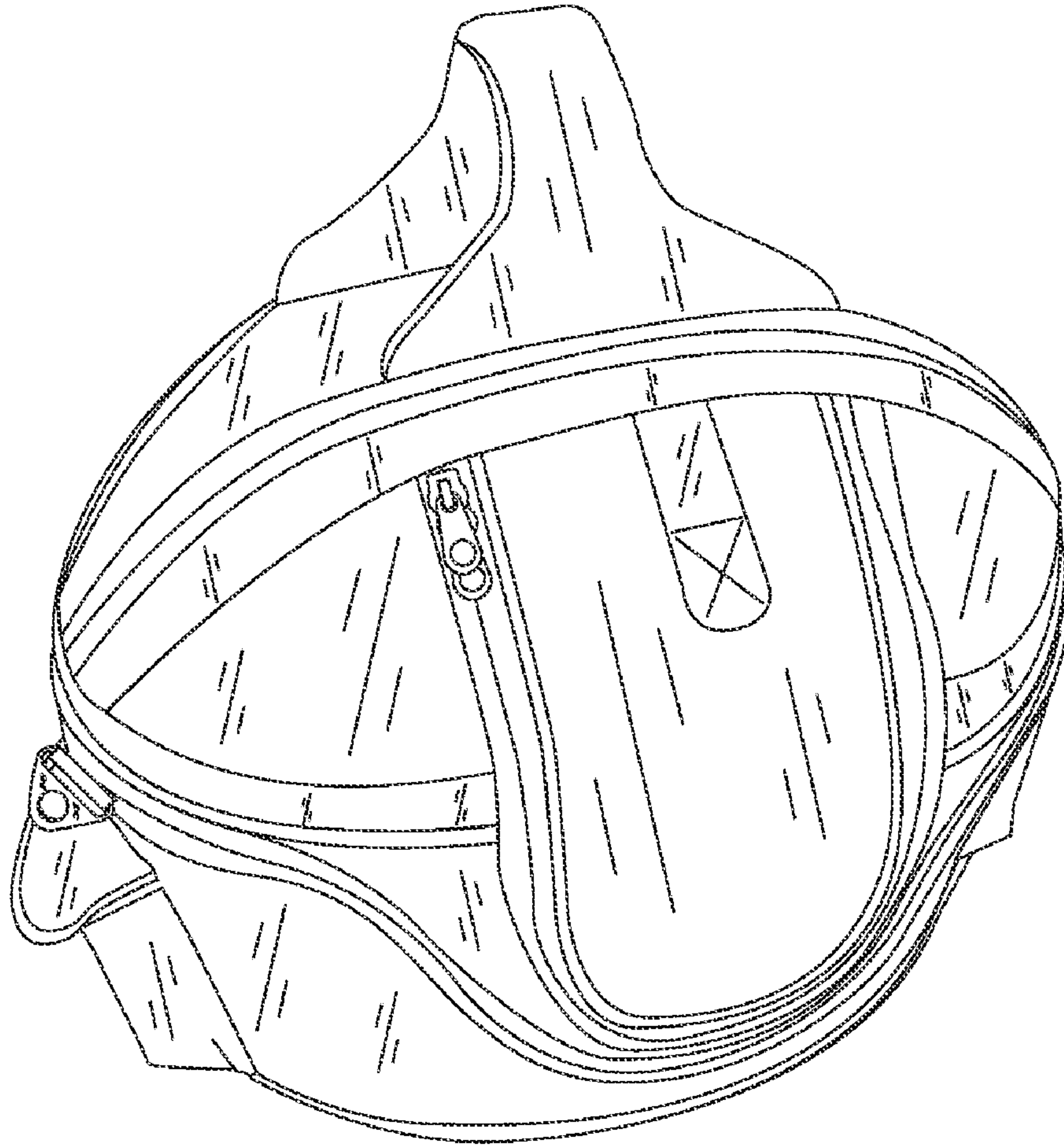


FIGURE 1

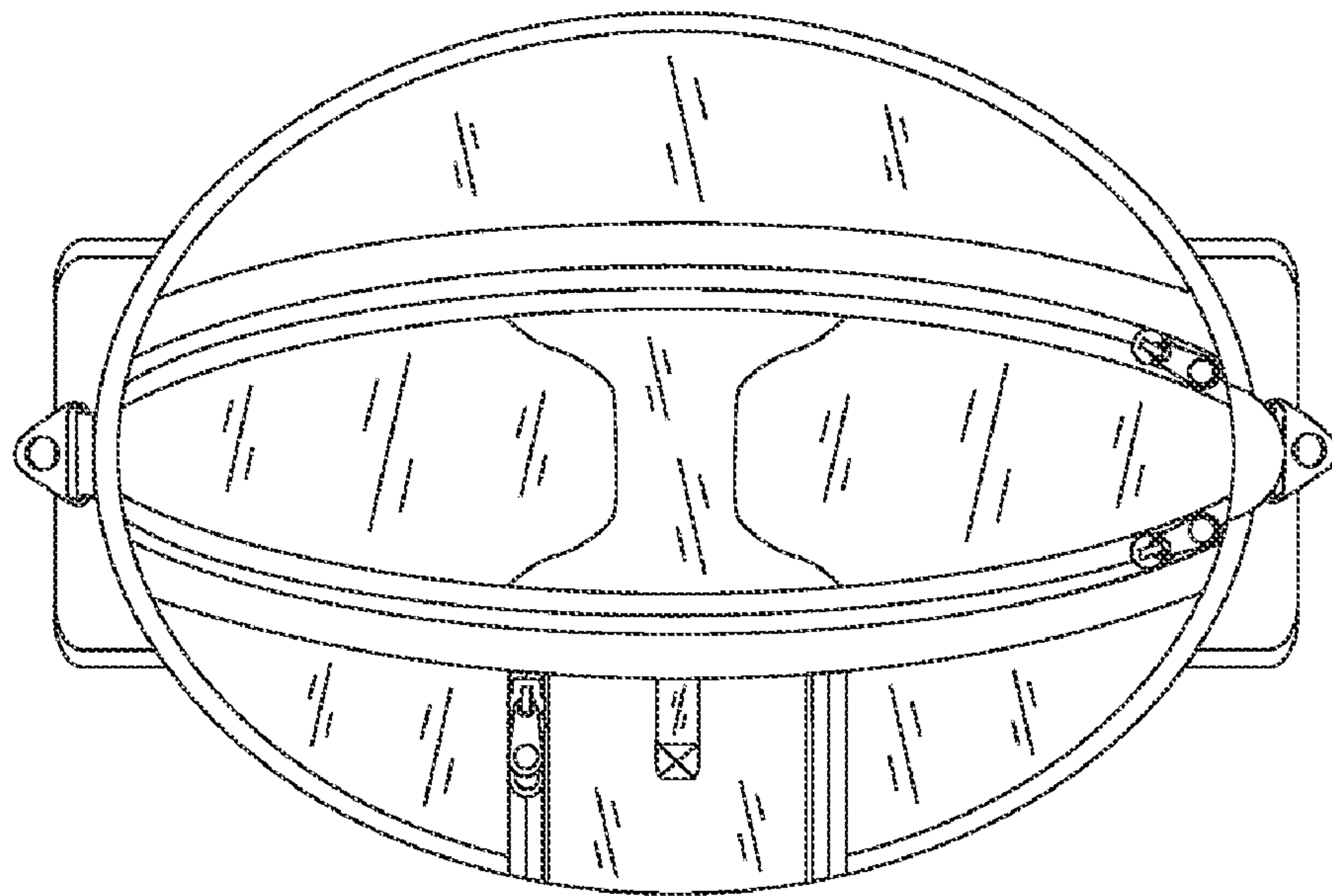


FIGURE 2

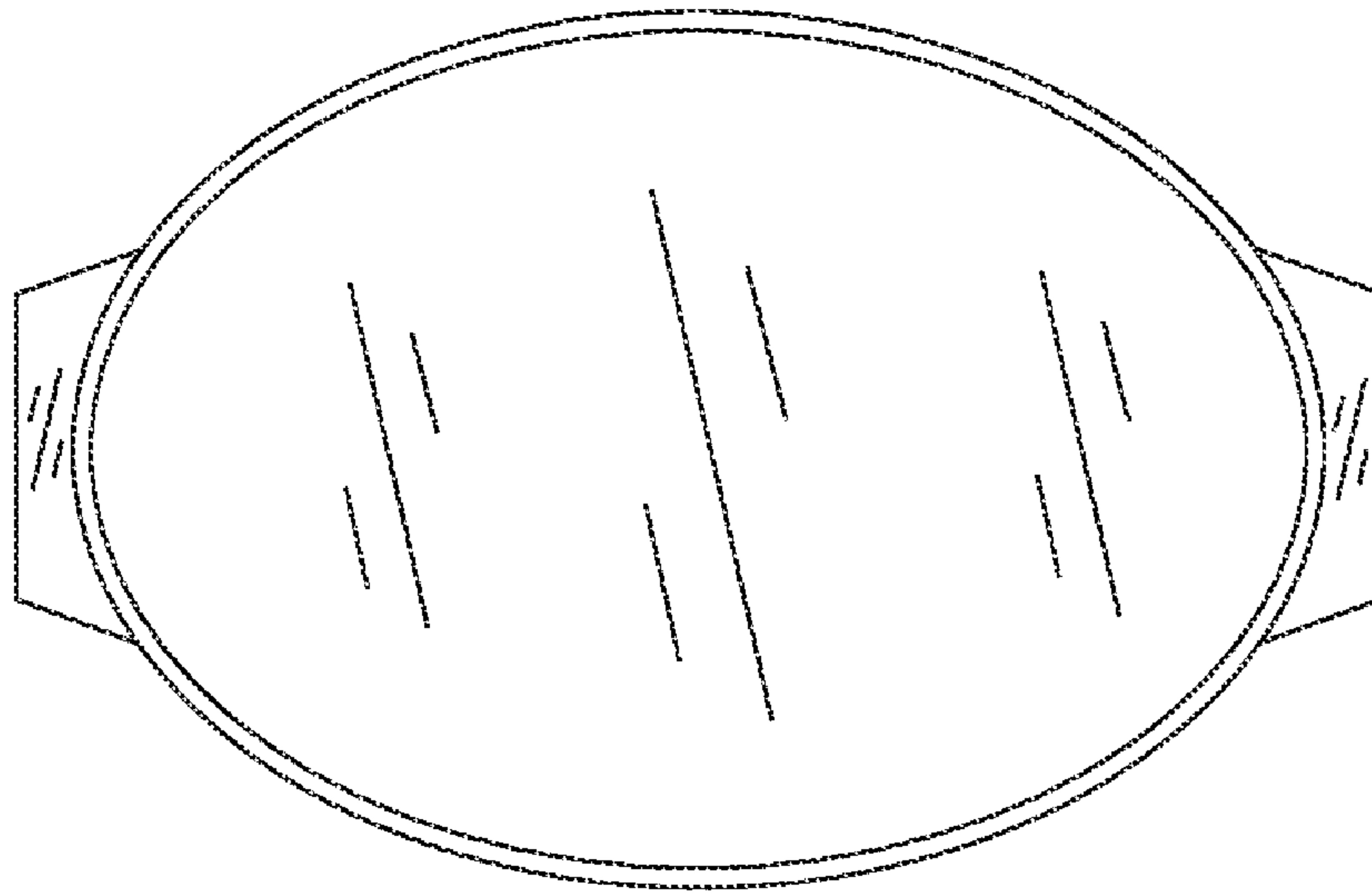


FIGURE 3

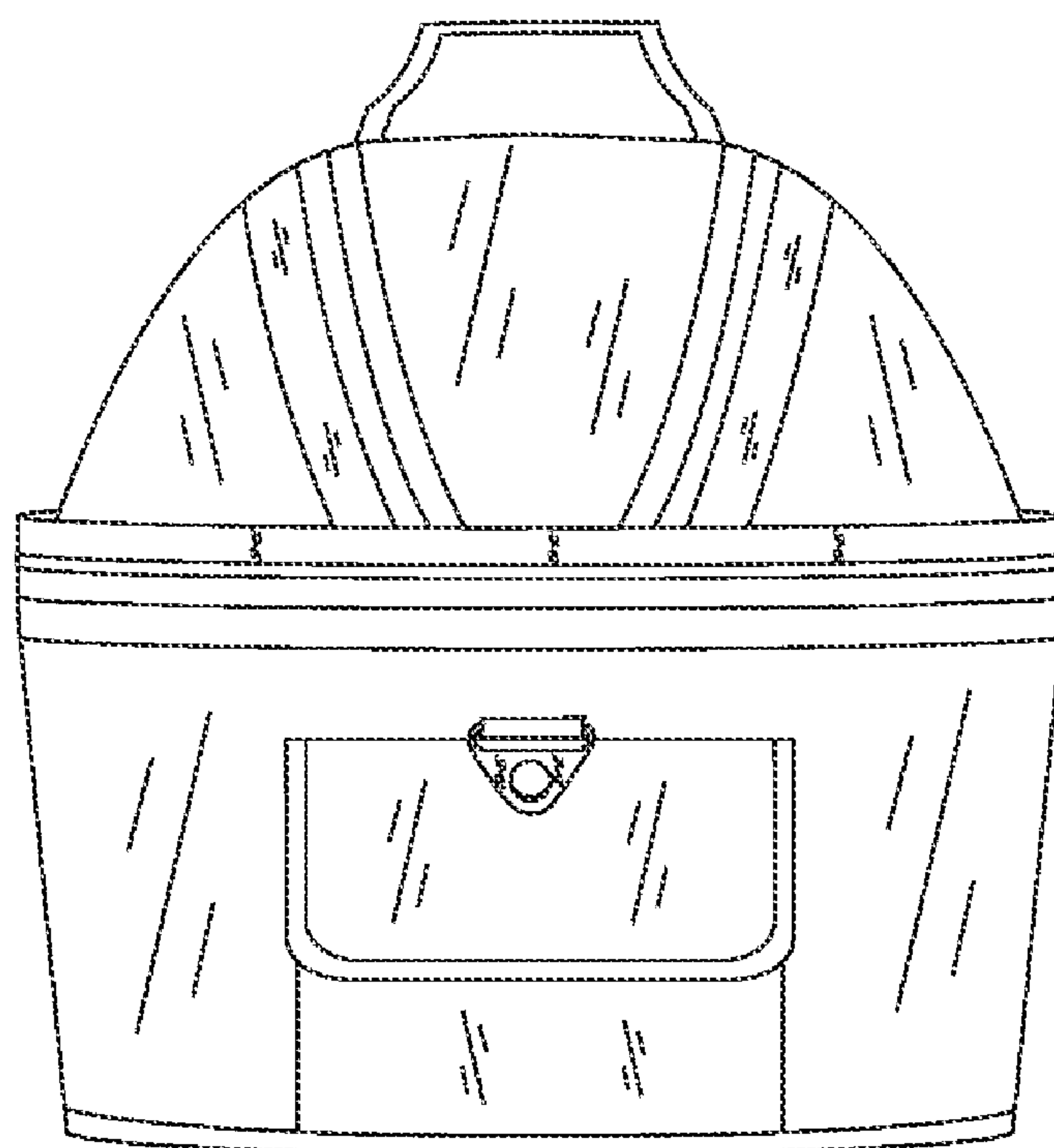


FIGURE 4



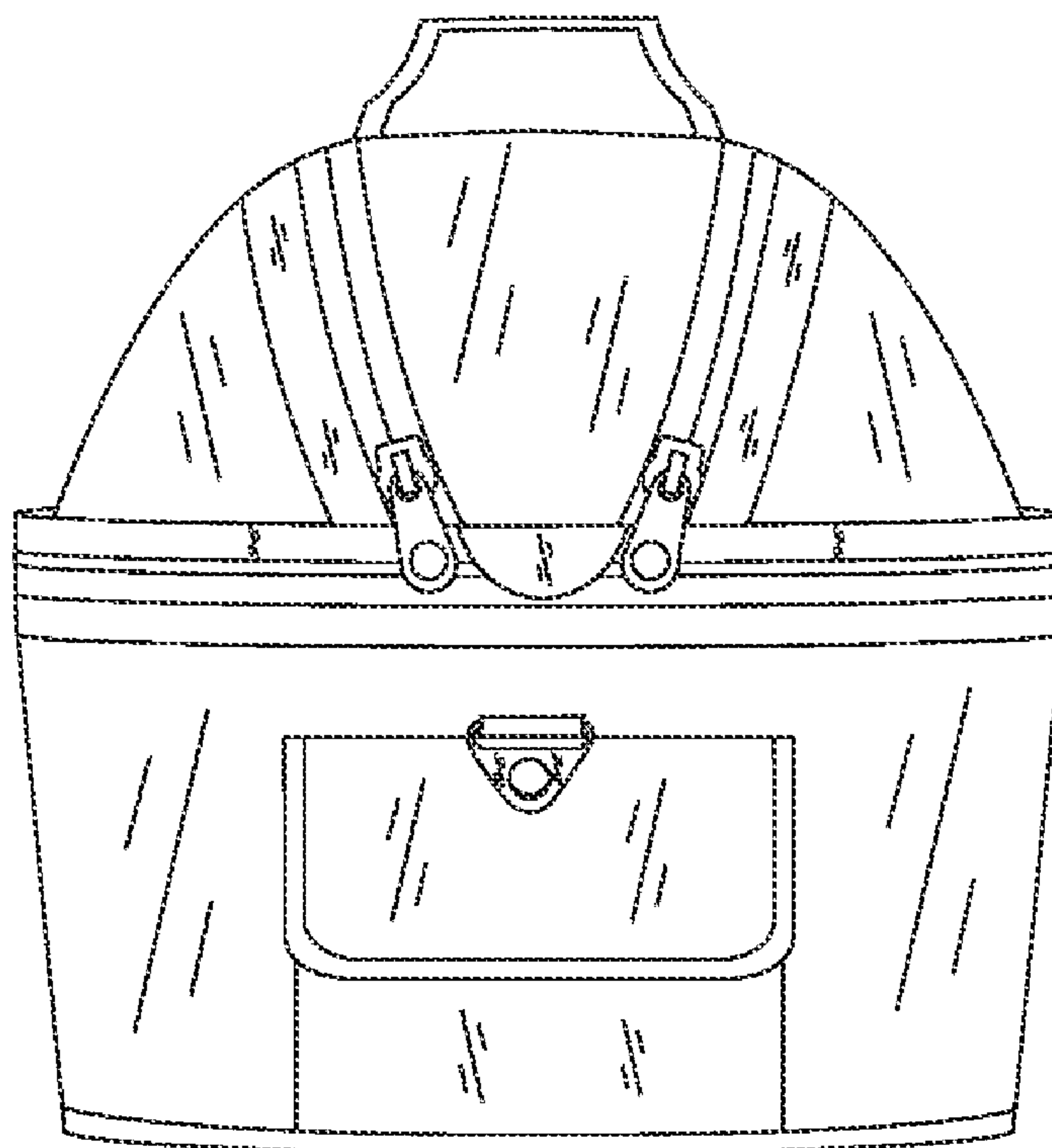


FIGURE 5

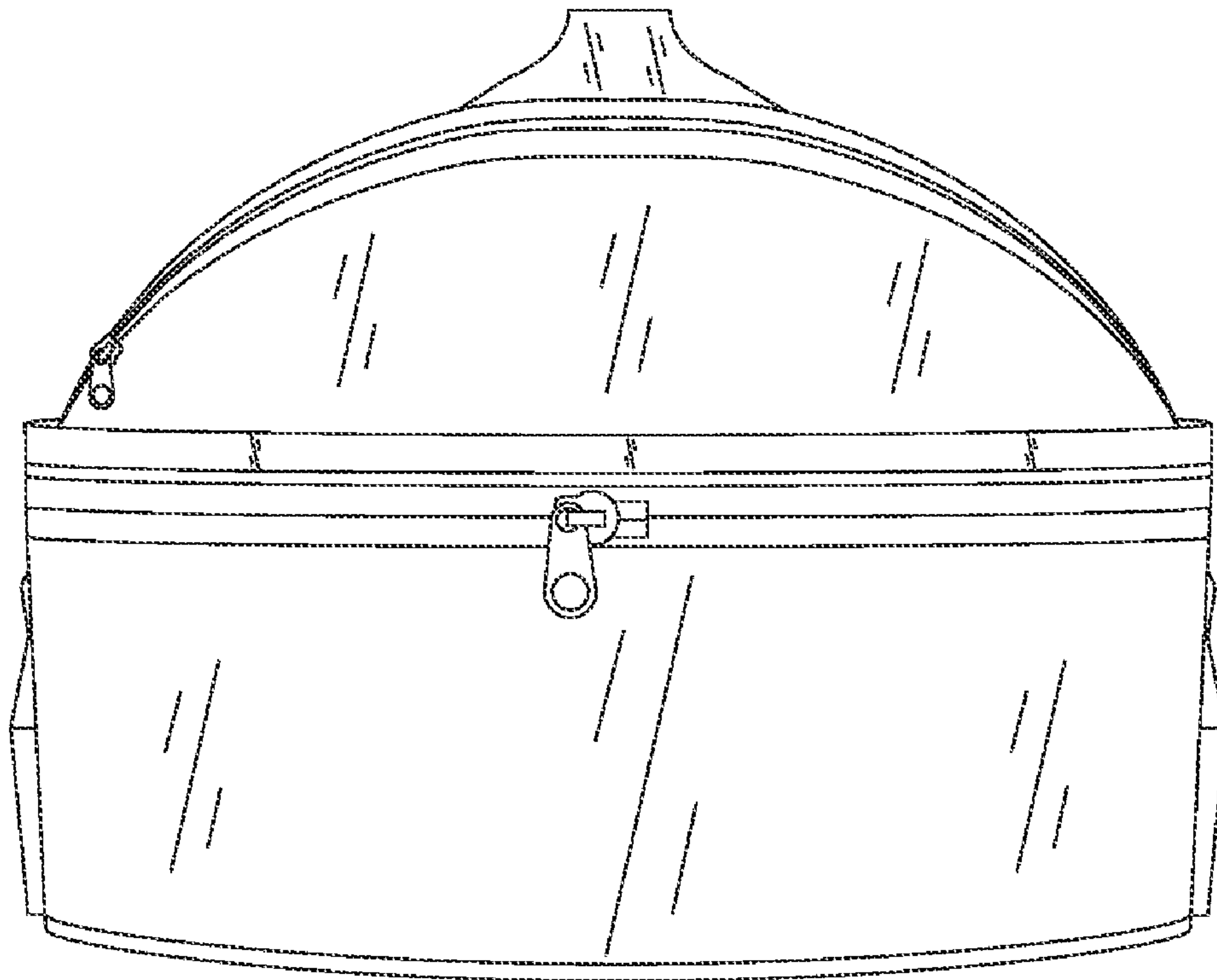


FIGURE 6

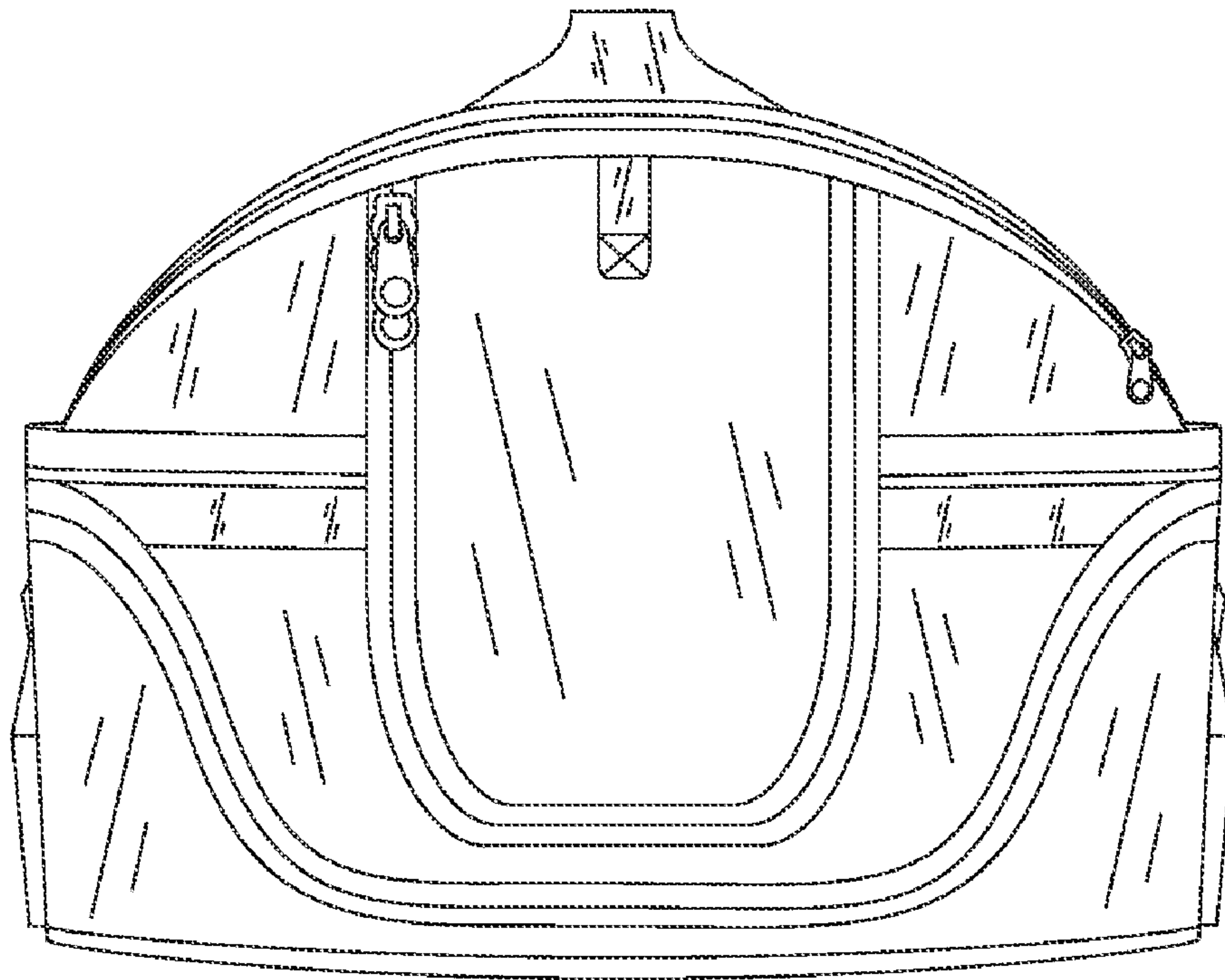


FIGURE 7