



US00D616610S

(12) **United States Design Patent**
Kilroy

(10) **Patent No.:** **US D616,610 S**
(45) **Date of Patent:** **** May 25, 2010**

(54) **COMBINED AQUARIUM AND ANIMAL EXHIBIT**

(76) Inventor: **Patrick F. Kilroy**, 68 Via De La Valle,
Lake Elsinore, CA (US) 92532

(**) Term: **14 Years**

(21) Appl. No.: **29/335,965**

(22) Filed: **Apr. 25, 2009**

(51) **LOC (9) Cl.** **30-02**

(52) **U.S. Cl.** **D30/104**

(58) **Field of Classification Search** D30/101-107;
D11/145; 119/245-248, 251-253, 258, 263,
119/265-267

See application file for complete search history.

(56) **References Cited**

U.S. PATENT DOCUMENTS

D253,729	S	*	12/1979	Ward	D30/105
D265,856	S	*	8/1982	Totten	D30/104
4,958,593	A	*	9/1990	Hurlburt et al.	119/246
D340,550	S	*	10/1993	Teats	D30/104
D347,913	S	*	6/1994	Wellington et al.	D30/108
D356,979	S	*	4/1995	Rahr	D11/155

D397,522	S	*	8/1998	Bishop	D30/101
6,363,889	B1	*	4/2002	Lamendola	119/246
D473,347	S	*	4/2003	Vines	D30/104
7,025,018	B2	*	4/2006	Goossen	119/246
7,073,463	B1	*	7/2006	Blakely	119/246
D566,342	S	*	4/2008	Kilroy	D30/104
D566,906	S	*	4/2008	Rogers	D30/108
D570,555	S	*	6/2008	Kilroy	D30/104
D571,052	S	*	6/2008	Kilroy	D30/104
D572,413	S	*	7/2008	Kilroy	D30/104
D577,463	S	*	9/2008	Kilroy	D30/101
D580,108	S	*	11/2008	Kilroy	D30/104
D590,549	S	*	4/2009	Kilroy	D30/104

* cited by examiner

Primary Examiner—Mitchell I Siegel

(57) **CLAIM**

The ornamental design of a combined aquarium and animal exhibit, as shown and described.

DESCRIPTION

FIG. 1 is a perspective view of a combined aquarium and animal exhibit showing my new design; and,

FIG. 2 is a top plan view thereof.

1 Claim, 1 Drawing Sheet

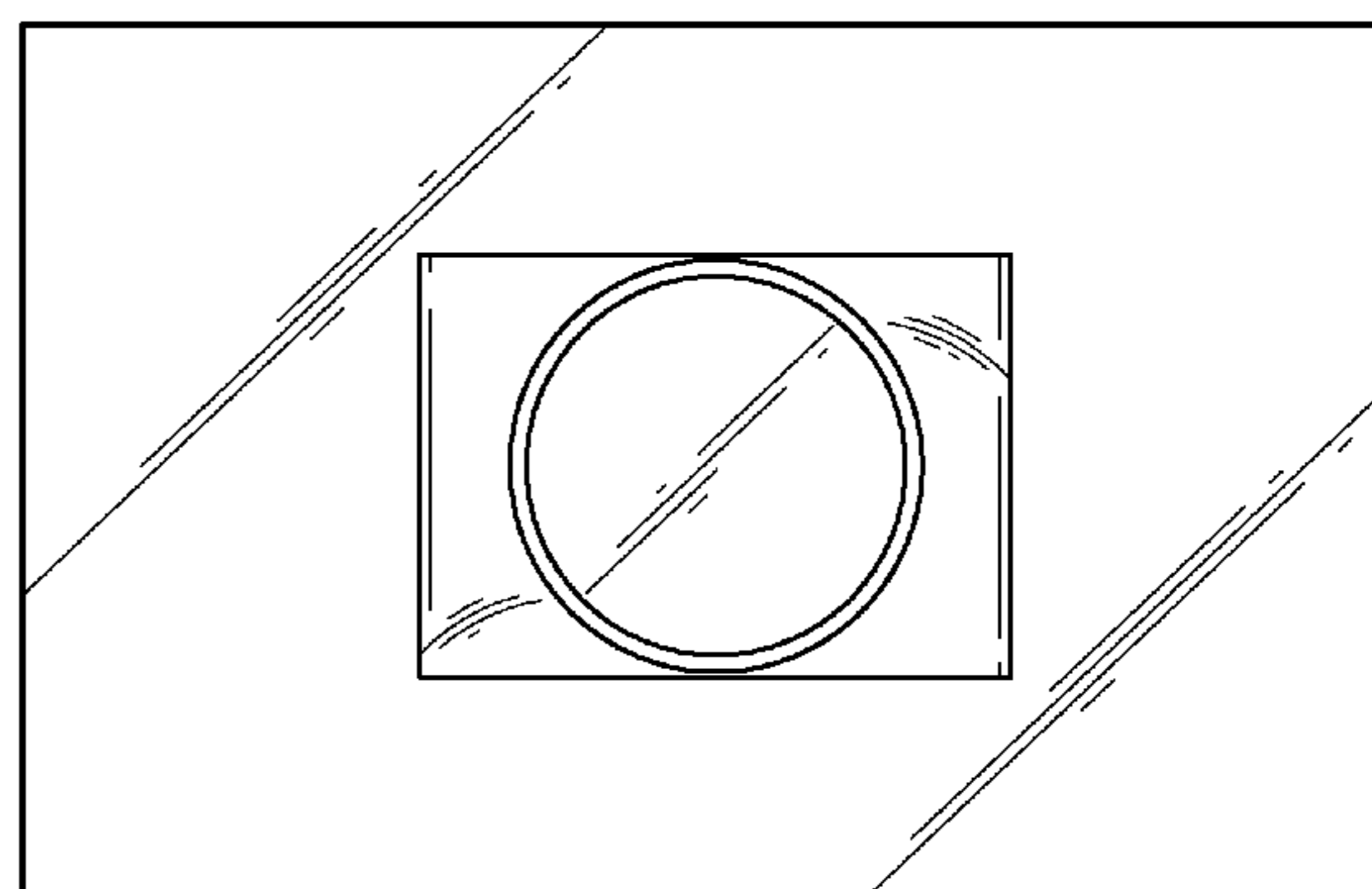
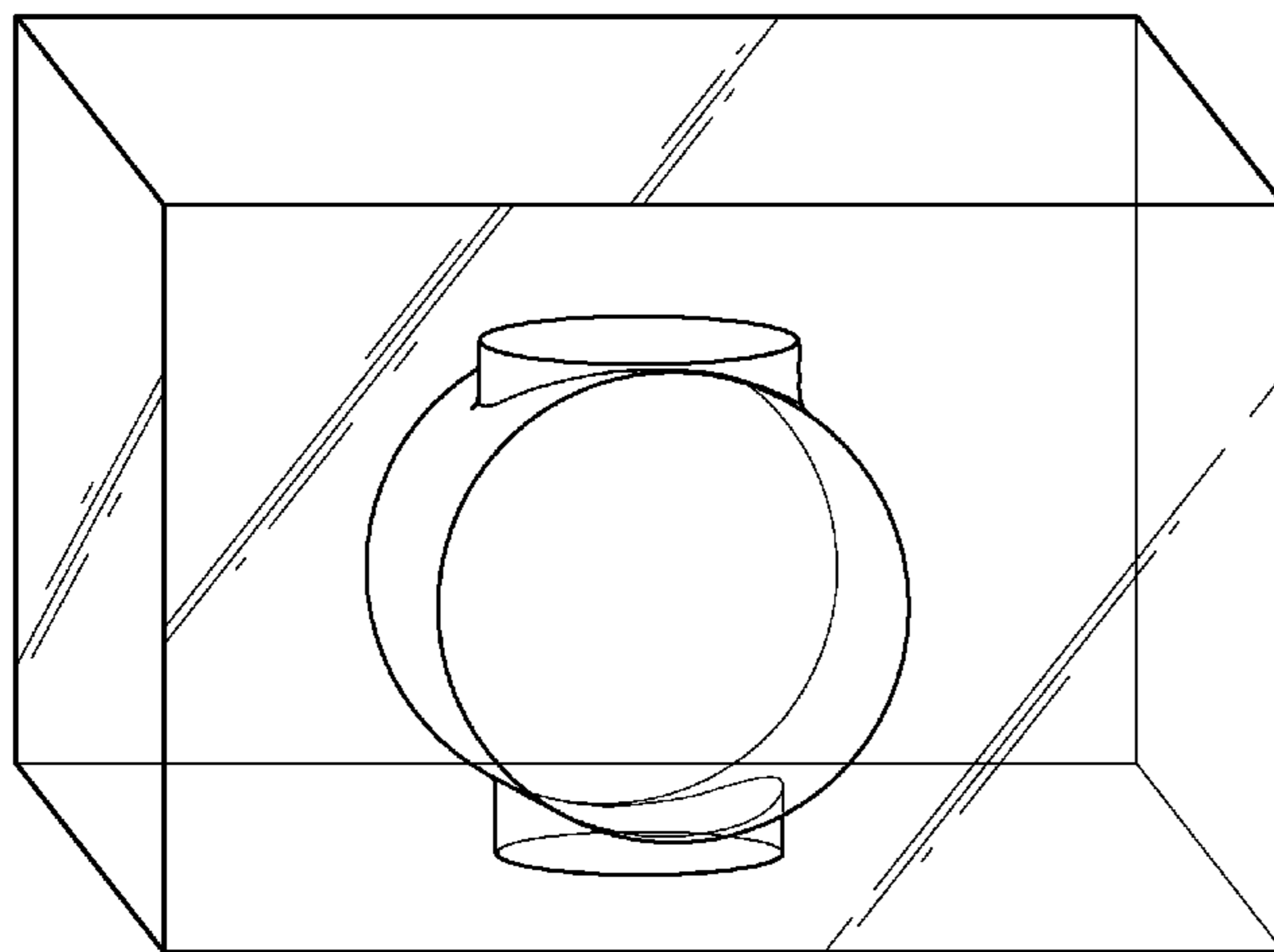


FIG. 1

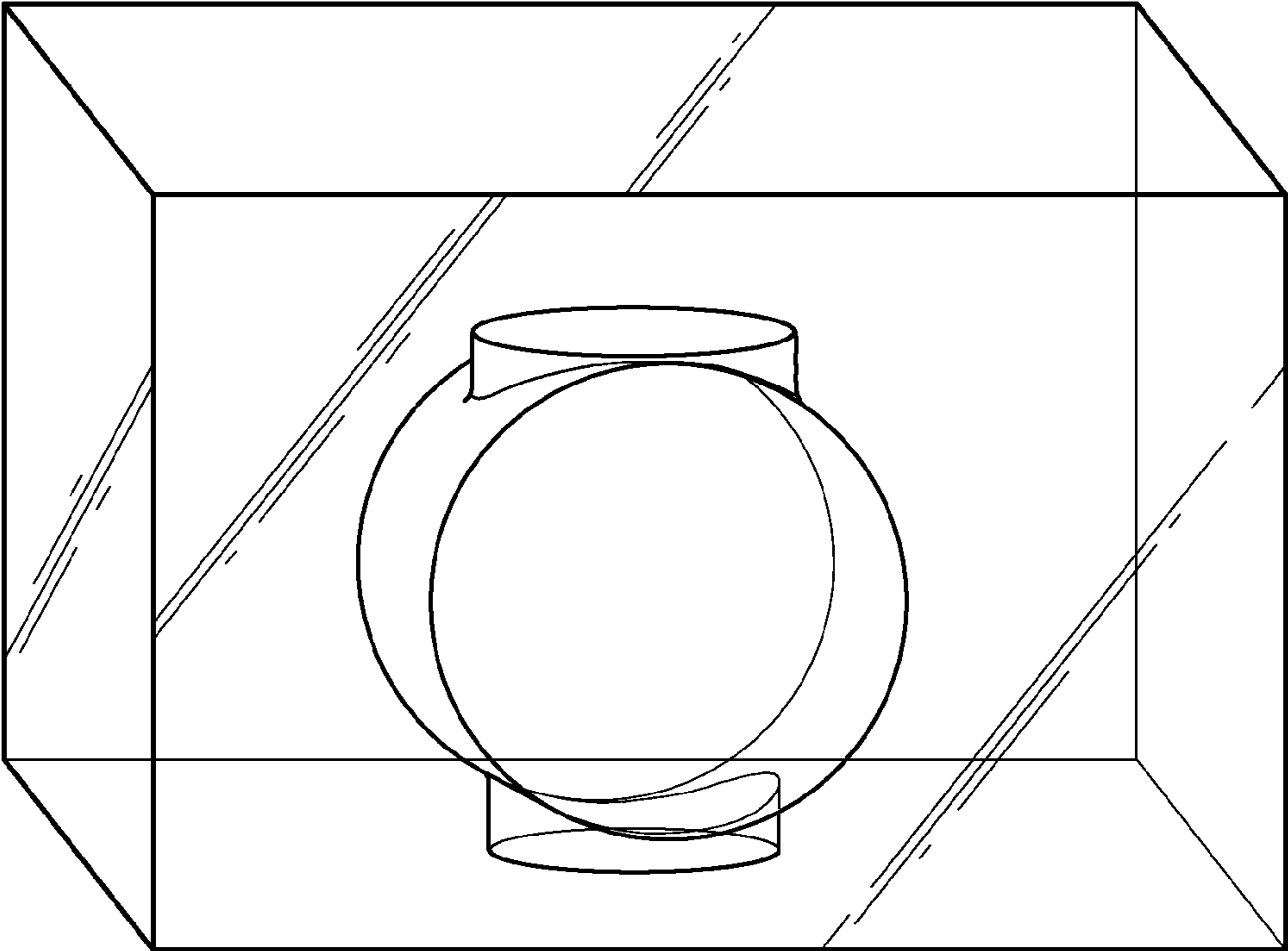


FIG. 2

