



US00D616609S

(12) **United States Design Patent**  
**Copeland**

(10) **Patent No.:** **US D616,609 S**

(45) **Date of Patent:** **\*\* May 25, 2010**

(54) **PROTECTIVE COVERING FOR AN EAR GUARD**

(75) Inventor: **Steve A. Copeland**, Barrie (CA)

(73) Assignee: **Henson Company, Inc.**, Sinking Spring, PA (US)

(\*\*) Term: **14 Years**

(21) Appl. No.: **29/328,868**

(22) Filed: **Dec. 3, 2008**

(51) **LOC (9) Cl.** ..... **29-02**

(52) **U.S. Cl.** ..... **D29/112**

(58) **Field of Classification Search** ..... D29/102-112;  
2/410-414, 416, 422-425, 9-10; D24/110.1-110.4,  
D24/19.1, 173, 135, 189; 128/857-858,  
128/206.28, 207.11, 207.17

See application file for complete search history.

(56) **References Cited**

**U.S. PATENT DOCUMENTS**

4,713,843	A *	12/1987	Duncan	.....	2/209
4,872,219	A *	10/1989	Duncan	.....	2/209
D400,311	S *	10/1998	Chartrand	.....	D29/122
5,898,945	A *	5/1999	Weiser	.....	2/209
6,055,672	A *	5/2000	Natvig	.....	2/209
D476,450	S *	6/2003	Keen et al.	.....	D29/122
D512,797	S *	12/2005	Canavan et al.	.....	D29/122
D547,910	S *	7/2007	Purnell	.....	D29/122

D548,405	S *	8/2007	Purnell	.....	D29/122
D551,809	S *	9/2007	Purnell	.....	D29/122
D594,601	S *	6/2009	Briggs	.....	D29/112
7,614,089	B2 *	11/2009	Hillman-Schwartz et al.	..	2/174
7,617,543	B2 *	11/2009	LeGette et al.	.....	2/209
2006/0143806	A1 *	7/2006	Purnell	.....	2/425

\* cited by examiner

*Primary Examiner*—Elizabeth A. Albert

*Assistant Examiner*—Kelley A Donnelly

(74) *Attorney, Agent, or Firm*—Sand & Sebolt

(57) **CLAIM**

The ornamental design for a protective covering for an ear guard, as shown and described.

**DESCRIPTION**

FIG. 1 is a front view of a protective covering for an ear guard of the present invention;

FIG. 2 is a bottom plan view of the protective covering;

FIG. 3 is a top plan view of the protective covering;

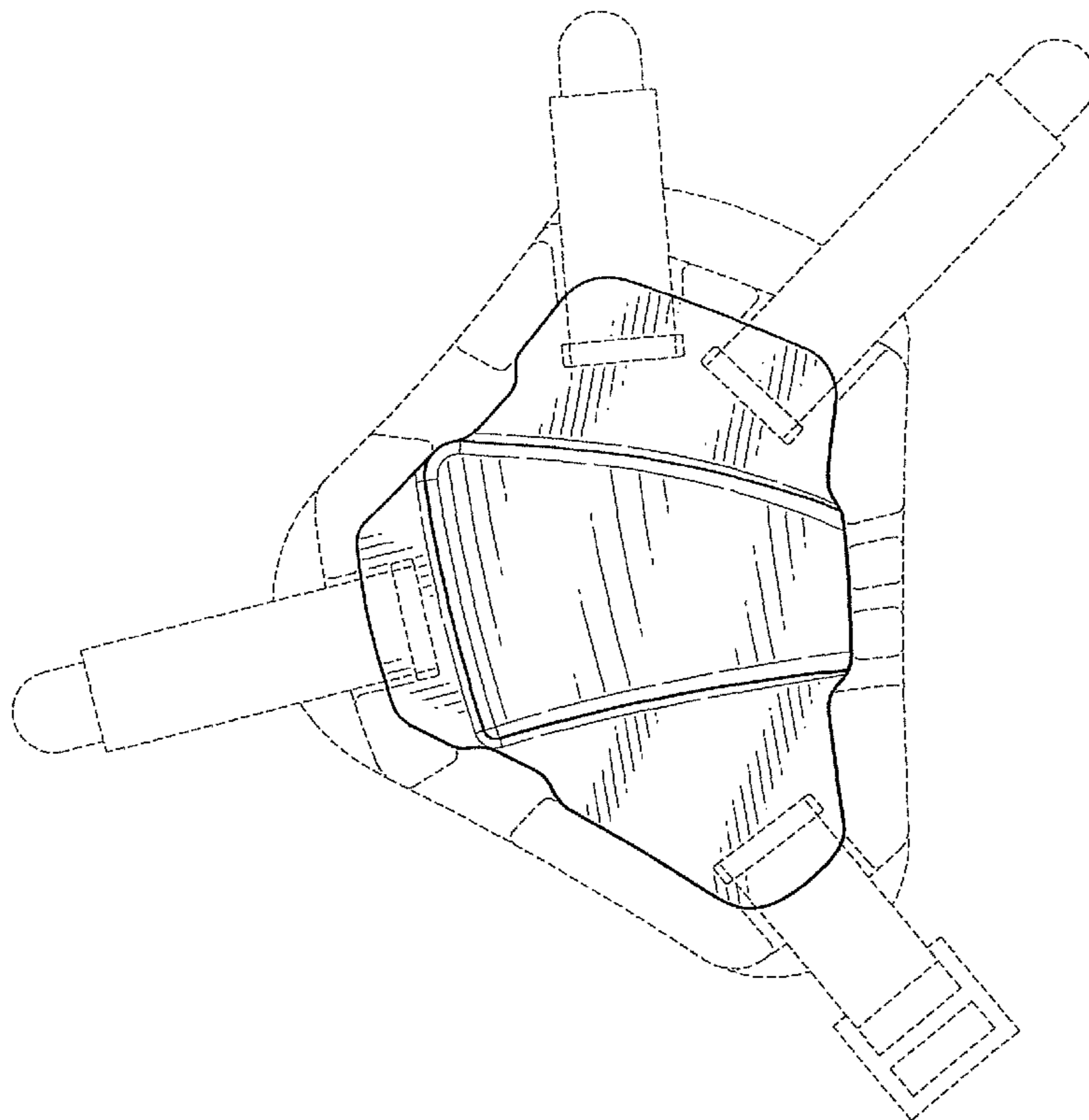
FIG. 4 is a rear plan view of the protective covering;

FIG. 5 is a right side plan view of the protective covering; and,

FIG. 6 is a left side plan view of the protective covering.

The broken lines showing “fasteners” and the backing are for environmental purposes only and form no part of the claimed design.

**1 Claim, 2 Drawing Sheets**



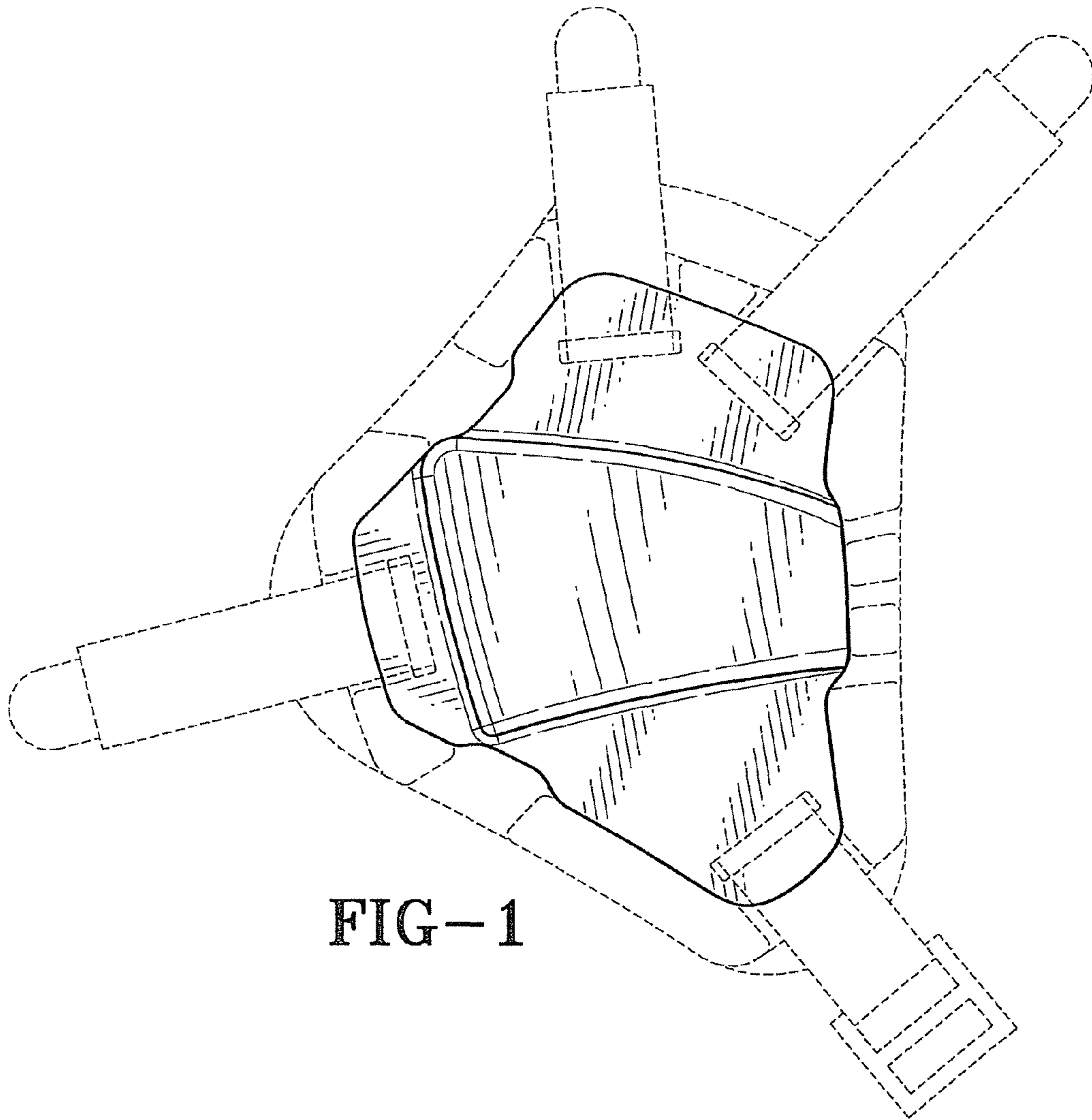


FIG-1

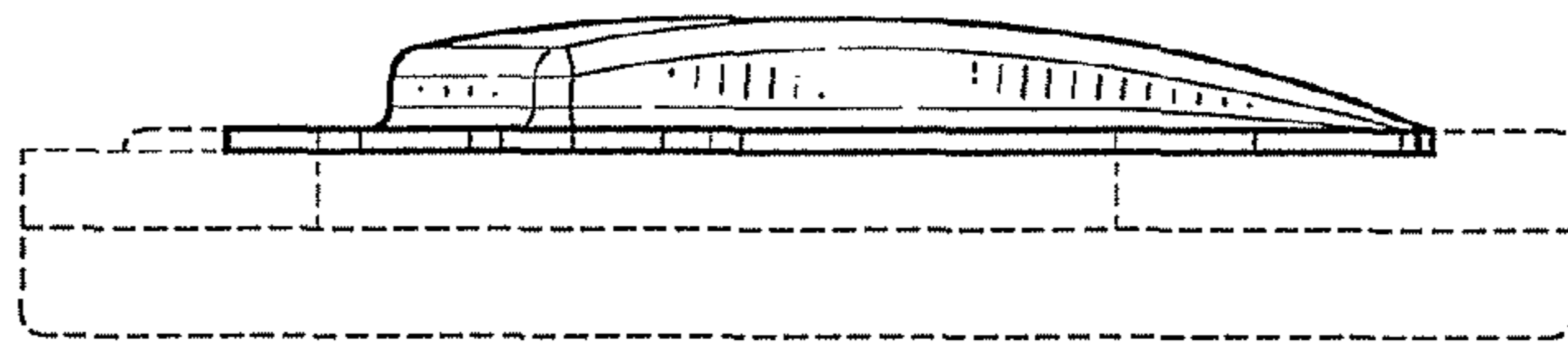


FIG-2



FIG-3

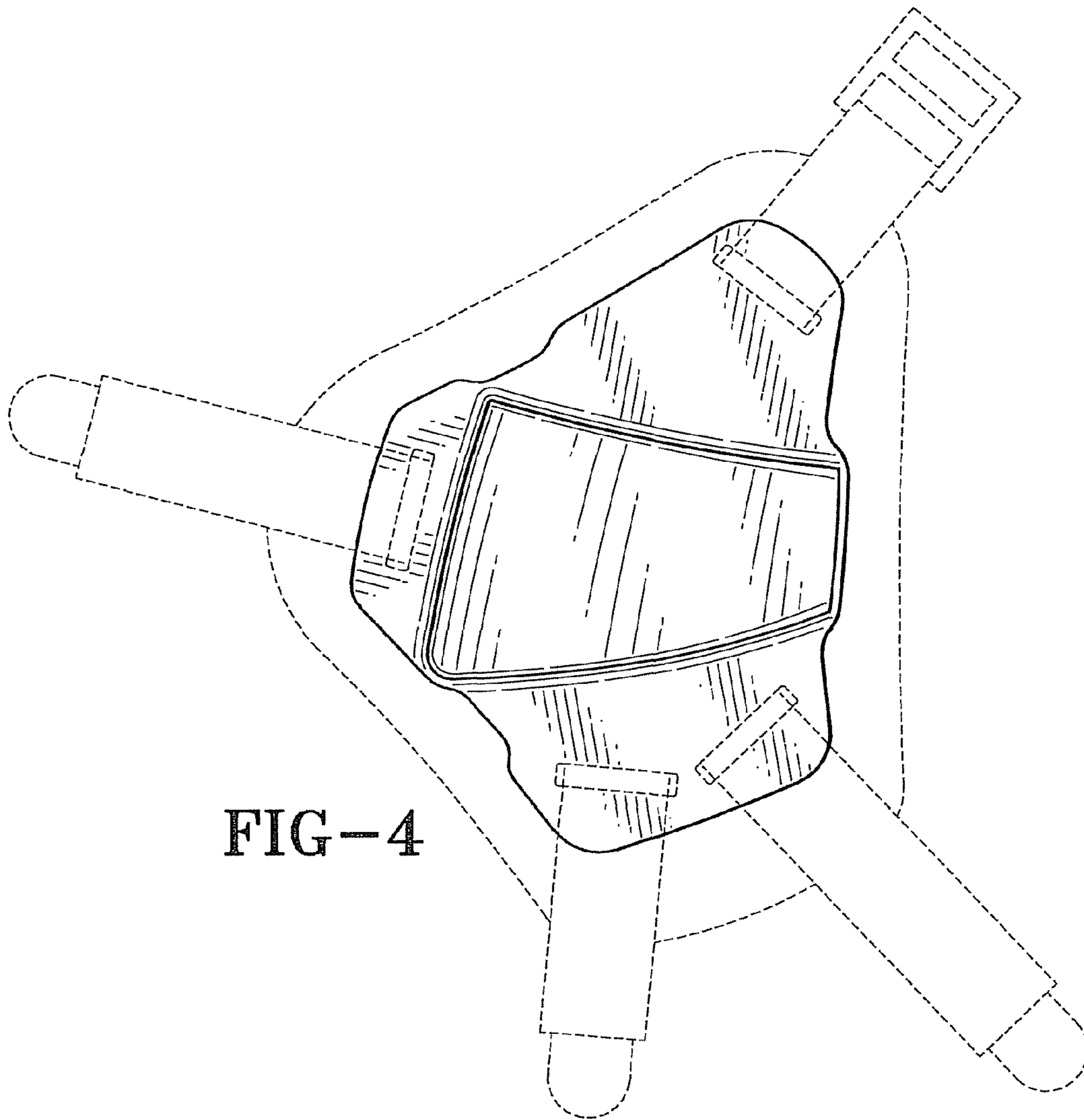


FIG-4

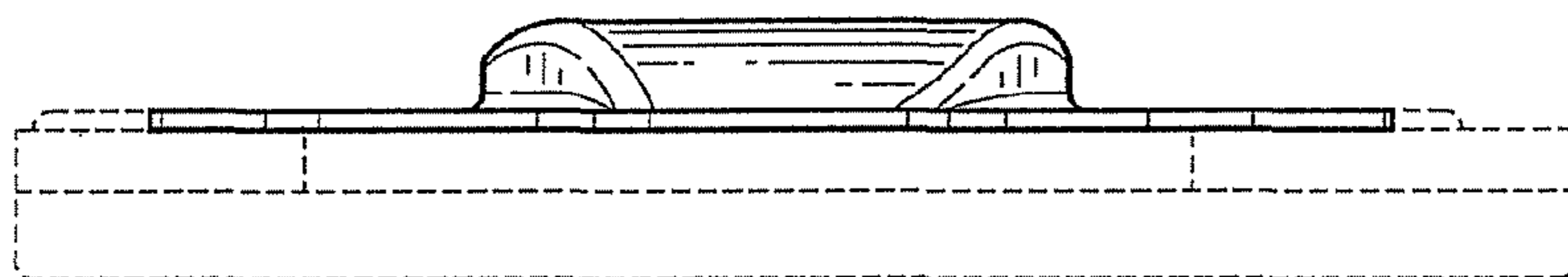


FIG-5

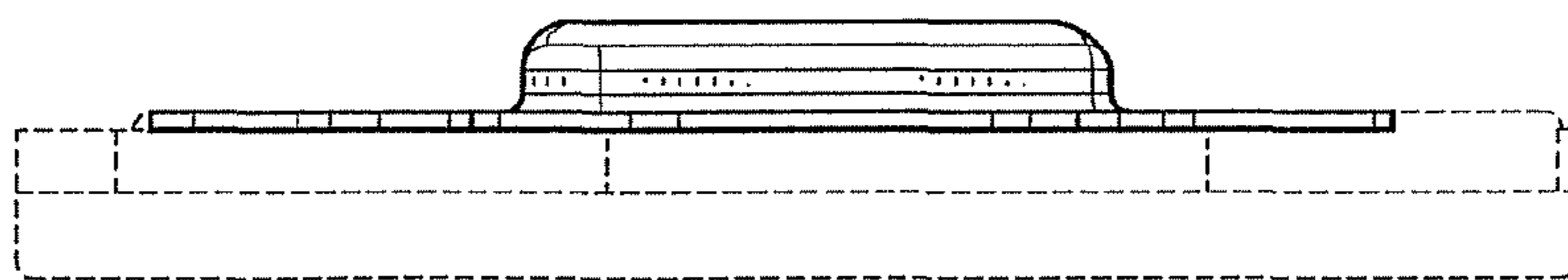


FIG-6